



US00D883480S

(12) **United States Design Patent**
Leibowitz et al.

(10) **Patent No.:** **US D883,480 S**

(45) **Date of Patent:** **** May 5, 2020**

- (54) **SURGICAL TOOL HANDLE**
- (71) Applicant: **Shukla Medical**, St. Petersburg, FL
(US)
- (72) Inventors: **Evan G. Leibowitz**, Linden, NJ (US);
Zachary Robert Sweitzer, Keyport, NJ
(US)
- (73) Assignee: **Shukla Medical**, St. Petersburg, FL
(US)
- (**) Term: **15 Years**
- (21) Appl. No.: **29/670,719**
- (22) Filed: **Nov. 19, 2018**
- (51) **LOC (12) Cl.** **24-02**
- (52) **U.S. Cl.**
USPC **D24/133**
- (58) **Field of Classification Search**
USPC D24/108, 112, 113-117, 127, 133, 134,
D24/136, 137, 138, 143, 145, 200;
D8/14, 16, 19, 21, 82, 83, 84, 85, 86,
D8/107, 34, 300, 303, 314, 372, 374, 394,
D8/77
CPC A61M 25/0136; A61B 17/00; A61B 17/62;
A61B 17/64; A61B 17/645
See application file for complete search history.

- D734,115 S * 7/2015 Robinson D8/83
- D771,249 S * 11/2016 Heath D24/133
- D786,647 S * 5/2017 Bast D24/133
- D787,296 S * 5/2017 Zimmer D8/307
- D799,302 S * 10/2017 Bast D8/107
- D800,529 S * 10/2017 Leibowitz D8/83
- D839,066 S * 1/2019 Bast D8/14
- D845,740 S * 4/2019 Bast D8/107
- D856,513 S * 8/2019 Taylor D24/133
- D857,195 S * 8/2019 Taylor D24/133

(Continued)

Primary Examiner — Brett Miller
Assistant Examiner — Yolanda Robinson
(74) *Attorney, Agent, or Firm* — Kim IP Law Group
PLLC

(56) **References Cited**

U.S. PATENT DOCUMENTS

- 6,151,998 A * 11/2000 Fu-Hui B25G 1/085
81/177.1
- 7,272,999 B2 * 9/2007 Cutler B25B 15/02
81/467
- D613,144 S * 4/2010 Lin D8/107
- D646,783 S * 10/2011 Bast D24/133
- D673,831 S * 1/2013 Molina D8/83
- D707,356 S * 6/2014 Vonck D24/133
- 8,834,480 B2 * 9/2014 Hudak, Jr. A61F 2/4609
606/86 R
- D715,431 S * 10/2014 Vonck D24/133

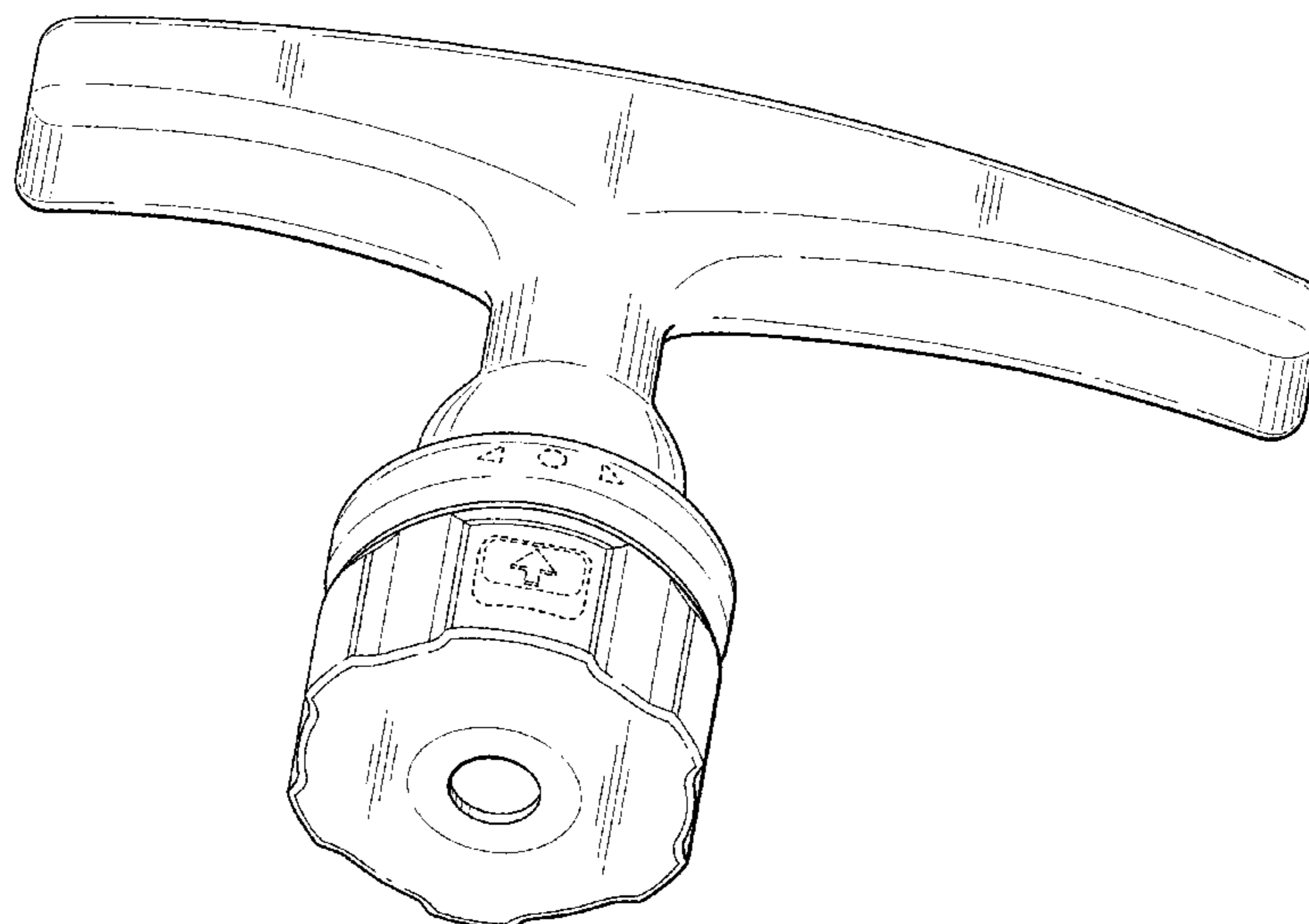
(57) **CLAIM**

The ornamental design for a surgical tool handle, as shown and described.

DESCRIPTION

FIG. 1 is a bottom perspective view of a surgical tool handle in accordance with the new design;
FIG. 2 is front elevational view of the surgical tool handle of FIG. 1;
FIG. 3 is a rear elevational view of the surgical tool handle of FIG. 1;
FIG. 4 is a right side elevational view of the surgical tool handle of FIG. 1;
FIG. 5 is a left side elevational view of the surgical tool handle of FIG. 1;
FIG. 6 is a top plan view of the surgical tool handle of FIG. 1; and,
FIG. 7 is a bottom plan view of the surgical tool handle of FIG. 1.
The broken lines in FIGS. 1, 2 and 4-7 illustrate portions of the surgical tool handle which form no part of the claimed design.

1 Claim, 6 Drawing Sheets



(56)

References Cited

U.S. PATENT DOCUMENTS

2010/0288087 A1* 11/2010 Lai B25G 1/085
81/490

* cited by examiner

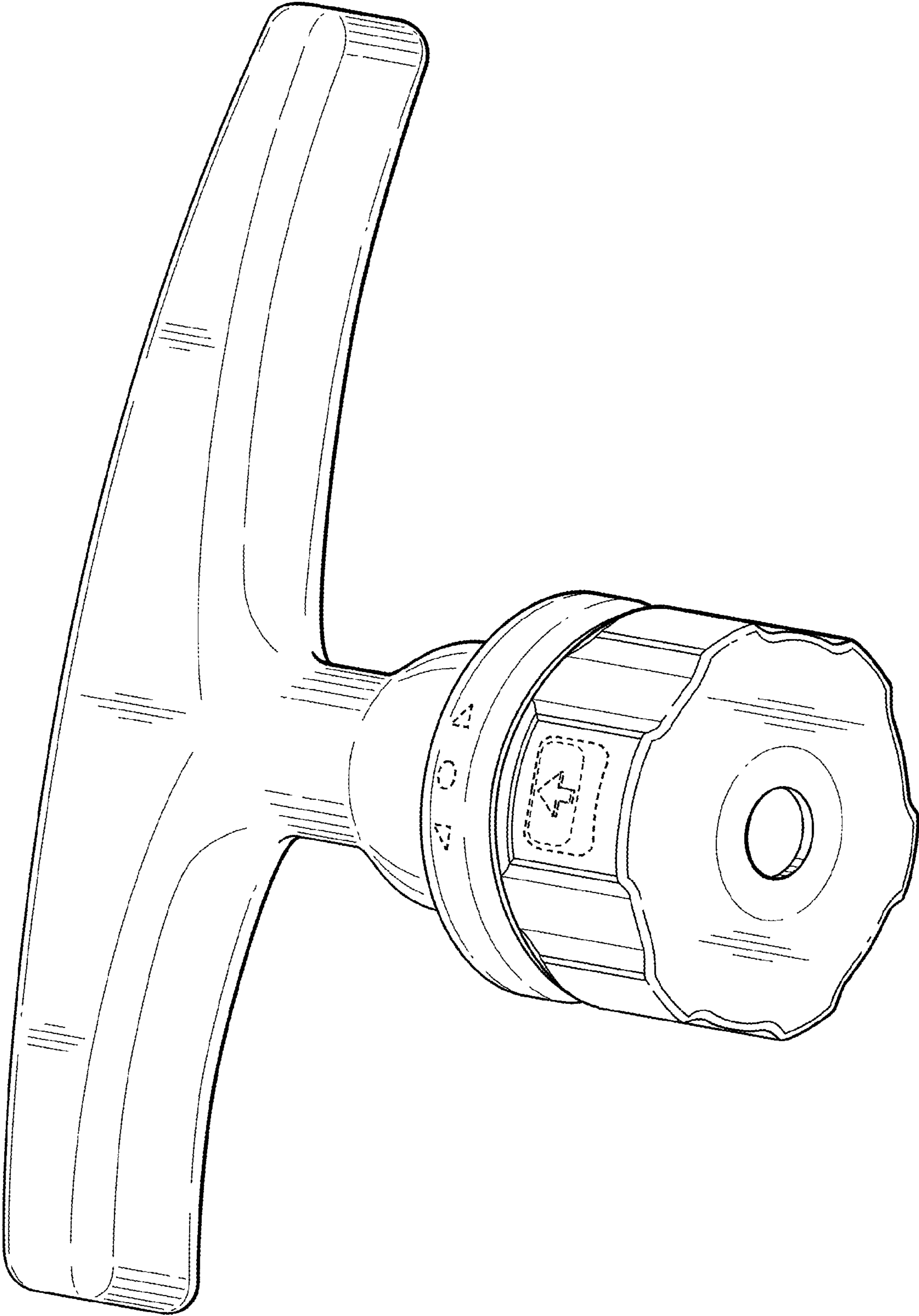


FIG. 1

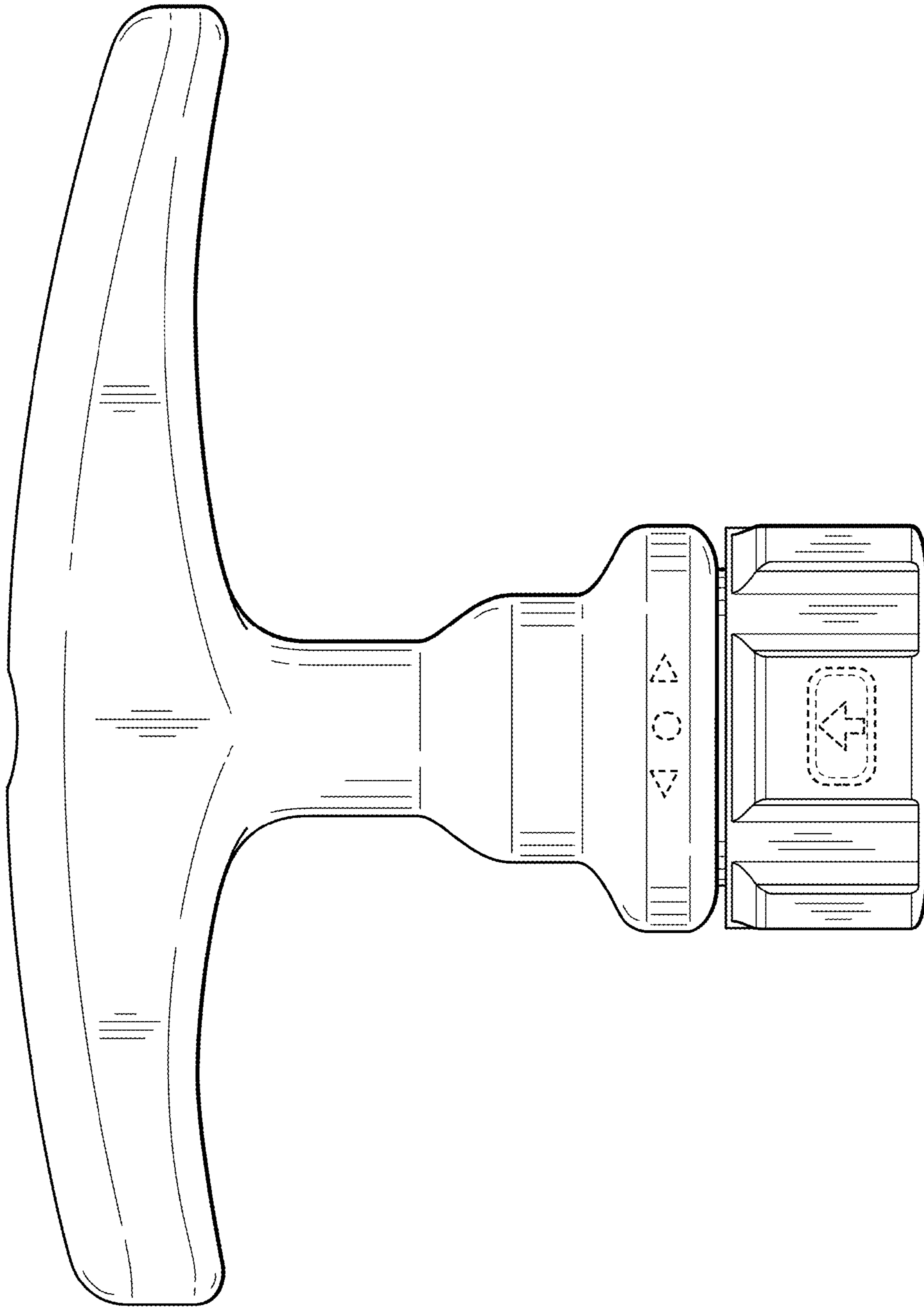


FIG. 2

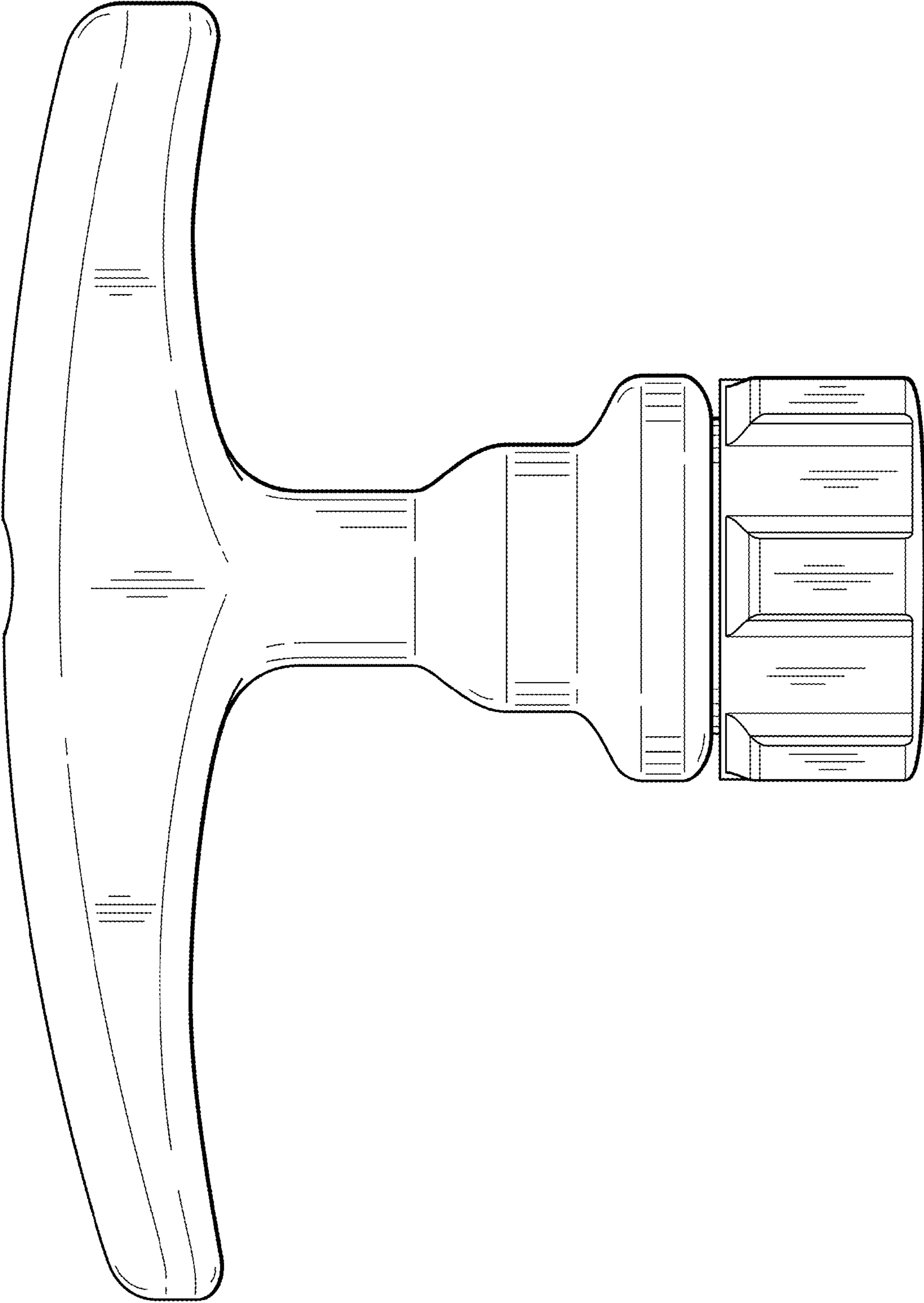


FIG. 3

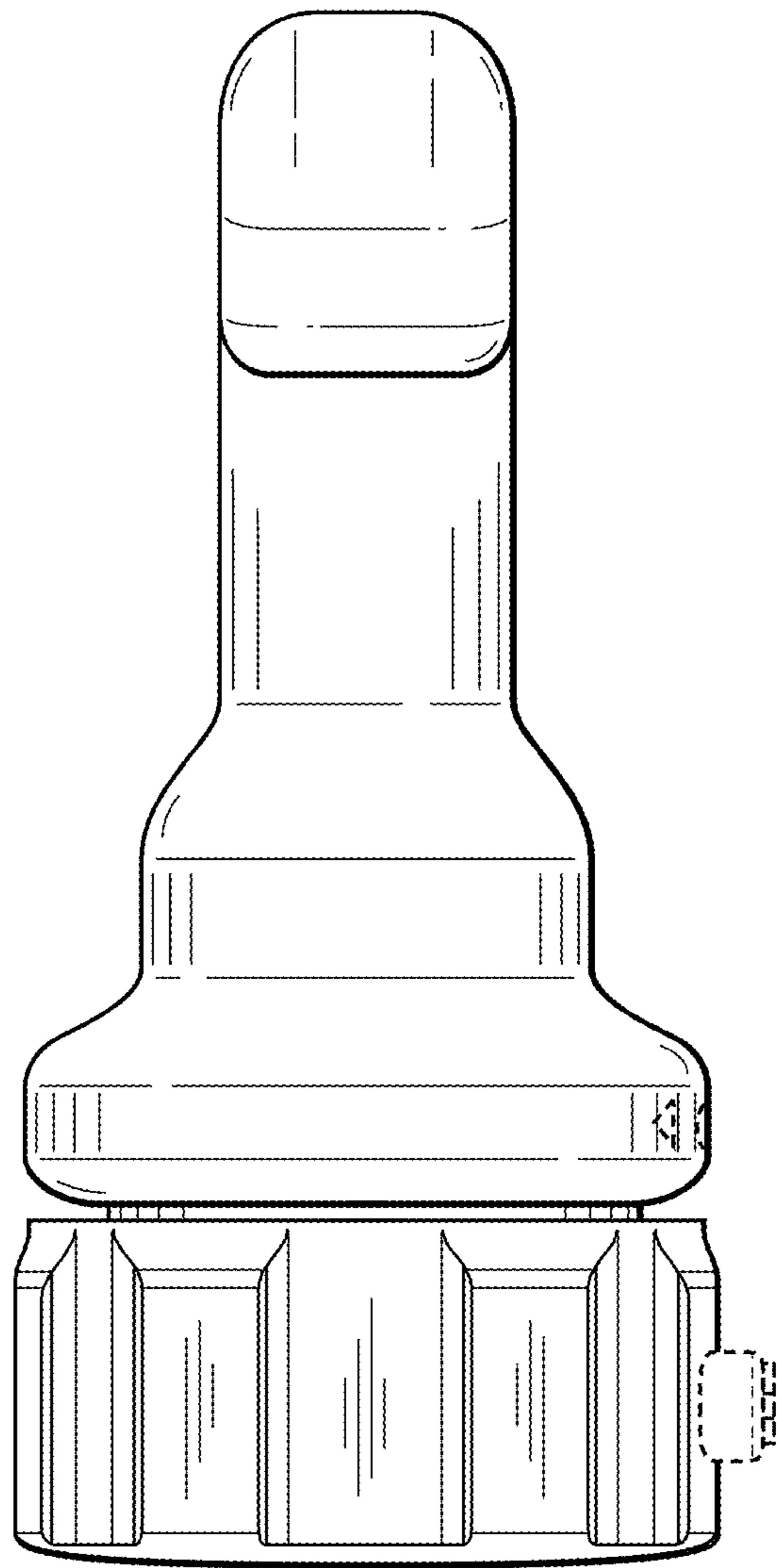


FIG. 4

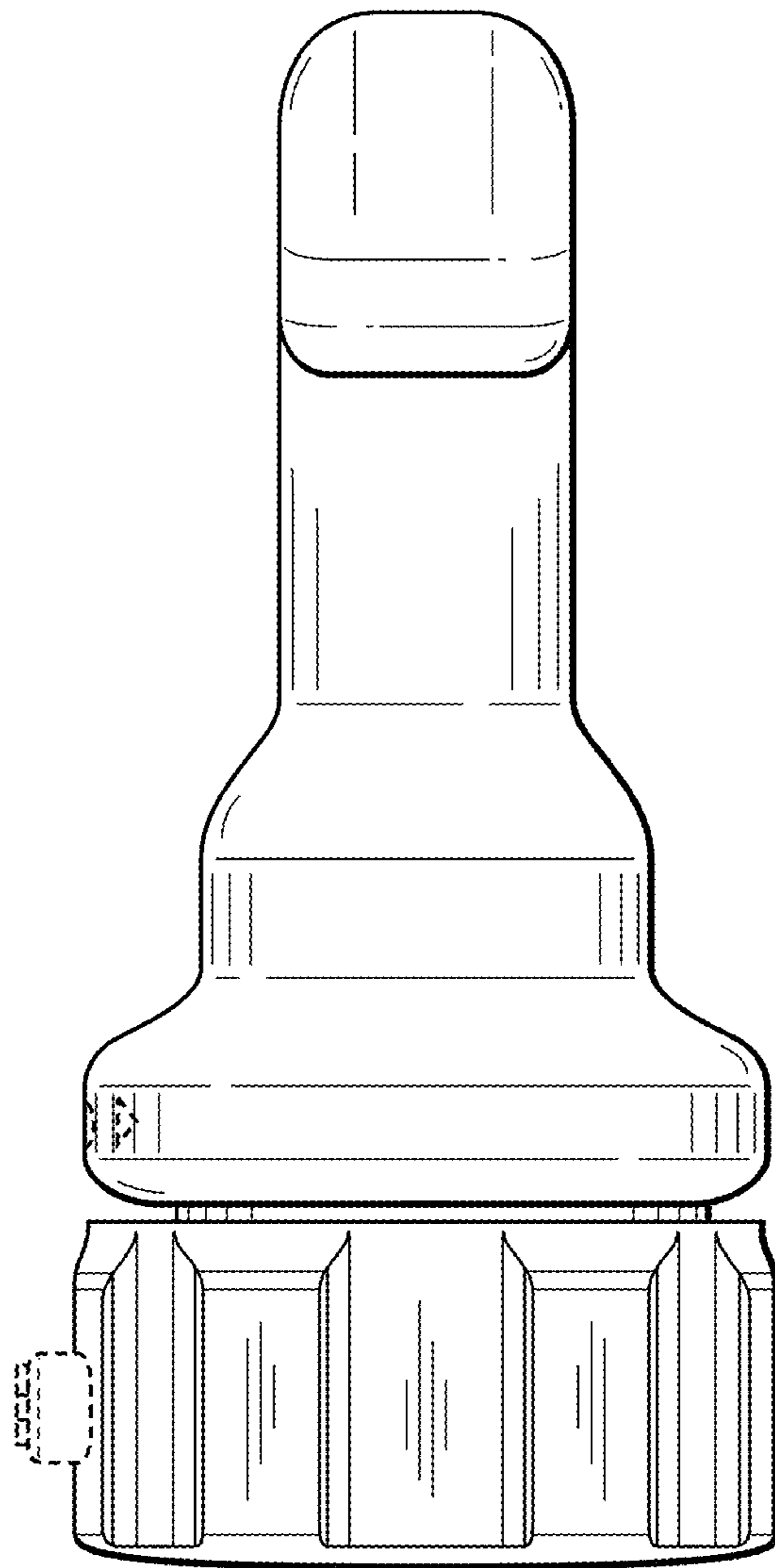


FIG. 5

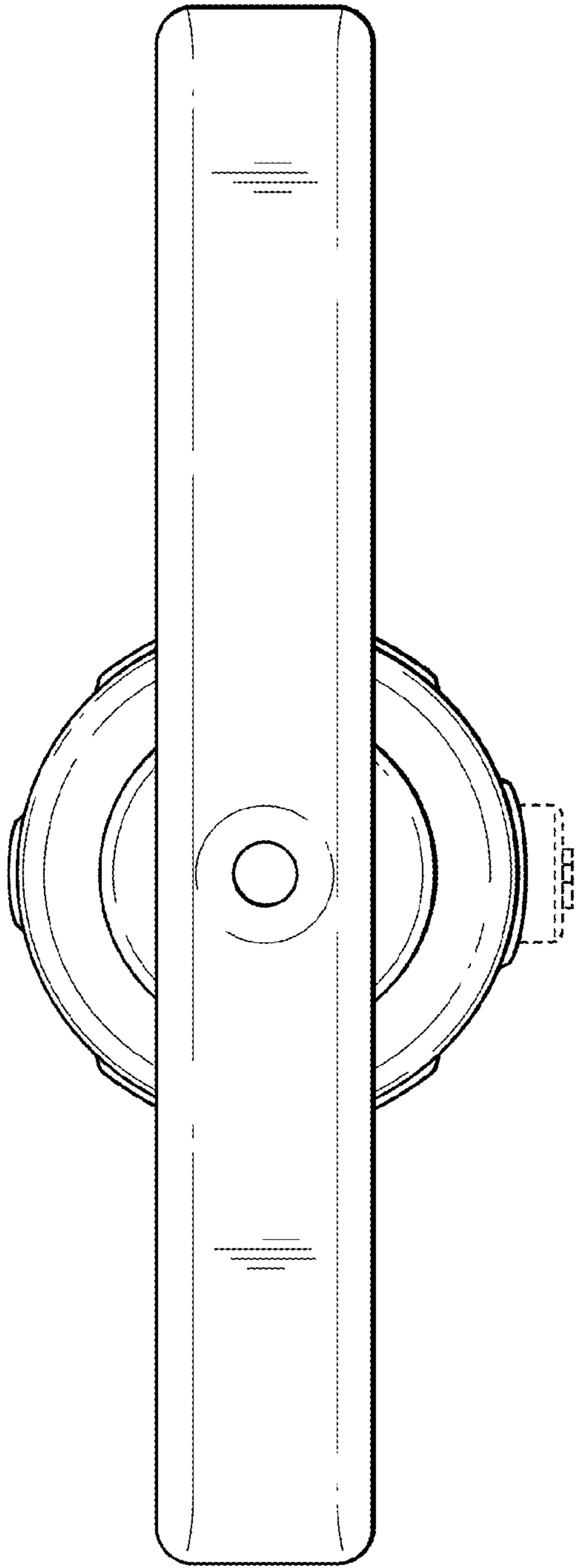


FIG. 6

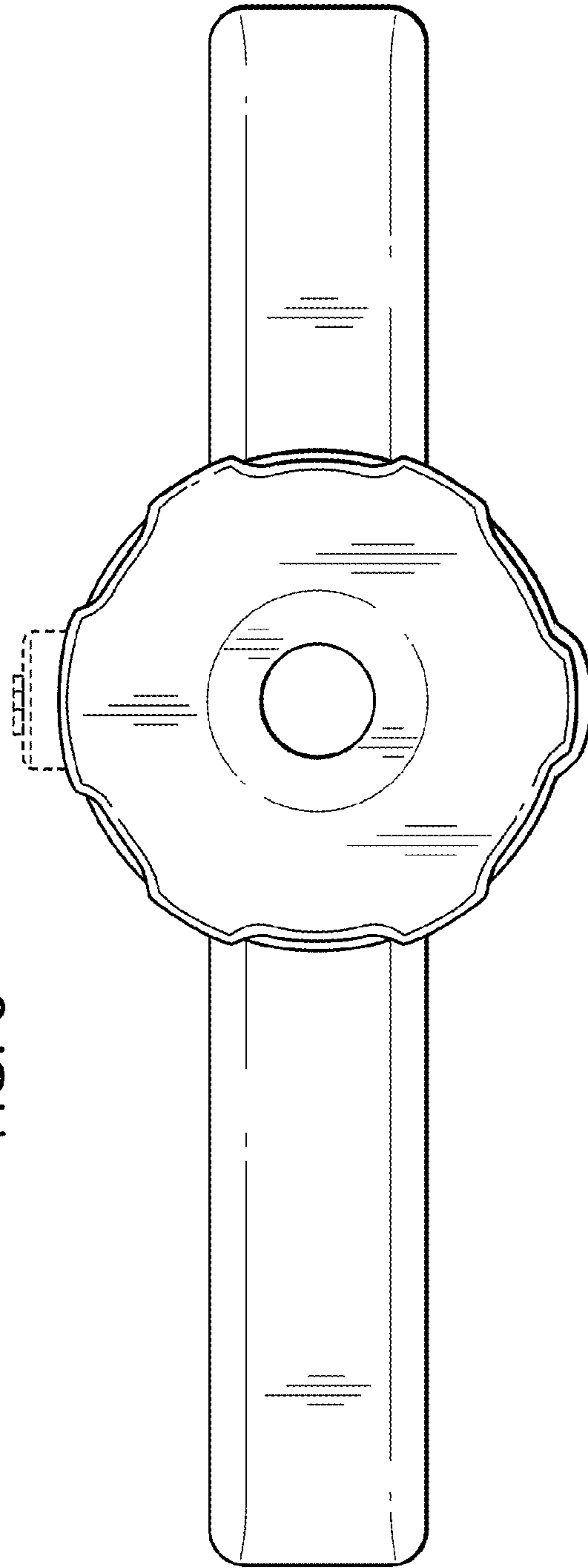


FIG. 7