



US00D883479S

(12) **United States Design Patent**
Ohno

(10) **Patent No.:** **US D883,479 S**

(45) **Date of Patent:** **** May 5, 2020**

- (54) **ENDOSCOPE SUCTION VALVE**
- (71) Applicant: **FUJIFILM Corporation**, Tokyo (JP)
- (72) Inventor: **Hirotohi Ohno**, Ashigarakami-gun (JP)
- (73) Assignee: **FUJIFILM Corporation**, Tokyo (JP)
- (**) Term: **15 Years**
- (21) Appl. No.: **29/642,241**
- (22) Filed: **Mar. 28, 2018**

- 2,066,964 A * 1/1937 Desagnat E04F 13/0871
264/257
- 3,108,924 A * 10/1963 Mountford E04C 2/3405
428/158
- 3,495,367 A * 2/1970 Kobayashi E04C 2/044
52/223.6
- 3,909,996 A * 10/1975 Ettlinger, Jr. E01C 5/20
52/177
- D250,053 S * 10/1978 Recard, Jr. D21/365
- 4,270,232 A * 6/1981 Ballew B65D 88/36
126/566
- D289,432 S * 4/1987 Vardey D13/102
- D382,354 S * 8/1997 Engberg D25/157
- D727,540 S * 4/2015 Martin D25/138
- D858,805 S * 9/2019 Meyers D25/163

* cited by examiner

(30) **Foreign Application Priority Data**

Sep. 29, 2017 (JP) 2017-021503

(51) **LOC (12) Cl.** **24-02**

(52) **U.S. Cl.**
USPC **D24/129**

(58) **Field of Classification Search**
USPC D24/108, 111, 155, 127-131, 112-114,
D24/133, 186; 606/181, 185; 604/264,
604/523-528, 272, 187, 158,
604/164.01-164.11, 181, 184, 227;
600/101, 139, 143; 128/200.24, 207.14,
128/207.15; D25/110, 124, 157, 158, 163
CPC A61M 25/00; A61M 39/00; A61M 27/00;
A61M 25/0043; A61M 25/0067; A61M
25/0097; A61F 2/958
See application file for complete search history.

(56) **References Cited**

U.S. PATENT DOCUMENTS

- D18,446 S * 7/1888 Koskul D25/158
- 1,074,824 A * 10/1913 Wadsworth B21H 1/22
72/188
- D71,798 S * 1/1927 Johnson D25/157

Primary Examiner — David G Muller

(74) *Attorney, Agent, or Firm* — Birch, Stewart, Kolasch & Birch, LLP

(57) **CLAIM**

The ornamental design for an endoscope suction valve, as shown and described.

DESCRIPTION

FIG. 1 is a top, front and right side perspective view of an endoscope suction valve showing my new design;
 FIG. 2 is a front elevational view thereof;
 FIG. 3 is a rear elevational view thereof;
 FIG. 4 is a top plan view thereof;
 FIG. 5 is a bottom plan view thereof;
 FIG. 6 is a left side elevational view thereof;
 FIG. 7 is a right side elevational view thereof; and,
 FIG. 8 is a top, rear and left side perspective view thereof in a state of being attached to an endoscope.
 The broken line areas showing a boundary of the endoscope suction valve form no part of the claimed design.

1 Claim, 8 Drawing Sheets

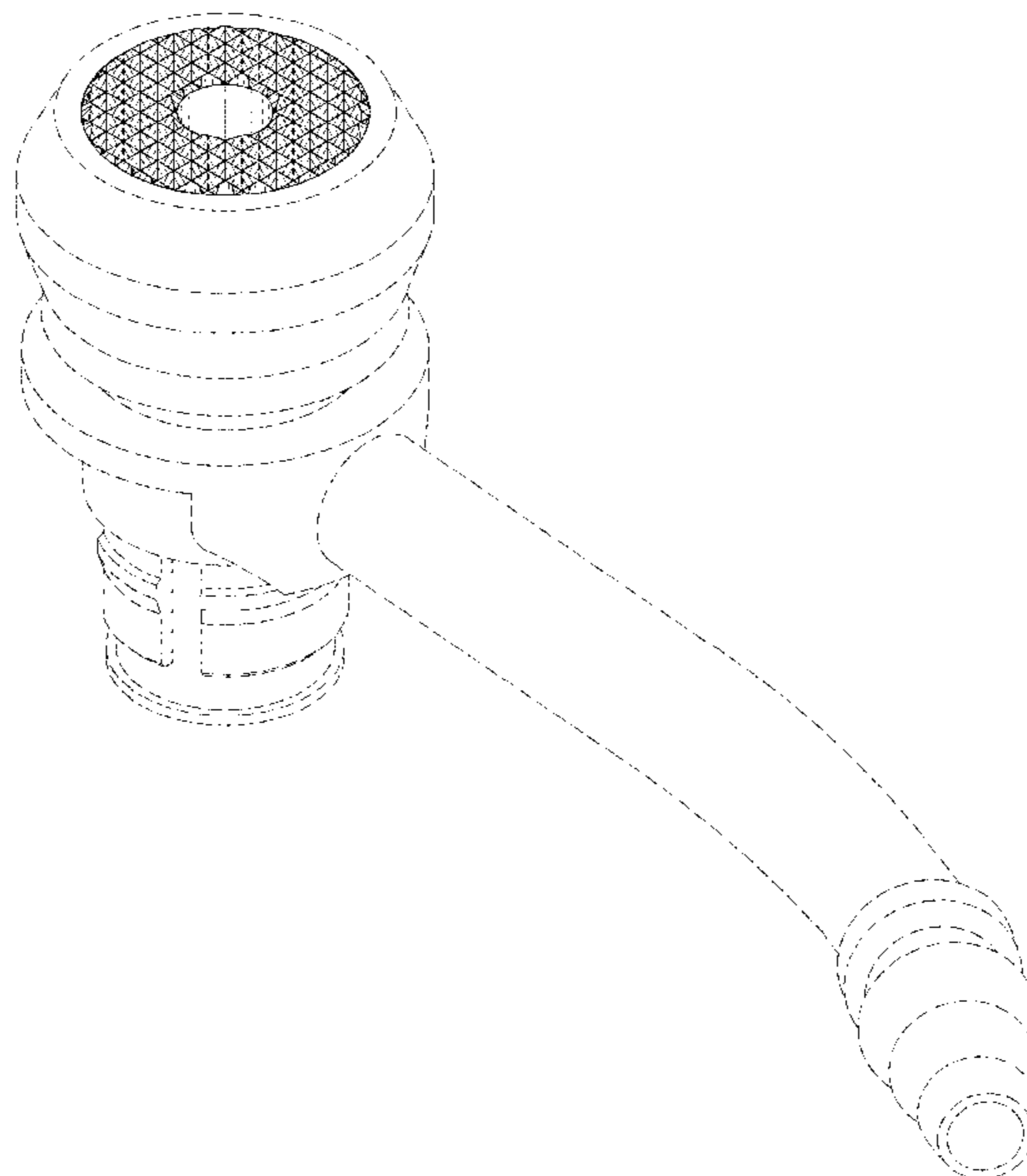


FIG. 1

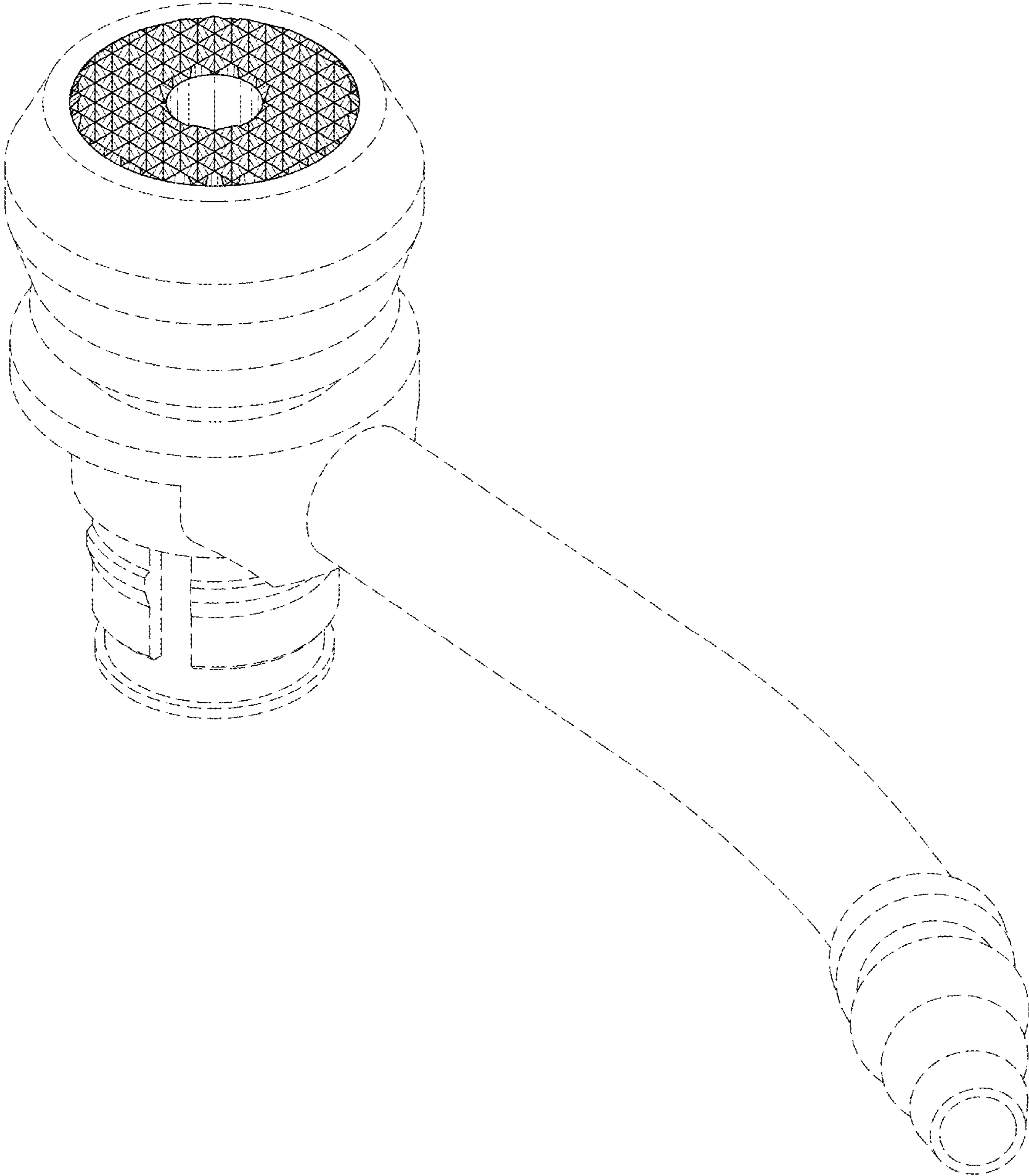


FIG. 2

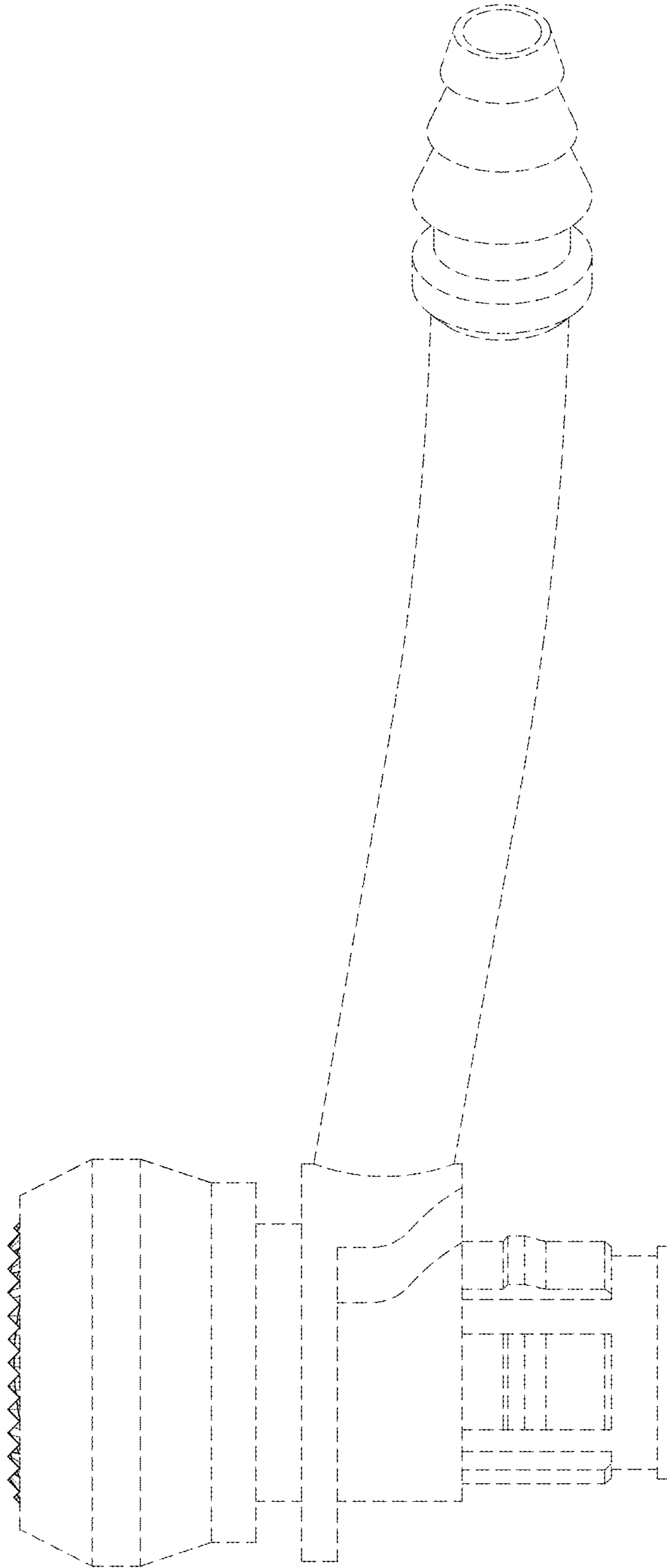


FIG. 3

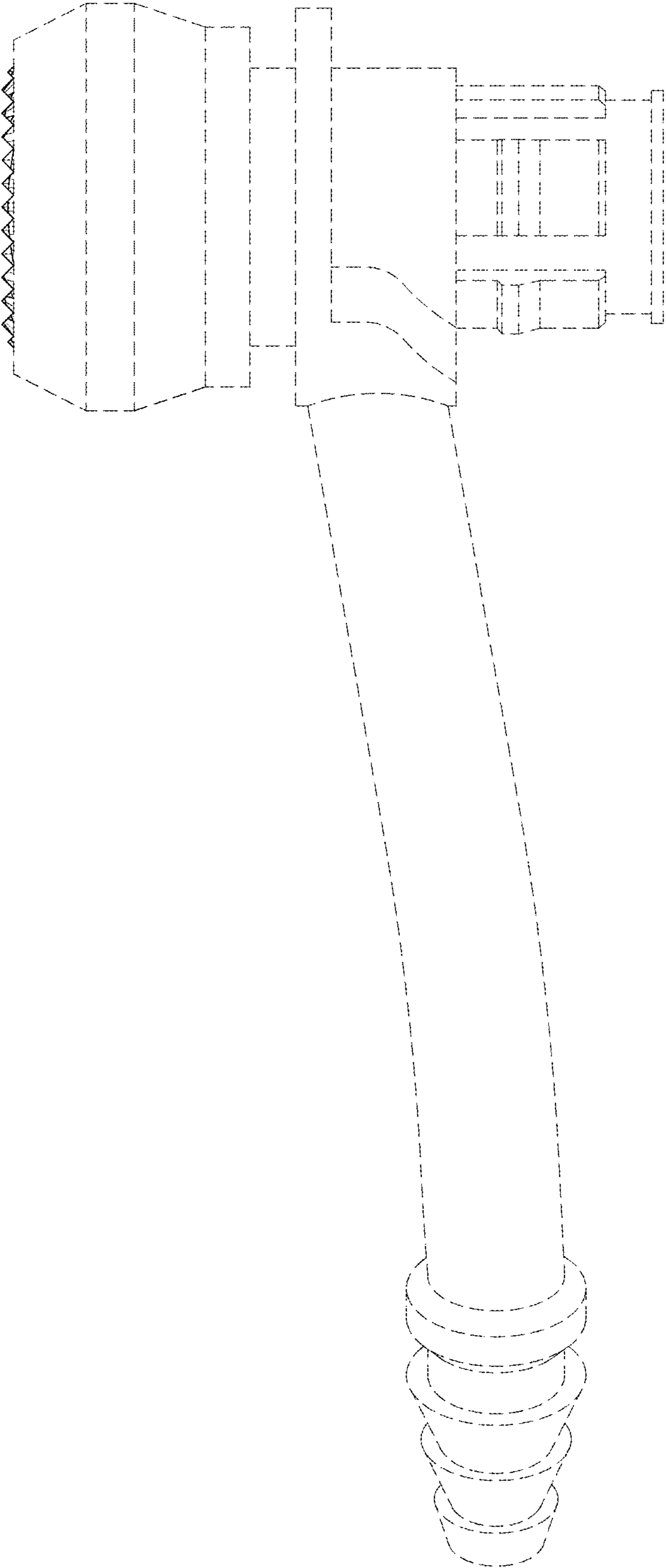


FIG.4

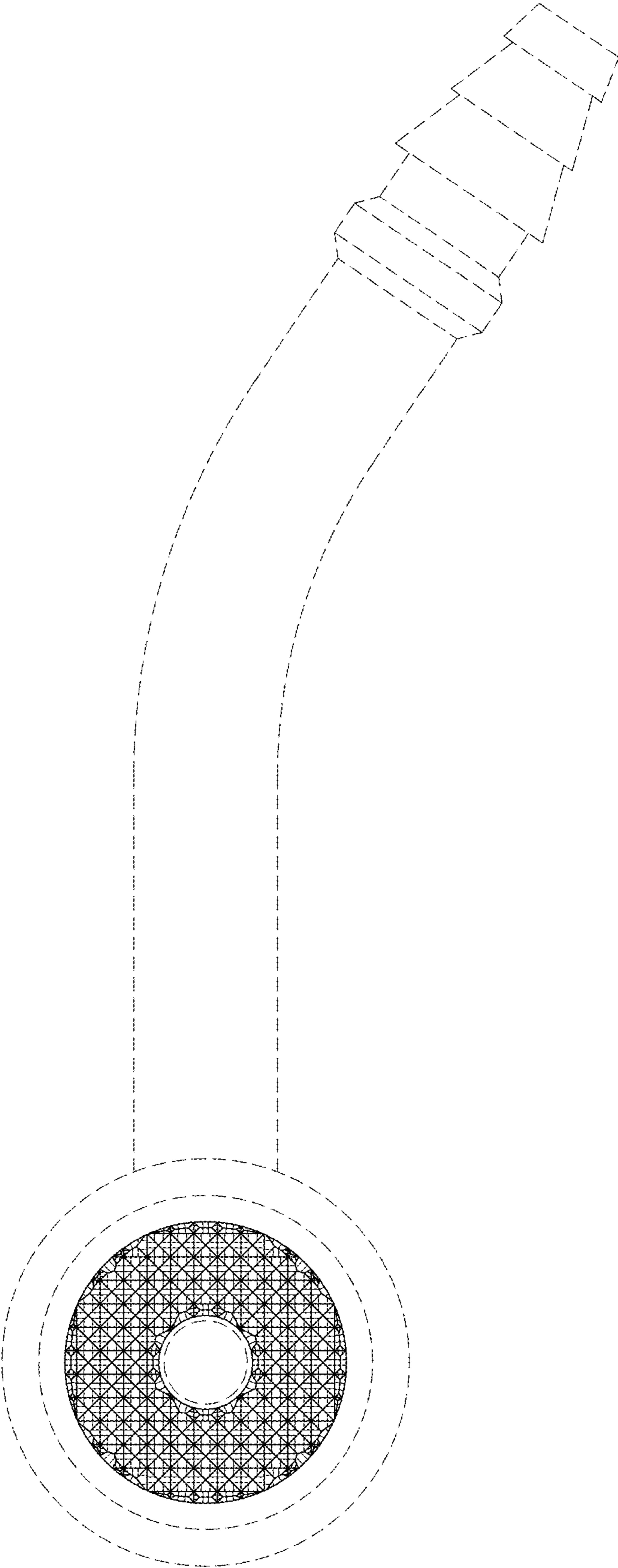


FIG. 5

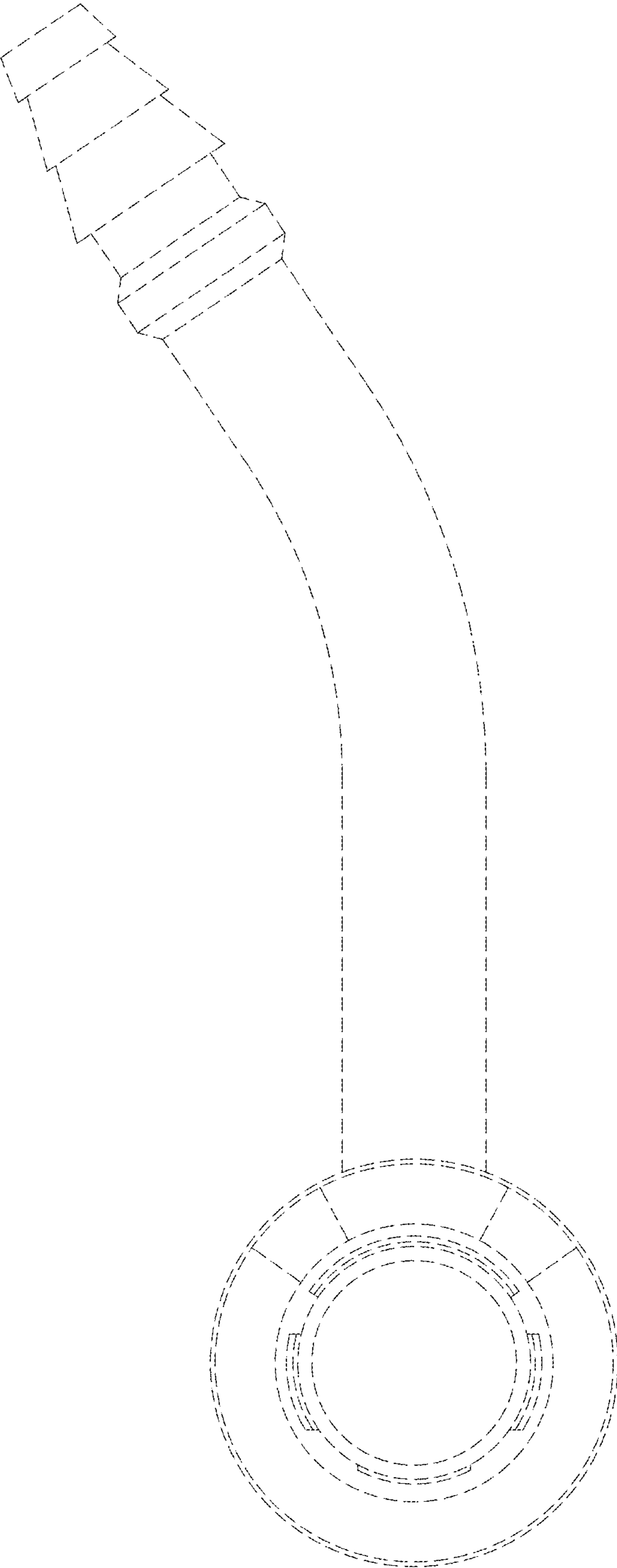


FIG. 6

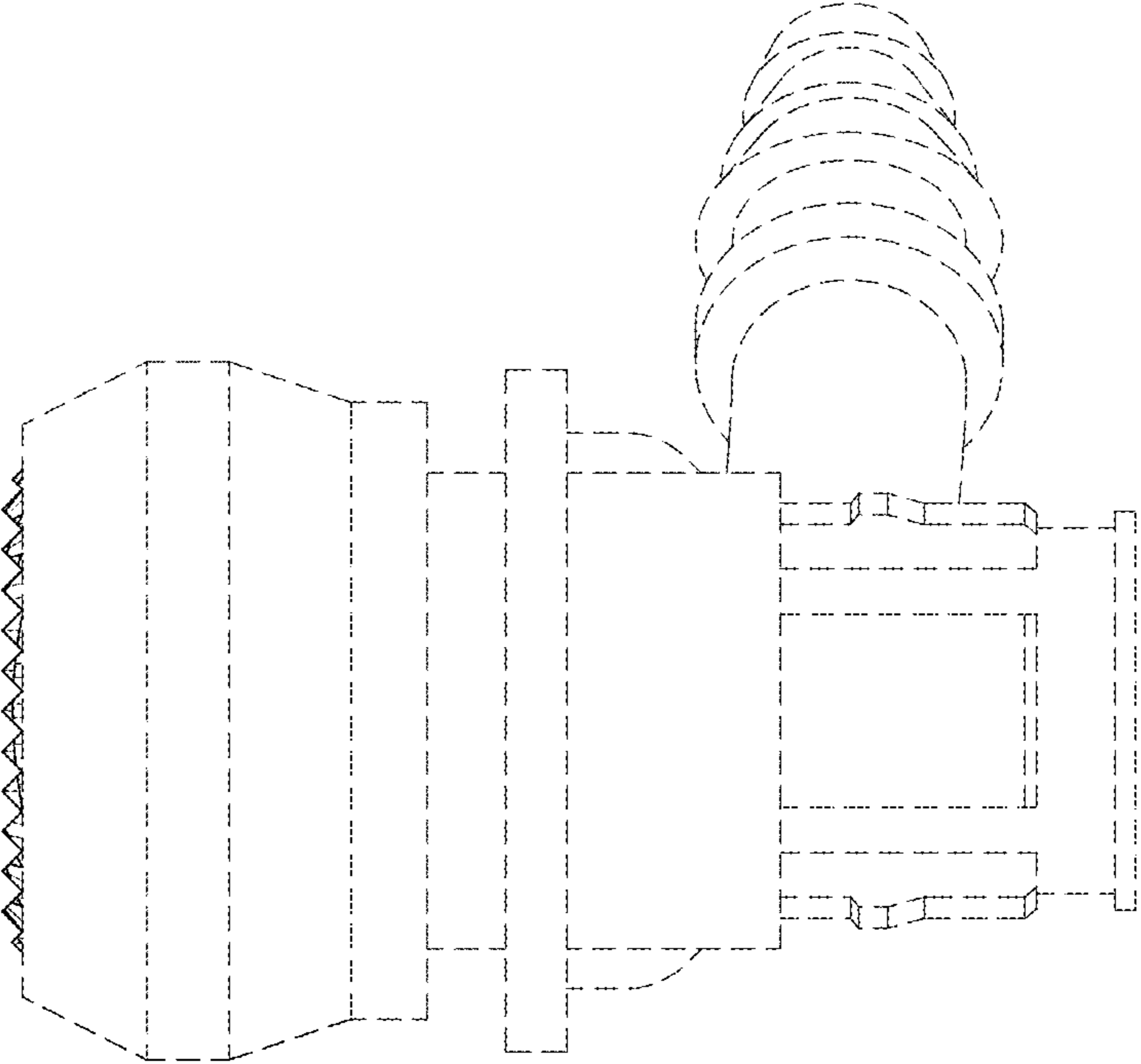


FIG. 7

