



US00D883478S

(12) **United States Design Patent**  
**Zhi et al.**

(10) **Patent No.:** **US D883,478 S**

(45) **Date of Patent:** **\*\* May 5, 2020**

(54) **PET-CT IMAGING DEVICE**

(71) Applicant: **SHANGHAI UNITED IMAGING HEALTHCARE CO., LTD.**, Shanghai (CN)

(72) Inventors: **Chao Zhi**, Shanghai (CN); **Jun Zhang**, Shanghai (CN); **Yusheng Yin**, Shanghai (CN); **Yangzhou Li**, Shanghai (CN)

(73) Assignee: **SHANGHAI UNITED IMAGING HEALTHCARE CO., LTD.**, Shanghai (CN)

(\*\*) Term: **15 Years**

(21) Appl. No.: **29/609,366**

(22) Filed: **Jun. 29, 2017**

(30) **Foreign Application Priority Data**

Dec. 30, 2016 (CN) ..... 2016 3 0660333

(51) **LOC (12) Cl.** ..... **24-02**

(52) **U.S. Cl.**  
USPC ..... **D24/128**

(58) **Field of Classification Search**  
USPC ..... D24/158-161, 185, 186  
CPC .. A61B 6/03; A61B 6/035; A61B 5/05; A61B 5/055; A61B 6/06  
See application file for complete search history.

(56) **References Cited**

**U.S. PATENT DOCUMENTS**

D715,943 S \* 10/2014 Zhang ..... D24/159  
D715,944 S \* 10/2014 Yao ..... D24/159

D715,945 S \* 10/2014 Zhang ..... D24/159  
D750,253 S \* 2/2016 Liu ..... D24/158  
D758,587 S \* 6/2016 Eberler ..... D24/158  
D766,441 S \* 9/2016 Liu ..... D24/159  
D770,624 S \* 11/2016 Yao ..... D24/158  
D785,181 S \* 4/2017 Grosshauser ..... D24/158  
D794,799 S \* 8/2017 Achleitner ..... D24/158  
D806,878 S \* 1/2018 Chang ..... D24/158  
D818,126 S \* 5/2018 Personelli ..... D24/158  
D835,789 S \* 12/2018 Achleitner ..... D24/158  
D839,431 S \* 1/2019 Morreale ..... D24/159

\* cited by examiner

*Primary Examiner* — David G Muller

(74) *Attorney, Agent, or Firm* — Metis IP LLC

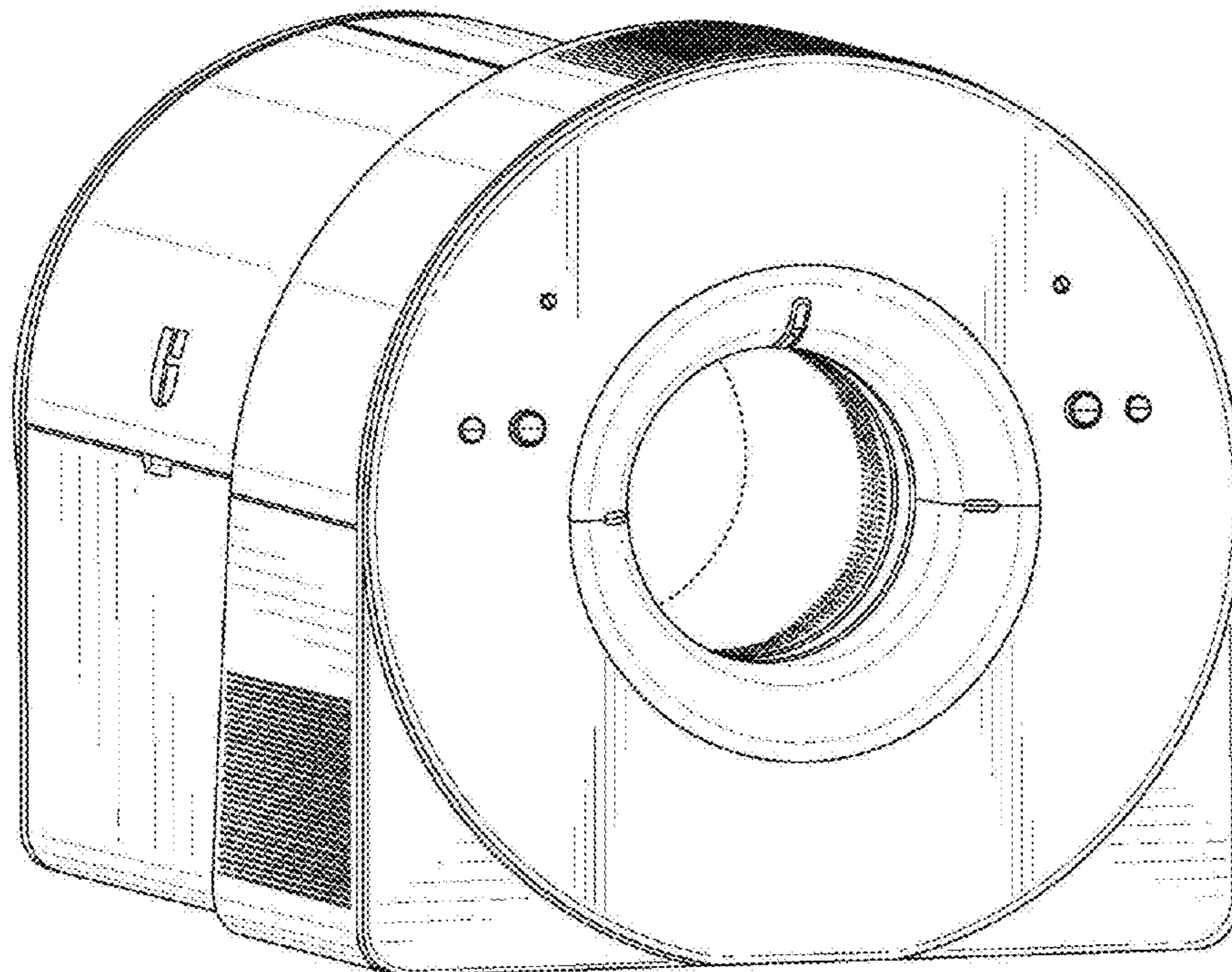
(57) **CLAIM**

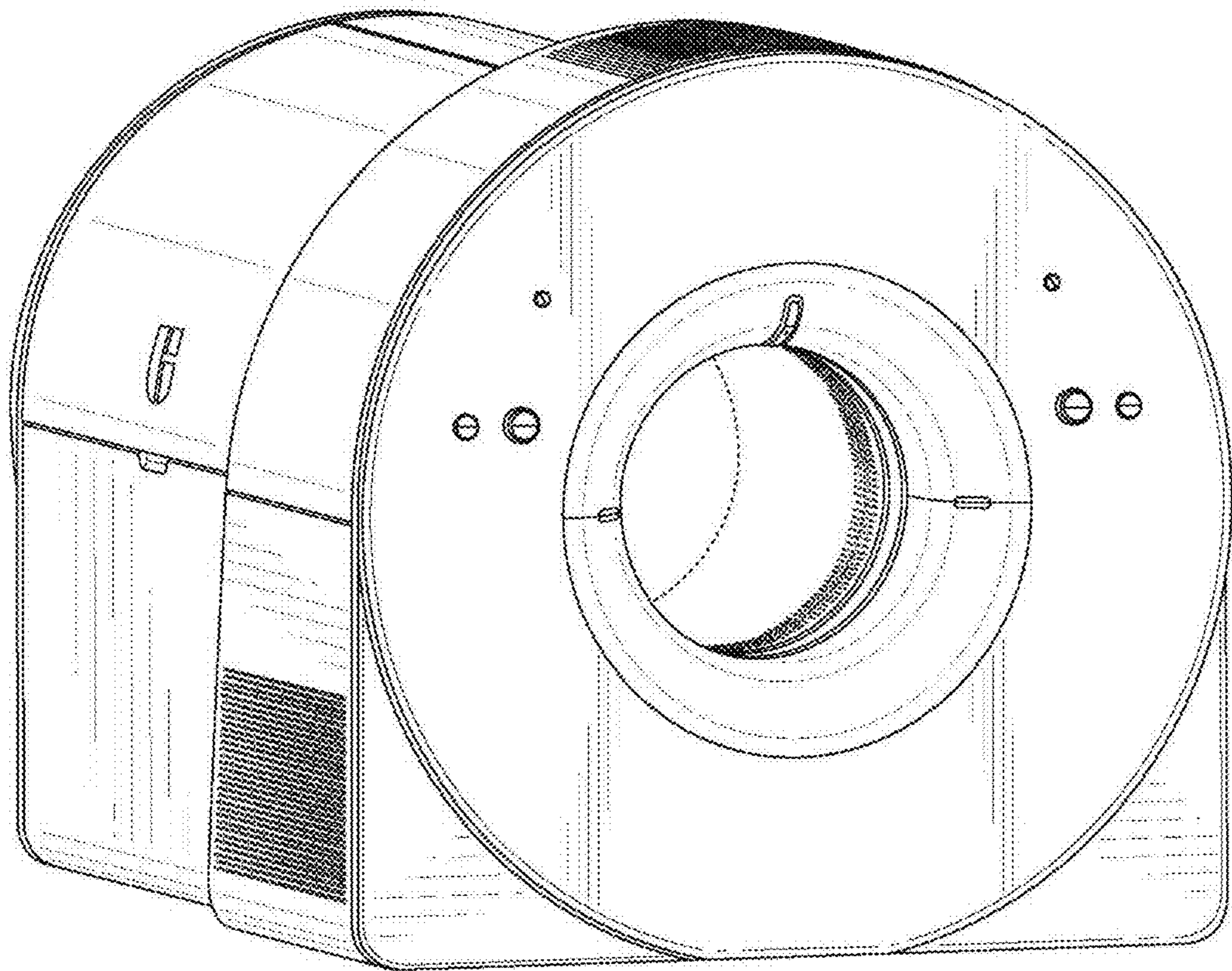
The ornamental design for a PET-CT imaging device, as shown and described.

**DESCRIPTION**

FIG. 1 is a perspective view of a PET-CT imaging device showing our new design;  
FIG. 2 is a front view thereof;  
FIG. 3 is a rear view thereof;  
FIG. 4 is a left view thereof;  
FIG. 5 is a right view thereof;  
FIG. 6 is a top view thereof; and,  
FIG. 7 is a bottom view thereof.  
The broken line showing of parts of the drawings is included for the purpose of illustrating use and environment and forms no part of the claimed design.

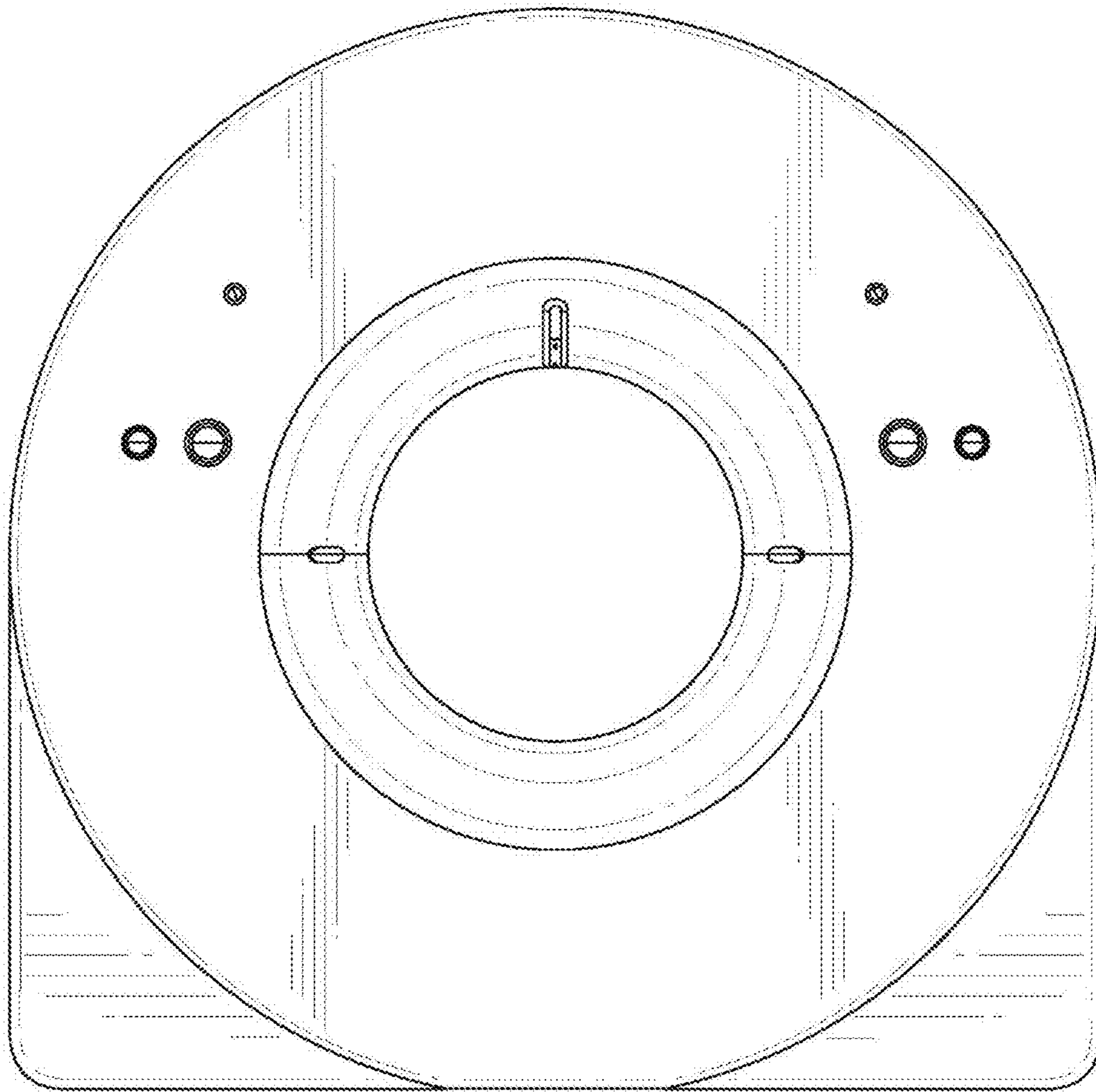
**1 Claim, 7 Drawing Sheets**



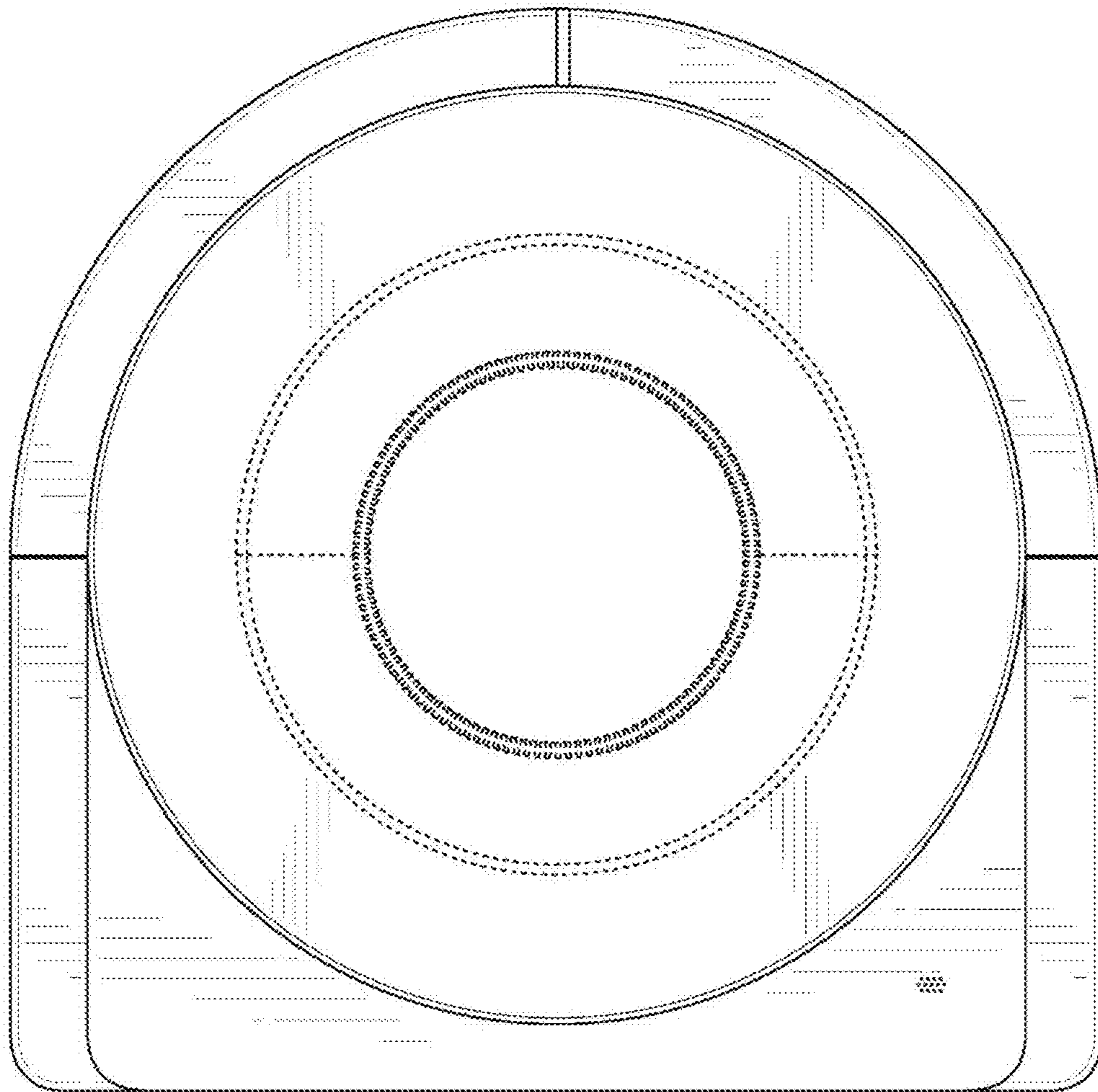


*FIG. 1*





*FIG. 2*



*FIG. 3*



FIG. 4



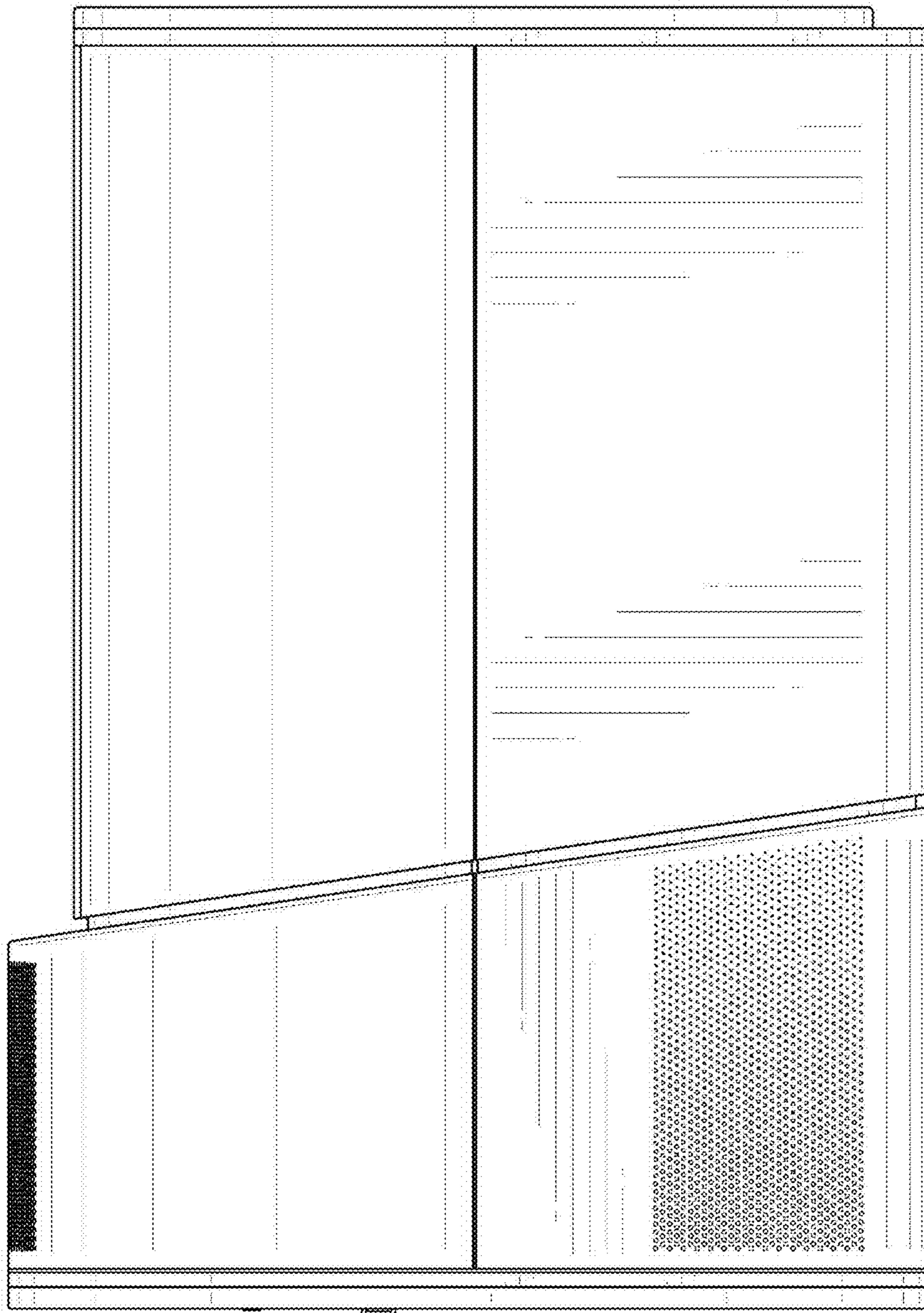


FIG. 5

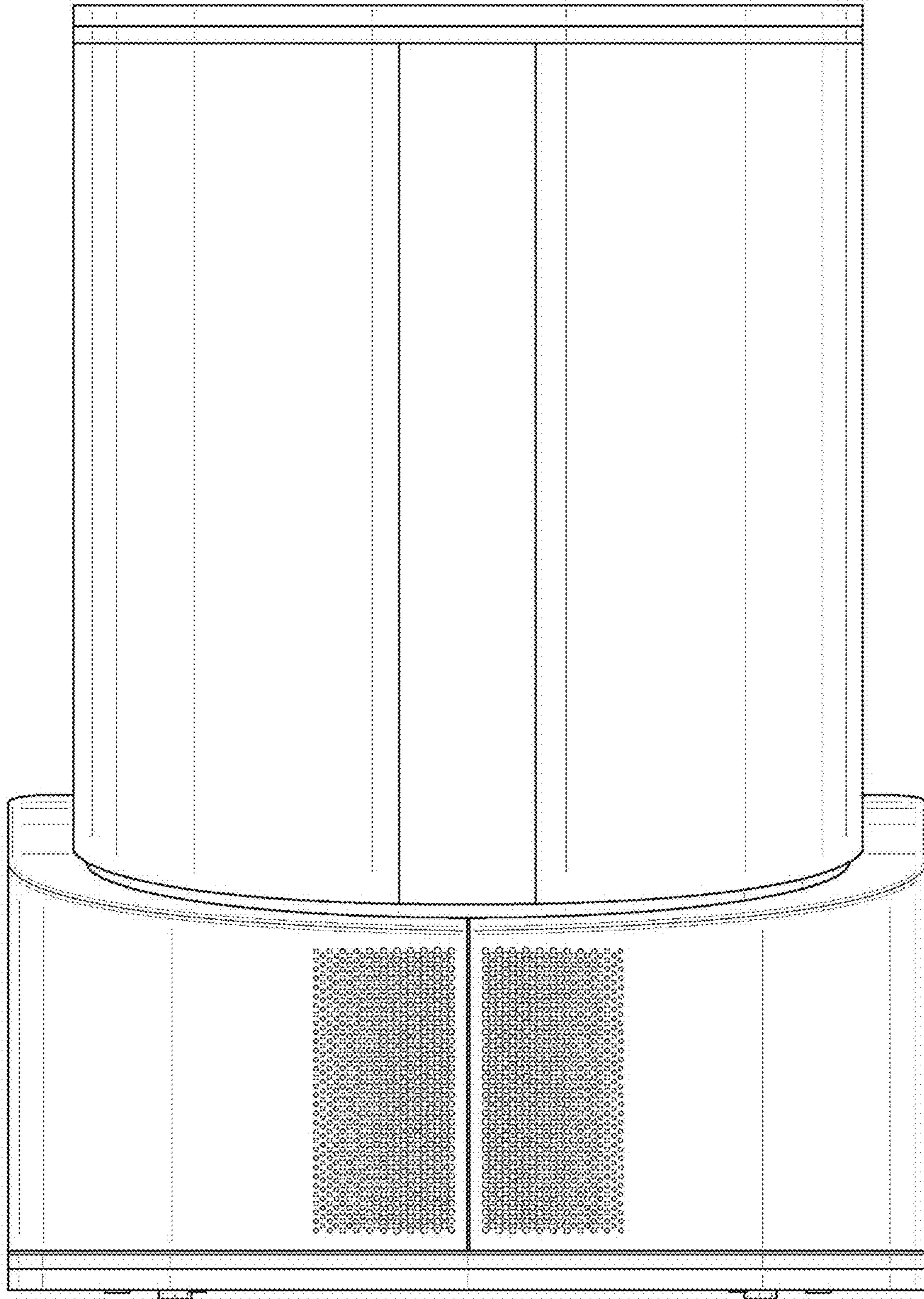


FIG. 6

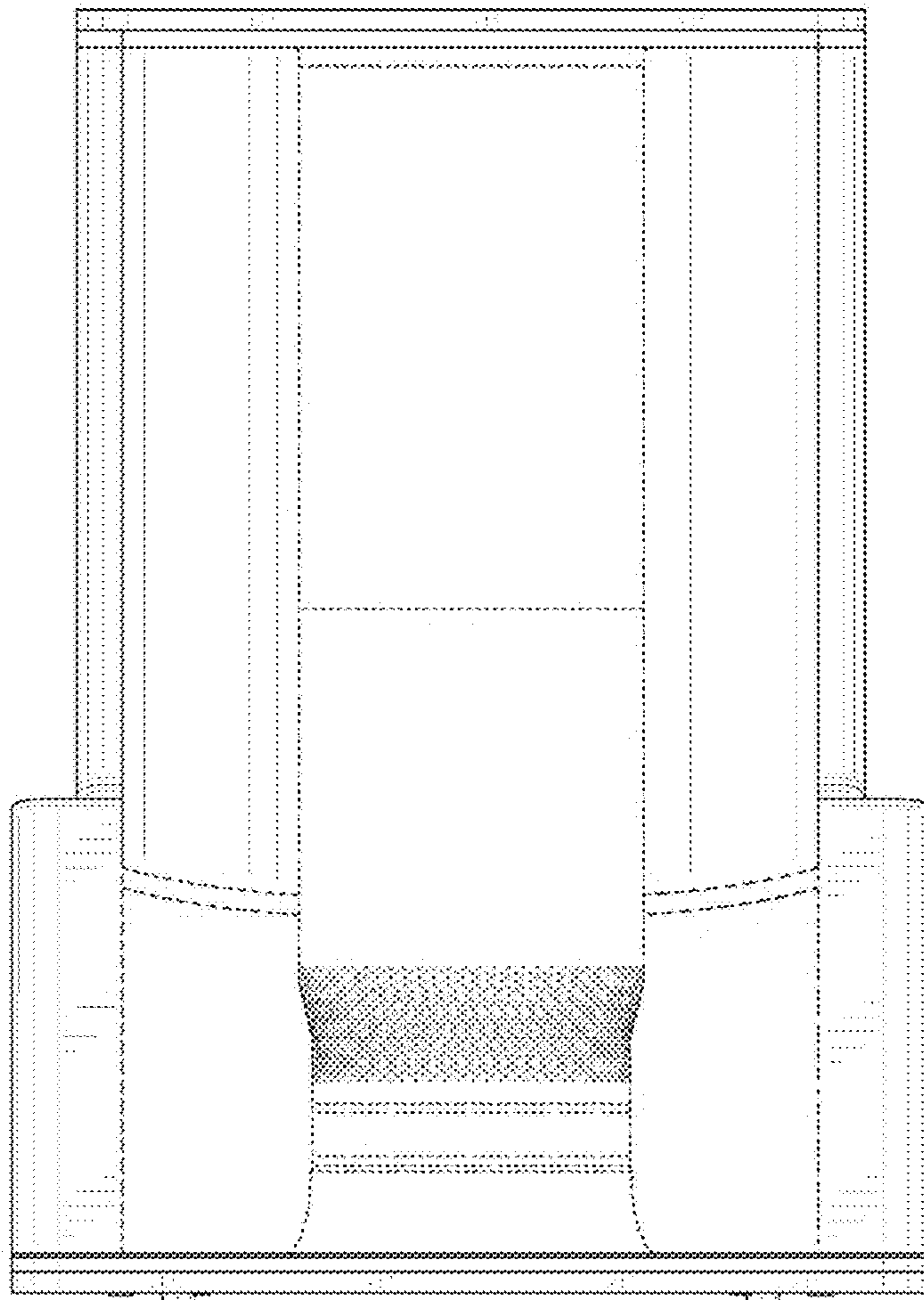


FIG. 7