



US00D883477S

(12) **United States Design Patent** (10) **Patent No.:** **US D883,477 S**
Tiedeken (45) **Date of Patent:** **** May 5, 2020**

(54) **TATTOO GRIP**

(71) Applicant: **ImportLA, LLC**, Baldwin Park, CA (US)

(72) Inventor: **Jason Tiedeken**, Concord, CA (US)

(73) Assignee: **IMPORTLA, LLC**, Baldwin Park, CA (US)

(**) Term: **15 Years**

(21) Appl. No.: **29/721,130**

(22) Filed: **Jan. 17, 2020**

Related U.S. Application Data

(62) Division of application No. 29/662,717, filed on Sep. 7, 2018.

(51) **LOC (12) Cl.** **24-02**

(52) **U.S. Cl.**
USPC **D24/127; D24/146**

(58) **Field of Classification Search**
USPC D24/127, 133, 140, 144, 146-147;
D19/174, 199

CPC A61M 37/00; A61M 37/0076; A61M
37/0084

See application file for complete search history.

(56) **References Cited**

U.S. PATENT DOCUMENTS

D131,091 S *	1/1942	Schlage	D8/312
D360,027 S *	7/1995	Psaros	D23/359
D395,227 S *	6/1998	Smiley	D8/378
D423,594 S *	4/2000	Green	D20/41
D427,241 S *	6/2000	Izushima	D19/199
D468,625 S *	1/2003	Schorling	D8/378

(Continued)

Primary Examiner — Nathan M Johnston

(74) *Attorney, Agent, or Firm* — Hankin Patent Law, APC; Kevin Schraven; Anooj Patel

(57) **CLAIM**

The ornamental design for a tattoo grip, as shown and described.

DESCRIPTION

FIG. 1 is a top perspective view of a tattoo grip, showing a first embodiment of my new design.

FIG. 2 is a right side elevational view thereof.

FIG. 3 is a left side elevational view thereof.

FIG. 4 is a back view thereof.

FIG. 5 is a front view thereof.

FIG. 6 is a top plan view thereof.

FIG. 7 is a bottom plan view thereof.

FIG. 8 is a top perspective view of a tattoo grip, showing a second embodiment of my new design.

FIG. 9 is a top perspective view of a tattoo grip, showing a third embodiment of my new design.

FIG. 10 is a right side elevational view thereof.

FIG. 11 is a left side elevational view thereof.

FIG. 12 is a back view thereof.

FIG. 13 is a front view thereof.

FIG. 14 is a top plan view thereof.

FIG. 15 is a bottom plan view thereof.

FIG. 16 is a top perspective view of a tattoo grip, showing a fourth embodiment of my new design.

FIG. 17 is a top perspective view of a tattoo grip, showing a fifth embodiment of my new design.

FIG. 18 is a right side elevational view thereof.

FIG. 19 is a left side elevational view thereof.

FIG. 20 is a back view thereof.

FIG. 21 is a front view thereof.

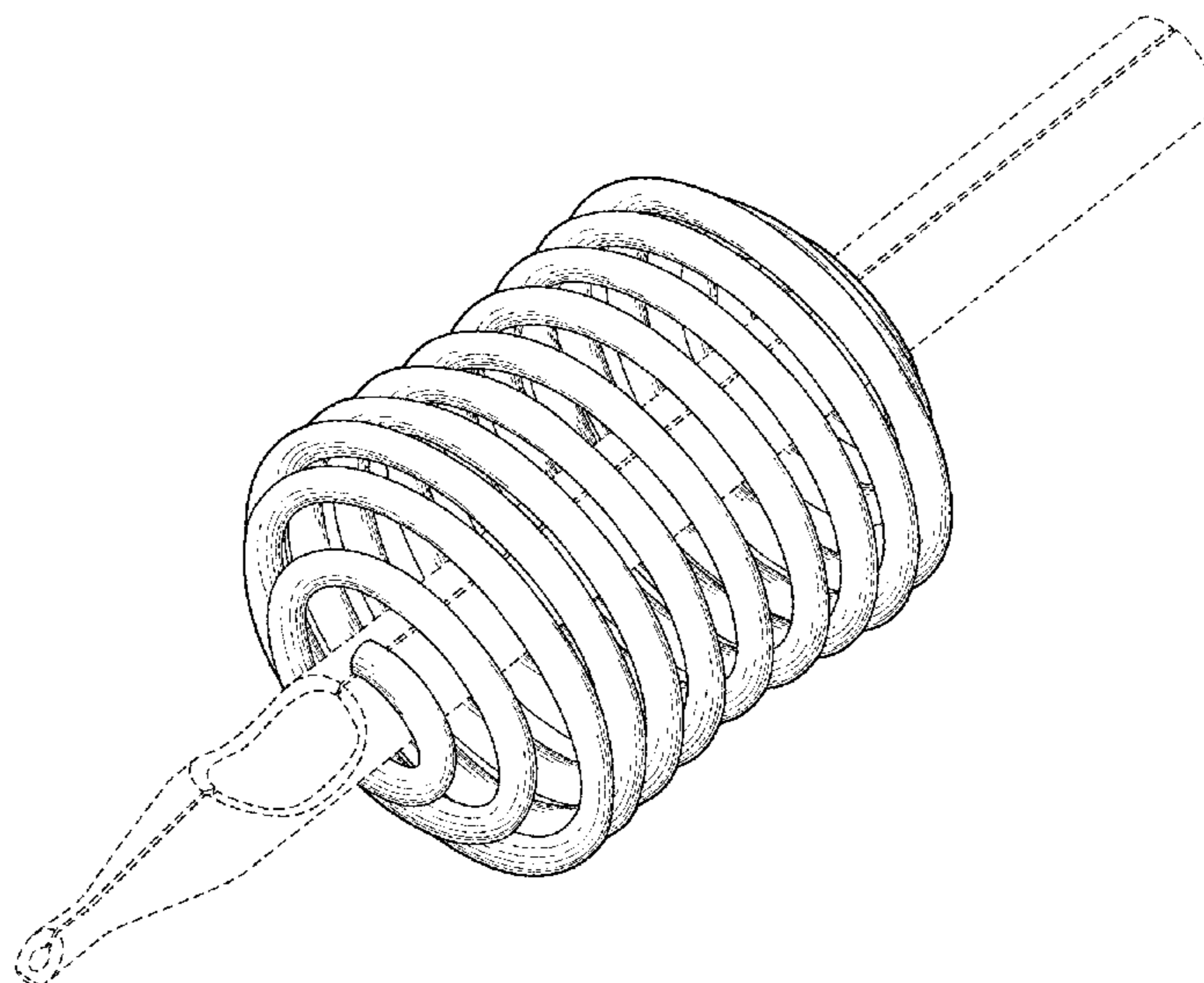
FIG. 22 is a top plan view thereof.

FIG. 23 is a bottom plan view thereof; and,

FIG. 24 is a top perspective view of a tattoo grip, showing a sixth embodiment of my new design.

The broken lines showing tattoo tubes are for the purpose of illustrating environmental structures and form no part of the claimed design.

1 Claim, 24 Drawing Sheets



(56)

References Cited

U.S. PATENT DOCUMENTS

D553,965 S * 10/2007 Ellbogen D8/378
D589,617 S * 3/2009 Carter D24/146
D668,757 S * 10/2012 McCrary D24/108
D694,405 S * 11/2013 Khalaj D24/130
8,591,480 B2 * 11/2013 Marler A61B 17/320016
604/264
D736,373 S * 8/2015 Weishaupt D24/146
D747,643 S * 1/2016 Grace D8/349
D748,251 S * 1/2016 Ku D24/129
D758,583 S * 6/2016 Matyas D24/147
D761,422 S * 7/2016 Row D24/129
D773,660 S * 12/2016 Shiozaki D24/130
D774,646 S * 12/2016 Sato D24/130
D812,751 S * 3/2018 Richter D24/146
D854,686 S * 7/2019 Gravett D24/147
D855,805 S * 8/2019 Chen D24/147
2007/0260224 A1 * 11/2007 Von Oepen A61M 25/0054
604/528
2013/0085468 A1 * 4/2013 Buydenok A61M 25/007
604/500
2014/0046302 A1 * 2/2014 Green A61M 25/09
604/528
2016/0129188 A1 * 5/2016 Kiilerich F16F 1/046
604/208
2018/0049761 A1 * 2/2018 Bashir A61M 25/0043

* cited by examiner

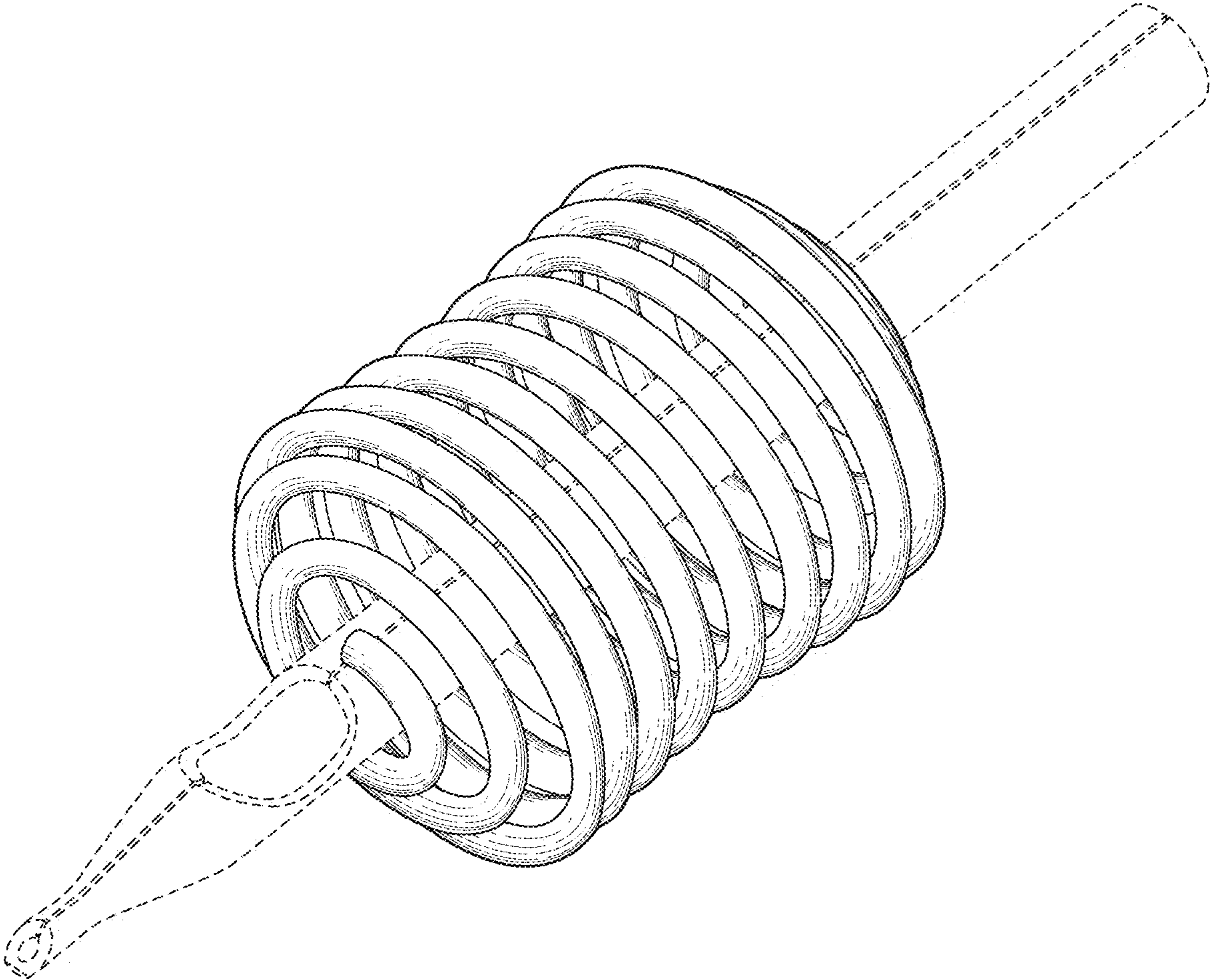


Fig. 1

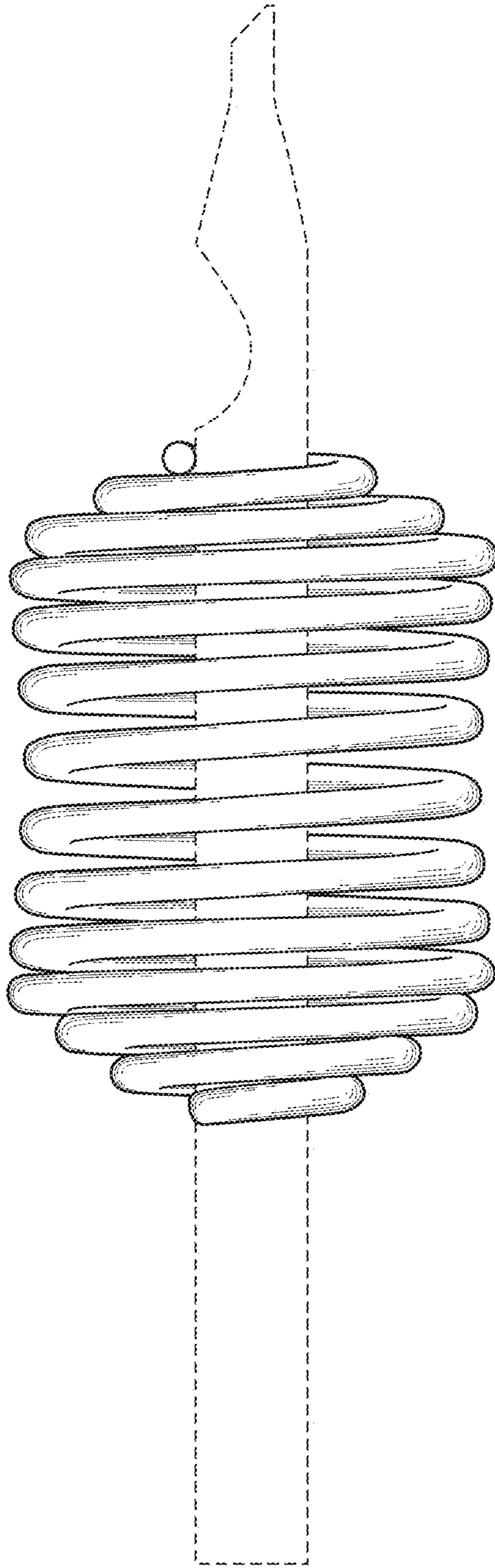


Fig. 2

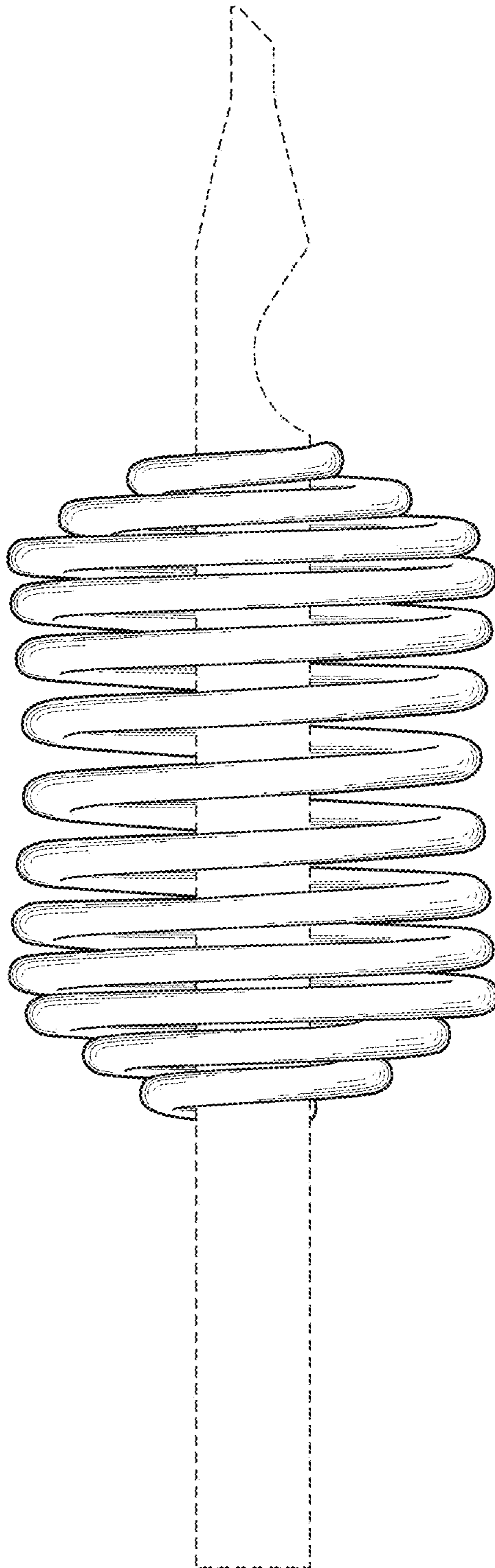


Fig.3

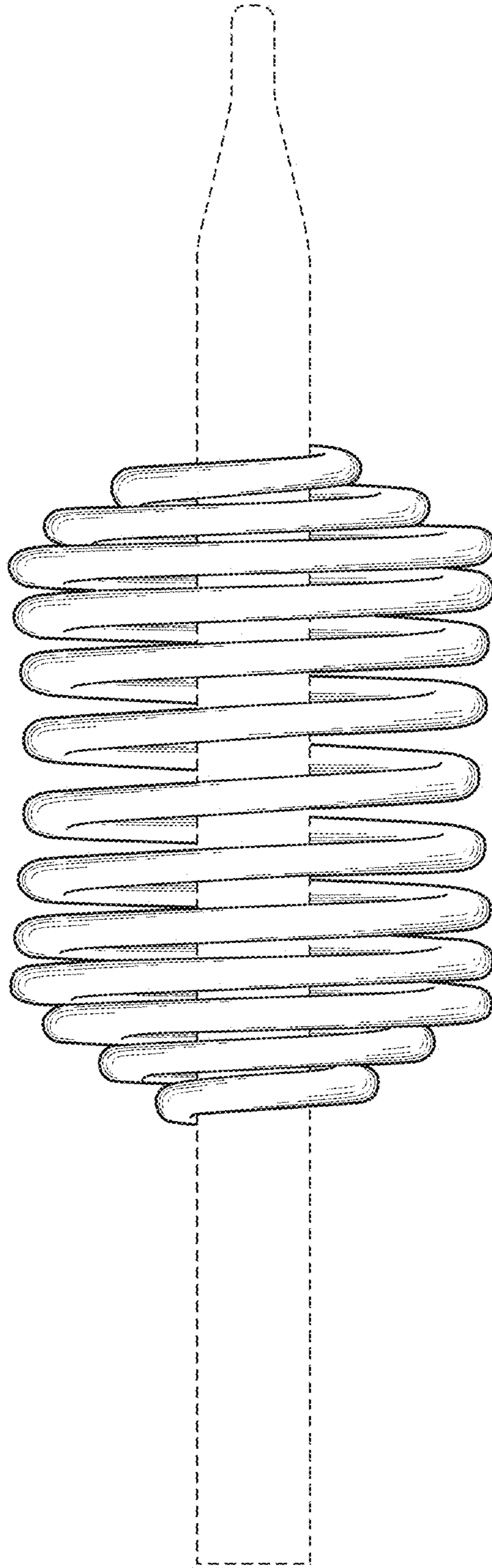


Fig.4

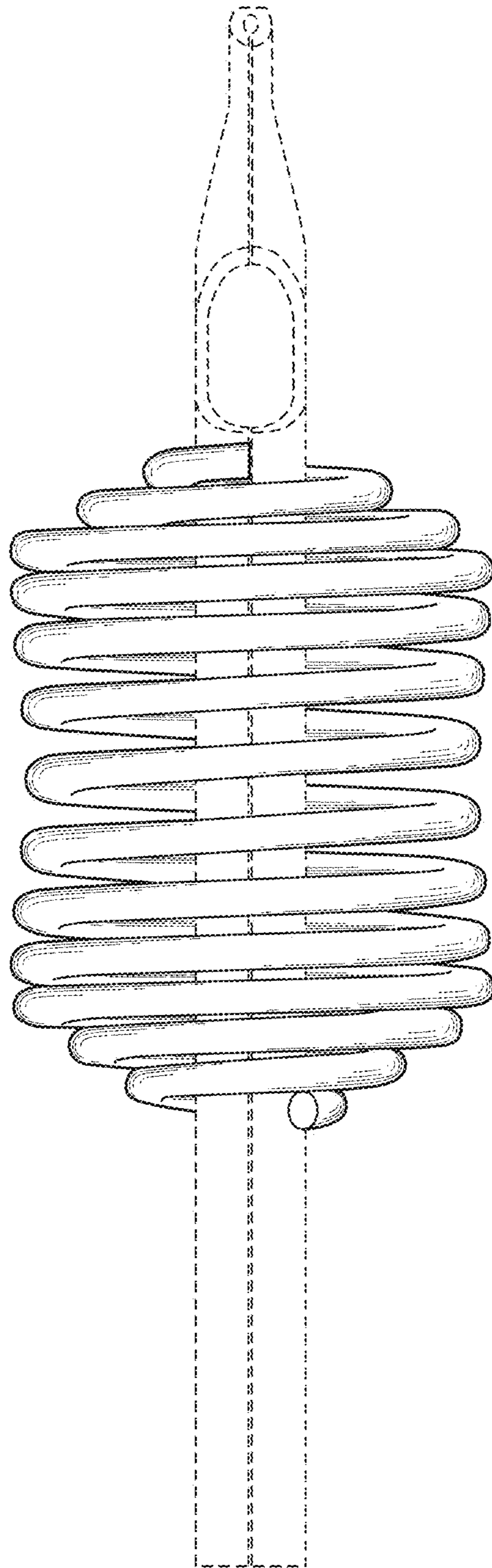


Fig. 5

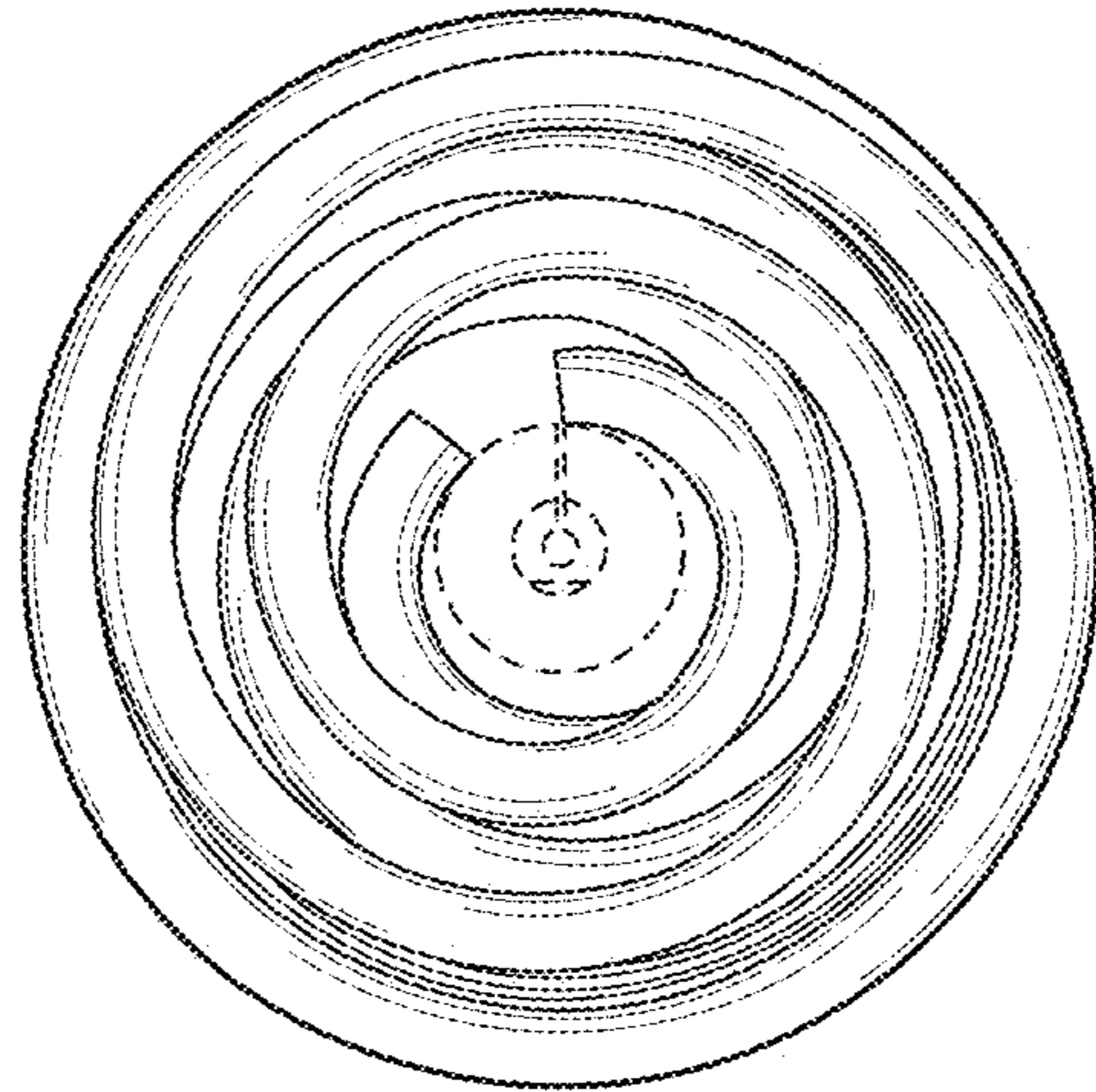


Fig.6

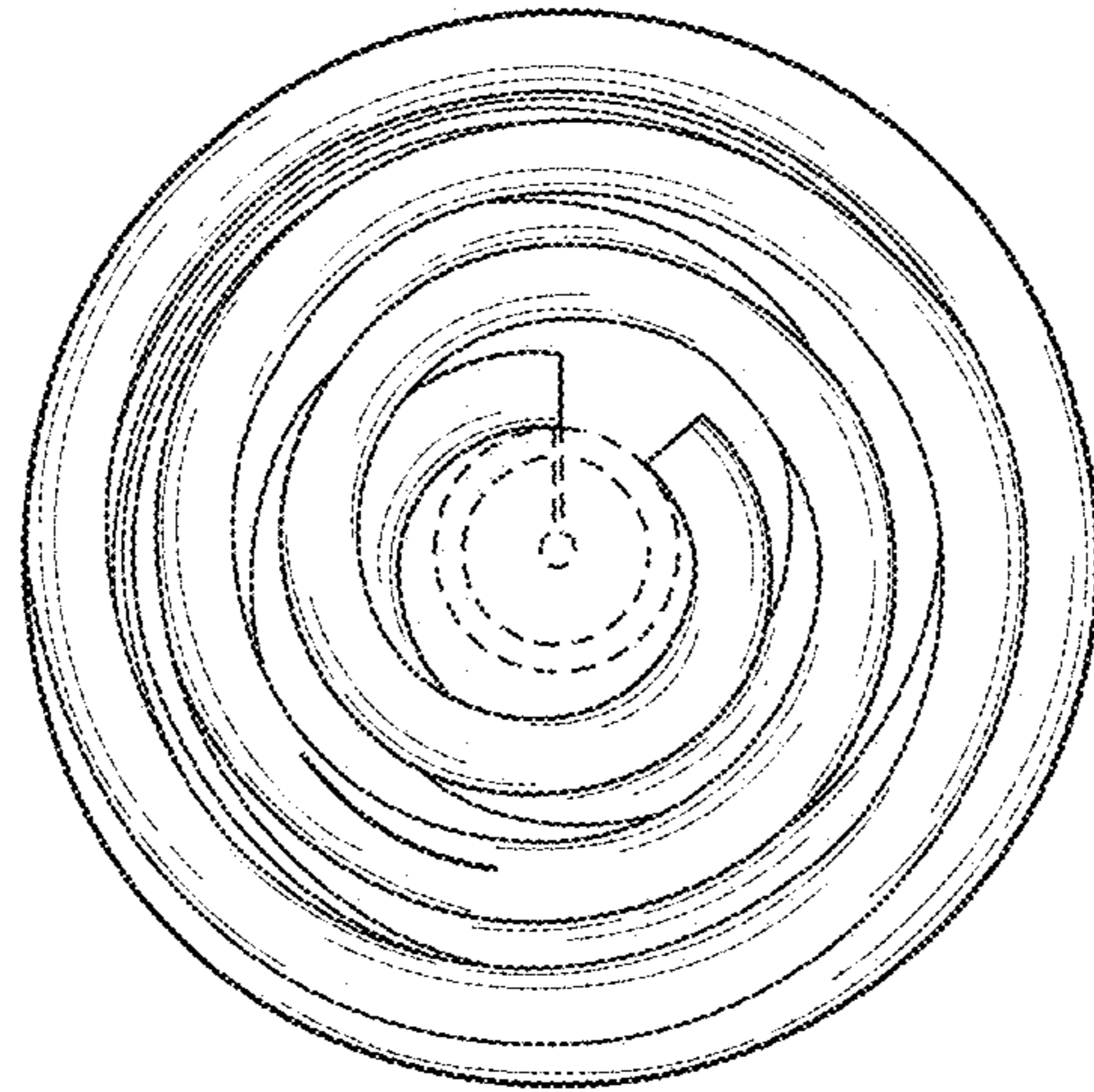


Fig. 7

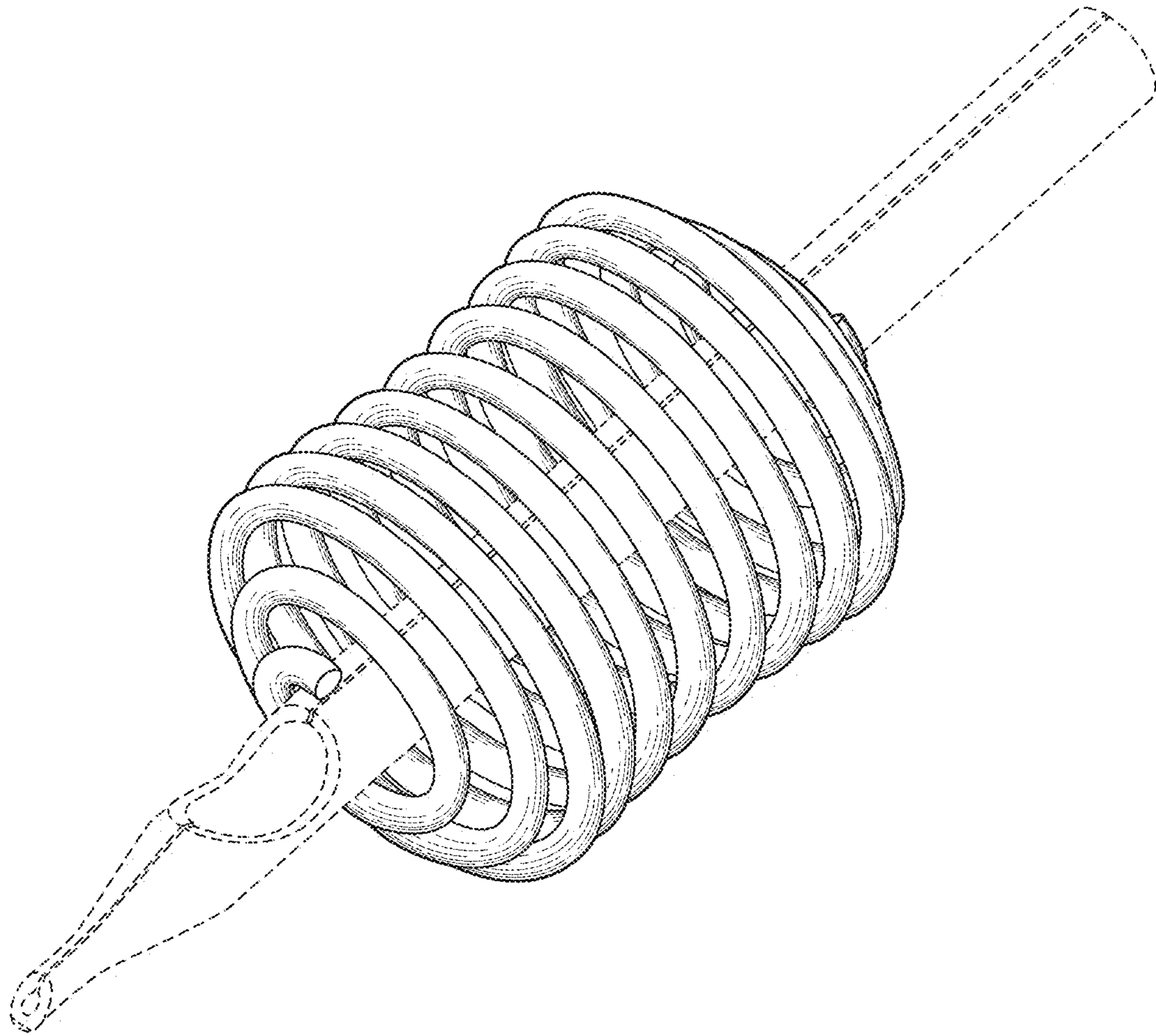


Fig.8

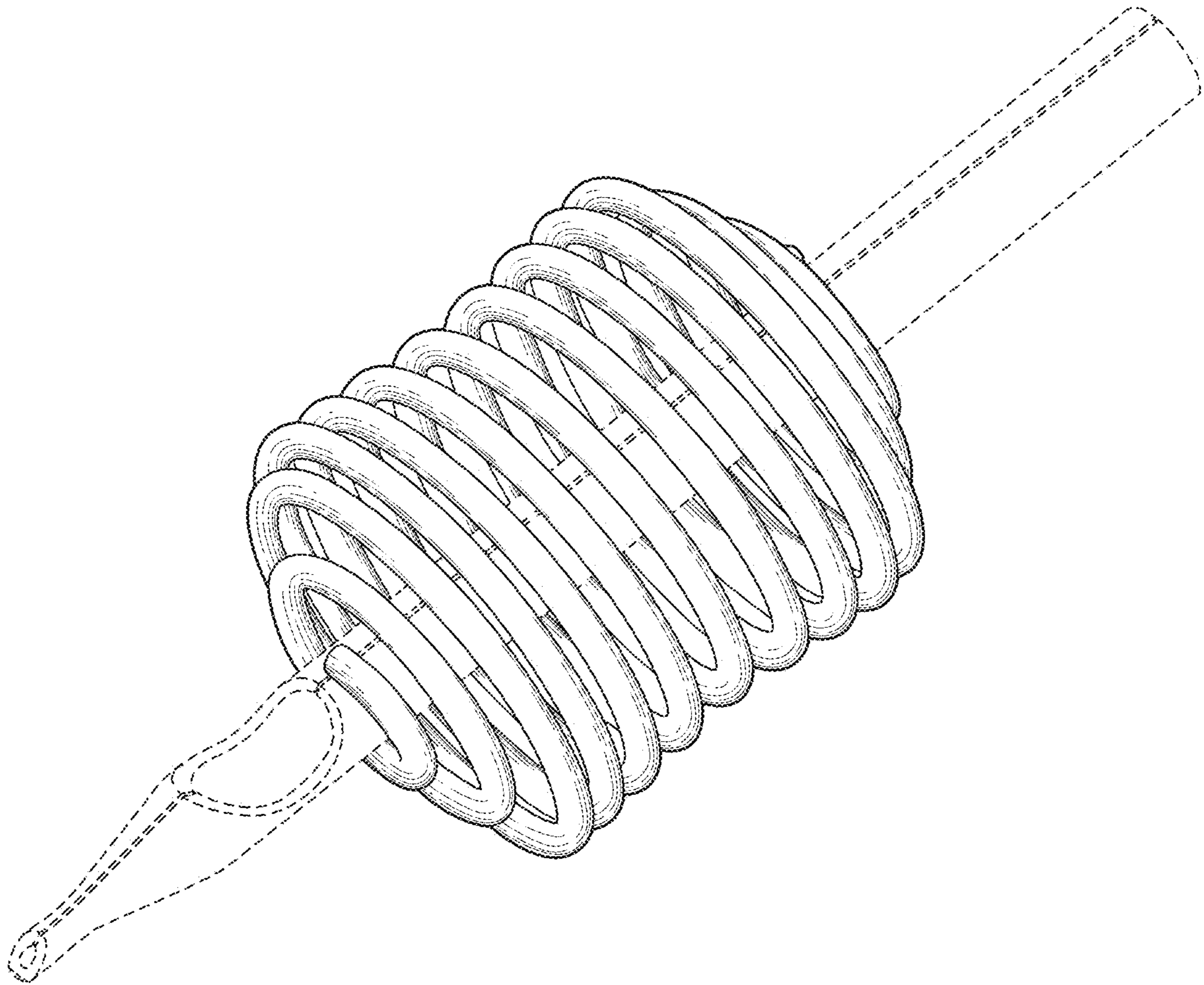


Fig.9

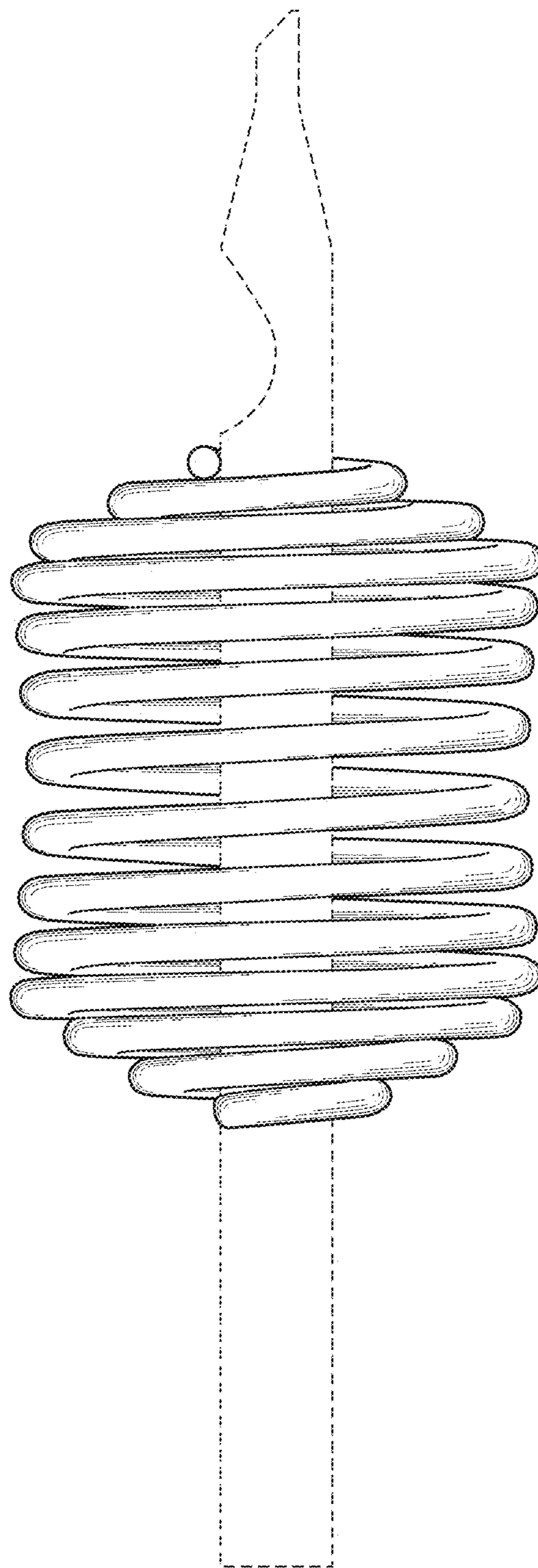


Fig. 10

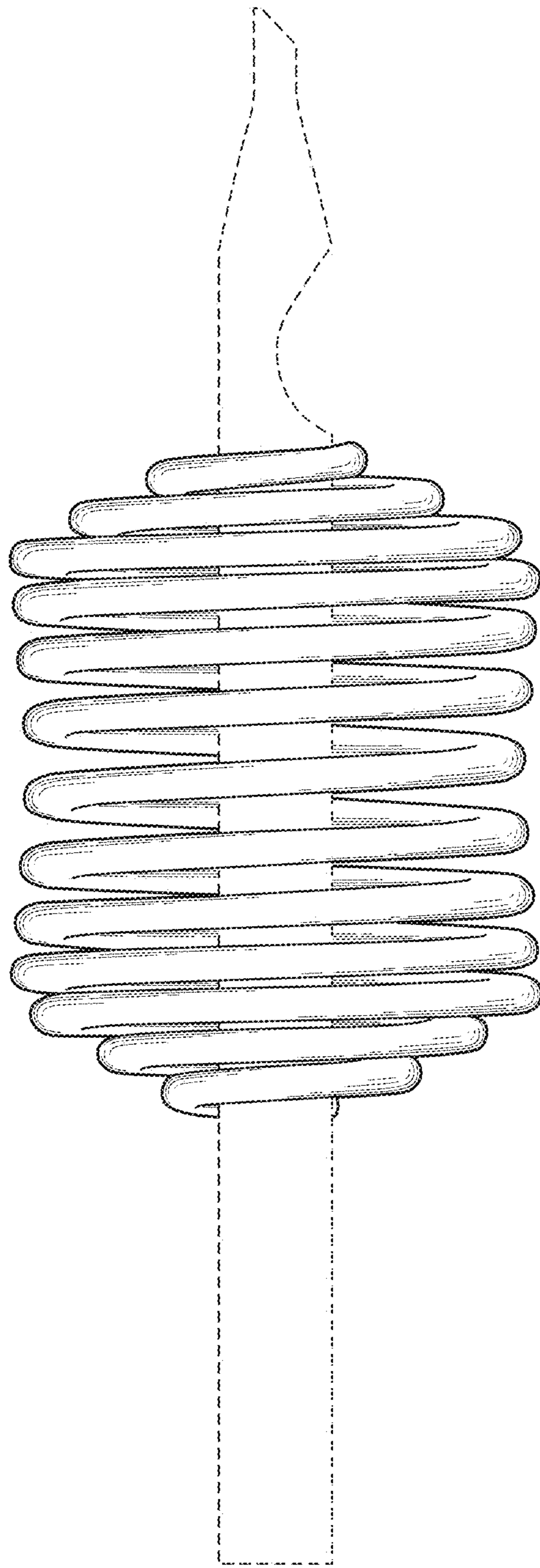


Fig. 11

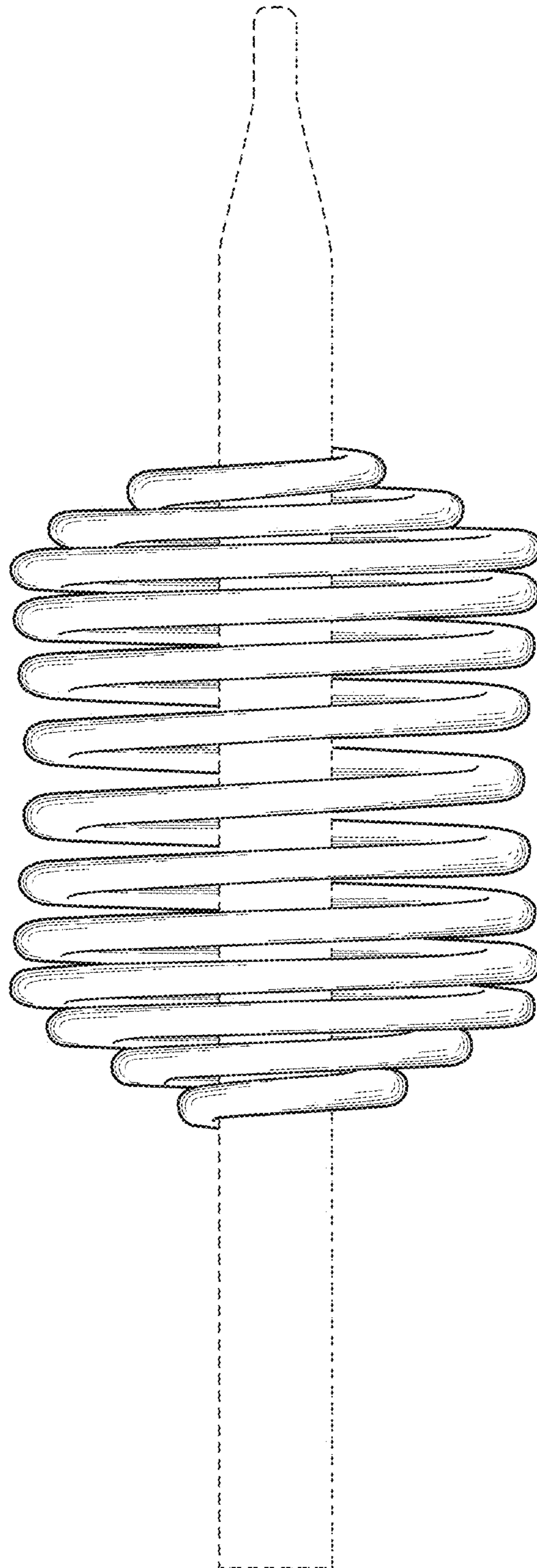


Fig. 12

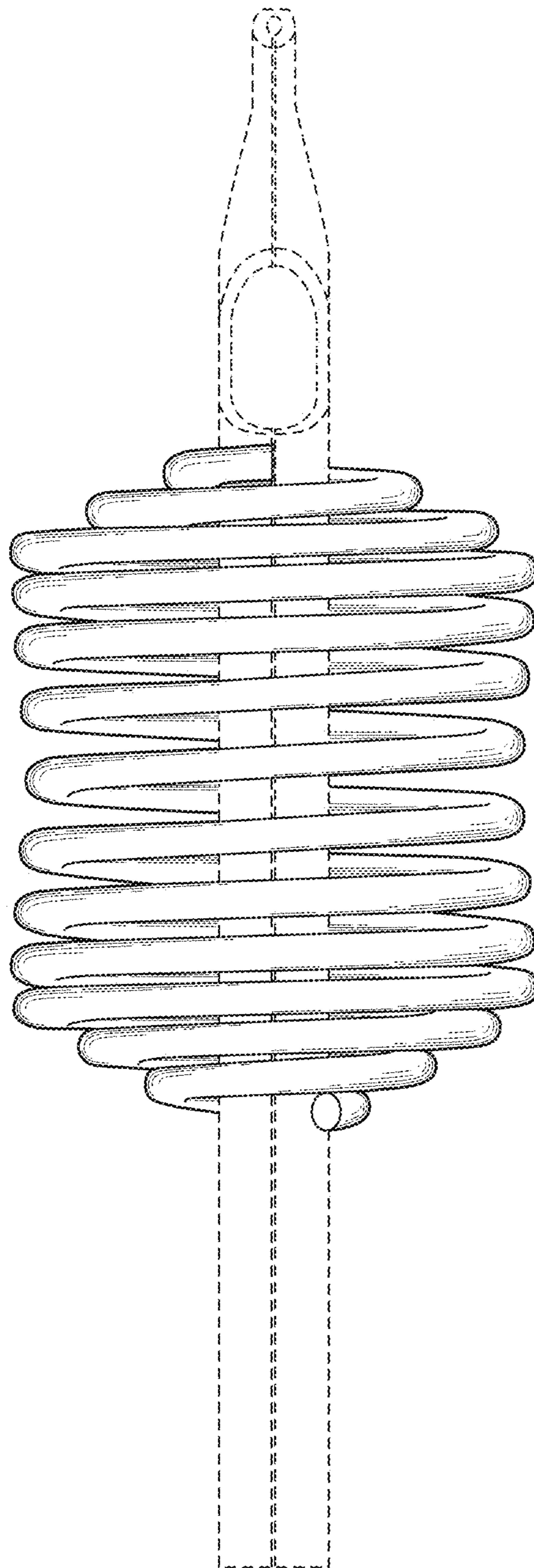


Fig. 13

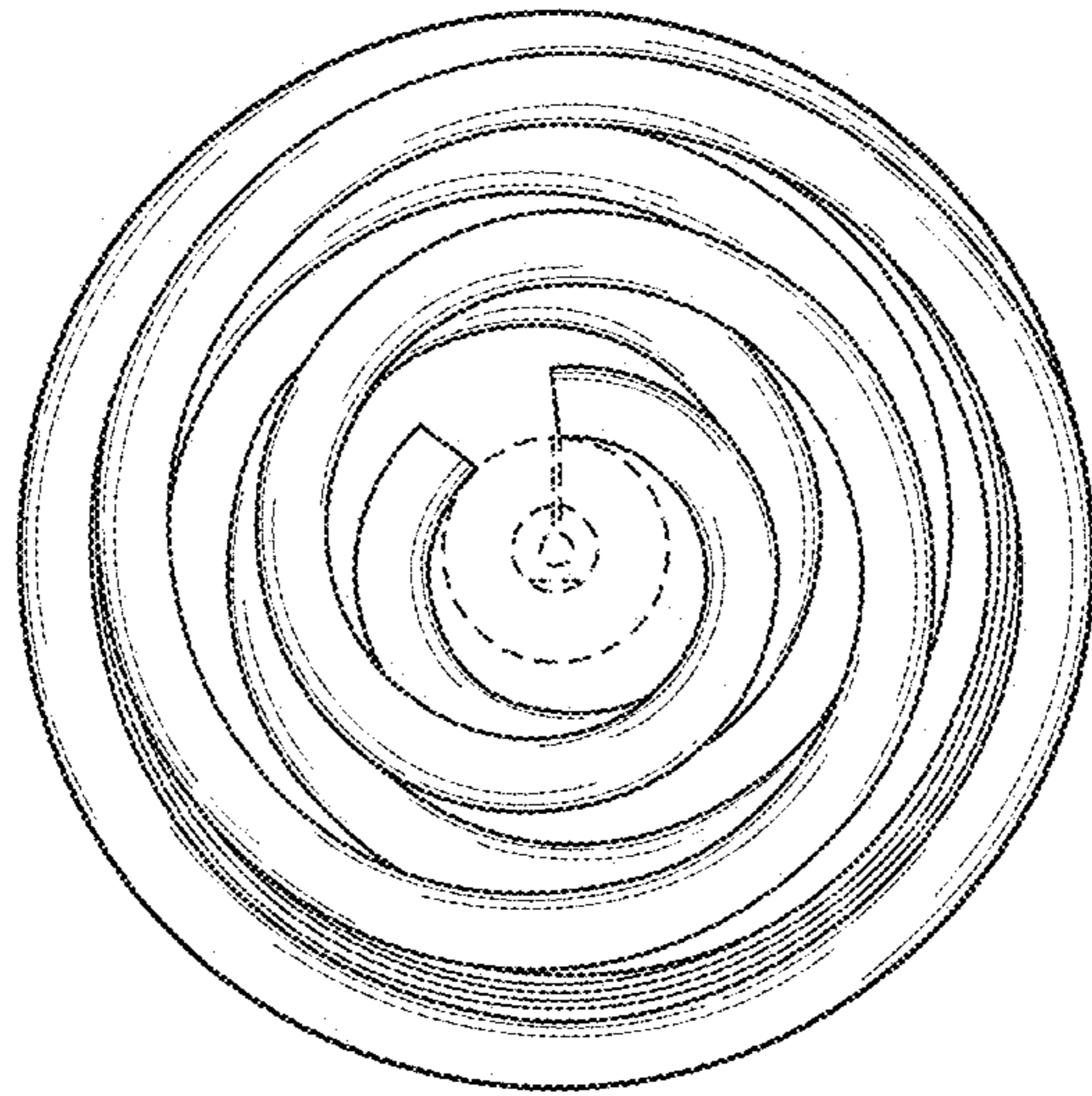


Fig.14

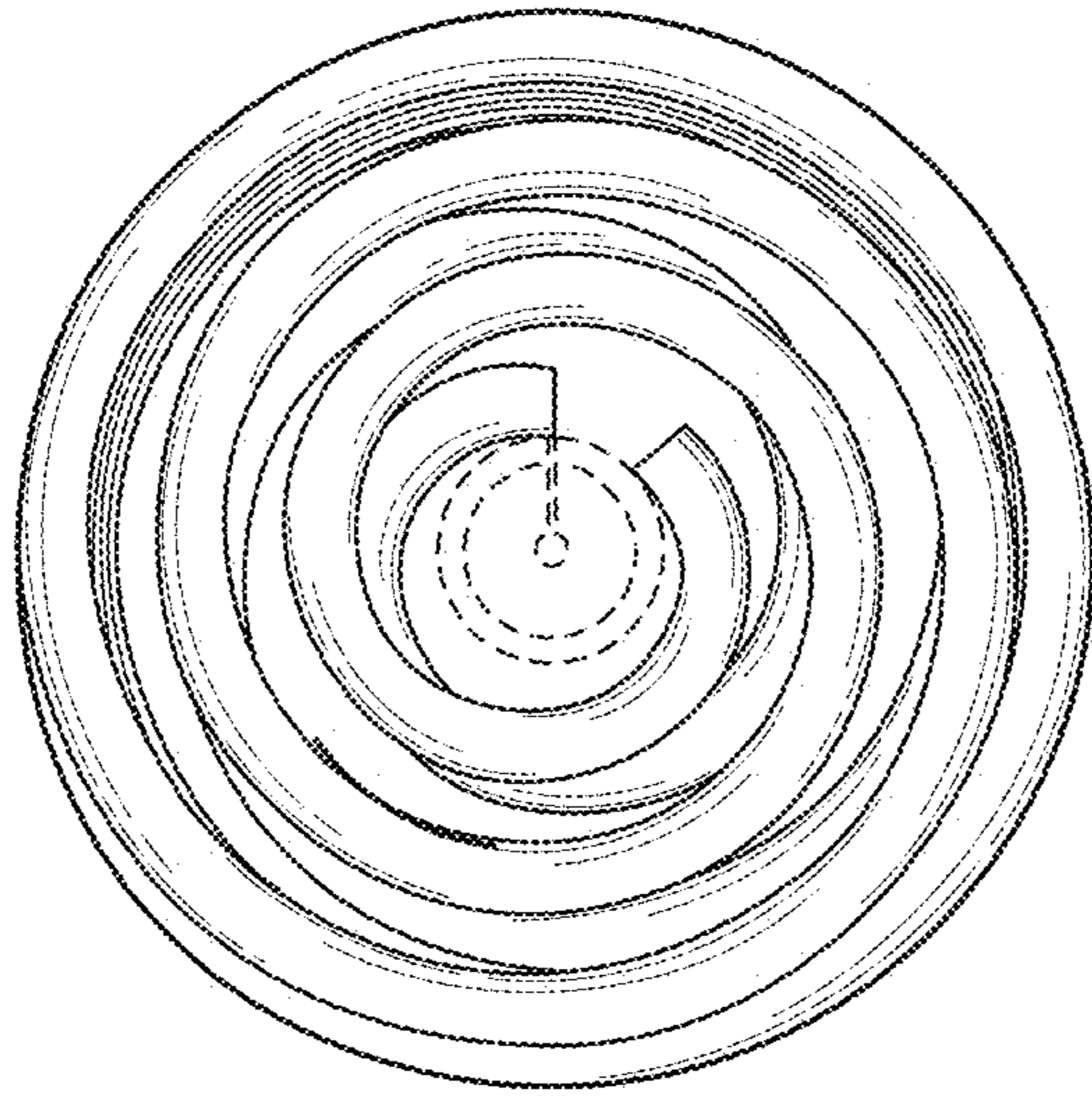


Fig.15

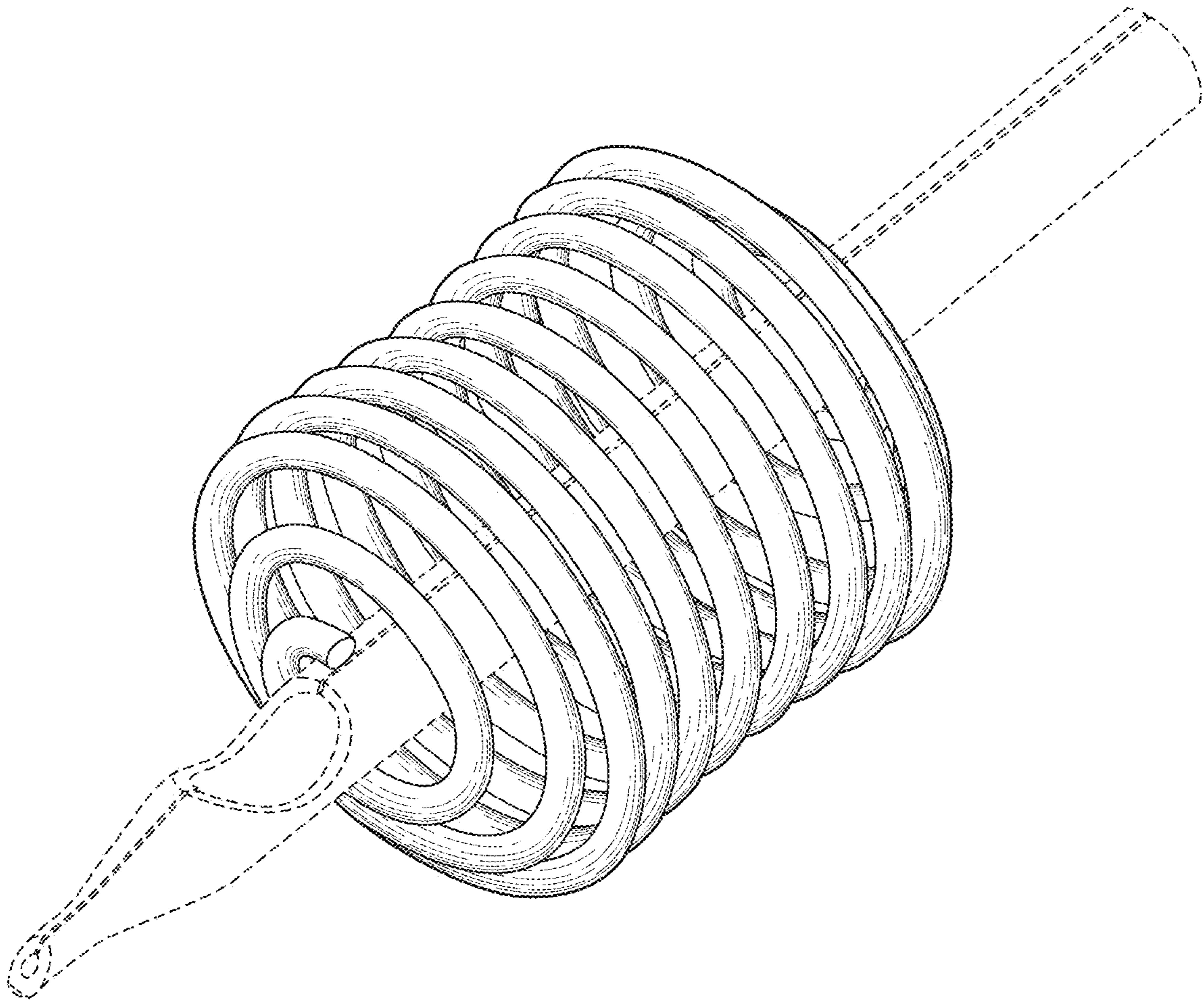


Fig. 16

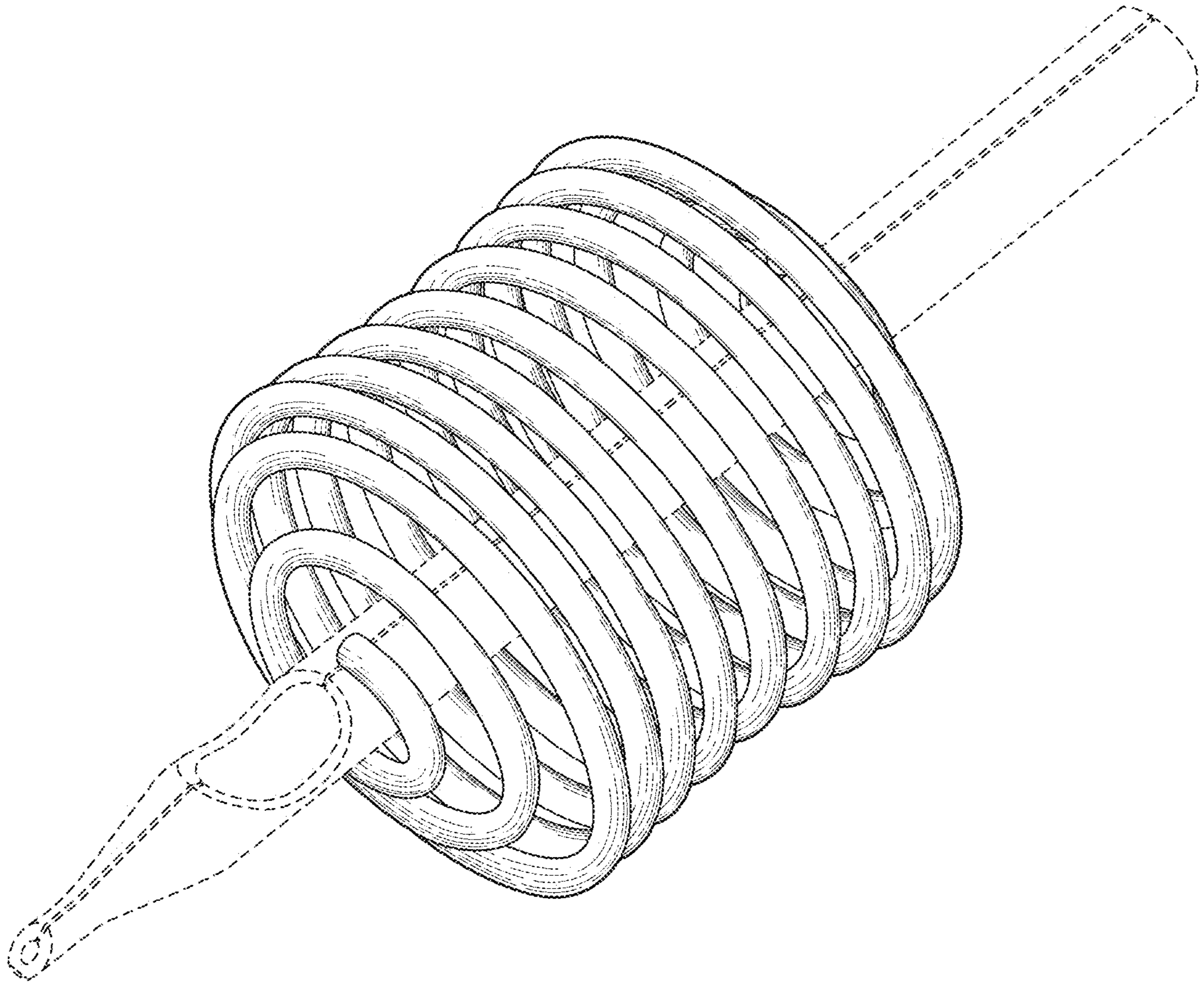


Fig.17

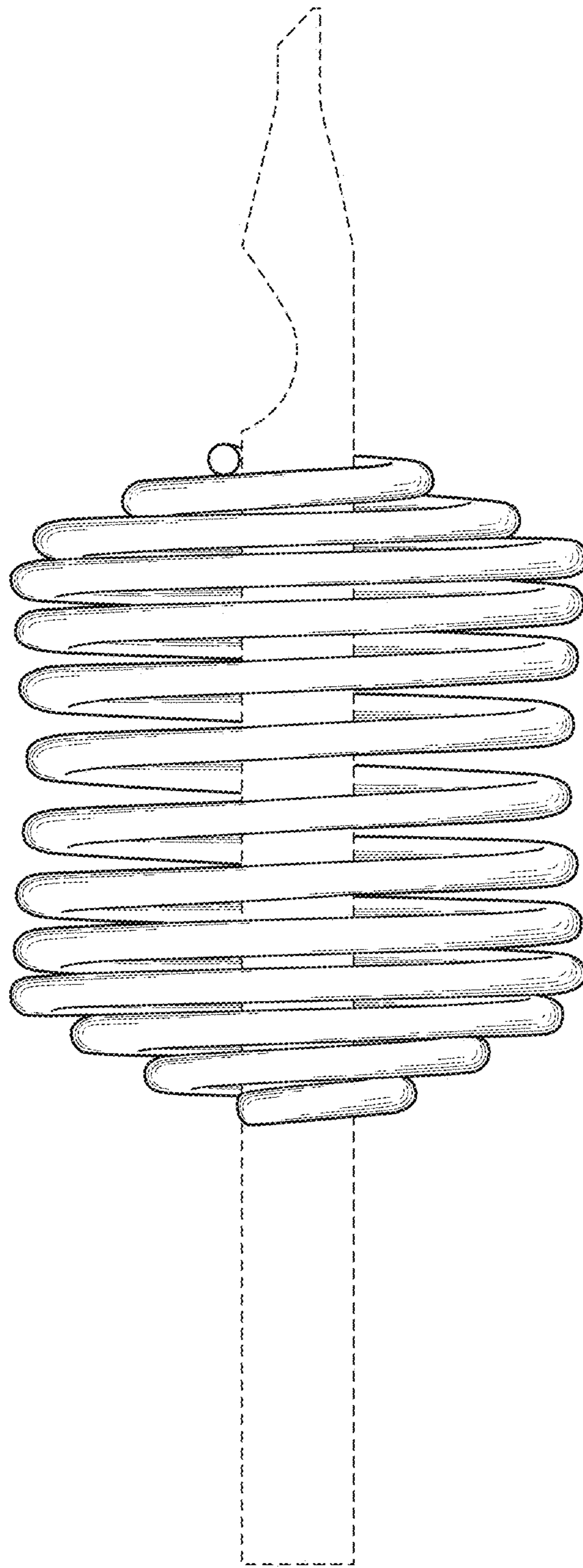


Fig. 18

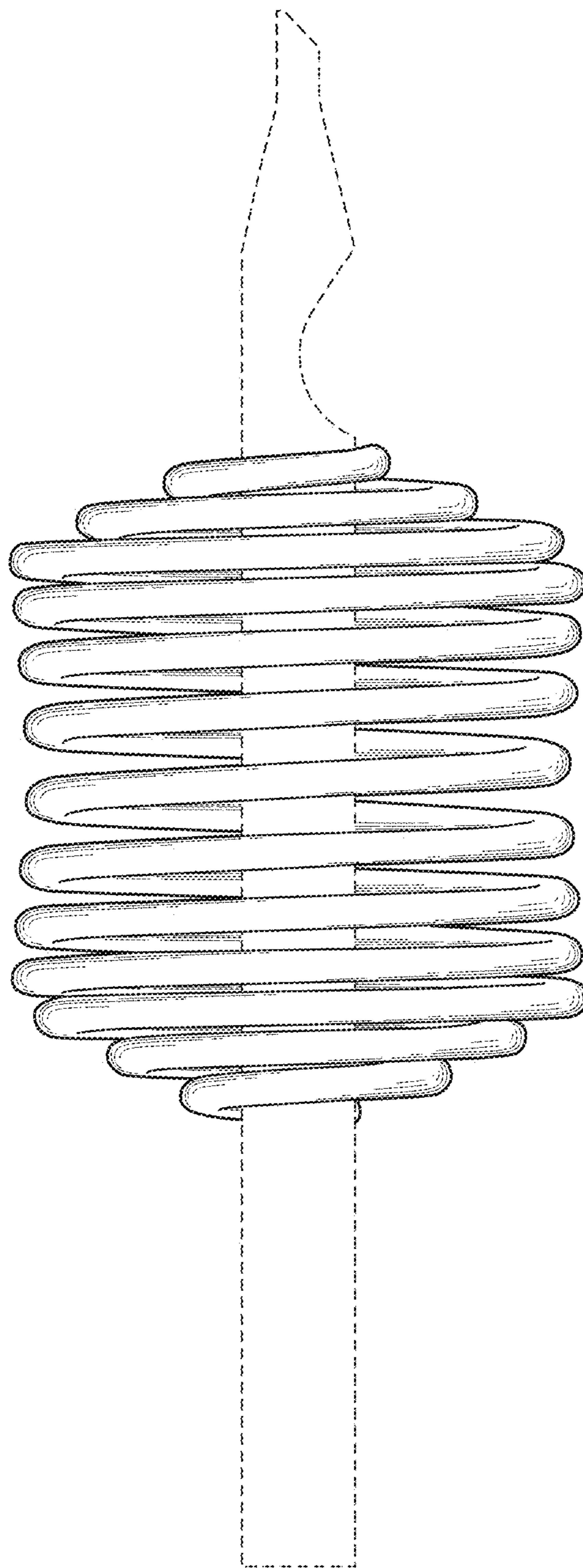


Fig. 19

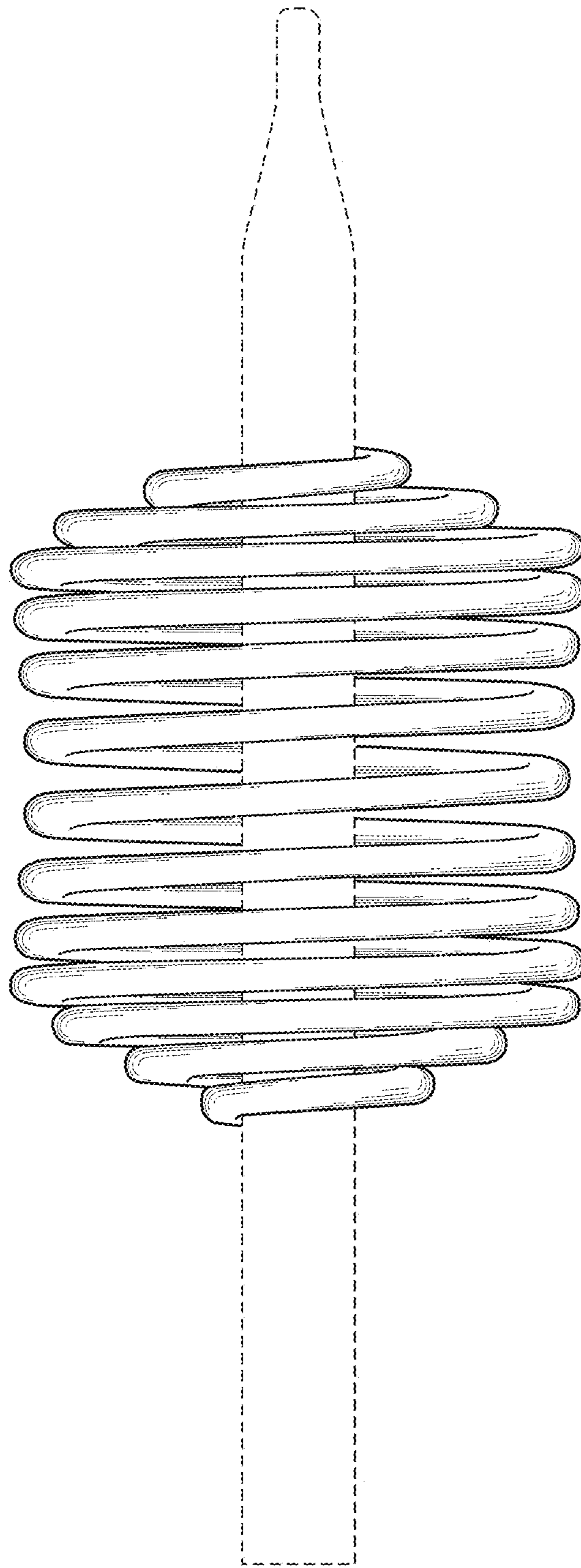


Fig.20

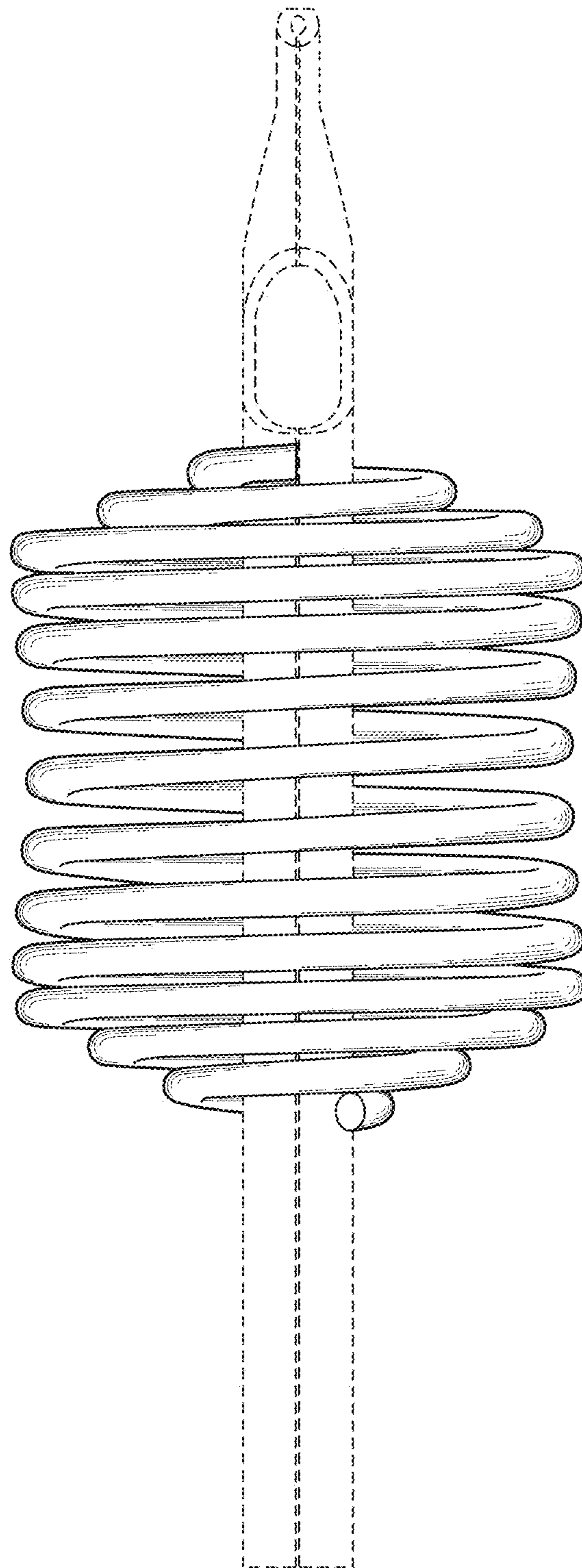


Fig.21

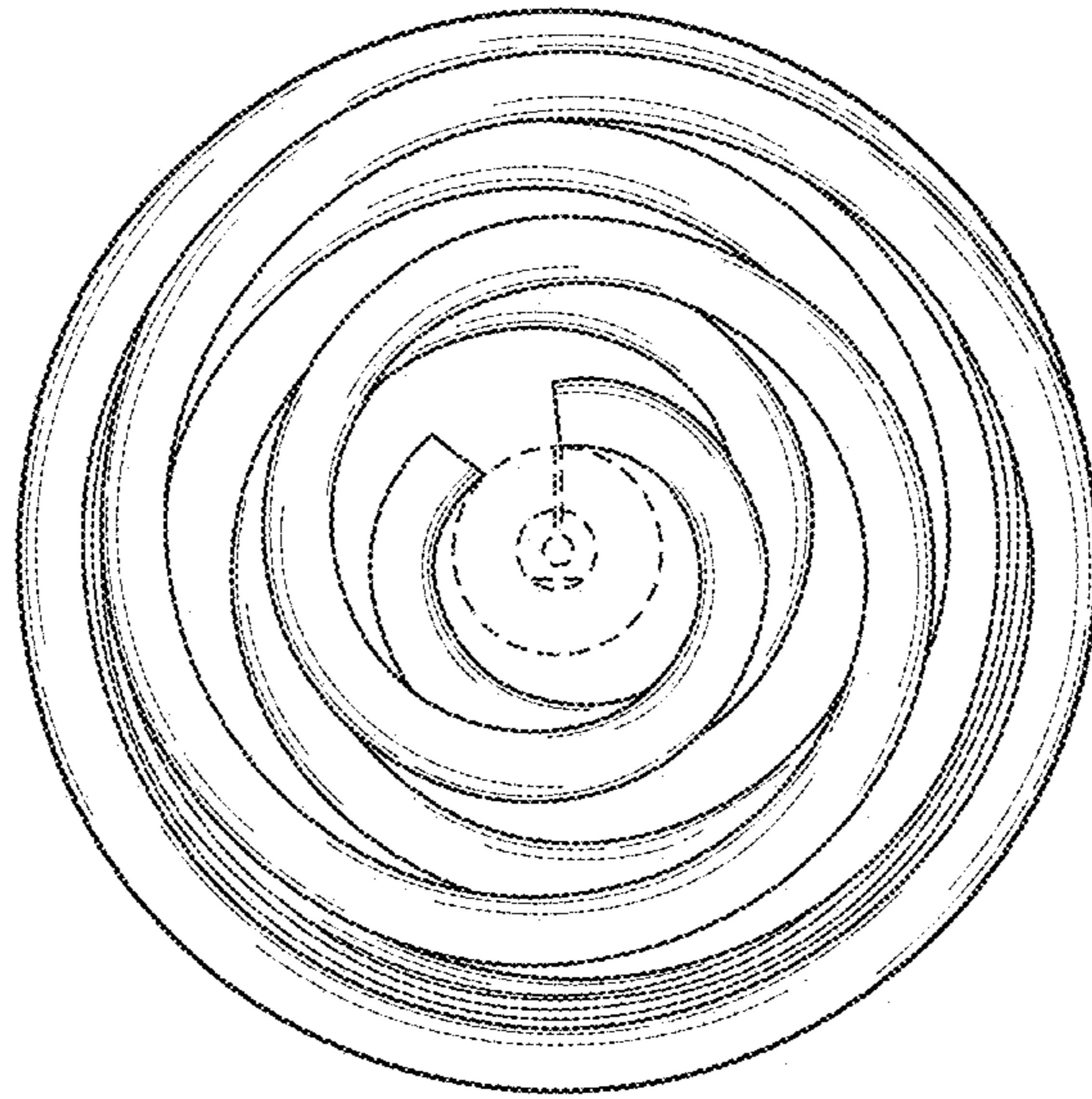


Fig.22

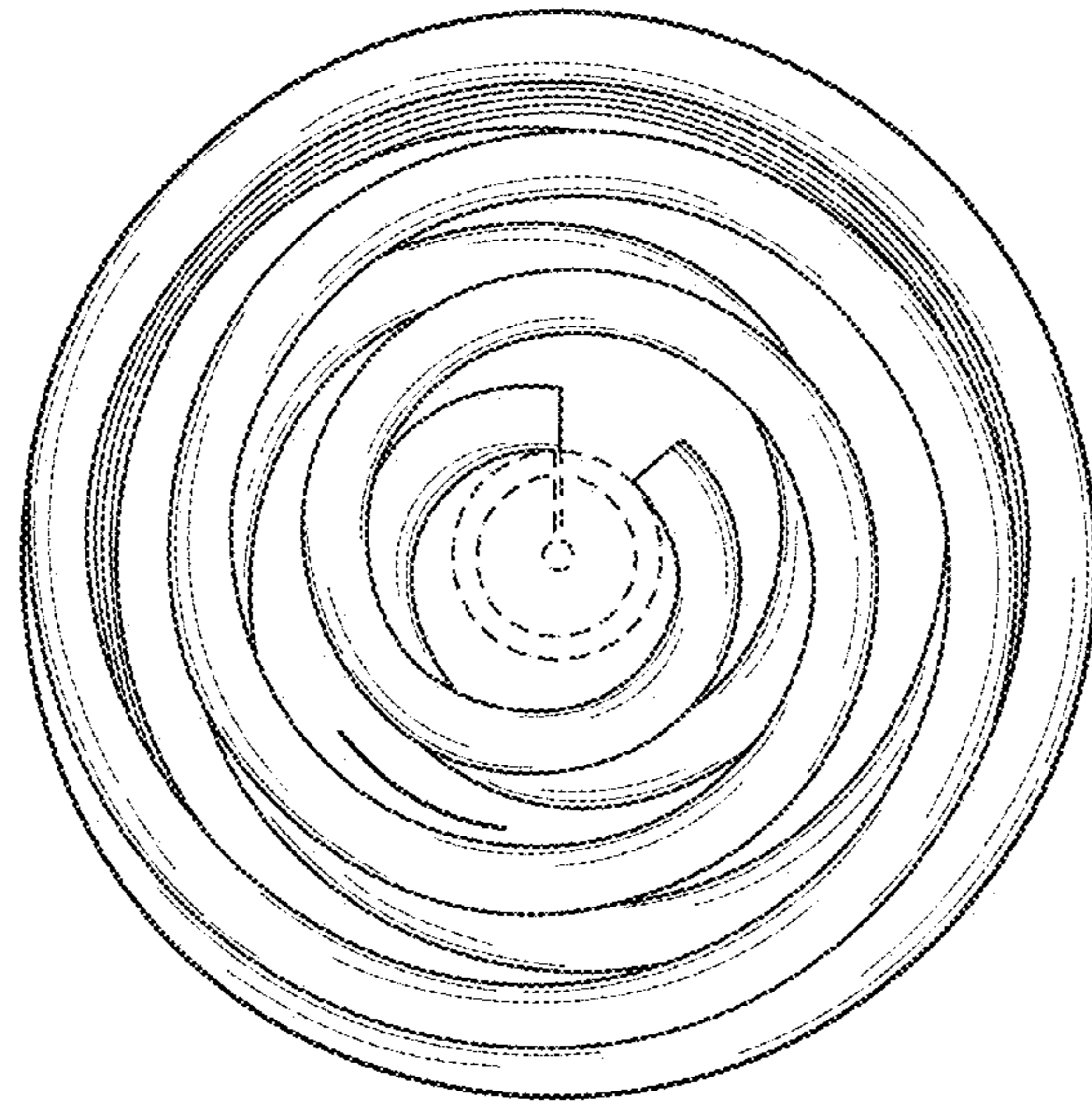


Fig.23

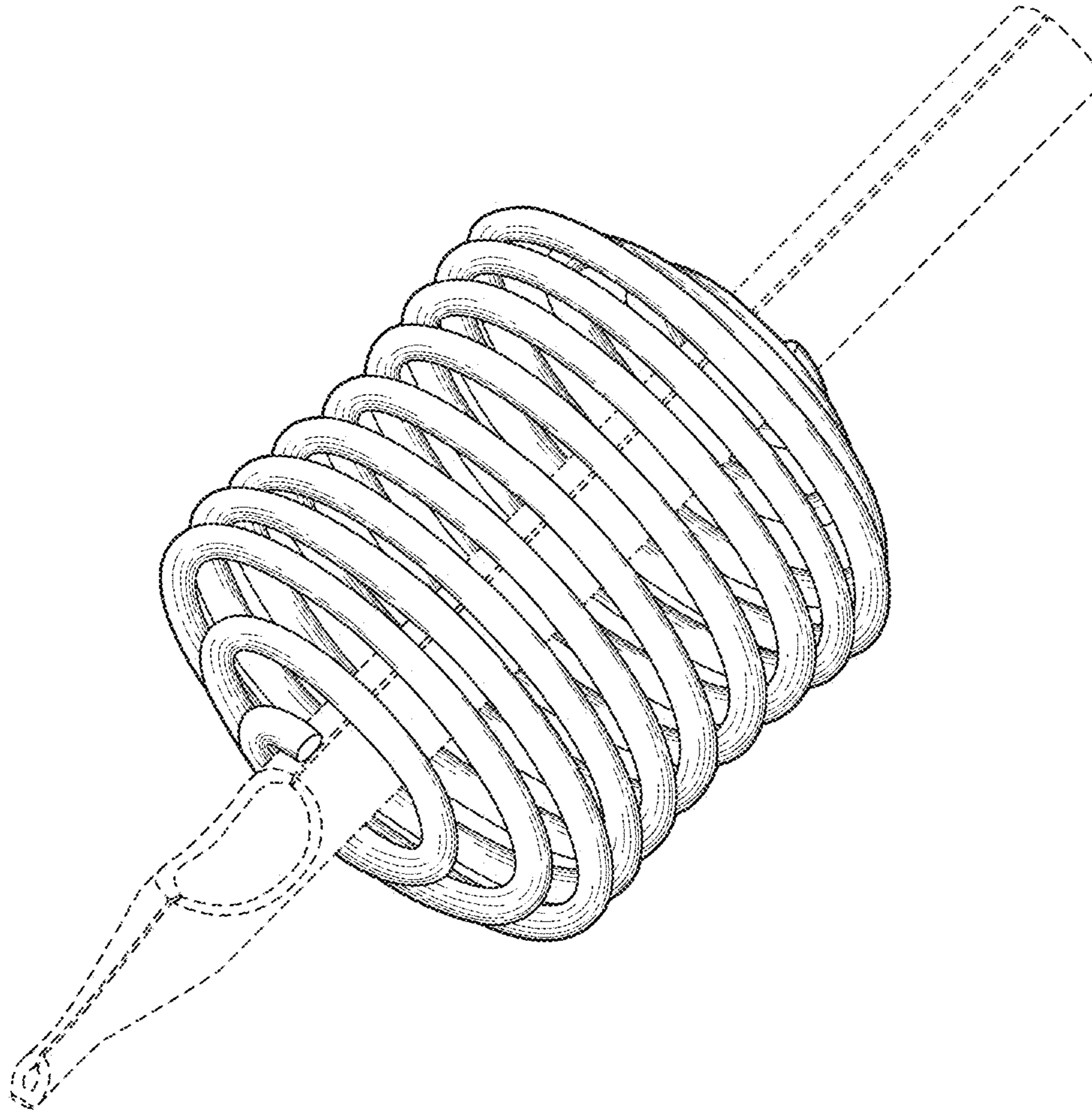


Fig.24