



US00D883476S

(12) **United States Design Patent**
Lofthouse et al.

(10) **Patent No.:** **US D883,476 S**

(45) **Date of Patent:** **** May 5, 2020**

(54) **MULTI-PURPOSE CAP FOR FLUID PORTS**

(71) Applicant: **Fresenius Medical Care Holdings, Inc.**, Waltham, MA (US)

(72) Inventors: **Nicholas Garrett Lofthouse**, Roy, UT (US); **Devon Bradly Hall**, Syracuse, UT (US)

(73) Assignee: **Fresenius Medical Care Holdings, Inc.**, Waltham, MA (US)

(**) Term: **15 Years**

(21) Appl. No.: **29/669,914**

(22) Filed: **Nov. 13, 2018**

(51) **LOC (12) Cl.** **24-02**

(52) **U.S. Cl.**
USPC **D24/127**

(58) **Field of Classification Search**
USPC D24/112–114, 108, 130, 127, 133, 186;
606/181, 185; 604/264, 523–528, 272,
604/164.01–164.11, 187, 93.01; 600/101,
600/139, 143; 128/200.24, 207.14,
128/207.15; D9/772, 773, 774, 549, 556,
D9/452, 453
CPC .. A61M 25/065; A61M 5/42; A61M 25/0612;
A61M 25/00; A61M 39/00; A61M 27/00;
A61M 25/0043; A61M 25/0067; A61M
25/0097; A61F 2/958
See application file for complete search history.

(56) **References Cited**

U.S. PATENT DOCUMENTS

D444,064 S * 6/2001 Crawford D9/439
D444,065 S * 6/2001 Crawford D9/439

D449,784 S * 10/2001 Crawford D9/453
D535,189 S * 1/2007 Pitman D9/452
D542,133 S * 5/2007 Haber D9/453
D606,401 S * 12/2009 Kamath D9/453
D675,096 S * 1/2013 Obrist D9/453
D675,526 S * 2/2013 Obrist D9/453
D679,597 S * 4/2013 Tamarindo D9/443
D680,001 S * 4/2013 Miceli D9/441
D684,057 S * 6/2013 Kwon D9/453
D817,760 S * 5/2018 Petrosino D9/452
D869,275 S * 12/2019 Taunk D9/453

* cited by examiner

Primary Examiner — David G Muller

(74) *Attorney, Agent, or Firm* — Kilyk & Bowersox, P.L.L.C.

(57) **CLAIM**

The ornamental design for a multi-purpose cap for fluid ports, as shown and described.

DESCRIPTION

FIG. 1 is a perspective view as viewed from front and top direction thereof of a multi-purpose cap for fluid ports showing our new design;

FIG. 2 is a perspective view as viewed from rear and bottom direction thereof;

FIG. 3 is front view thereof;

FIG. 4 is a rear view thereof;

FIG. 5 is a left side view thereof;

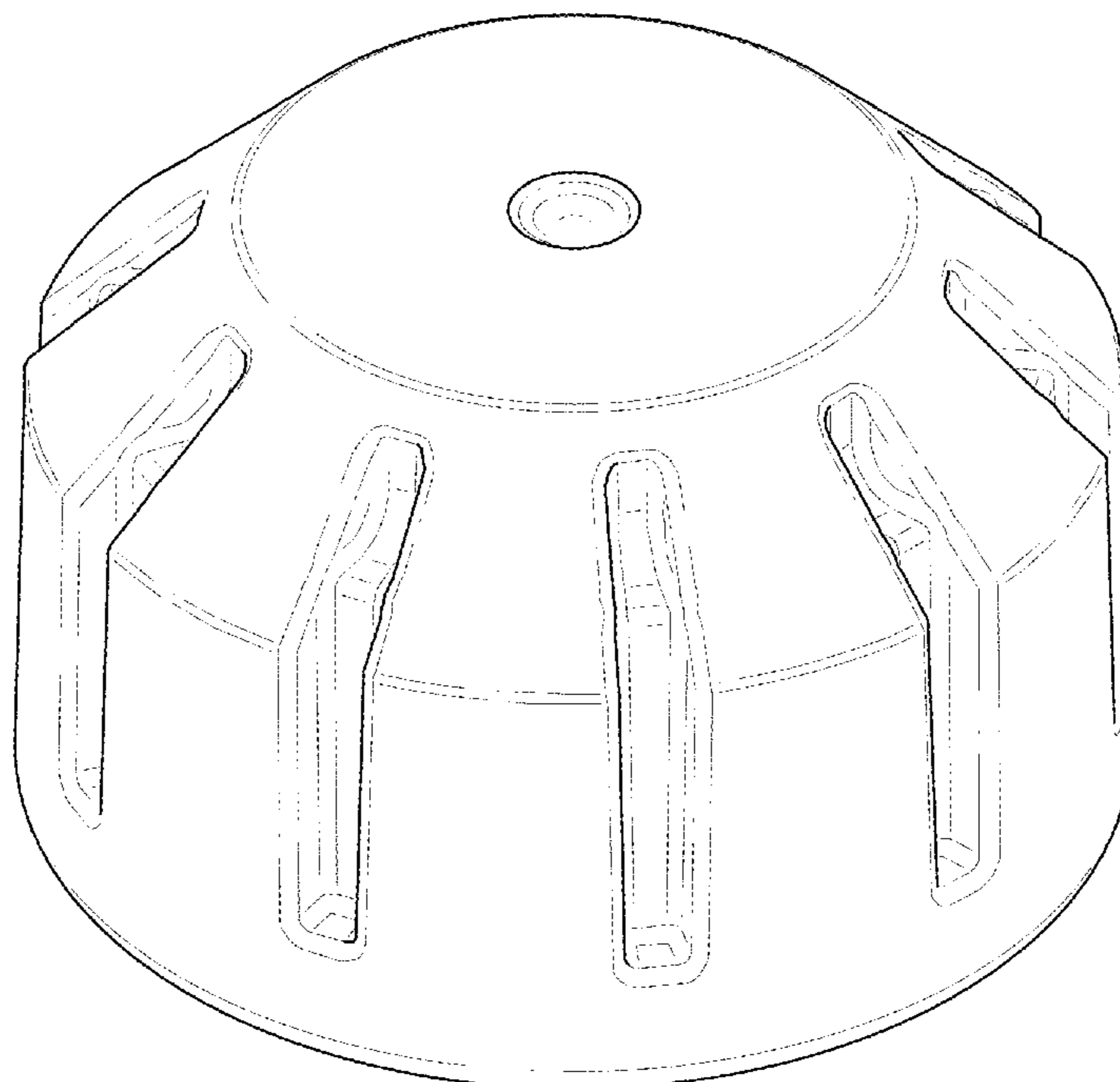
FIG. 6 is a right side view thereof;

FIG. 7 is a top view thereof; and,

FIG. 8 is a bottom view thereof.

The broken lines shown are included for purposes of illustration only and form no part of the claimed design.

1 Claim, 6 Drawing Sheets



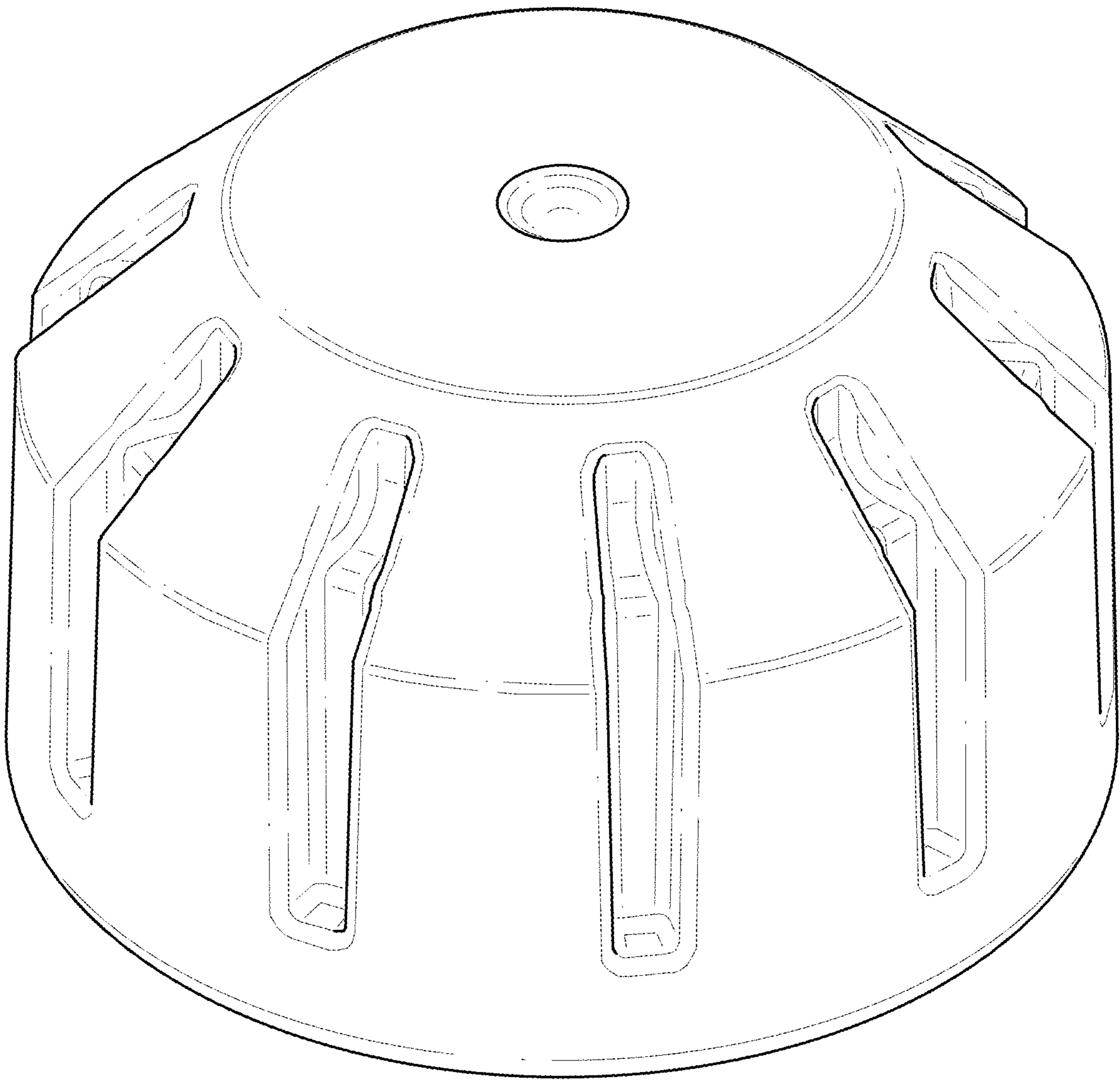


FIG. 1

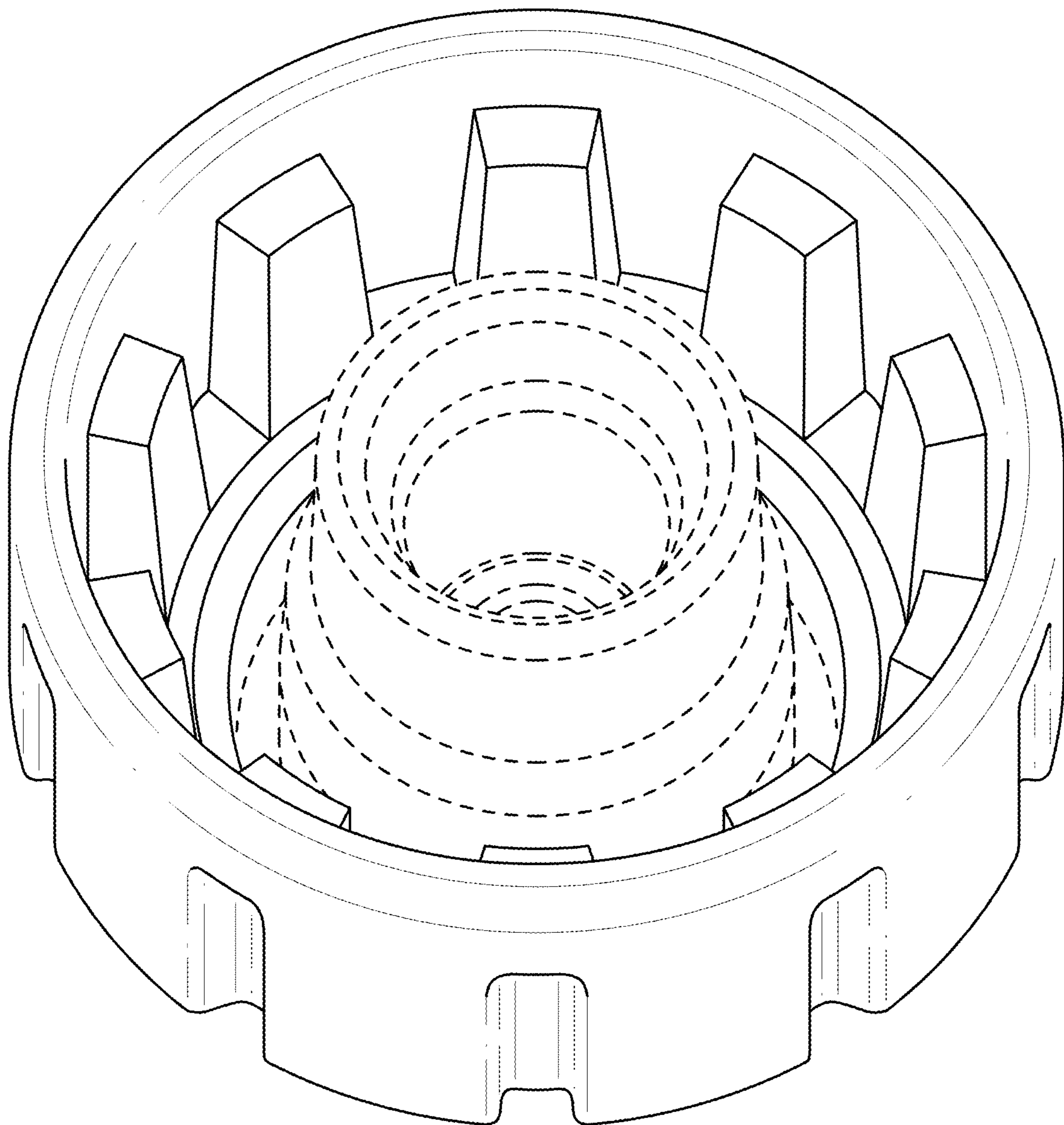


FIG. 2

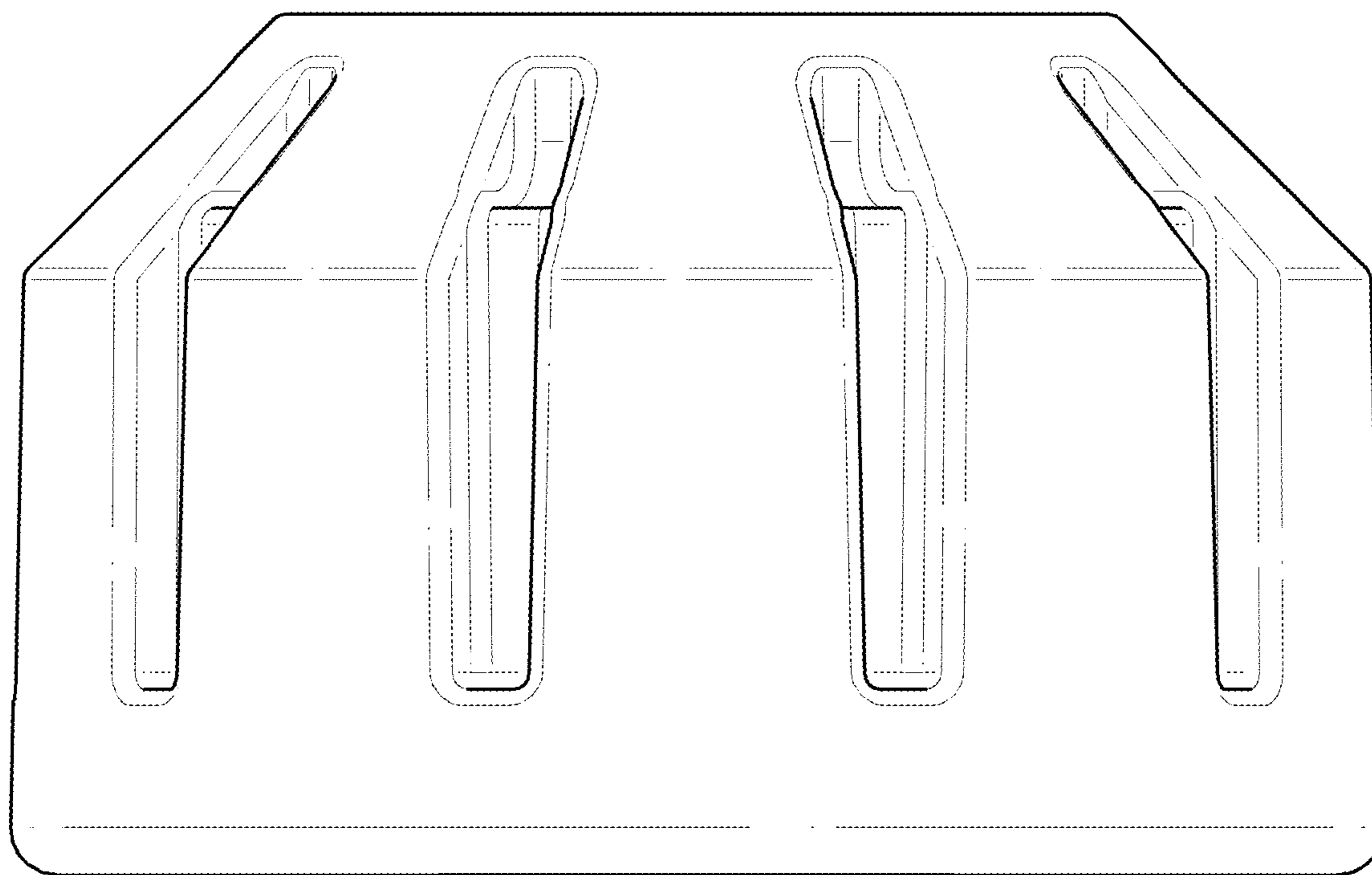


FIG. 3

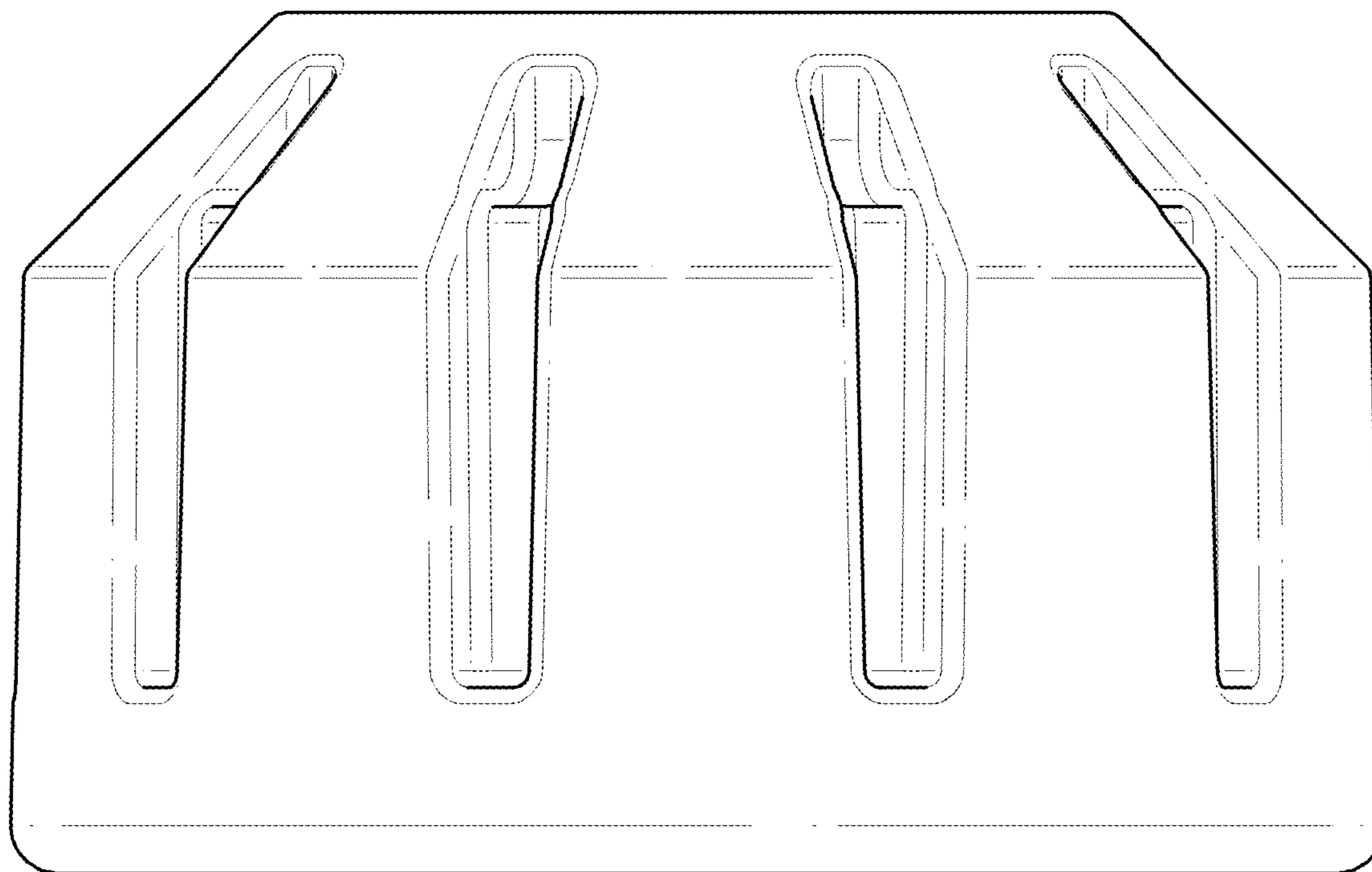


FIG. 4

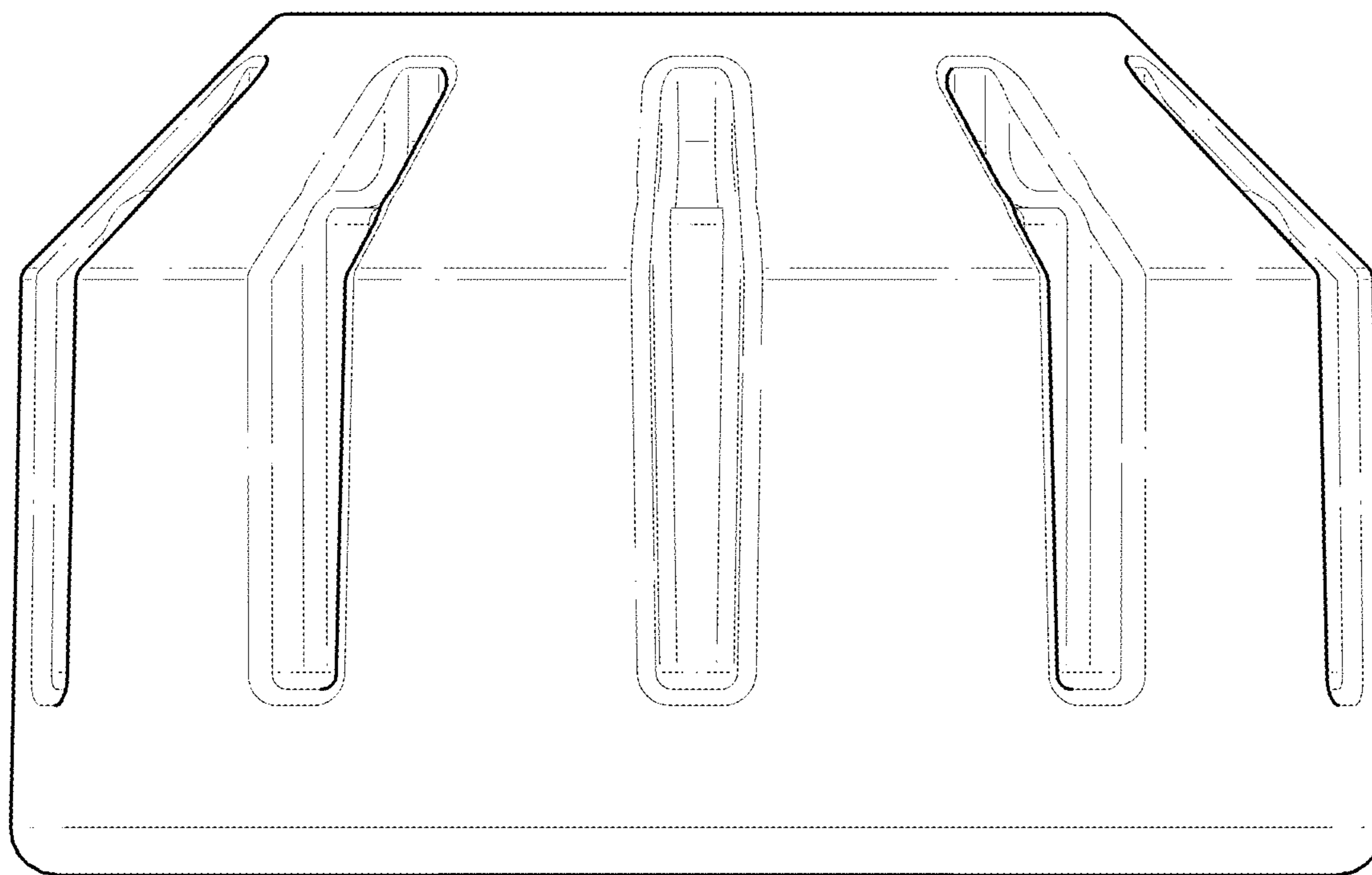


FIG. 5

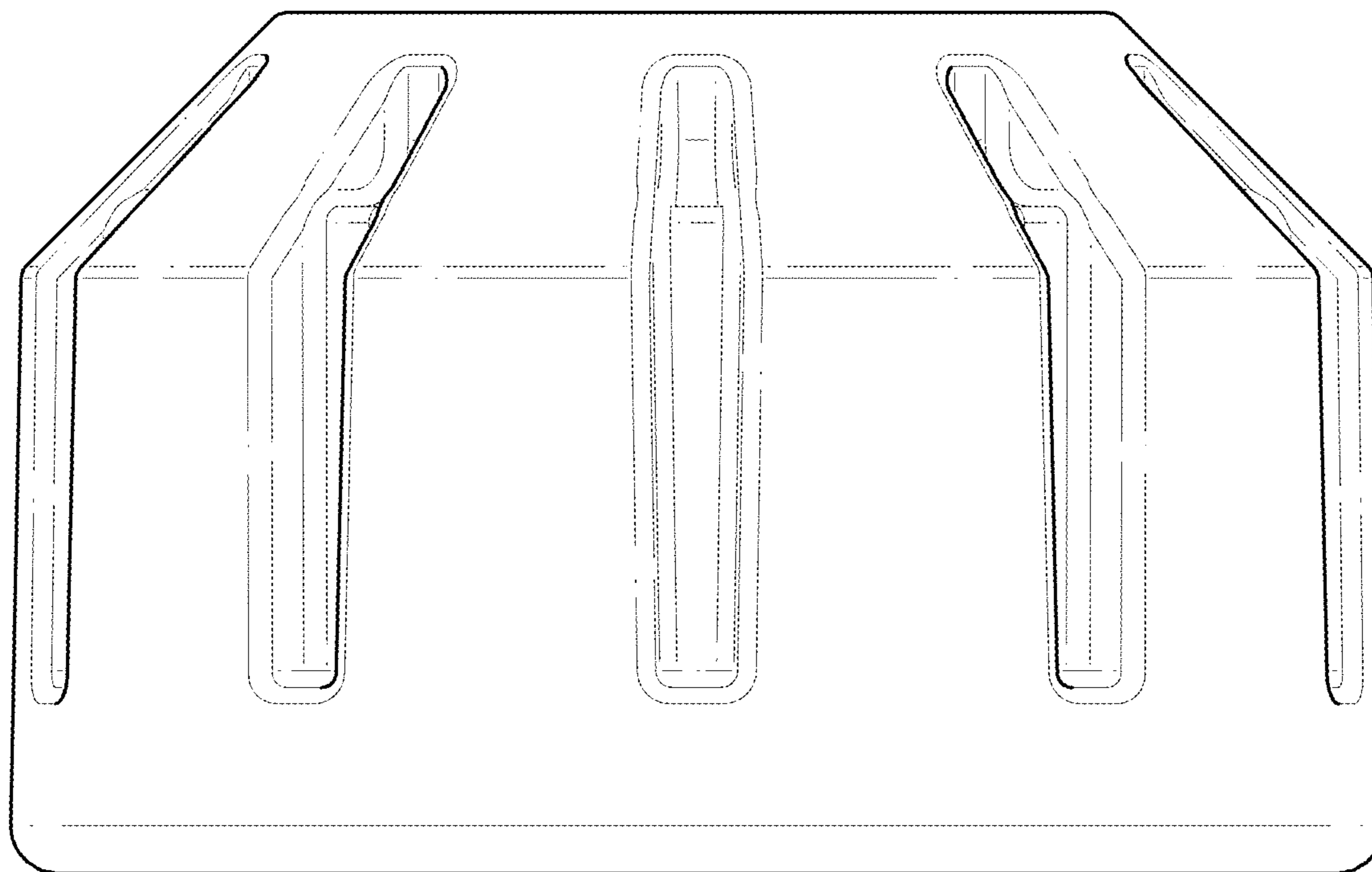


FIG. 6

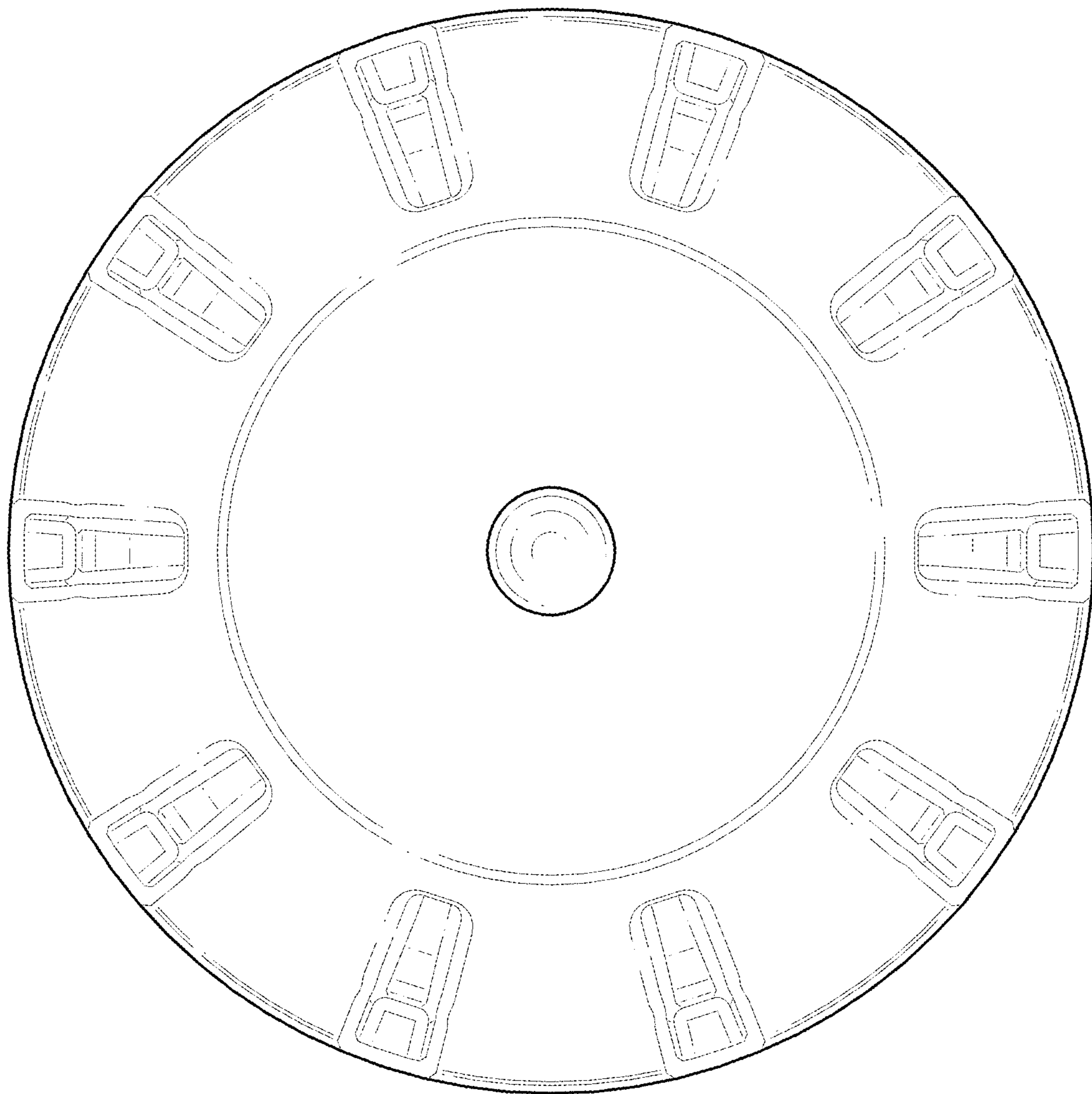


FIG. 7

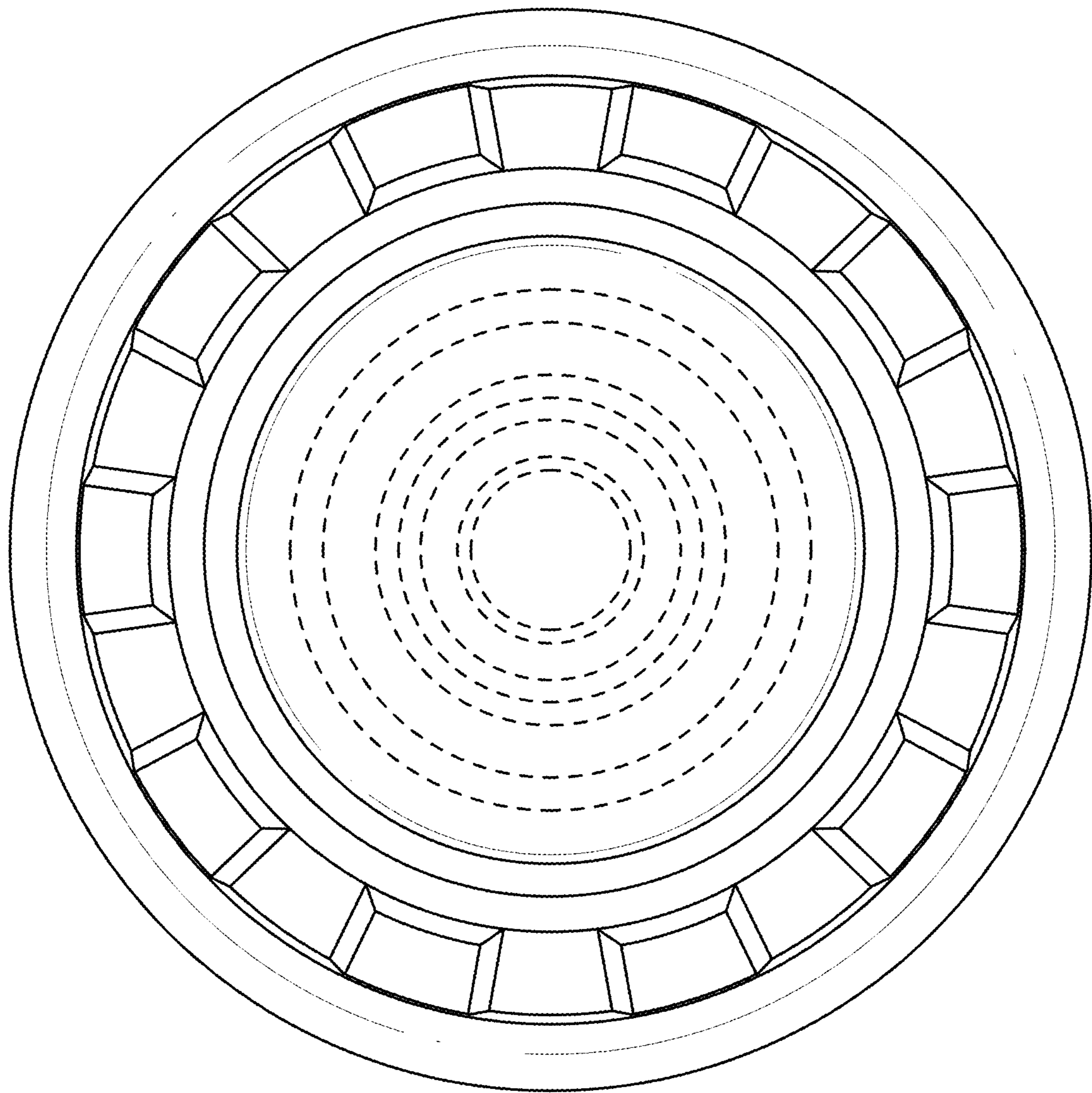


FIG. 8