



US00D883474S

(12) **United States Design Patent** (10) **Patent No.:** **US D883,474 S**  
**Tipsmark** (45) **Date of Patent:** **\*\* May 5, 2020**

(54) **MEDICAL DEVICE**  
(71) Applicant: **Unomedical A/S**, Osted (DK)  
(72) Inventor: **Henrik Tipsmark**, Roskilde (DK)  
(73) Assignee: **Unomedical A/S** (DK)  
(\*\*) Term: **15 Years**  
(21) Appl. No.: **29/636,797**  
(22) Filed: **Feb. 12, 2018**  
(51) **LOC (12) Cl.** ..... **24-02**  
(52) **U.S. Cl.**  
USPC ..... **D24/113**  
(58) **Field of Classification Search**  
USPC ..... D24/112–114, 108, 133, 130, 127, 186;  
606/181, 185; 604/264, 272, 187, 181,  
604/184, 227  
CPC ..... A61M 5/178; A61M 5/20  
See application file for complete search history.

D810,280 S \* 2/2018 Tharp ..... D24/112  
10,065,002 B2 \* 9/2018 Laugere ..... A61M 5/31596  
D829,890 S \* 10/2018 Denzer ..... D24/113  
D831,191 S \* 10/2018 Hubanks ..... D24/110

\* cited by examiner

*Primary Examiner* — David G Muller  
(74) *Attorney, Agent, or Firm* — Saidman DesignLaw Group, LLC

(57) **CLAIM**

The ornamental design for a medical device, as shown and described.

**DESCRIPTION**

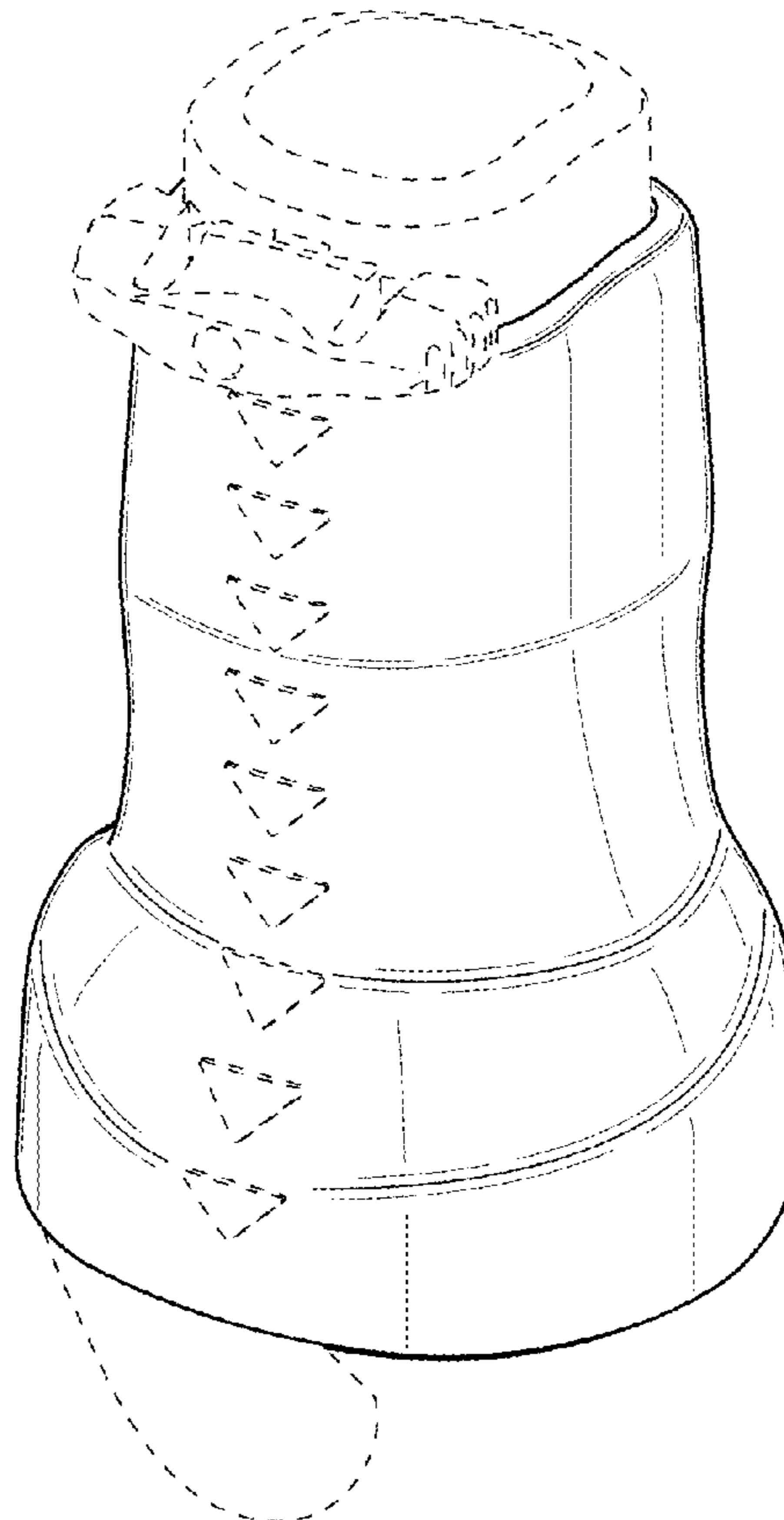
FIG. 1 is a front, perspective view of a medical device showing my new design;  
FIG. 2 is a rear, perspective view thereof;  
FIG. 3 is a front view thereof;  
FIG. 4 is a rear view thereof;  
FIG. 5 is a left side view thereof;  
FIG. 6 is a right side view thereof;  
FIG. 7 is a top view thereof; and,  
FIG. 8 is a bottom view thereof.  
The broken lines illustrate structure or features which form no part of the claimed design.

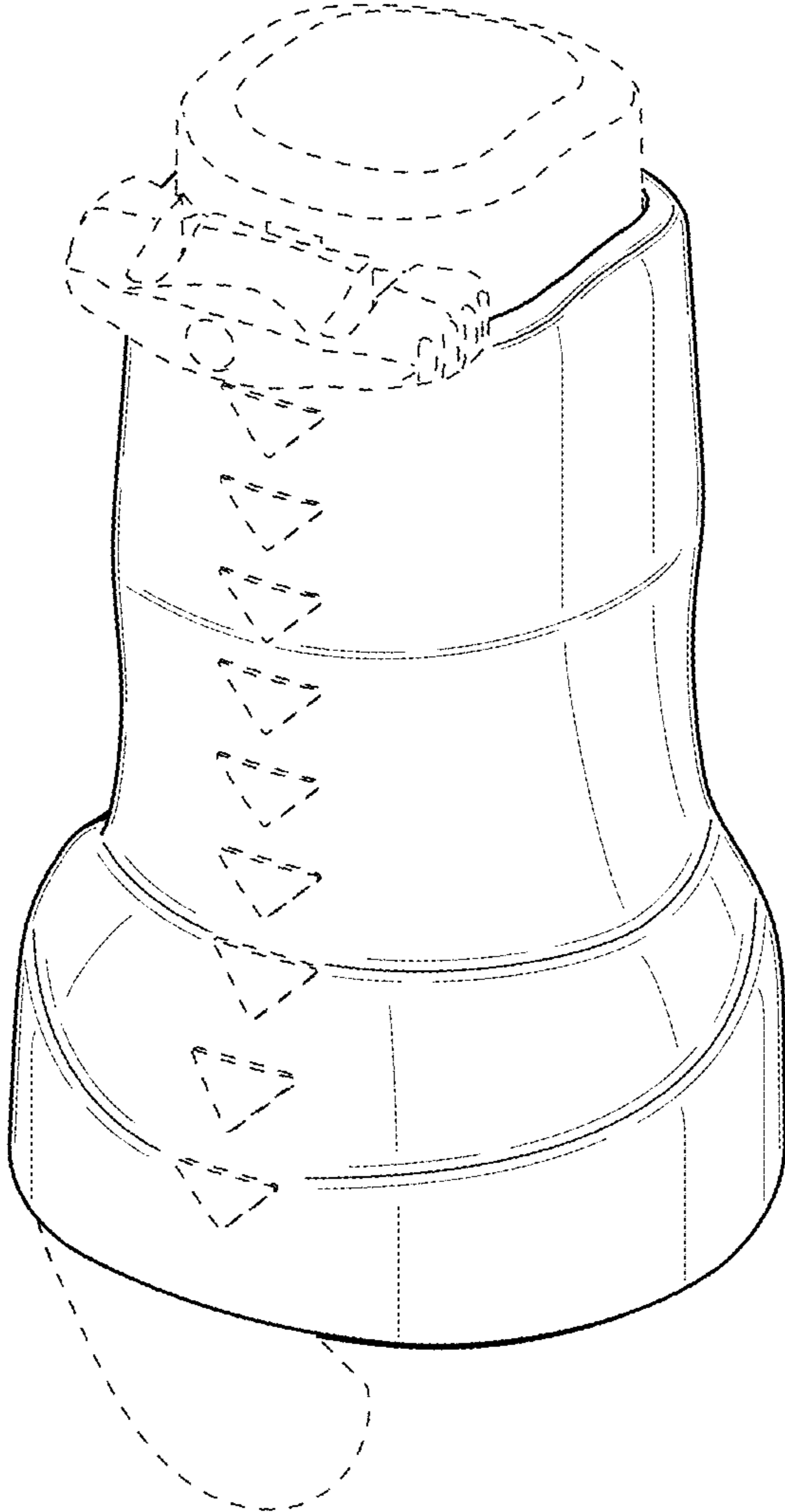
(56) **References Cited**

U.S. PATENT DOCUMENTS

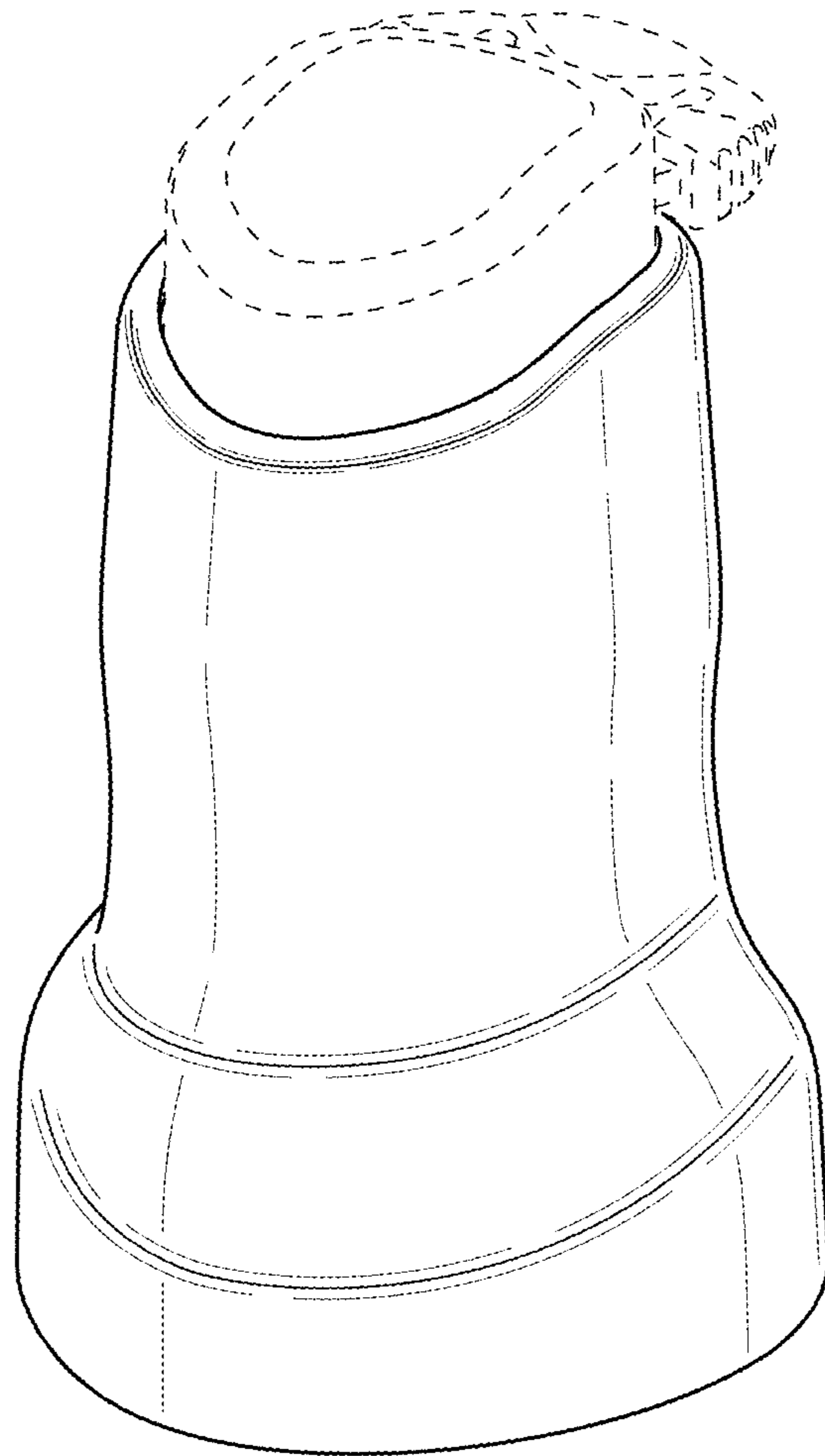
D409,305 S \* 5/1999 Martin ..... D24/108  
D722,156 S \* 2/2015 Wiegel ..... D24/112  
D737,951 S \* 9/2015 Lindsay ..... D24/108  
D748,244 S \* 1/2016 Petersen ..... D24/113  
D787,664 S \* 5/2017 Grunhut ..... D24/127

**1 Claim, 5 Drawing Sheets**

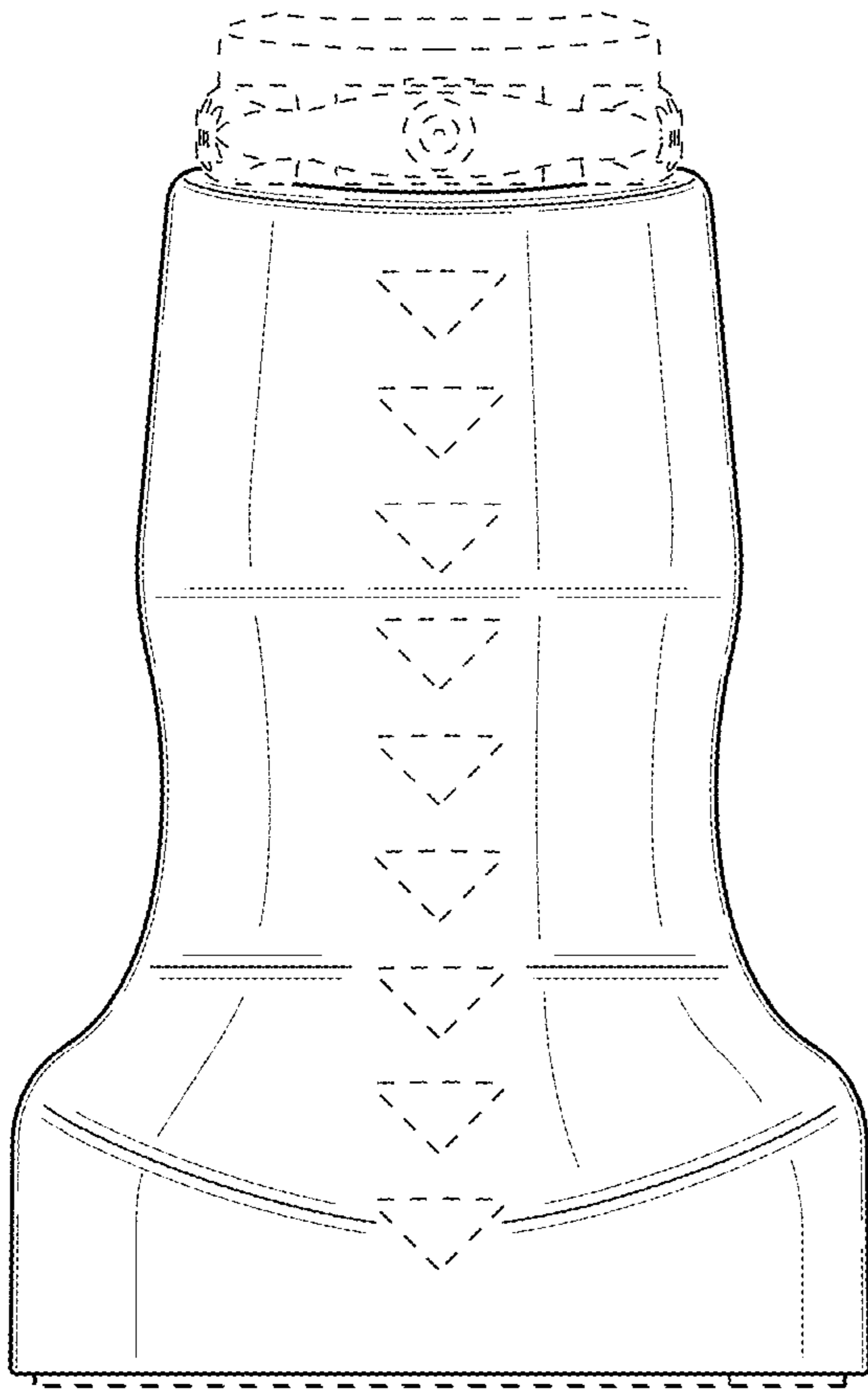




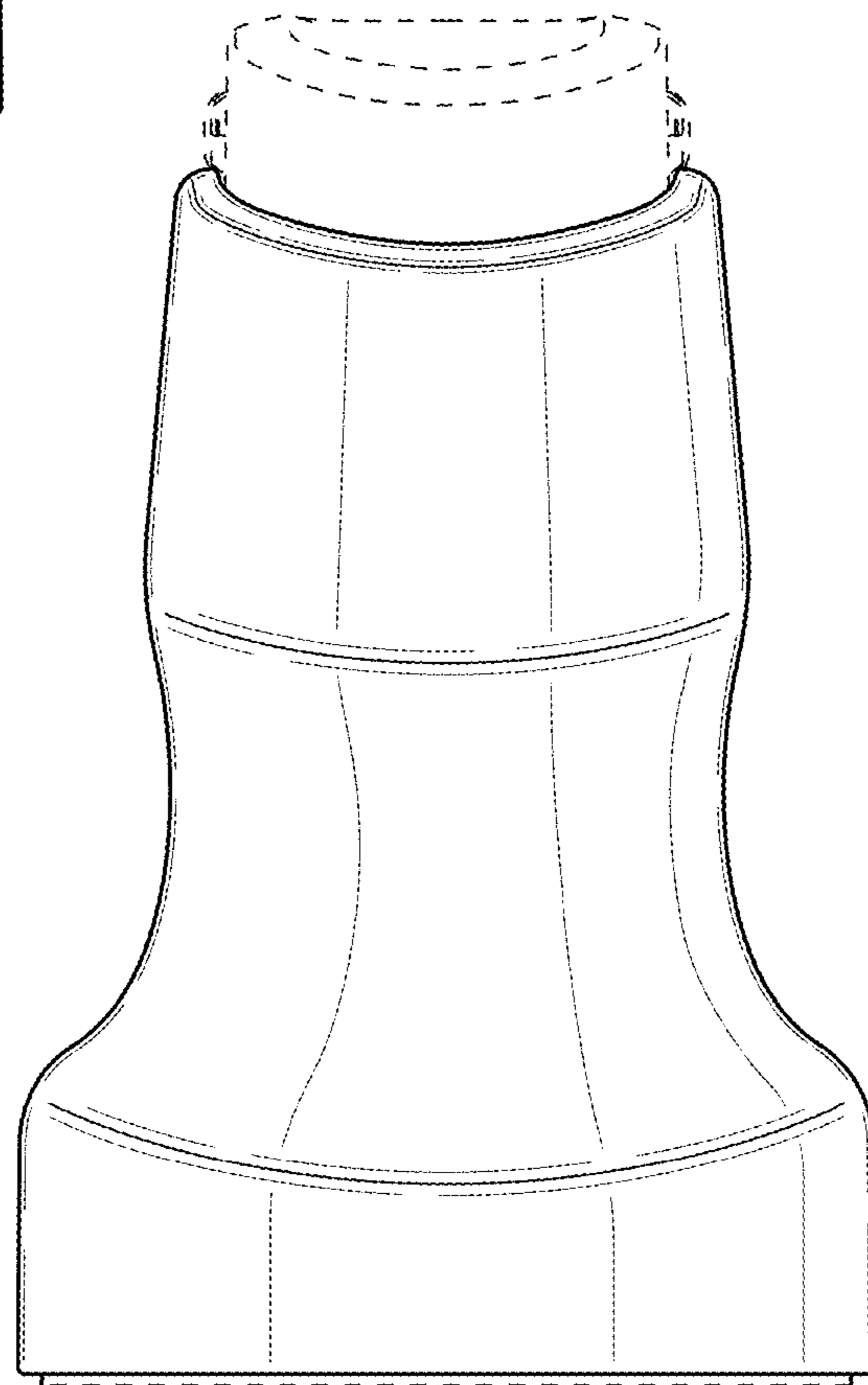
**Fig. 1**



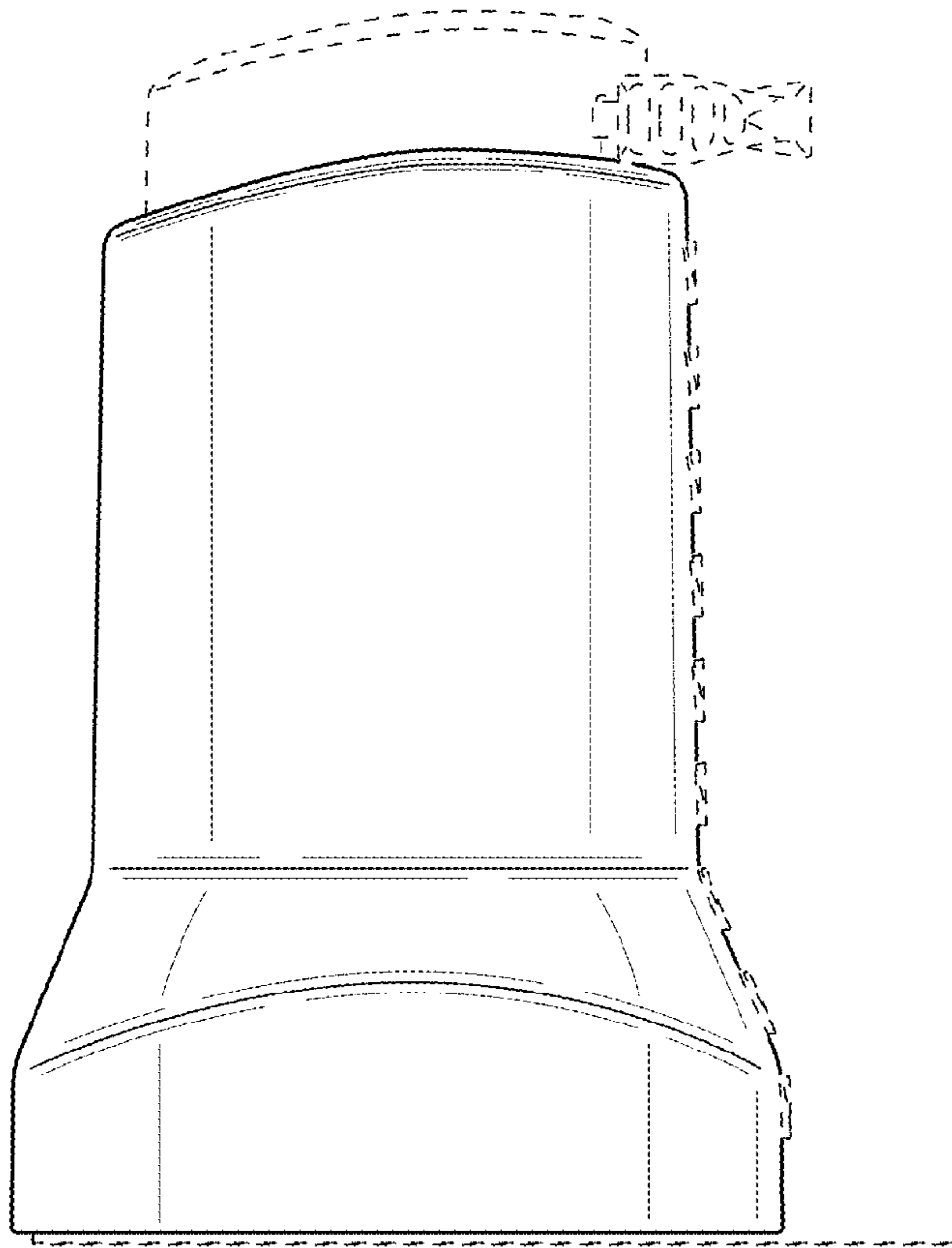
**Fig. 2**



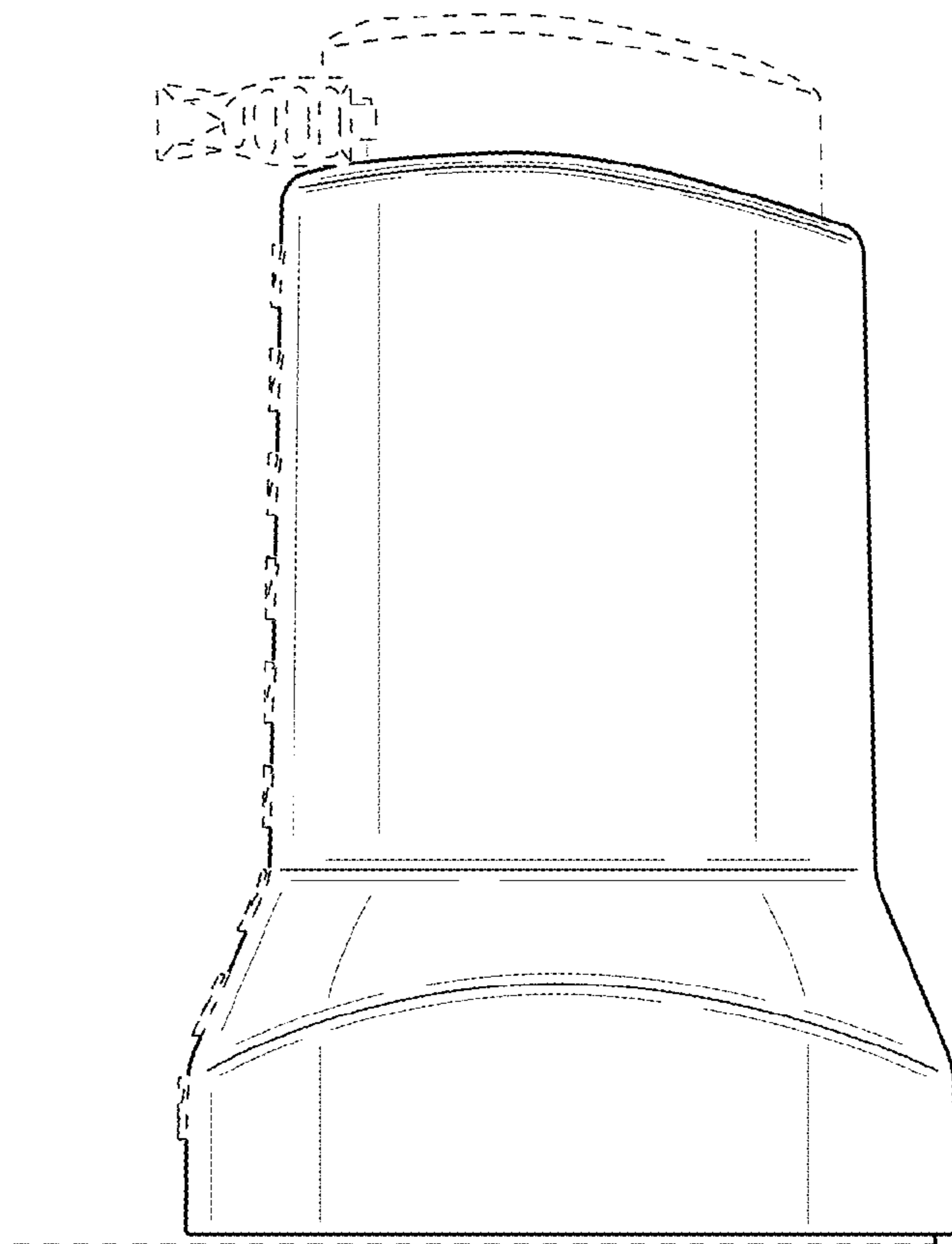
**Fig. 3**



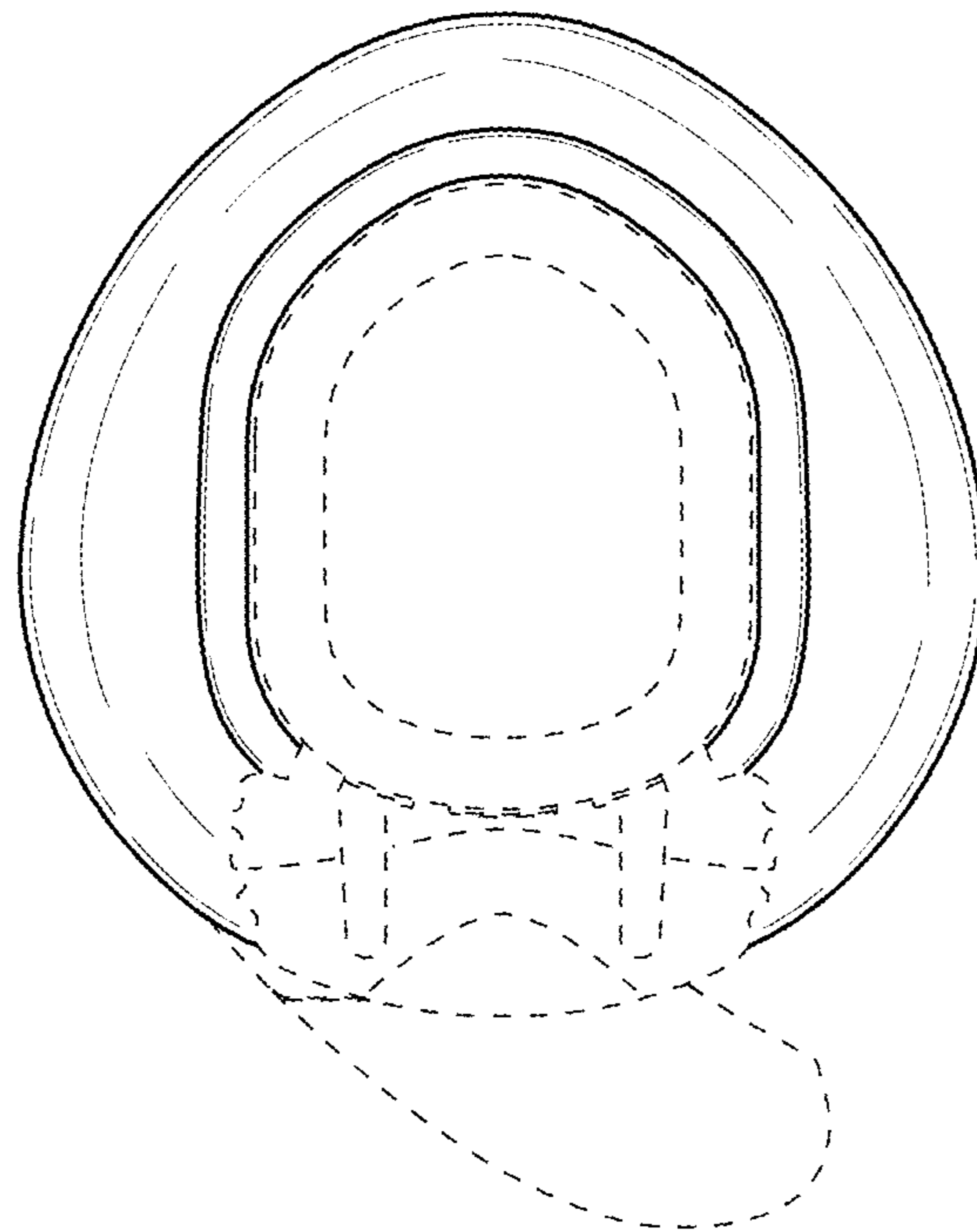
**Fig. 4**



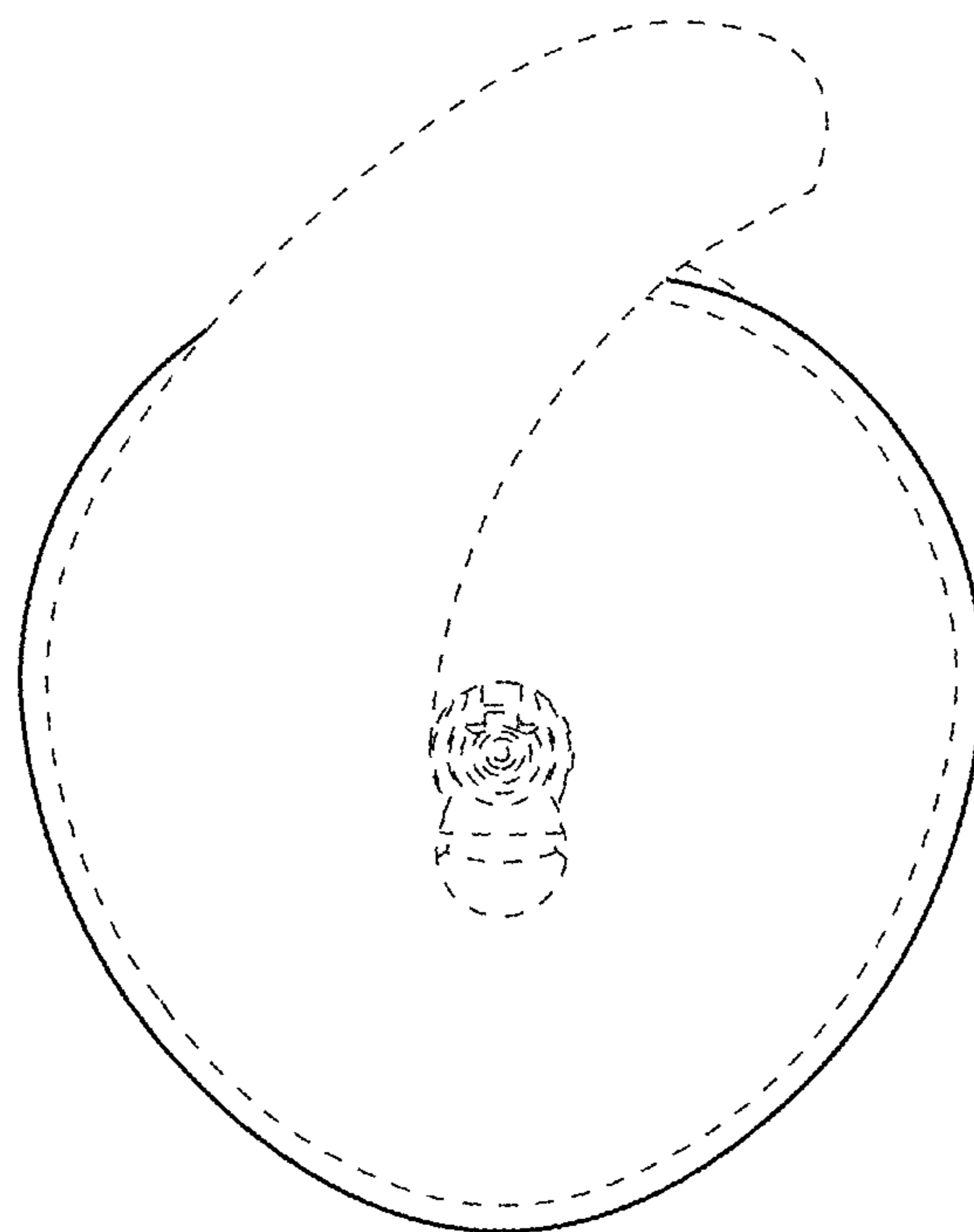
**Fig. 5**



**Fig. 6**



**Fig. 7**



**Fig. 8**