



US00D883473S

(12) **United States Design Patent**
Huffer et al.

(10) **Patent No.:** **US D883,473 S**
(45) **Date of Patent:** **** May 5, 2020**

(54) **BALLOON CATHETER SALES MODEL**
(71) Applicant: **C.R. Bard, Inc.**, Tempe, AZ (US)
(72) Inventors: **Katherine Huffer**, Chandler, AZ (US);
Brandon David Simmons, Tempe, AZ (US); **Mark Nicholas Wright**, Gilbert, AZ (US); **Brittany Millet**, Phoenix, AZ (US)
(73) Assignee: **C.R. BARD, INC.**, Tempe, AZ (US)

(**) Term: **15 Years**

(21) Appl. No.: **29/623,497**

(22) Filed: **Oct. 25, 2017**

(51) **LOC (12) Cl.** **24-02**

(52) **U.S. Cl.**
USPC **D24/112**

(58) **Field of Classification Search**
USPC D24/112–114, 108, 130, 127, 133, 186;
606/181, 185; 604/264, 523–528, 272,
604/164.01–164.11, 187, 93.01; 600/101,
600/139, 143; 128/200.24, 207.14,
128/207.15

CPC A61M 25/00; A61M 39/00; A61M 27/00;
A61M 25/0043; A61M 25/0067; A61M
25/0097; A61F 2/958

See application file for complete search history.

(56) **References Cited**

U.S. PATENT DOCUMENTS

6,319,233 B1 * 11/2001 Jansen A61M 5/326
604/187
6,602,268 B2 * 8/2003 Kuhr A61B 5/15186
606/181

6,605,098 B2 * 8/2003 Nobis A61B 17/11
606/153
6,869,417 B1 * 3/2005 Walters A61M 25/00
604/164.1
7,144,405 B2 * 12/2006 Vargas A61B 17/11
606/185
7,320,694 B2 * 1/2008 O’Heeron A61B 17/3417
606/167
D661,389 S * 6/2012 Morgan D24/114
D689,601 S * 9/2013 Black D24/108
D690,417 S * 9/2013 Solomon D24/114
8,657,793 B2 * 2/2014 Pellegrini A61M 5/315
604/187
D747,797 S * 1/2016 Fourt D24/114
D821,572 S * 6/2018 Clawson D24/113
D823,459 S * 7/2018 Bendek D24/113

* cited by examiner

Primary Examiner — David G Muller

(74) *Attorney, Agent, or Firm* — King & Schickli, PLLC

(57) **CLAIM**

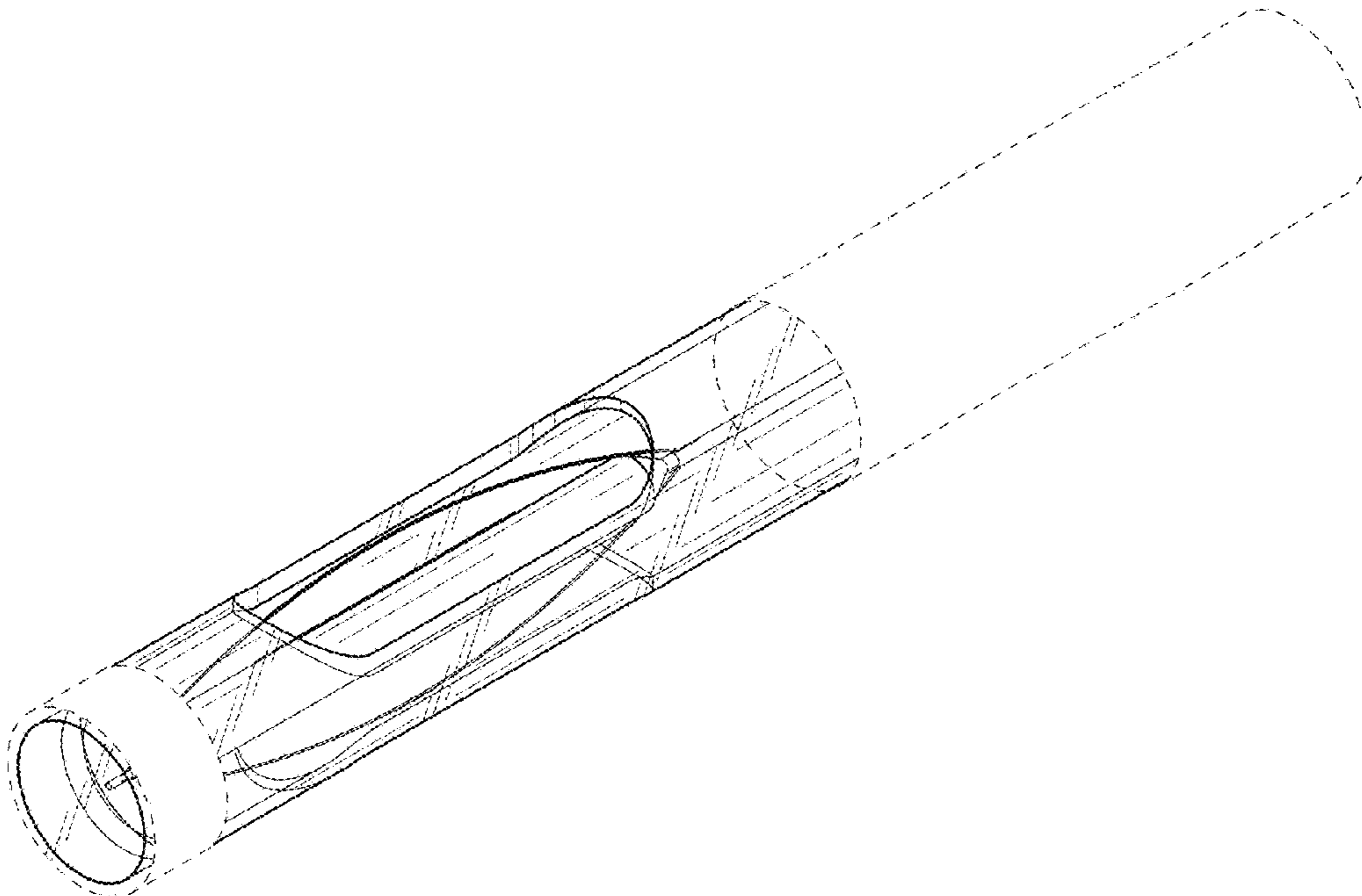
The ornamental design for a balloon catheter sales model, as shown and described.

DESCRIPTION

FIG. 1 is a top perspective view of our design;
FIG. 2 is a front view of our design;
FIG. 3 is a rear view of our design;
FIG. 4 is a right side of our design;
FIG. 5 is a left side view of our design;
FIG. 6 is a top view of our design; and,
FIG. 7 is a bottom view of our design.

The broken line showing of parts of the drawings is included for the purpose of illustrating use and environment and forms no part of the claimed design.

1 Claim, 3 Drawing Sheets



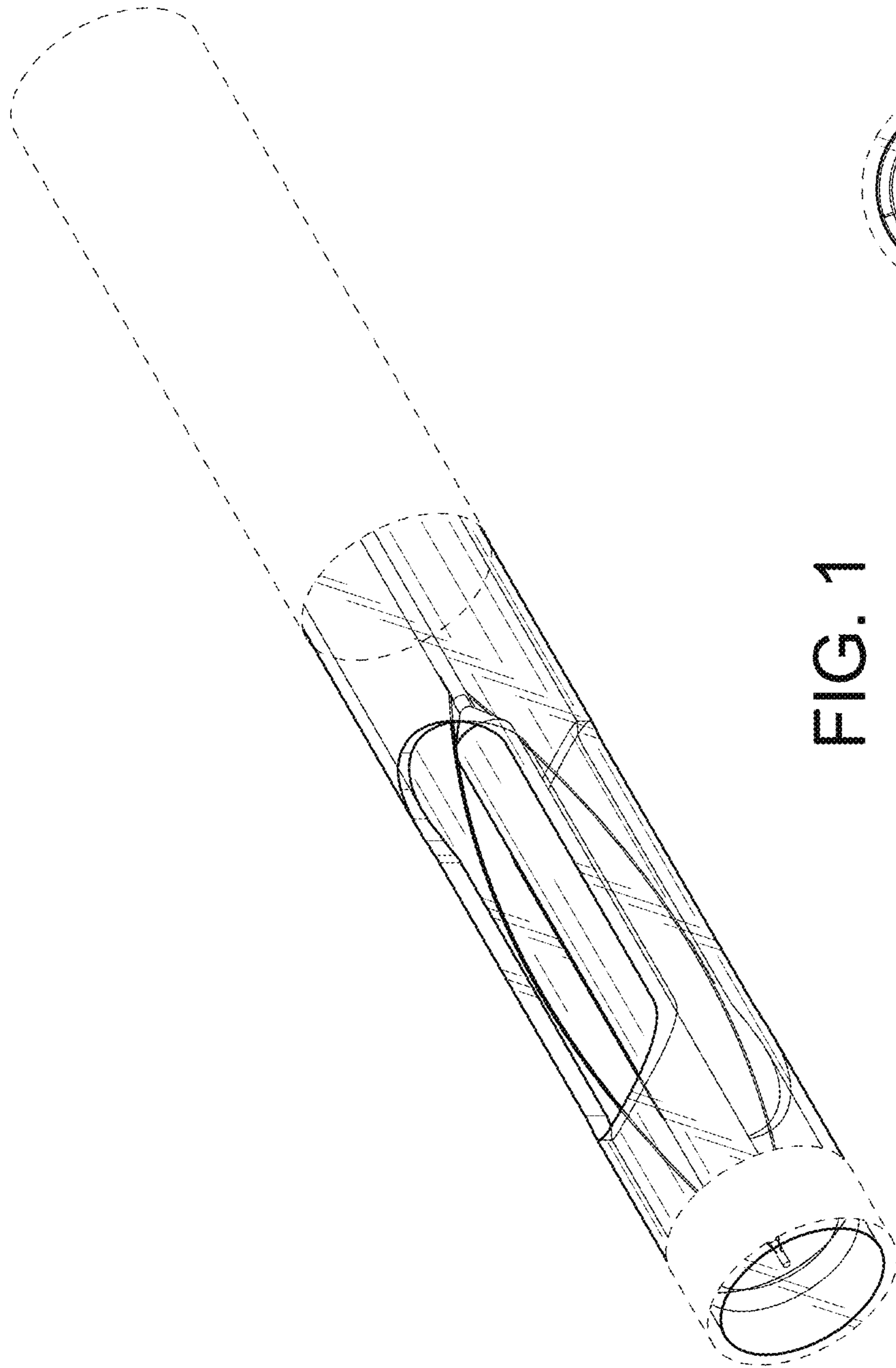


FIG. 1

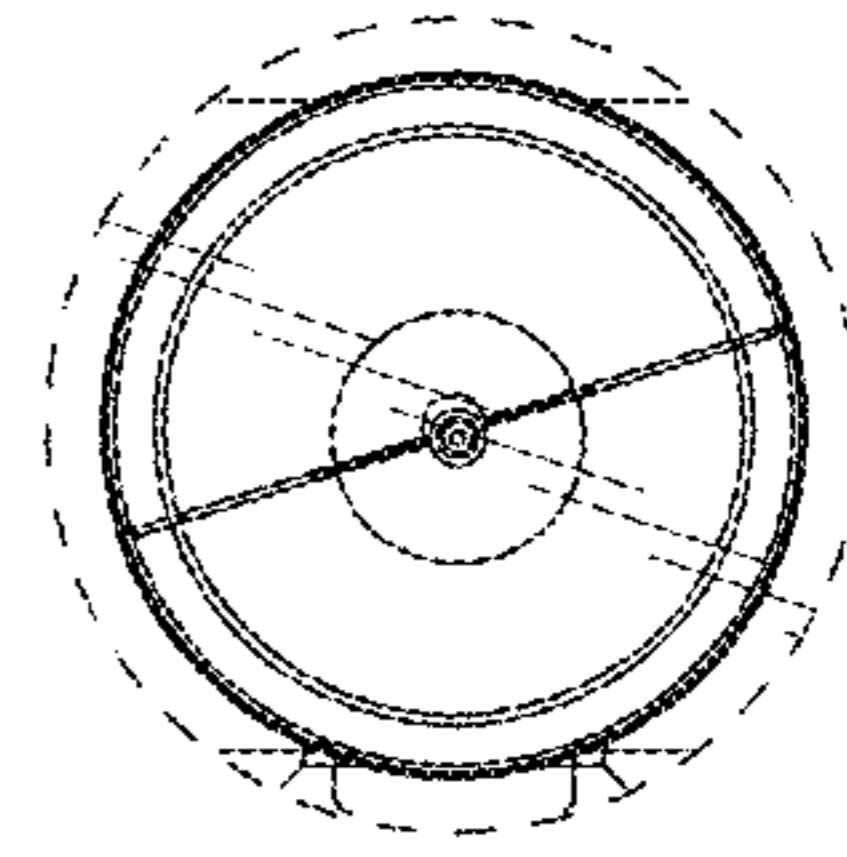


FIG. 2

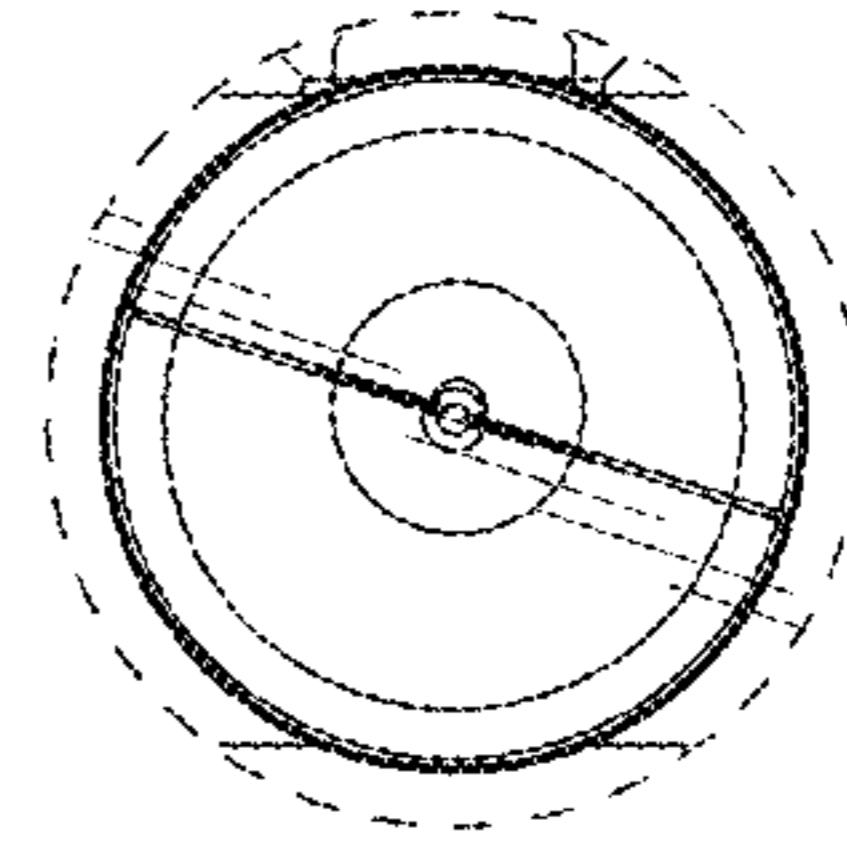


FIG. 3

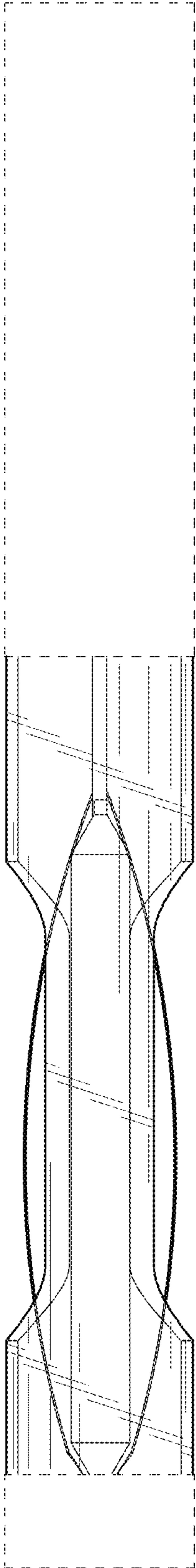


FIG. 4

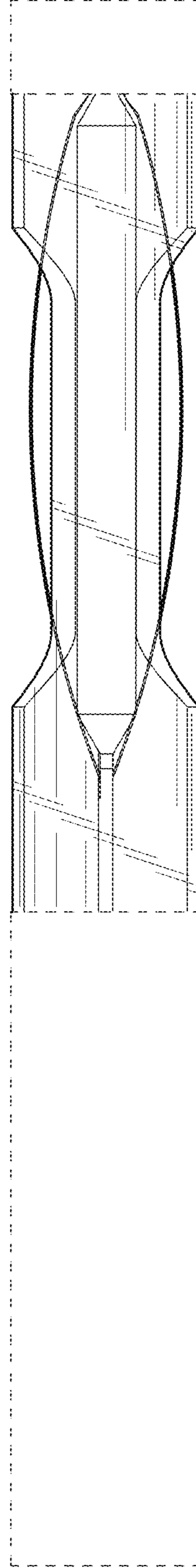


FIG. 5

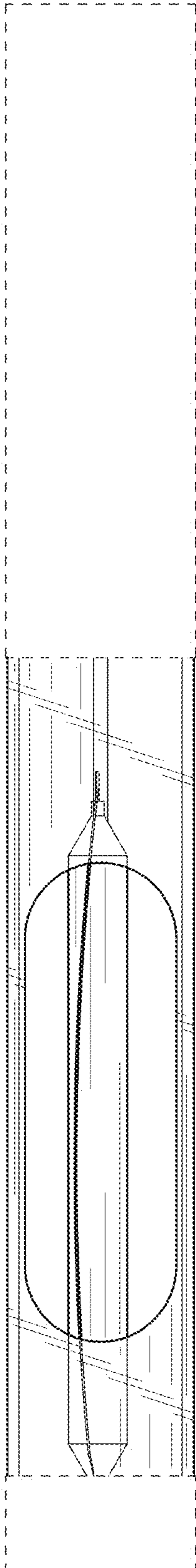


FIG. 6

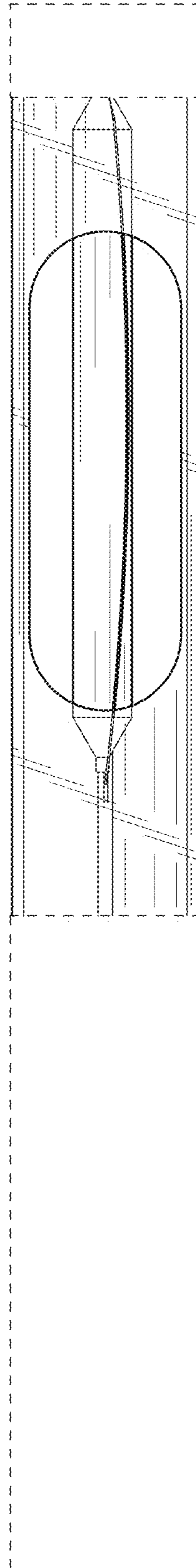


FIG. 7