



US00D883472S

(12) **United States Design Patent** (10) **Patent No.:** **US D883,472 S**
Hogerwerf et al. (45) **Date of Patent:** **** May 5, 2020**

(54) **CONTROL PANEL WITH DISPLAY FOR FEEDING DEVICES**

(71) Applicant: **N.V. Nutricia**, Zoetermeer (NL)
(72) Inventors: **Mark Hogerwerf**, Utrecht (NL);
Sencha Van Kinderen, Utrecht (NL);
Arie Abraham Zuijderduin, Utrecht (NL); **William Bartrip**, Schiphol Airport (NL); **Christiaan Gerardus Johannes Weel**, The Hague (NL); **Fedor Christiaan Kadiks**, Haarlem (NL)

(73) Assignee: **N.V. Nutricia** (NL)

(**) Term: **15 Years**

(21) Appl. No.: **29/636,454**

(22) Filed: **Feb. 8, 2018**

(30) **Foreign Application Priority Data**

Dec. 6, 2017 (EM) 004537694-0001

(51) **LOC (12) Cl.** **24-02**

(52) **U.S. Cl.**
USPC **D24/111**

(58) **Field of Classification Search**

USPC D14/388-401, 455, 320, 331, 333, 338,
D14/339, 341, 346, 348, 363, 356, 347,
D14/379, 380, 384, 218, 250; D13/162,
D13/164, 168, 184, 123; D21/324, 333,
D21/566; D10/46, 46.2, 49, 75, 78, 96,
D10/97, 106.95; D24/107, 108, 109, 111,
D24/185, 186, 188, 193-196; D15/7;
D23/200
CPC A61M 1/00; A61M 1/06; A61M 1/062;
A61M 1/064; A61M 1/066; A61M
1/0037; A61M 5/16804; A61M 5/16831;
A61M 5/142; A61M 5/14244; A61M
5/14228; A61M 5/1723; G06F 19/3468;
F04B 49/00; F04B 49/06; F04B 49/08

See application file for complete search history.

(56) **References Cited**

U.S. PATENT DOCUMENTS

D194,190 S * 12/1962 Dean et al. D10/46
D263,997 S * 4/1982 Preussner D15/7
D329,226 S * 9/1992 Holbrook D13/162
D343,165 S * 1/1994 Byar D13/164
D347,472 S * 5/1994 Sunderland D24/111

(Continued)

OTHER PUBLICATIONS

Instructions for Use-Nutricia Flocare® Infinity™ III . [online PDF]
27 pgs. Aug. 23, 2017. [Retrieved on Sep. 4, 2019] https://www.nutriciaflocare.com/Flocare2019/pdf_docs/Instructions%20For%20Use%20-%20Infinity%20III%20-%20Rev%200-18%20-%20translation%20version.pdf.*

(Continued)

Primary Examiner — Marie D. Fast Horse

(74) *Attorney, Agent, or Firm* — Laubscher & Laubscher, P.C.

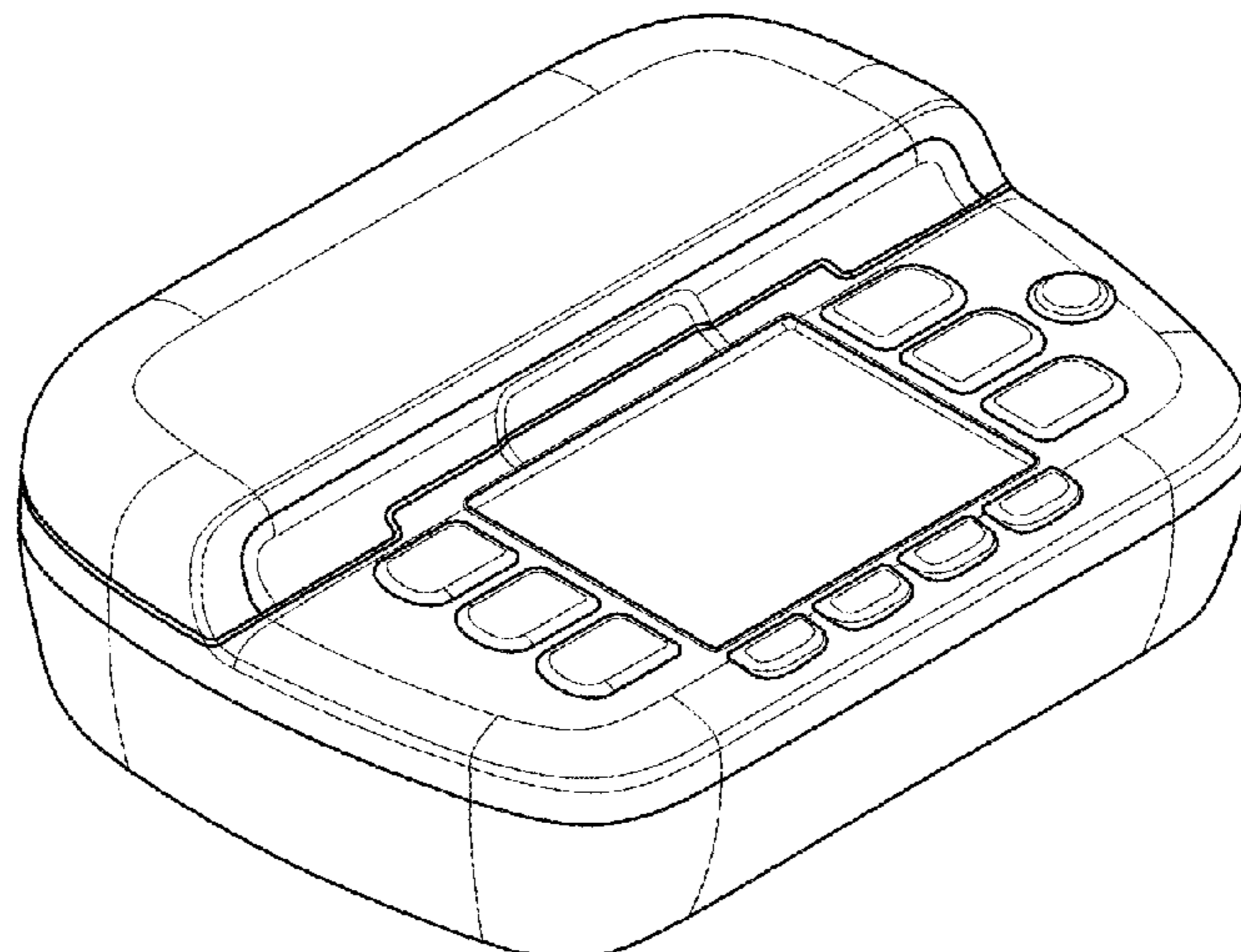
(57) **CLAIM**

The ornamental design for a control panel with display for feeding devices, as shown and described.

DESCRIPTION

FIG. 1 is a front perspective view of a control panel with display for feeding devices according to our invention;
FIG. 2 is a front elevation view thereof;
FIG. 3 is a rear elevation view thereof;
FIG. 4 is a right side elevation view thereof;
FIG. 5 is a left side elevation view thereof;
FIG. 6 is a top plan view thereof; and,
FIG. 7 is a bottom plan view thereof.
The broken lines in FIG. 4 depict parts of the control panel with display for feeding devices that form no part of the claim.

1 Claim, 3 Drawing Sheets



(56)

References Cited

U.S. PATENT DOCUMENTS

D348,730 S * 7/1994 Walker D24/108
 D360,259 S * 7/1995 Ijiri D24/111
 D367,527 S * 2/1996 Marston D24/111
 D380,260 S * 6/1997 Hyman D24/111
 D390,654 S * 2/1998 Alsberg D24/111
 D395,285 S * 6/1998 Allon D14/388
 D408,911 S * 4/1999 Moubayed D24/111
 5,954,696 A * 9/1999 Ryan A61M 5/16831
 128/DIG. 12
 5,954,697 A * 9/1999 Srisathapat A61M 5/1456
 604/154
 6,203,528 B1 * 3/2001 Deckert A61M 5/142
 604/131
 D446,854 S * 8/2001 Cheney, II D13/108
 6,270,478 B1 * 8/2001 Mernøe A61M 5/14244
 604/122
 6,305,908 B1 * 10/2001 Hermann A61M 5/14244
 417/234
 6,491,659 B1 * 12/2002 Miyamoto A61M 5/1689
 604/30
 D470,137 S * 2/2003 Everett D14/342
 D475,454 S * 6/2003 Gillespie, Jr. D15/7
 D479,323 S * 9/2003 Gillespie, Jr. D24/111
 D489,722 S * 5/2004 Matuschek D14/388
 D517,930 S * 3/2006 Chism D10/40
 D523,011 S * 6/2006 Jones D14/388
 D574,953 S * 8/2008 Boaz D24/111
 D584,975 S * 1/2009 Haberstroh D10/81
 D586,463 S * 2/2009 Evans D24/111
 D601,182 S * 9/2009 Mita D14/392
 D601,257 S * 9/2009 Berlinger D24/169
 D635,497 S * 4/2011 Chambers D12/192
 D659,717 S * 5/2012 Mattson D15/7
 D668,979 S * 10/2012 Robb D10/96
 D669,096 S * 10/2012 Katsura D15/7
 D669,165 S * 10/2012 Estes D24/111
 D669,167 S * 10/2012 Estes D24/111
 D674,083 S * 1/2013 Boaz D24/111
 D674,302 S * 1/2013 Robb D10/96
 D675,122 S * 1/2013 Robb D10/96
 D677,784 S * 3/2013 Marguerie D24/111
 D689,523 S * 9/2013 Galbraith D15/7
 D691,136 S * 10/2013 Griffin D14/392
 D701,562 S * 3/2014 Inada D18/19
 D721,814 S * 1/2015 Creed D13/168
 D726,047 S * 4/2015 Laurino H04W 88/005
 D10/78
 9,004,886 B2 * 4/2015 Beck F04B 43/0081
 417/476
 D730,514 S * 5/2015 Boaz D24/111
 D735,319 S * 7/2015 Sabin D24/111
 D736,370 S * 8/2015 Sabin D24/111
 D737,956 S * 9/2015 Marshall D24/111
 D743,023 S * 11/2015 Marshall D24/111
 D745,167 S * 12/2015 Canas D10/78
 D752,736 S * 3/2016 Chandrasenan D24/111

D759,014 S * 6/2016 Chang D14/371
 D770,052 S * 10/2016 Abu-Tarif D24/186
 9,474,856 B2 * 10/2016 Blomquist A61M 5/14244
 D777,902 S * 1/2017 Souney D24/107
 D785,574 S * 5/2017 Wu D13/162
 D797,918 S * 9/2017 Genstler D24/107
 D804,017 S * 11/2017 Sabin D24/111
 9,821,151 B2 * 11/2017 Juretich A61M 5/142
 D806,881 S * 1/2018 Corrigan D24/186
 D815,730 S * 4/2018 Collins D24/111
 D817,479 S * 5/2018 Sabin D24/111
 D817,480 S * 5/2018 Sabin D24/111
 D823,456 S * 7/2018 Lacy D24/111
 10,080,836 B2 * 9/2018 Juretich A61M 5/14232
 D833,022 S * 11/2018 Corrigan D24/186
 D842,736 S * 3/2019 Laurino D10/96
 D866,749 S * 11/2019 Ash D24/111
 2009/0069749 A1 * 3/2009 Miller A61M 5/16831
 604/151
 2009/0227855 A1 * 9/2009 Hill A61M 5/1723
 600/365
 2009/0254025 A1 * 10/2009 Simmons A61M 5/16831
 604/67
 2010/0049164 A1 * 2/2010 Estes A61M 5/1723
 604/504
 2014/0107607 A1 * 4/2014 Estes A61M 5/1723
 604/500
 2014/0135731 A1 * 5/2014 Breitweiser A61M 5/16831
 604/500
 2014/0155867 A1 * 6/2014 Lee A61M 5/16886
 604/533
 2014/0163462 A1 * 6/2014 Qi A61M 5/16831
 604/67
 2015/0112298 A1 * 4/2015 Pirzada A61M 1/06
 604/500
 2016/0106630 A1 * 4/2016 Hudson A61M 5/16831
 700/282
 2016/0331891 A1 * 11/2016 Marshall A61M 5/14228
 2018/0185569 A1 * 7/2018 Slaby A61M 5/16831
 2019/0262550 A1 * 8/2019 Abal A61M 5/16831

OTHER PUBLICATIONS

Packshot_PumpInfinity_Closed—Nutricia flocare Infinity. [online] 1 pg. [Retrieved on Sep. 4, 2019] https://www.nutricia.com/content/dam/nutricia/amm/content/products/Packshot_PumpInfinity_Closed.png.
 QUG27-323-2CH-Pump-Priming-2016-v1 (Instructions for BodyGuard 323 Infusion Pumps). [online PDF] 2 pgs. May 2016. [Retrieved on Sep. 4, 2019] <https://www.cmemedical.co.uk/wp-content/uploads/QUG27-323-2CH-Pump-Priming-2016-v1.pdf>.
 Infusion Pumps and Feeding devices. (Design—© Questel) orbit.com. [online PDF] 20 pgs. Print Dates Range Sep. 2, 2003 through Mar. 5, 2019. [Retrieved on Sep. 4, 2019] <https://sobjprd.questel.fr/export/QPTUJ214/pdf2/4837d9db-a74c-42cb-b119-e4283e9b2f11-215644.pdf>.

* cited by examiner

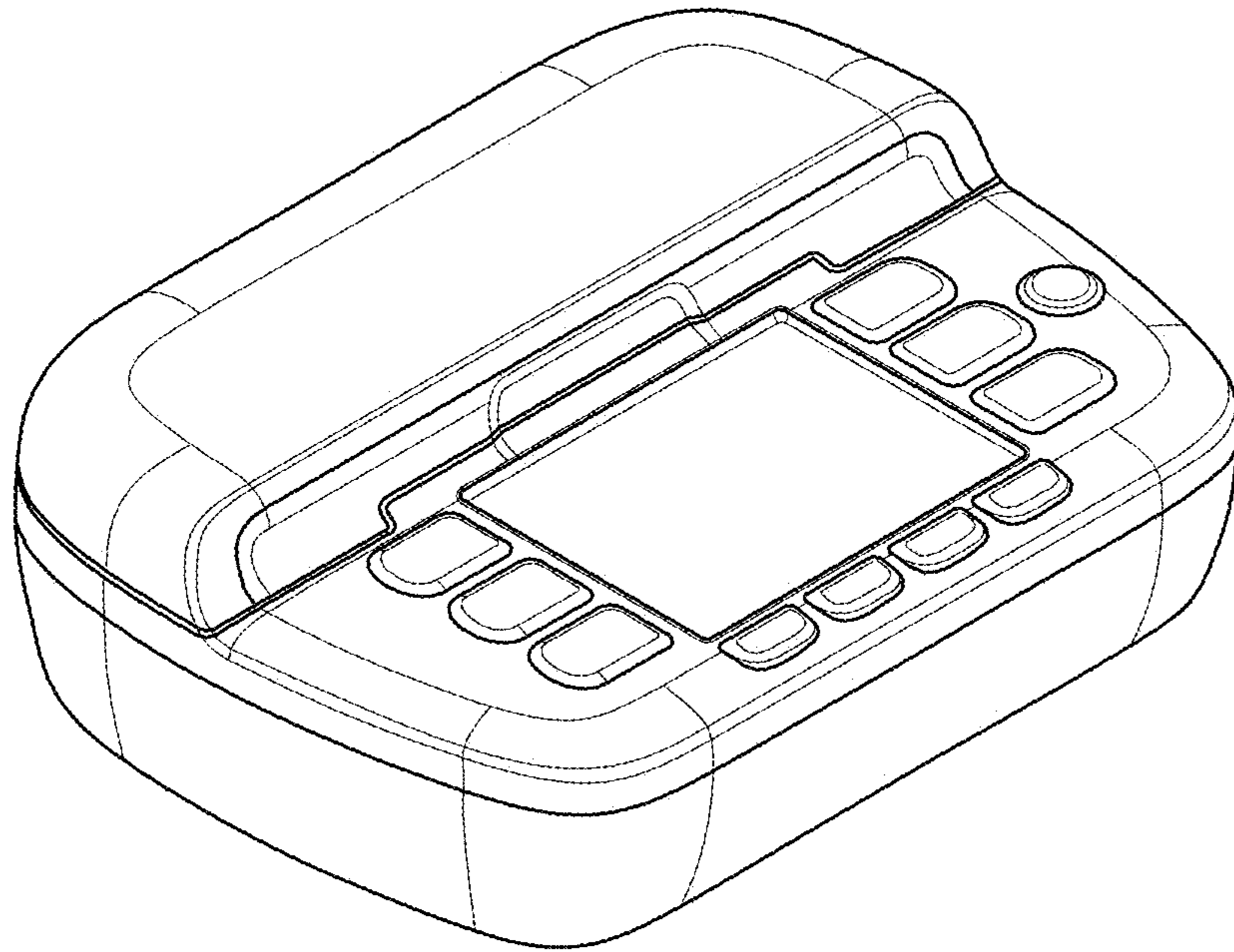


FIG. 1

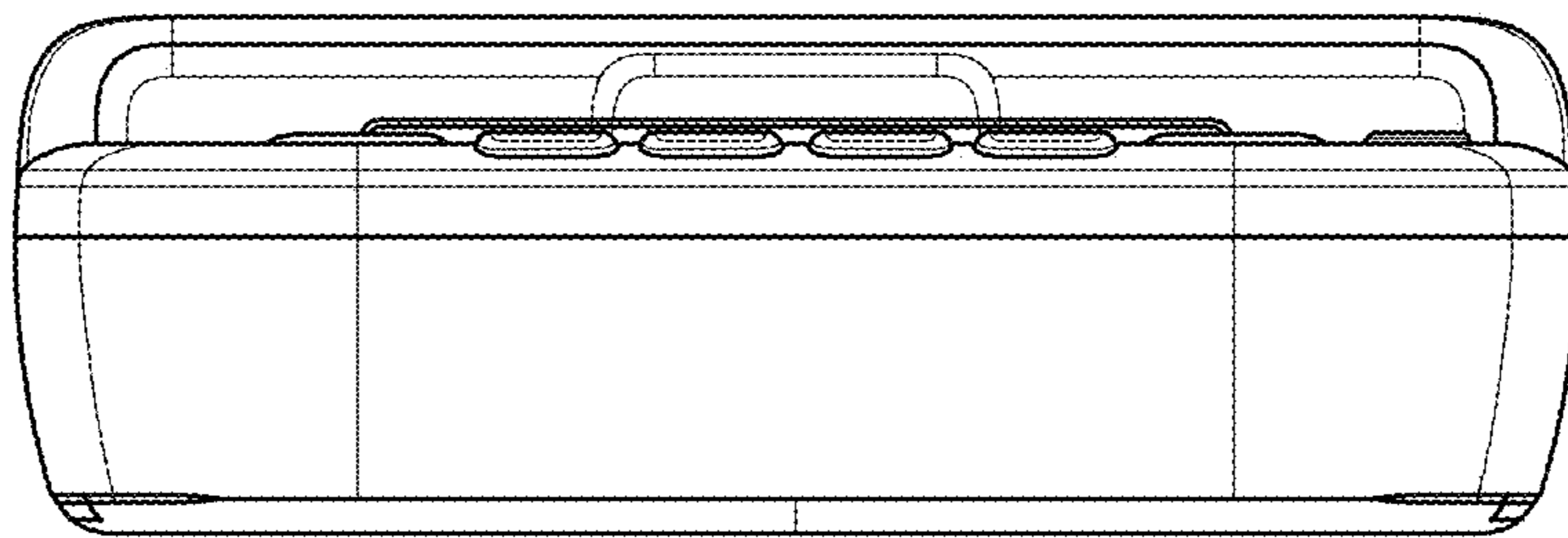


FIG. 2

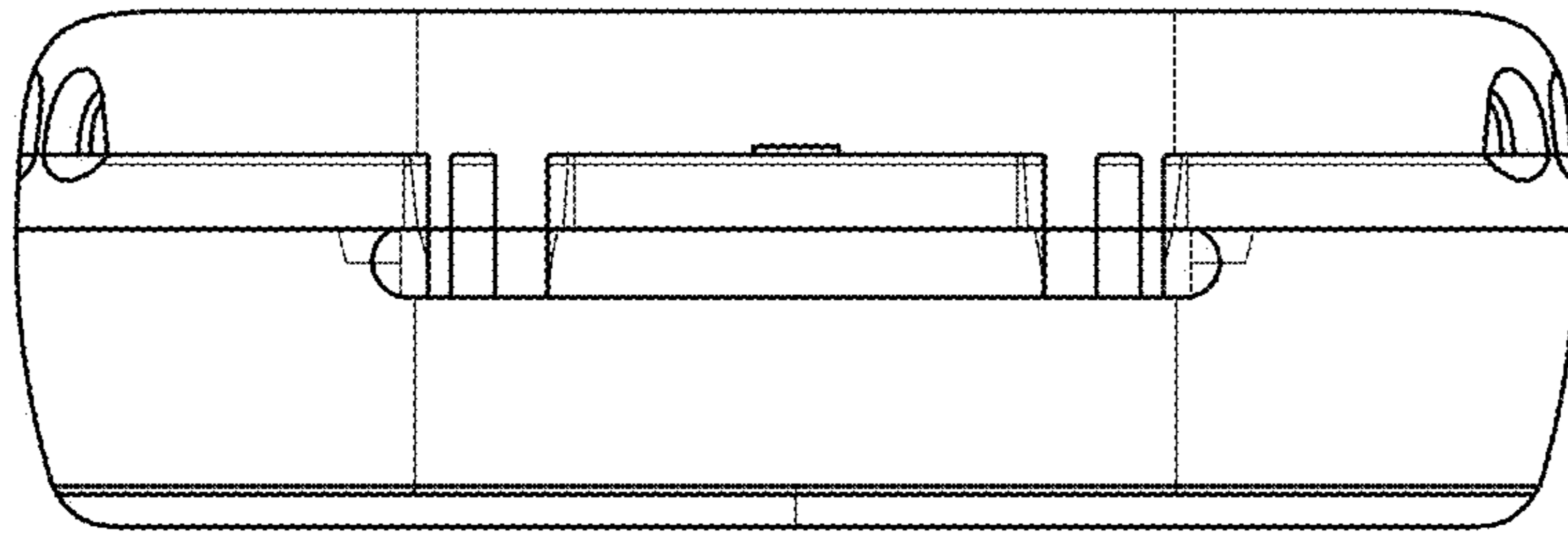


FIG. 3

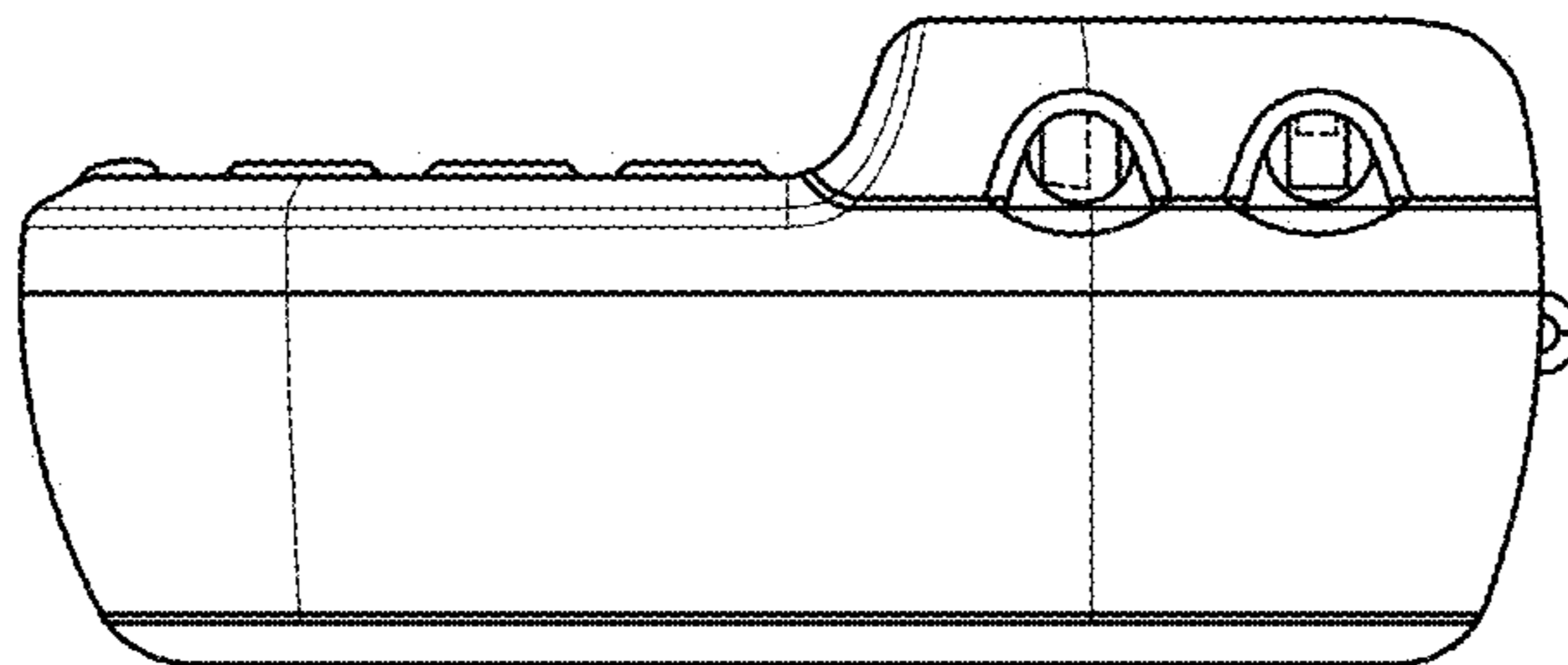


FIG. 4

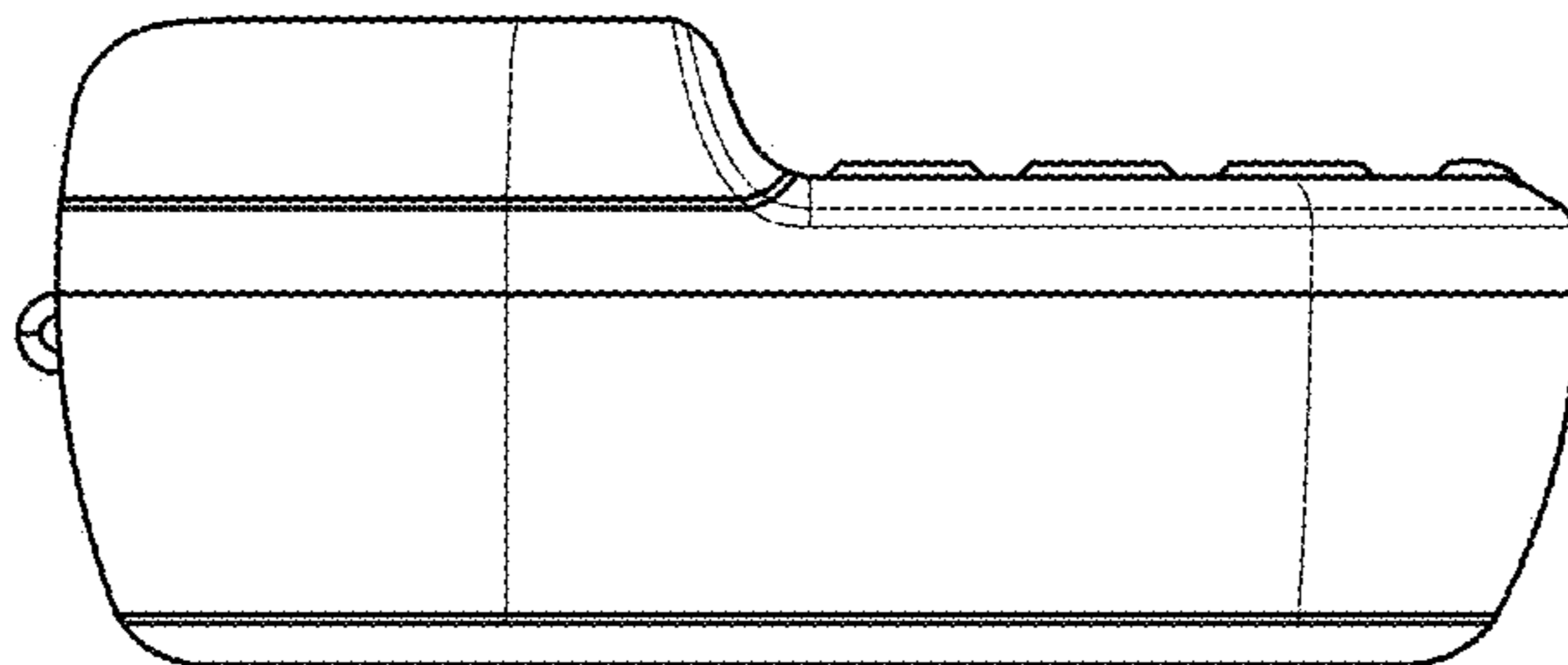


FIG. 5

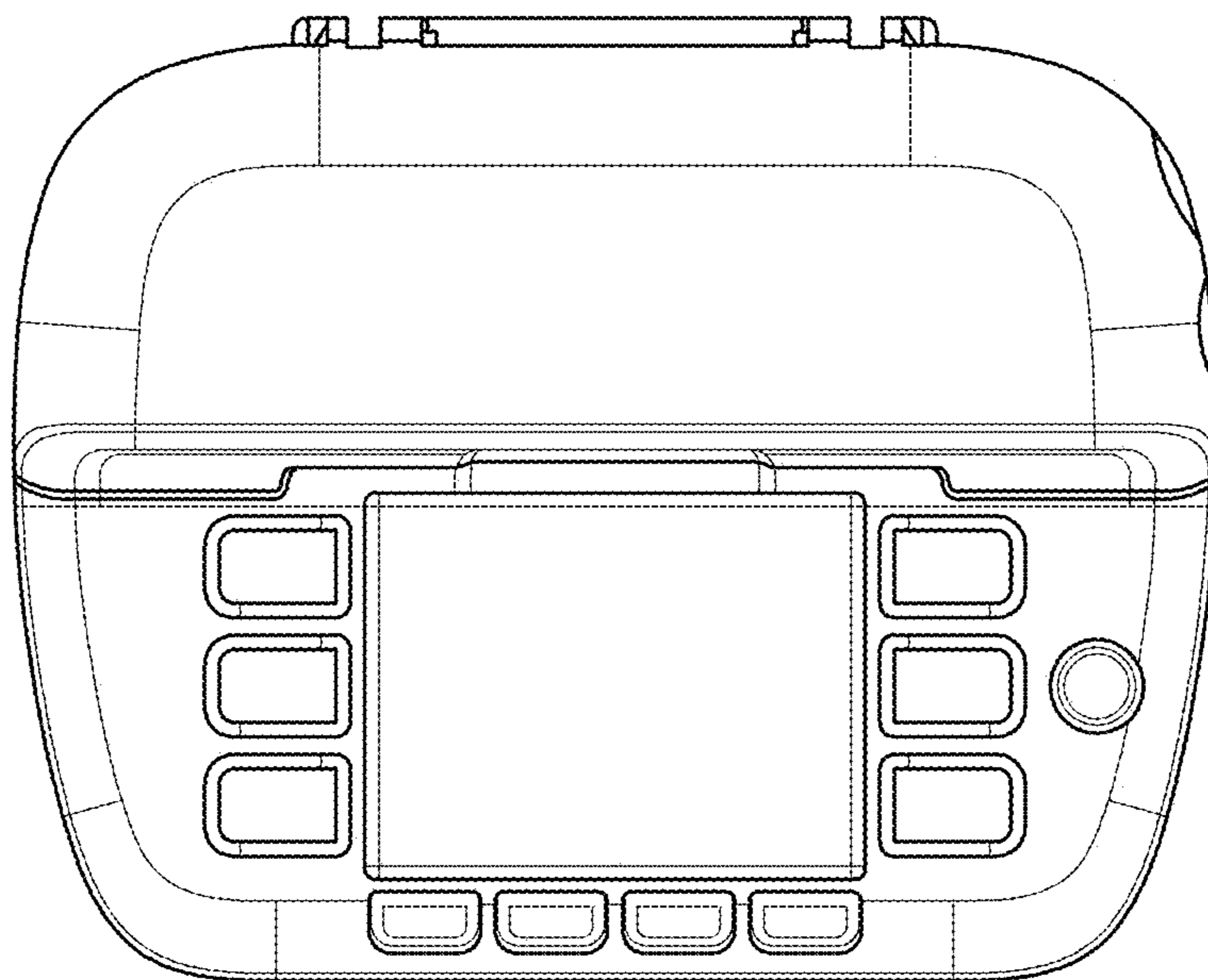


FIG. 6

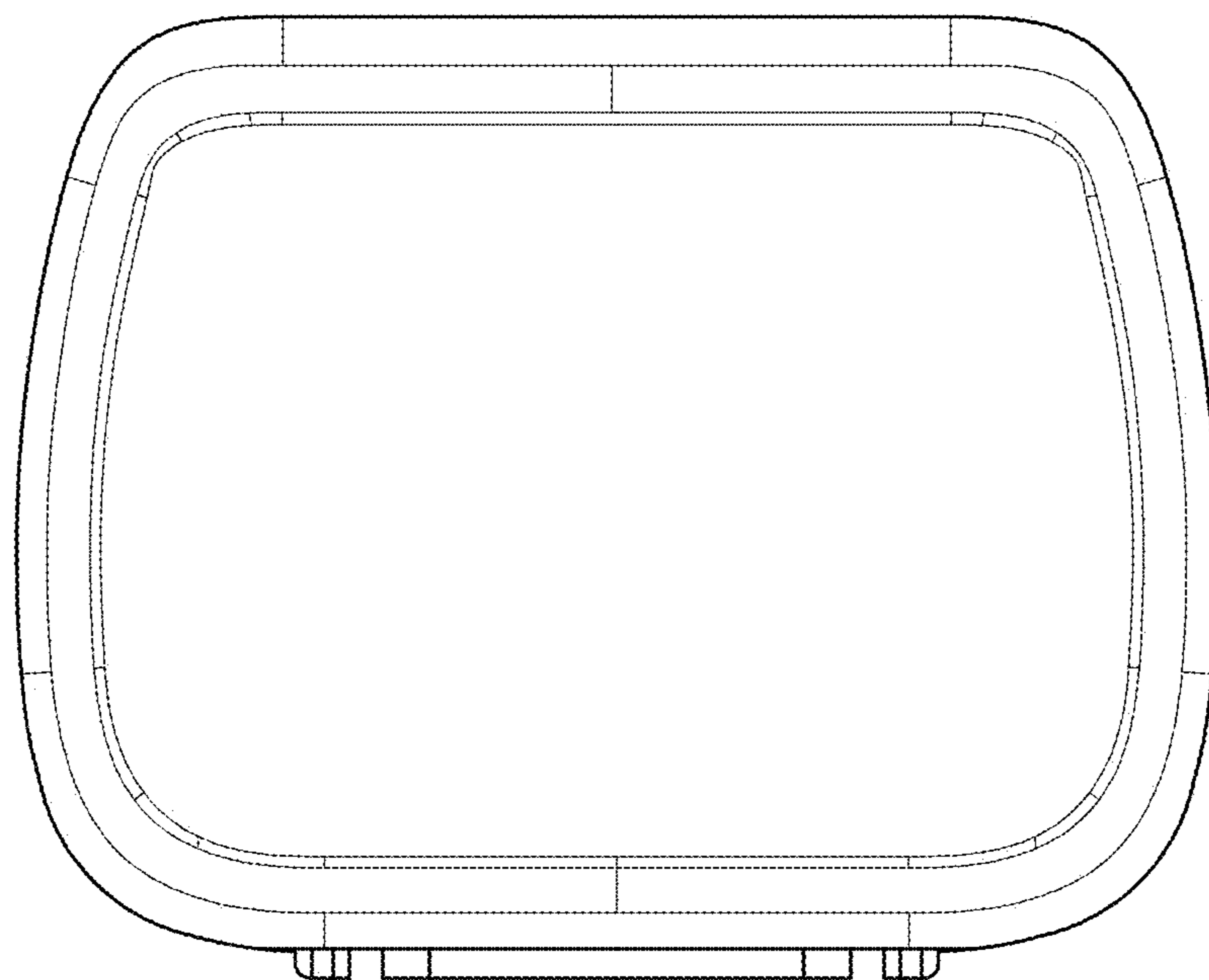


FIG. 7