



US00D883470S

(12) **United States Design Patent** (10) **Patent No.:** **US D883,470 S**
Wei (45) **Date of Patent:** **** May 5, 2020**

(54) **NASAL ASPIRATOR**

(71) Applicant: **Junjie Wei**, Gongyi (CN)

(72) Inventor: **Junjie Wei**, Gongyi (CN)

(**) Term: **15 Years**

(21) Appl. No.: **29/710,383**

(22) Filed: **Oct. 23, 2019**

(51) **LOC (12) Cl.** **24-01**

(52) **U.S. Cl.**
USPC **D24/108**

(58) **Field of Classification Search**

USPC D24/108, 111-115, 117, 121
CPC A61M 2210/0618; A61M 1/008; A61M
1/0003; A61M 16/0463; A61M 1/0066;
A61M 2205/8206

See application file for complete search history.

(56) **References Cited**

U.S. PATENT DOCUMENTS

5,167,235 A * 12/1992 Seacord G01J 5/02
374/131
D438,612 S * 3/2001 Suh D24/108
D451,597 S * 12/2001 Suh D24/108
D542,915 S * 5/2007 Bensoussan D24/115
D594,968 S * 6/2009 Sebban D24/108
D629,884 S * 12/2010 Stephens D24/108
D634,002 S 3/2011 Laerdal et al.
D670,373 S * 11/2012 Taylor D24/108
8,801,667 B2 * 8/2014 Taylor A61M 3/0216
604/151

(Continued)

FOREIGN PATENT DOCUMENTS

CN 304928470 * 12/2018
CN 305474372 * 12/2019
EM 007082128-0001 * 10/2019

OTHER PUBLICATIONS

Electric Baby Nasal Aspirator Ravifun. Amazon.com. Earliest review date: Aug. 6, 2018. Date viewed: Feb. 19, 2020. Retrieved from Internet: https://www.amazon.com/Aspirator-Electric-Hygienic-Newborns-Toddlers/dp/B07BPZMSRX/ref=sr_1_28?keywords=nasal+aspirator&qid=1582136992%E2%80%A6 (Year: 2018).*

(Continued)

Primary Examiner — Lilyana Bekic

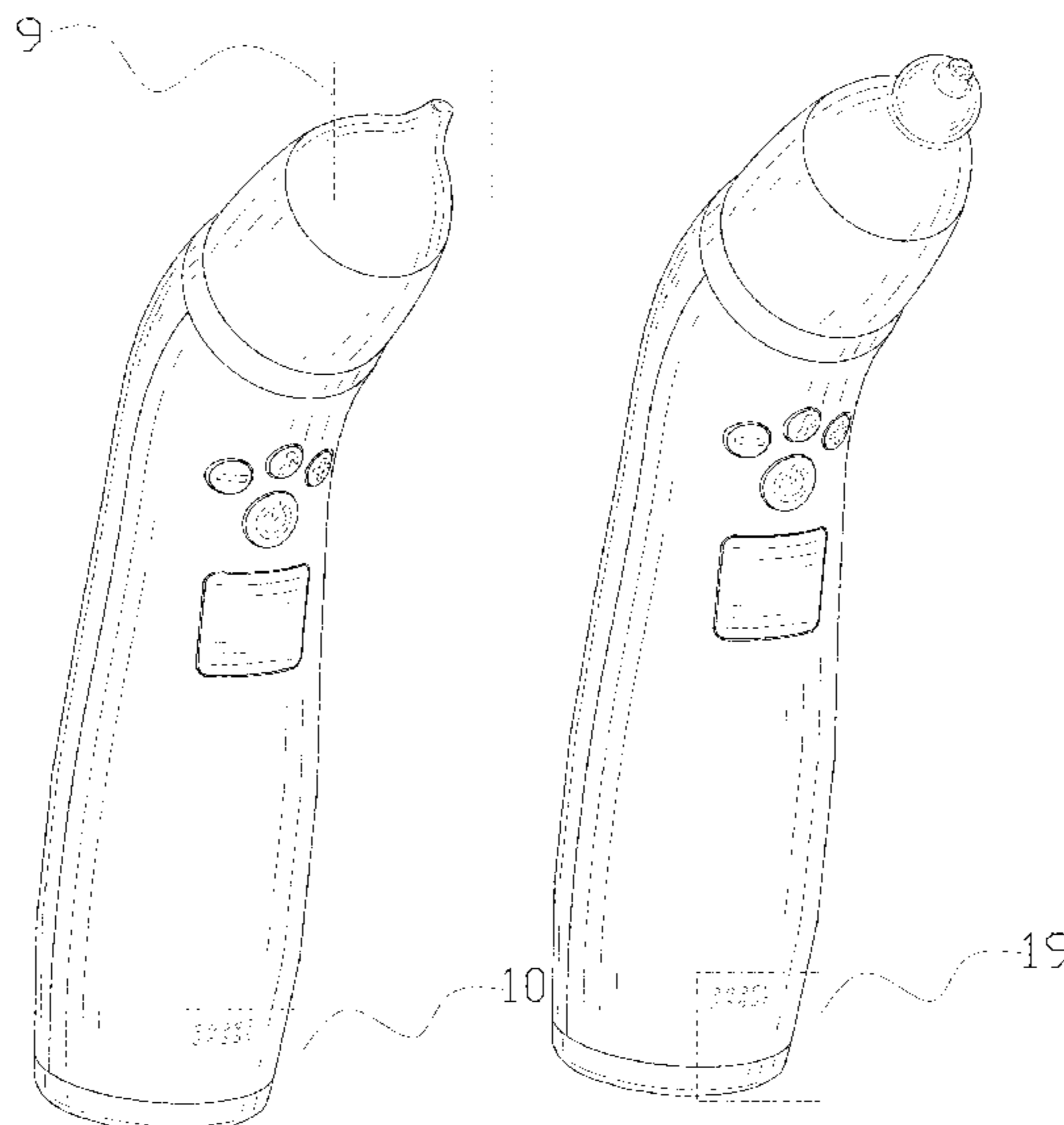
(57) **CLAIM**

The ornamental design for a nasal aspirator, as shown and described.

DESCRIPTION

FIG. 1 is a perspective view of a first embodiment of a nasal aspirator showing my new design;
FIG. 2 is another perspective view thereof;
FIG. 3 is a front elevational view thereof;
FIG. 4 is a rear elevational view thereof;
FIG. 5 is a left side elevational view thereof;
FIG. 6 is a right side elevational view thereof;
FIG. 7 is a top plan view thereof;
FIG. 8 is a bottom plan view thereof;
FIG. 9 is an enlarge view of portion 9 shown in FIG. 1;
FIG. 10 is an enlarge view of portion 10 shown in FIG. 1;
FIG. 11 is a perspective view of a second embodiment of the nasal aspirator showing my new design;
FIG. 12 is another perspective view thereof;
FIG. 13 is a front elevational view thereof;
FIG. 14 is a rear elevational view thereof;
FIG. 15 is a left side elevational view thereof;
FIG. 16 is a right side elevational view thereof;
FIG. 17 is a top plan view thereof;
FIG. 18 is a bottom plan view thereof; and,
FIG. 19 is an enlarge view of portion 19 shown in FIG. 11.
The broken lines in the drawings depict portions of the nasal aspirator that form no part of the claimed design.

1 Claim, 19 Drawing Sheets



(56)

References Cited

U.S. PATENT DOCUMENTS

D739,930	S	9/2015	Takenouchi et al.	
D763,434	S *	8/2016	Flickinger	D24/108
D849,229	S *	5/2019	Jiang	D24/108
2002/0198488	A1 *	12/2002	Yao	A61M 1/0049 604/35
2005/0049620	A1 *	3/2005	Chang	A61M 1/0058 606/162
2005/0159684	A1 *	7/2005	Ikadai	A61M 1/0058 601/6
2008/0154183	A1 *	6/2008	Baker	A61M 1/0058 604/28
2008/0208112	A1 *	8/2008	Bensoussan	A61M 1/0003 604/35
2008/0312674	A1 *	12/2008	Chen	A61M 1/0058 606/162
2009/0048581	A1 *	2/2009	Sebban	A61M 1/0003 604/540
2011/0282268	A1 *	11/2011	Baker	A61M 3/0275 604/20
2017/0189590	A1 *	7/2017	Ou Yang	A61M 1/0066

OTHER PUBLICATIONS

Electric Baby Nasal Aspirator Blue. Amazon.com. Date viewed: Feb. 19, 2020. Retrieved from Internet: https://www.amazon.com/Electric-Aspirator-Vacuum-Sucker-Cleaner/dp/B0845N7JM1/ref=sr_1_54?keywords=nasal+aspirator&qid=1582137142&sr=%E2%80%A6 (Year: 2020).*

CLEARinse Electric Nasal Cleaning Aspirator. Amazon.com. Earliest review date: Oct. 6, 2013. Date viewed: Feb. 19, 2020. Retrieved from Internet: https://www.amazon.com/CLEARinse-Electric-Cleaning-Aspirator-Starter/dp/B015MNTAX2/ref=sr_1_125?keywords=nasal+aspirator&qid=15821373%E2%80%A6 (Year: 2013).*

* cited by examiner

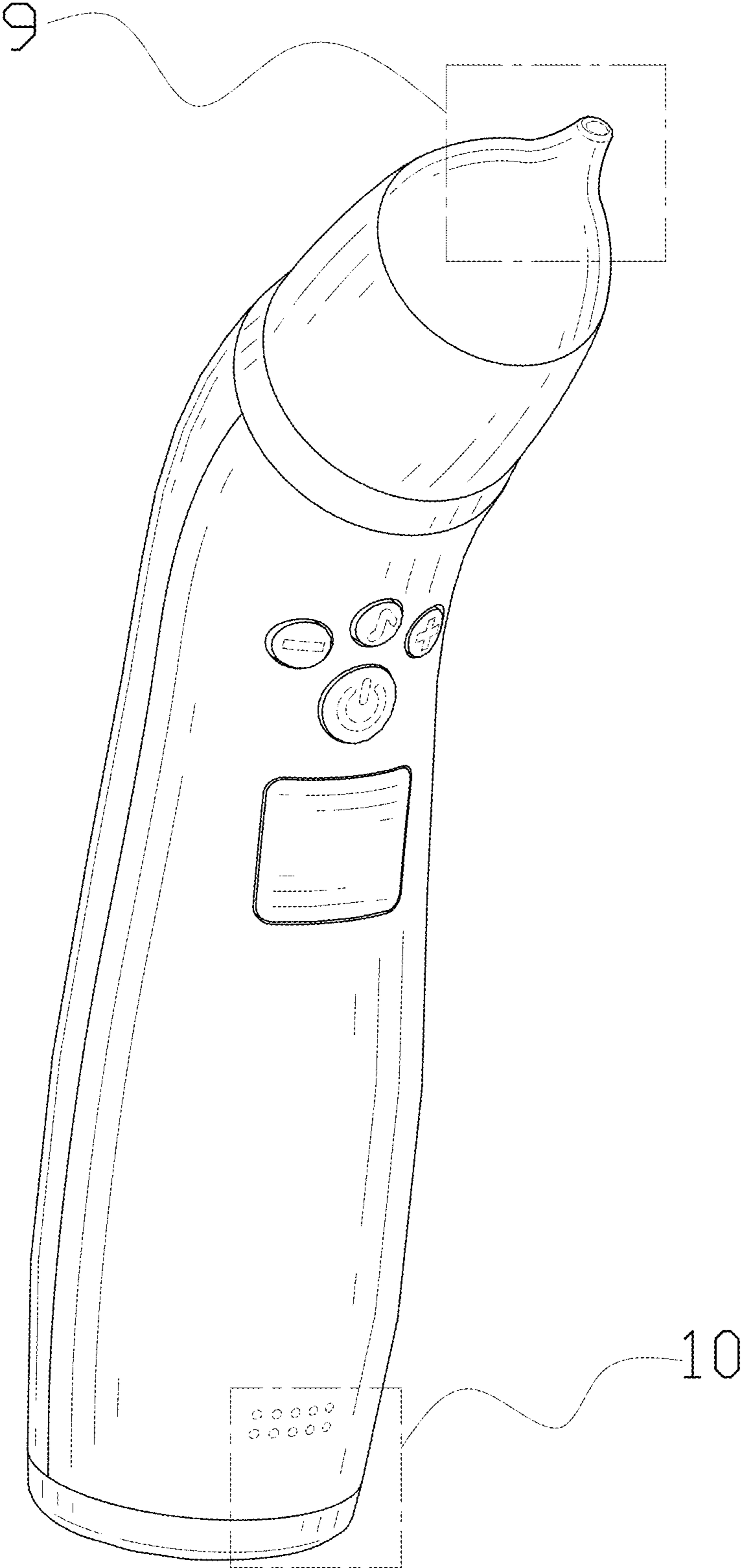


FIG. 1

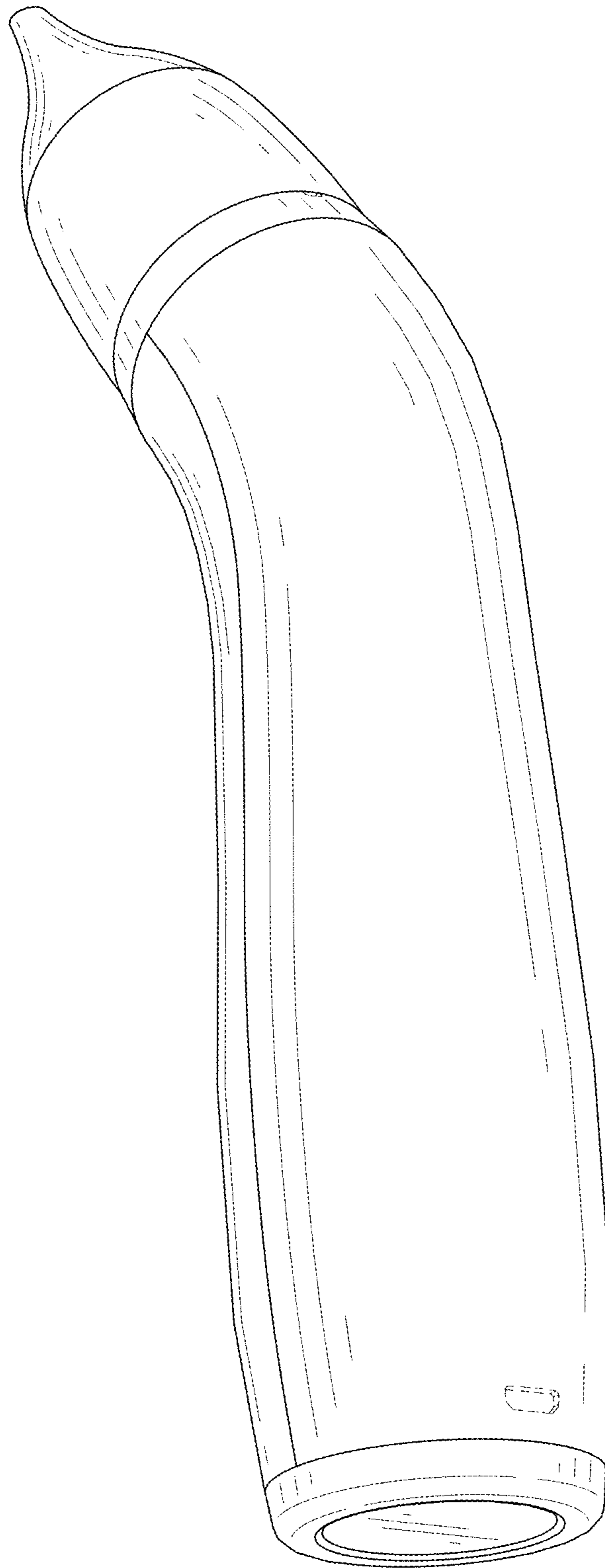


FIG. 2

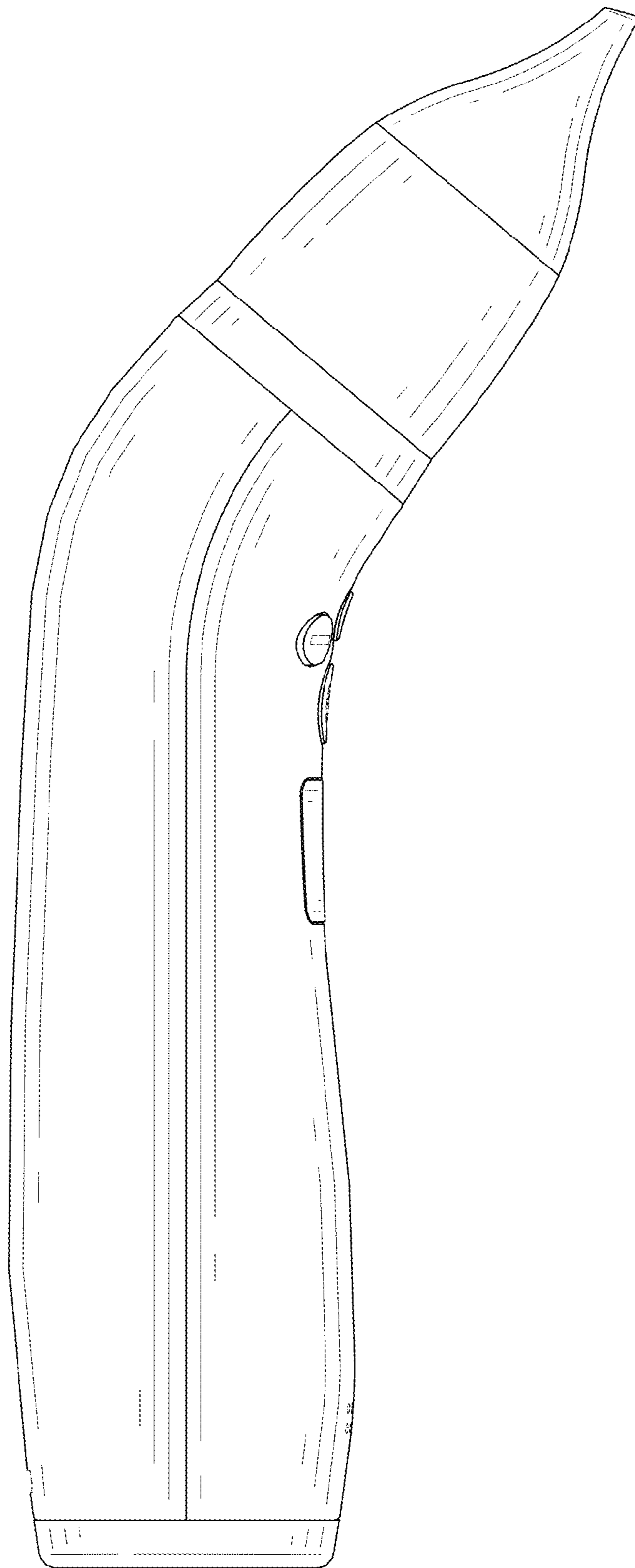


FIG. 3

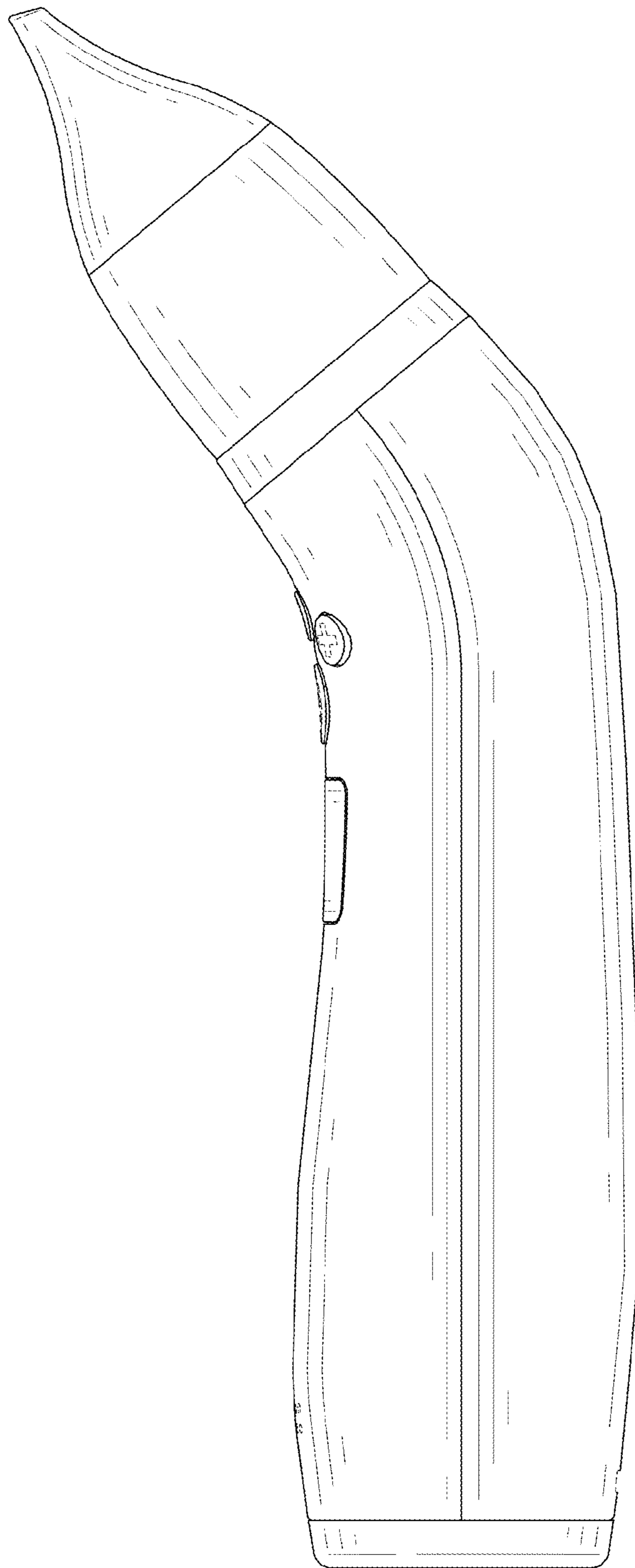


FIG. 4

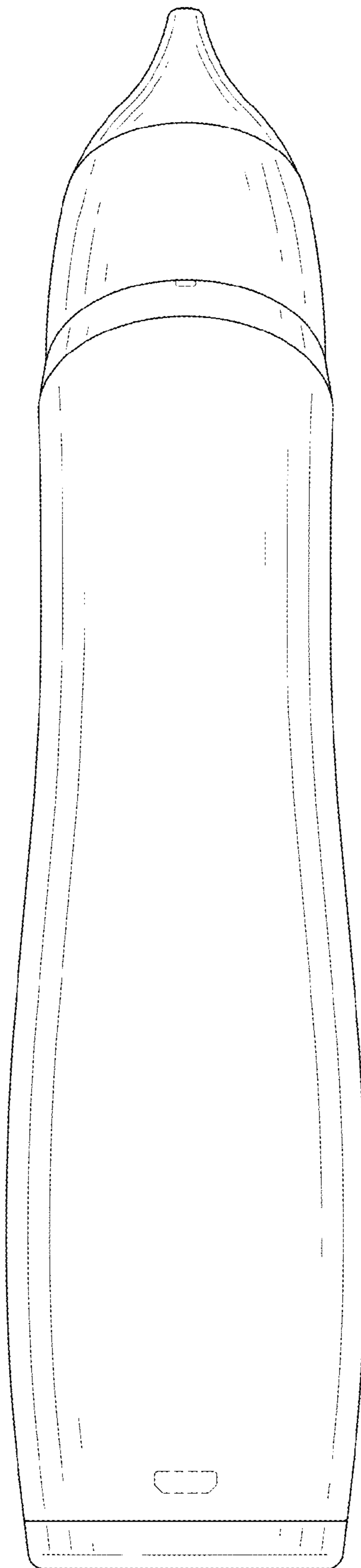


FIG. 5

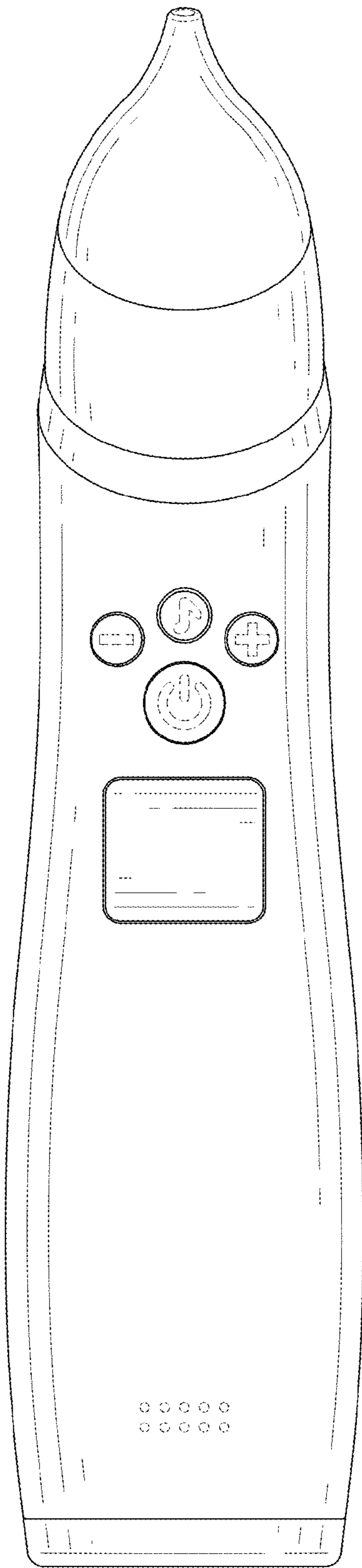


FIG. 6

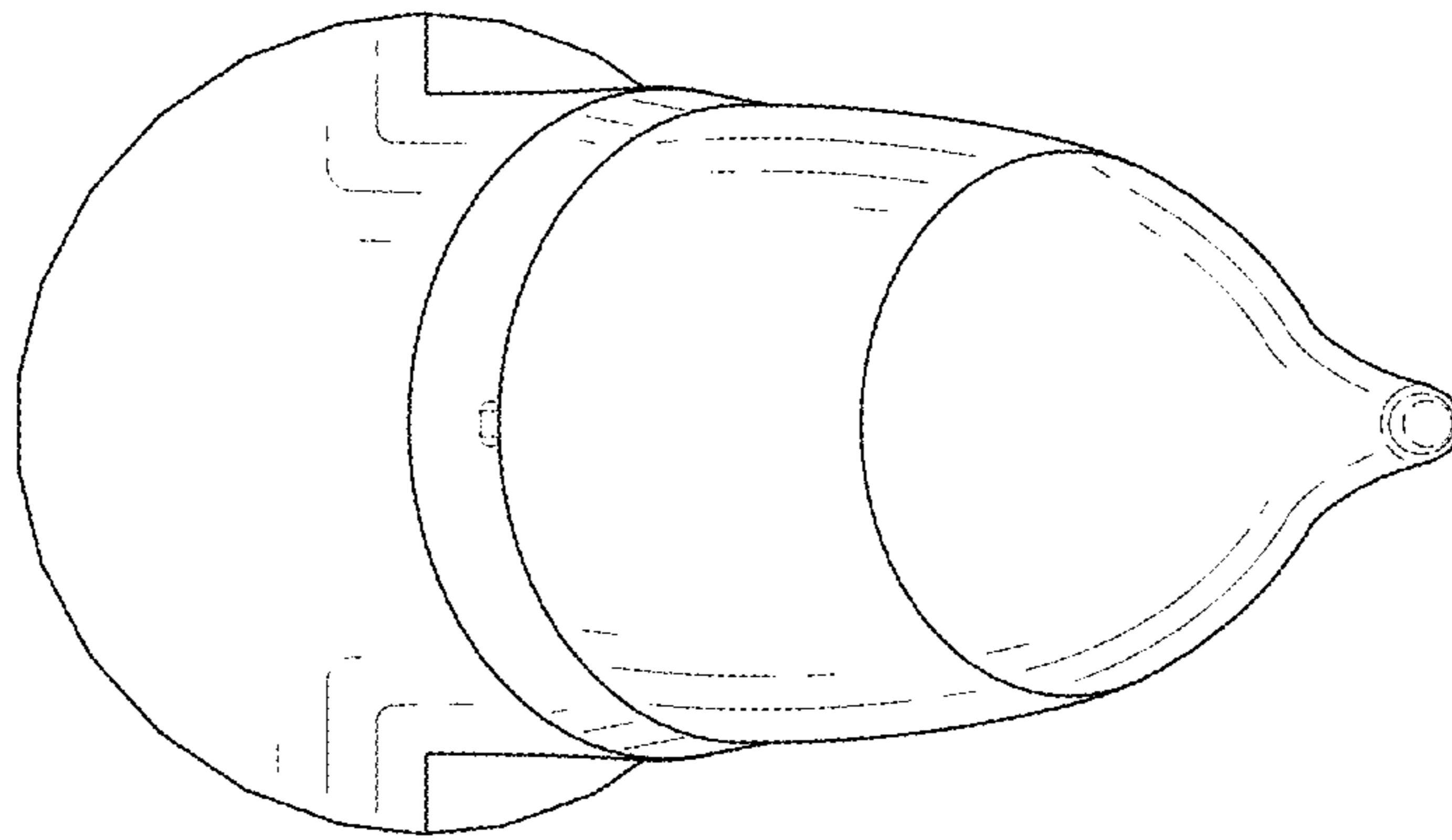


FIG. 7

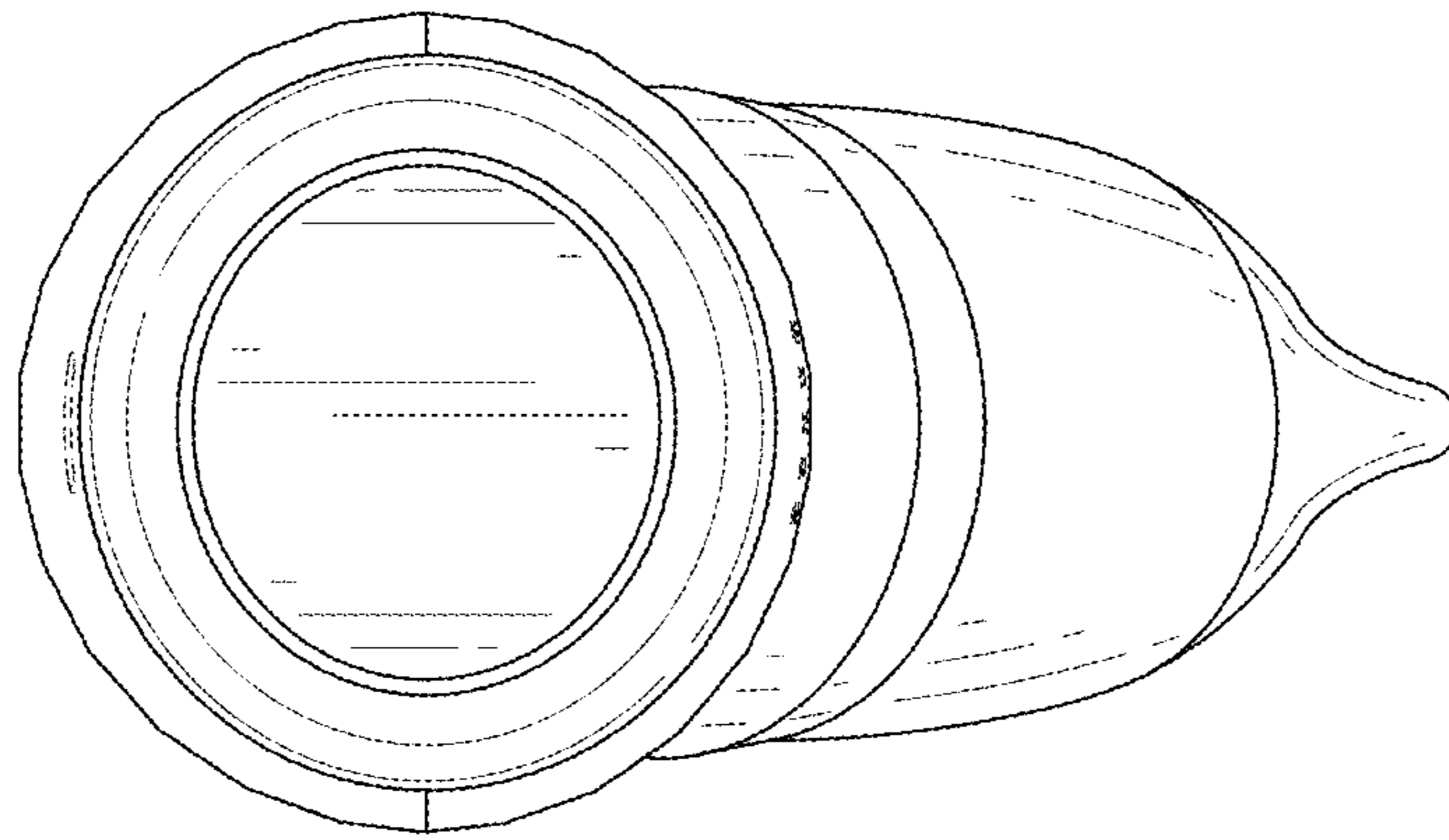


FIG. 8

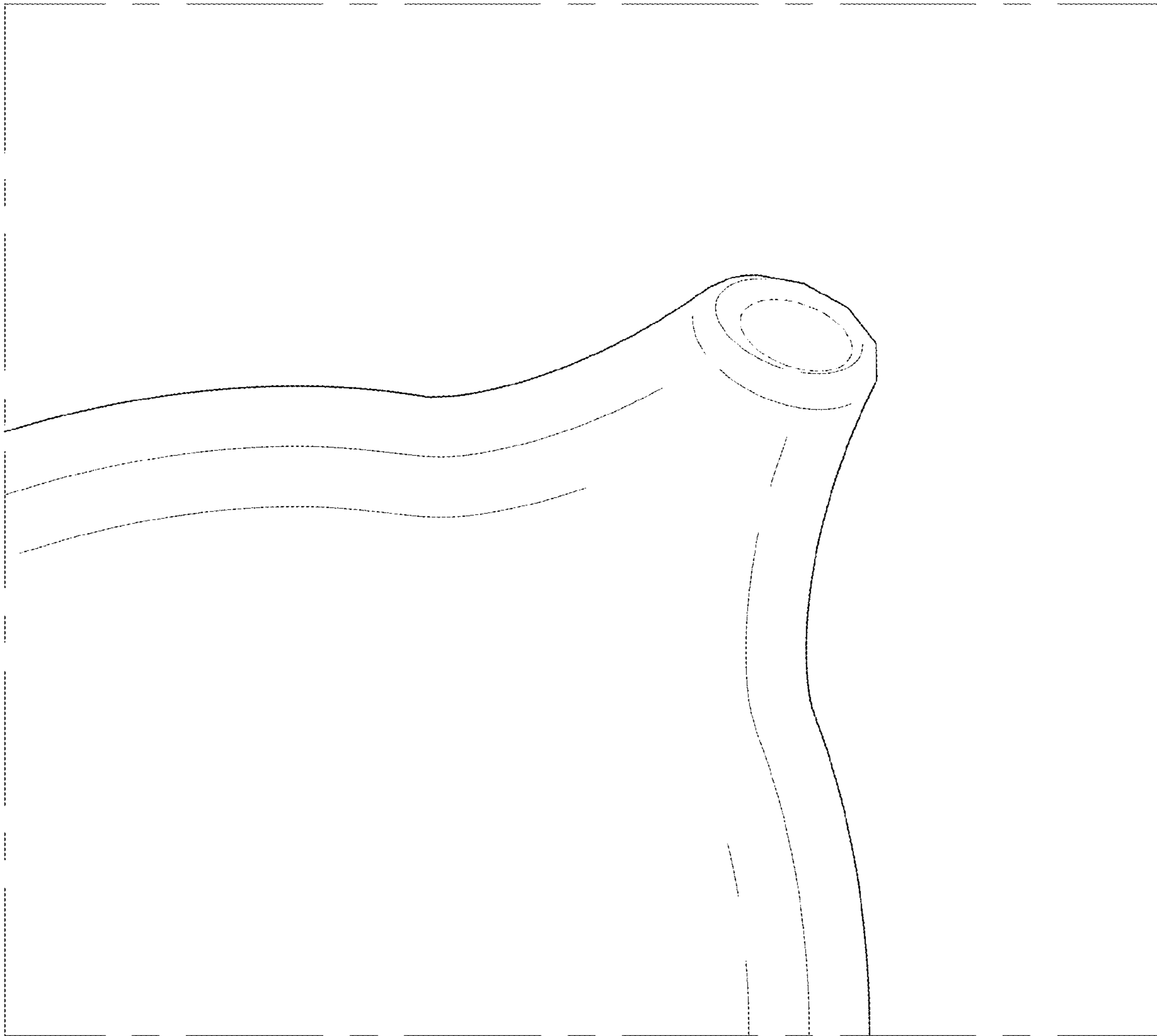


FIG. 9

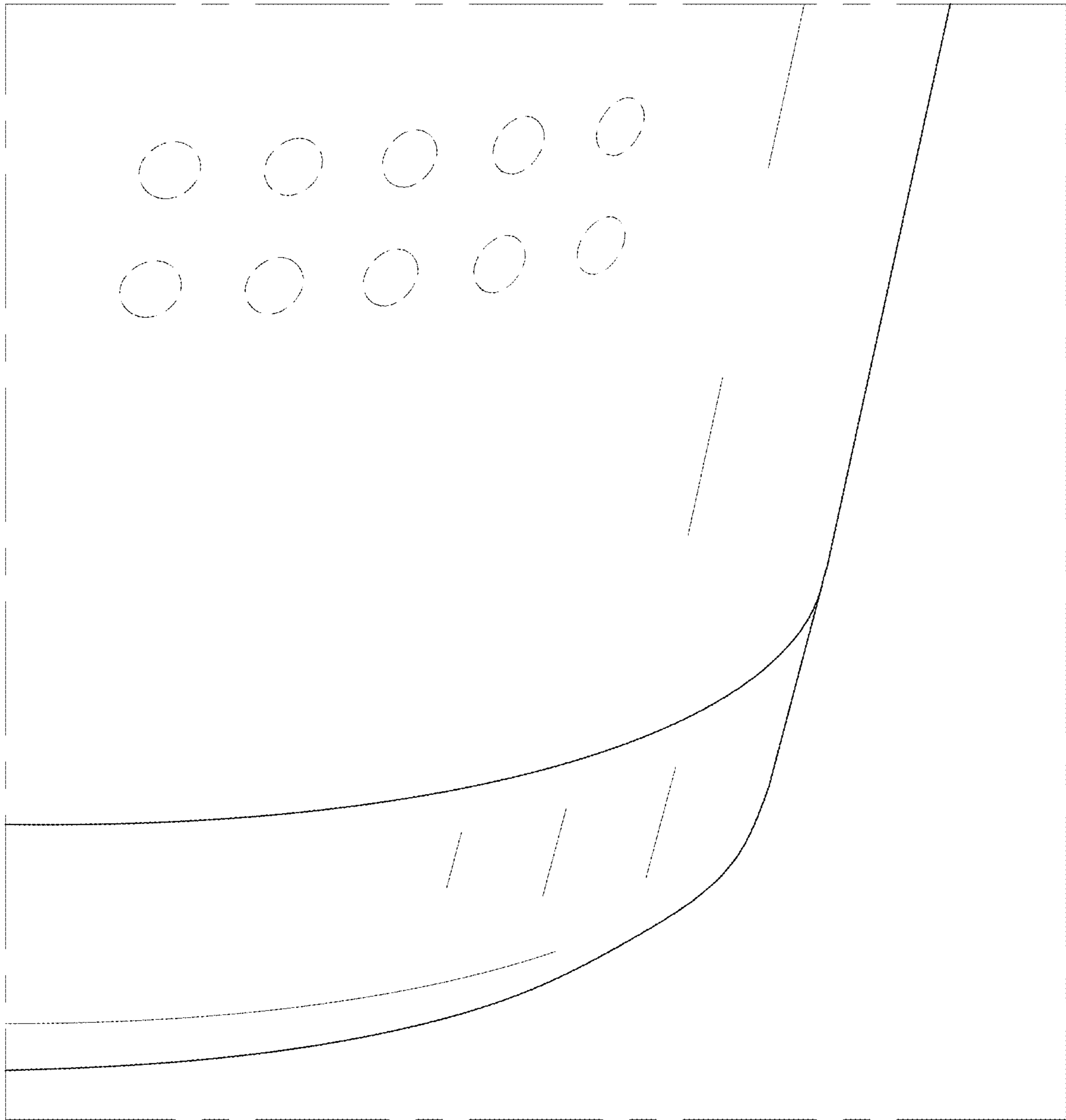


FIG. 10

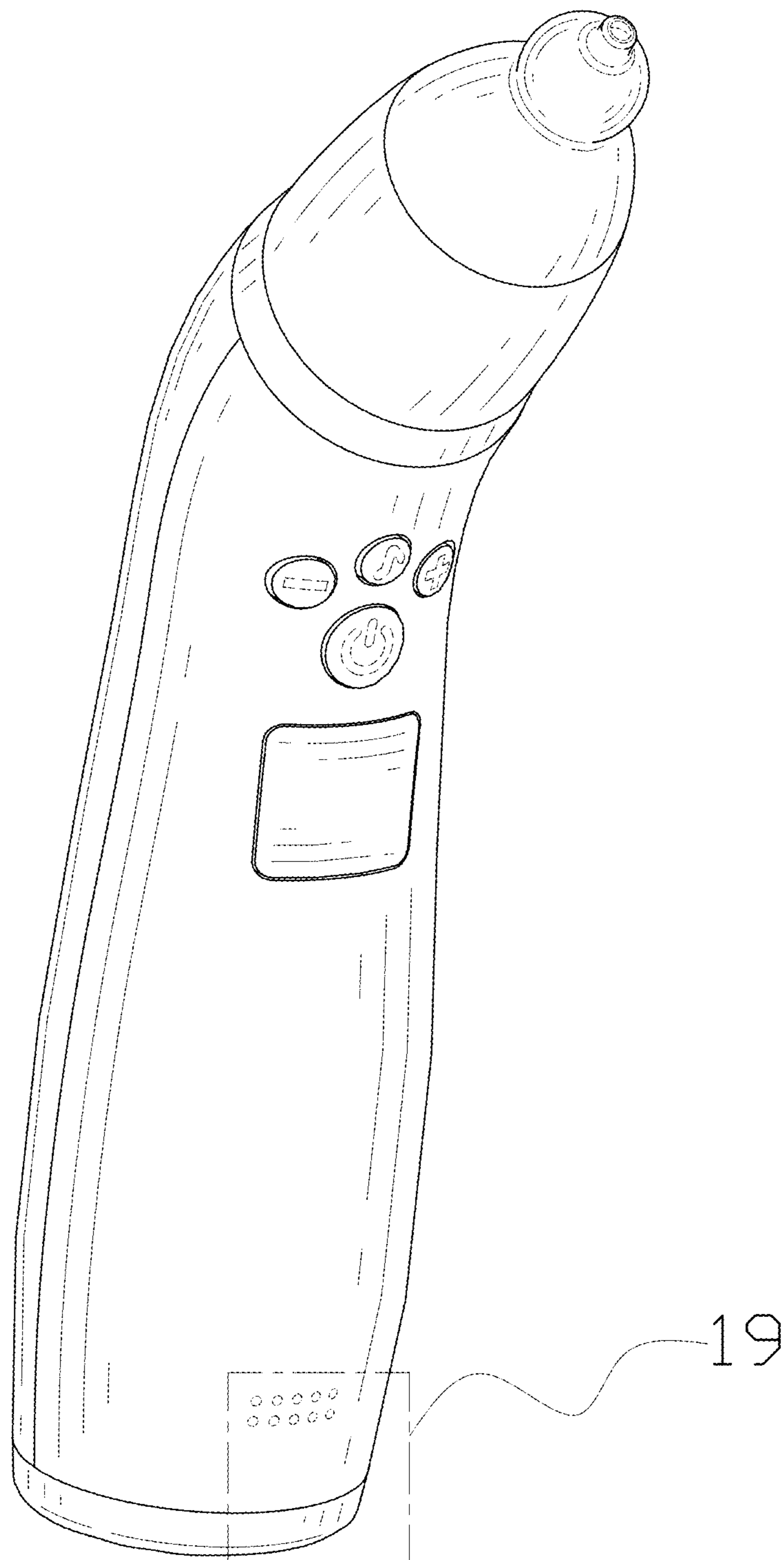


FIG. 11

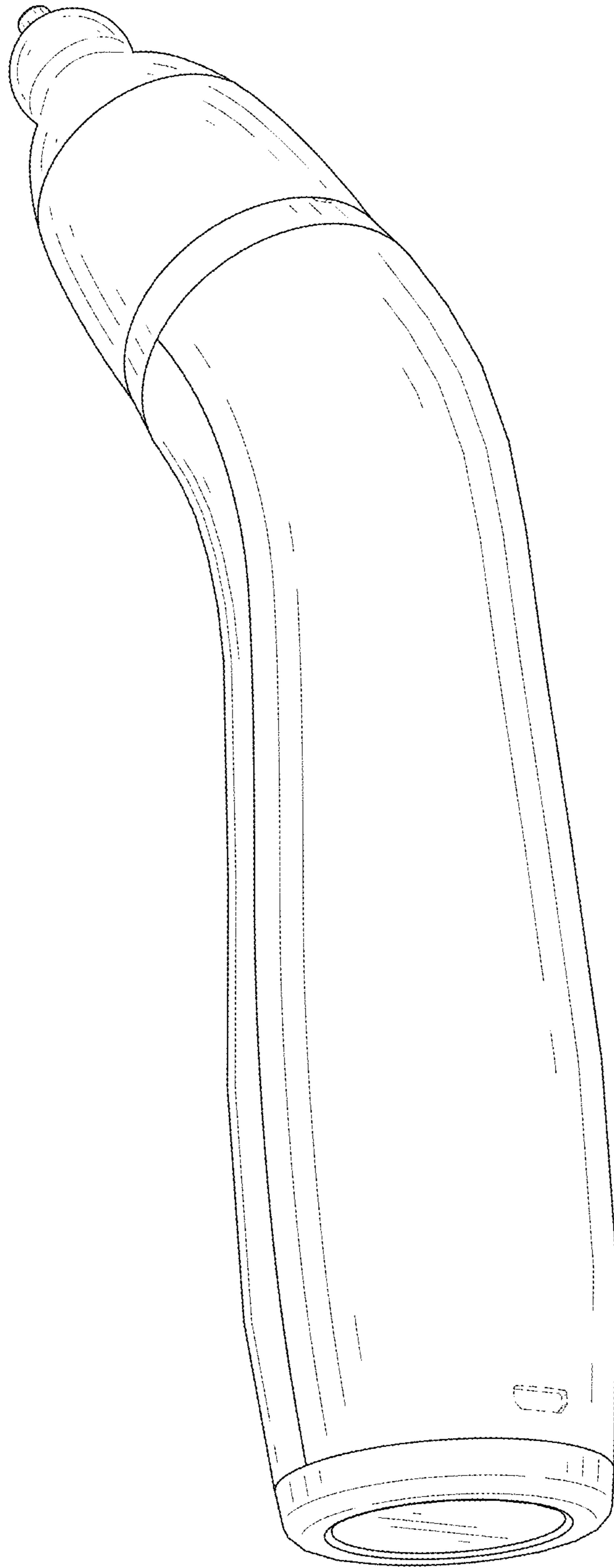


FIG. 12

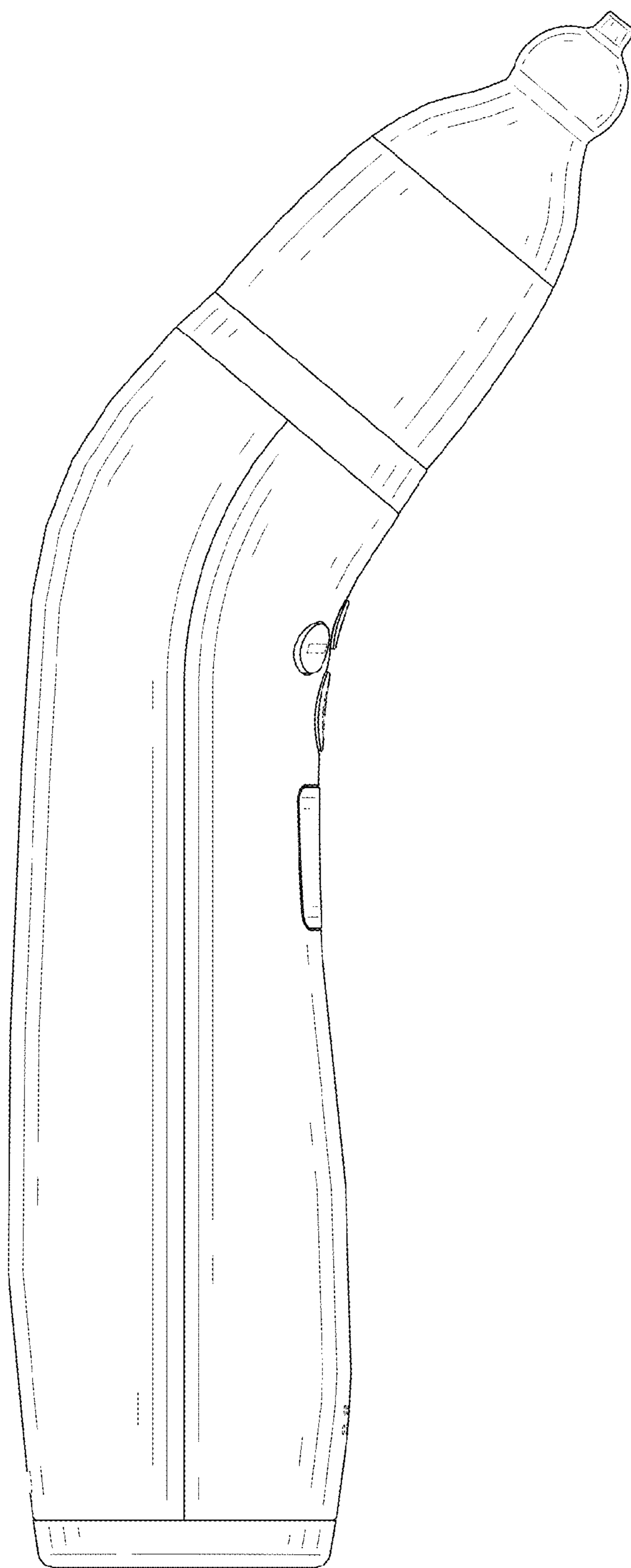


FIG. 13

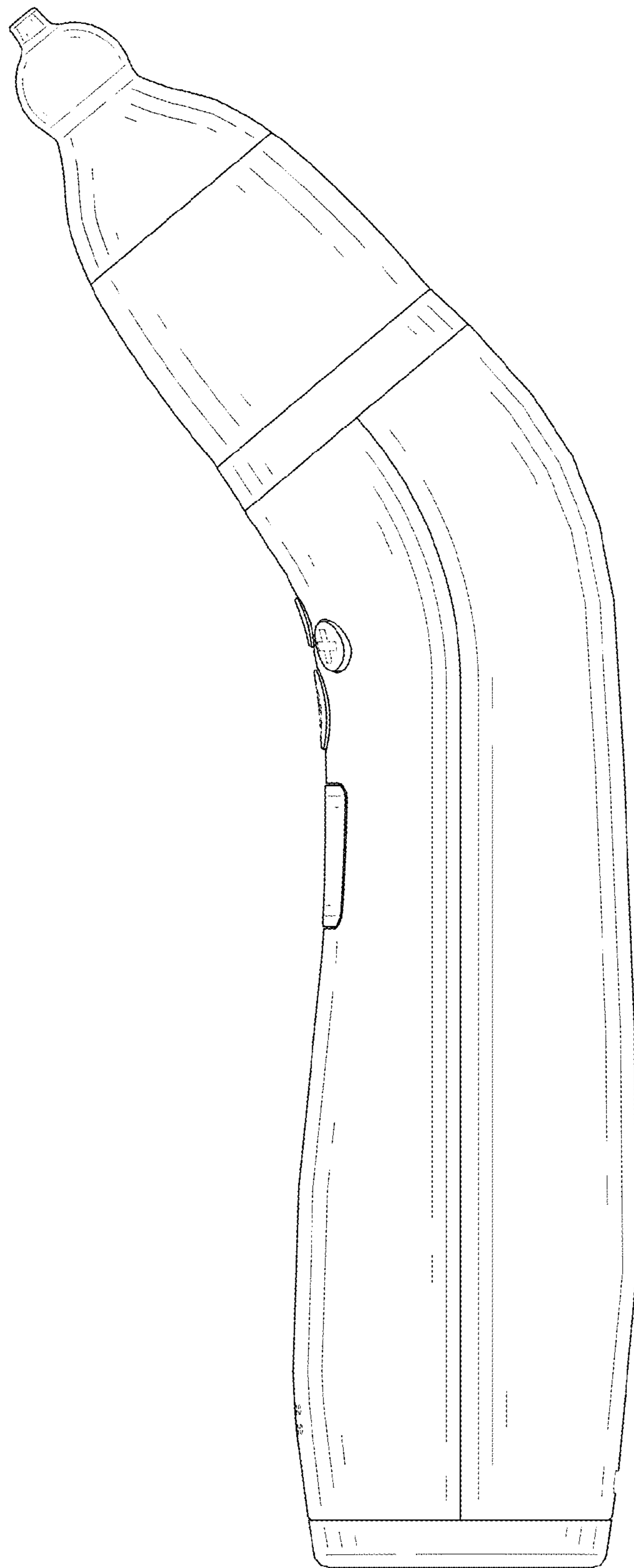


FIG. 14

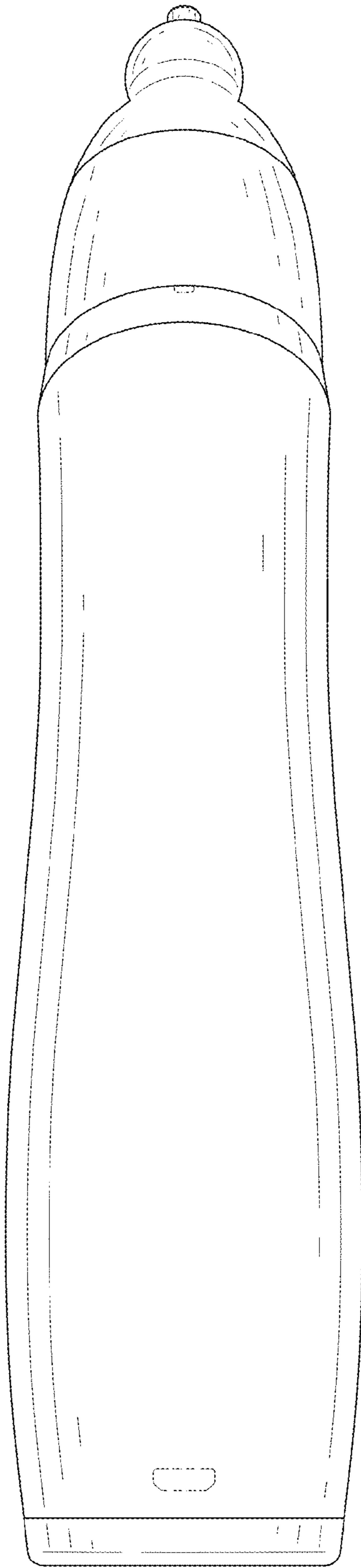


FIG. 15

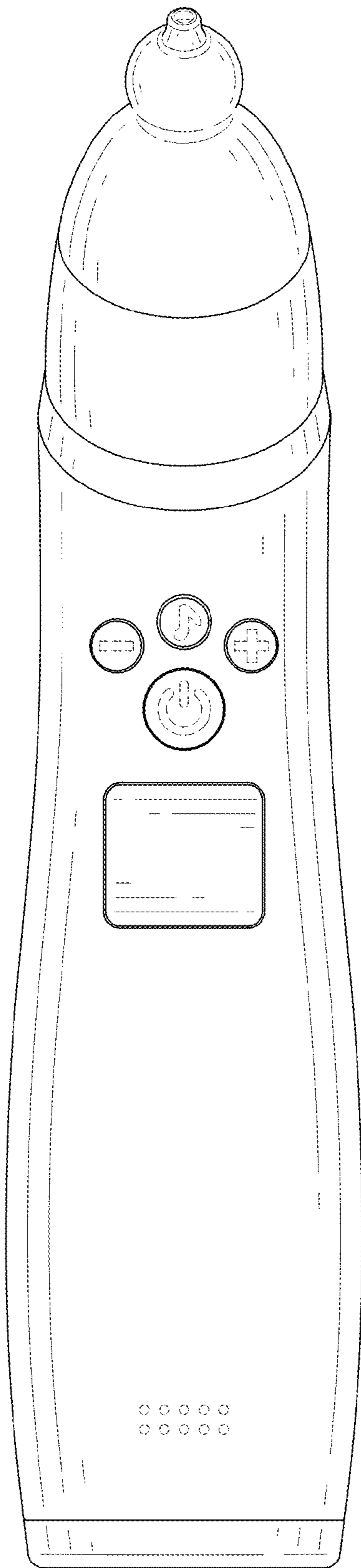


FIG. 16

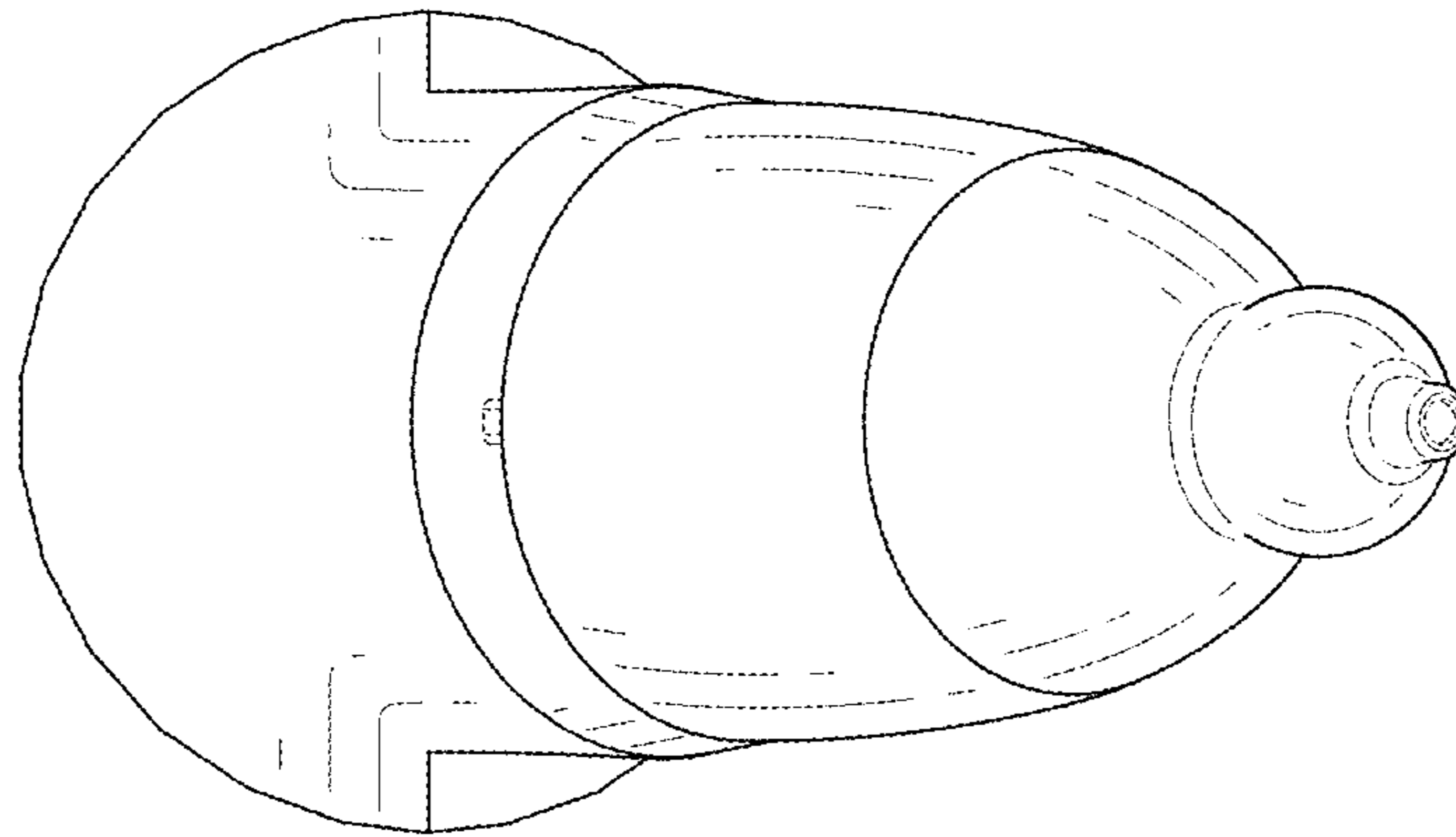


FIG. 17

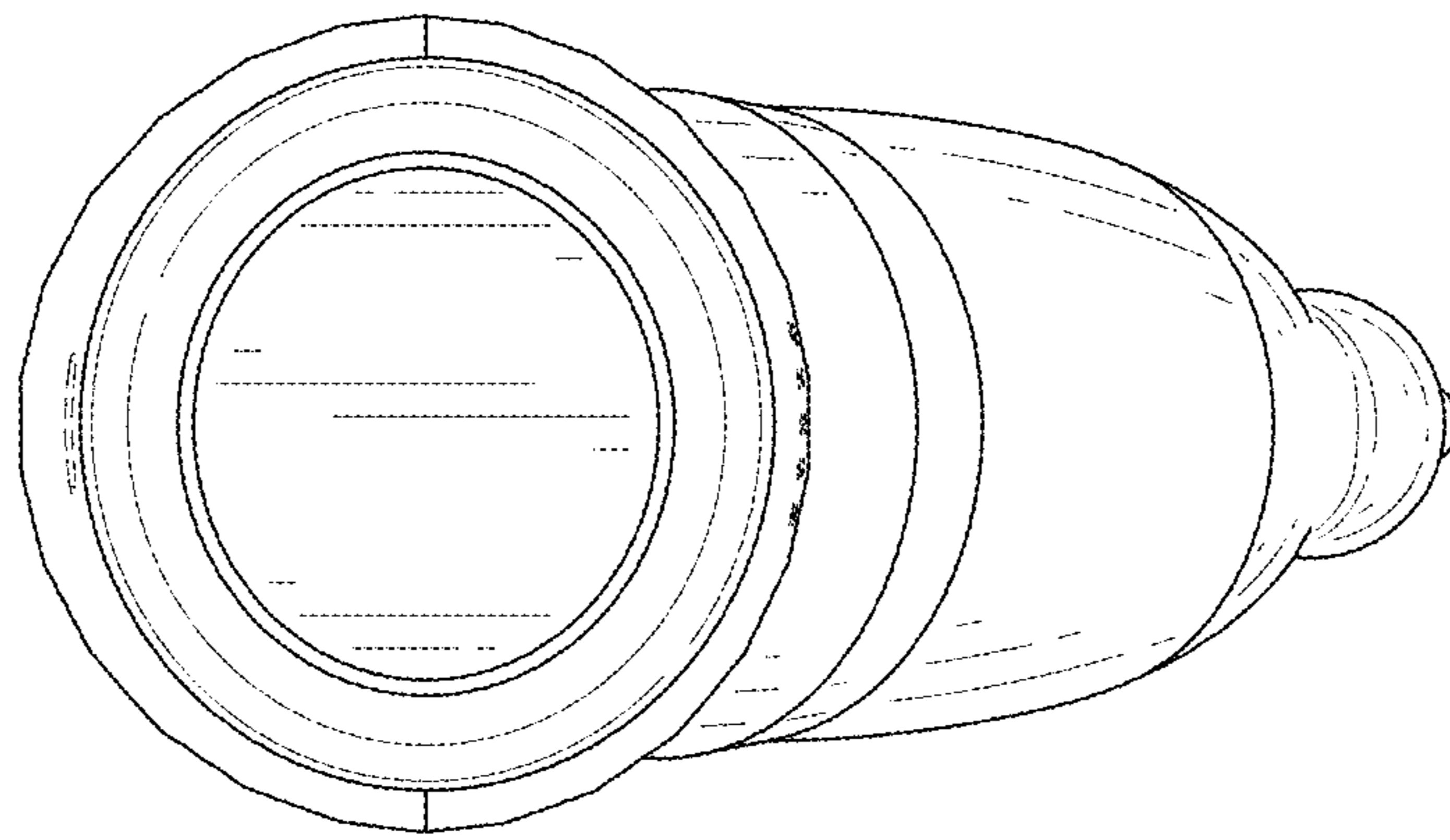


FIG. 18

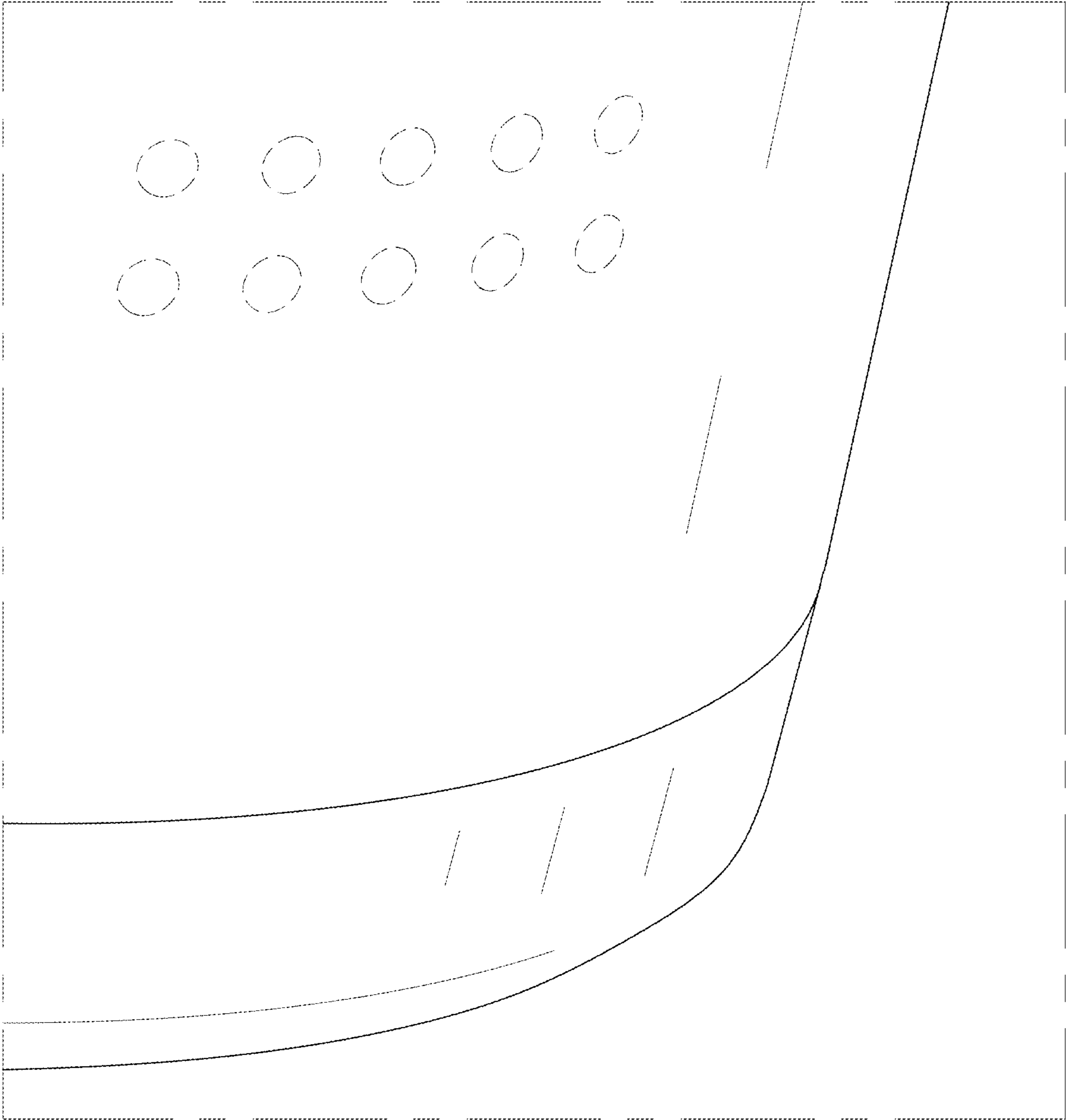


FIG. 19