



US00D883469S

(12) **United States Design Patent** (10) **Patent No.:** **US D883,469 S**
Inkrote et al. (45) **Date of Patent:** **** May 5, 2020**

- (54) **DRUG INFUSION DEVICE**
- (71) Applicant: **Milestone Scientific, Inc.**, Livingston, NJ (US)
- (72) Inventors: **Nathan J. Inkrote**, Manasquan, NJ (US); **Mark N. Hochman**, Great Neck, NY (US); **Matthew Tramontana**, Pennington, NJ (US); **Stephen E. Simantiras**, Morristown, NJ (US)
- (73) Assignee: **MILESTONE SCIENTIFIC, INC.**, Livingston, NJ (US)
- (**) Term: **15 Years**
- (21) Appl. No.: **29/603,644**
- (22) Filed: **May 11, 2017**
- (51) **LOC (12) Cl.** **24-01**
- (52) **U.S. Cl.**
USPC **D24/108; D24/111**
- (58) **Field of Classification Search**
USPC D24/107, 108, 111, 185, 186; D15/7-9
CPC A61M 5/142; A61M 5/14212; A61M 5/14228; A61M 5/14232; A61M 5/145; A61M 5/1456; A61M 5/14566; A61M 5/1458; A61M 5/1452; A61M 5/14244; A61M 5/1723; A61M 2005/14208; A61M 2205/52; A61M 2205/505; G06F 19/3468
See application file for complete search history.

D814,021 S *	3/2018	Sabin	D24/111
D817,479 S *	5/2018	Sabin	D24/111
D817,480 S *	5/2018	Sabin	D24/111
D859,634 S *	9/2019	Hochman	D24/108
2006/0122555 A1	6/2006	Hochman		
2013/0053851 A1	2/2013	Schmitz et al.		

OTHER PUBLICATIONS

International Search Report issued in PCT/US16/57264 dated Mar. 22, 2017.

* cited by examiner

Primary Examiner — Sheryl Lane

Assistant Examiner — Aula Soroush

(74) *Attorney, Agent, or Firm* — Niels Haun; Dann, Dorfman, Herrell & Skillman

(57) **CLAIM**

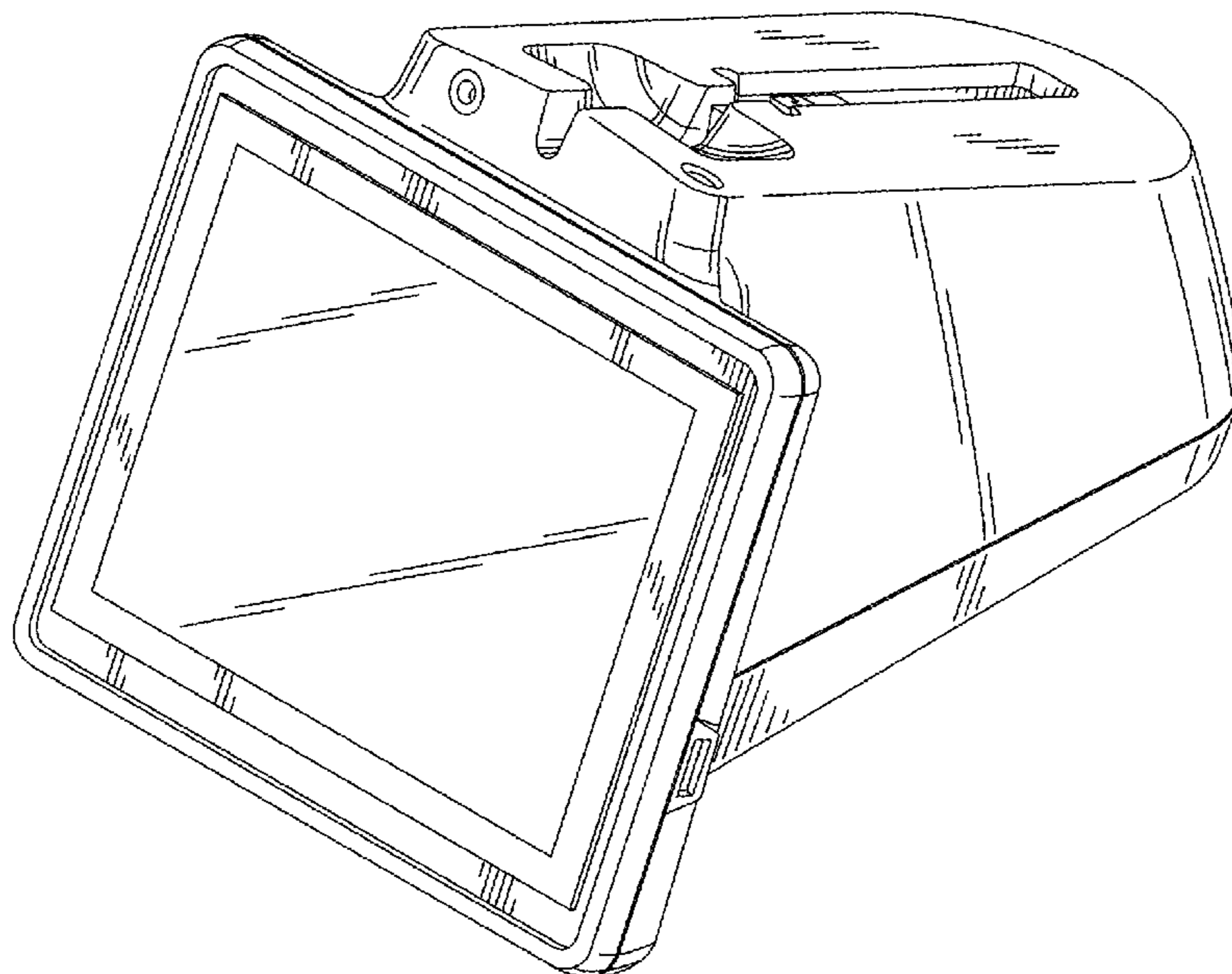
The ornamental design for a drug infusion device, as shown and described.

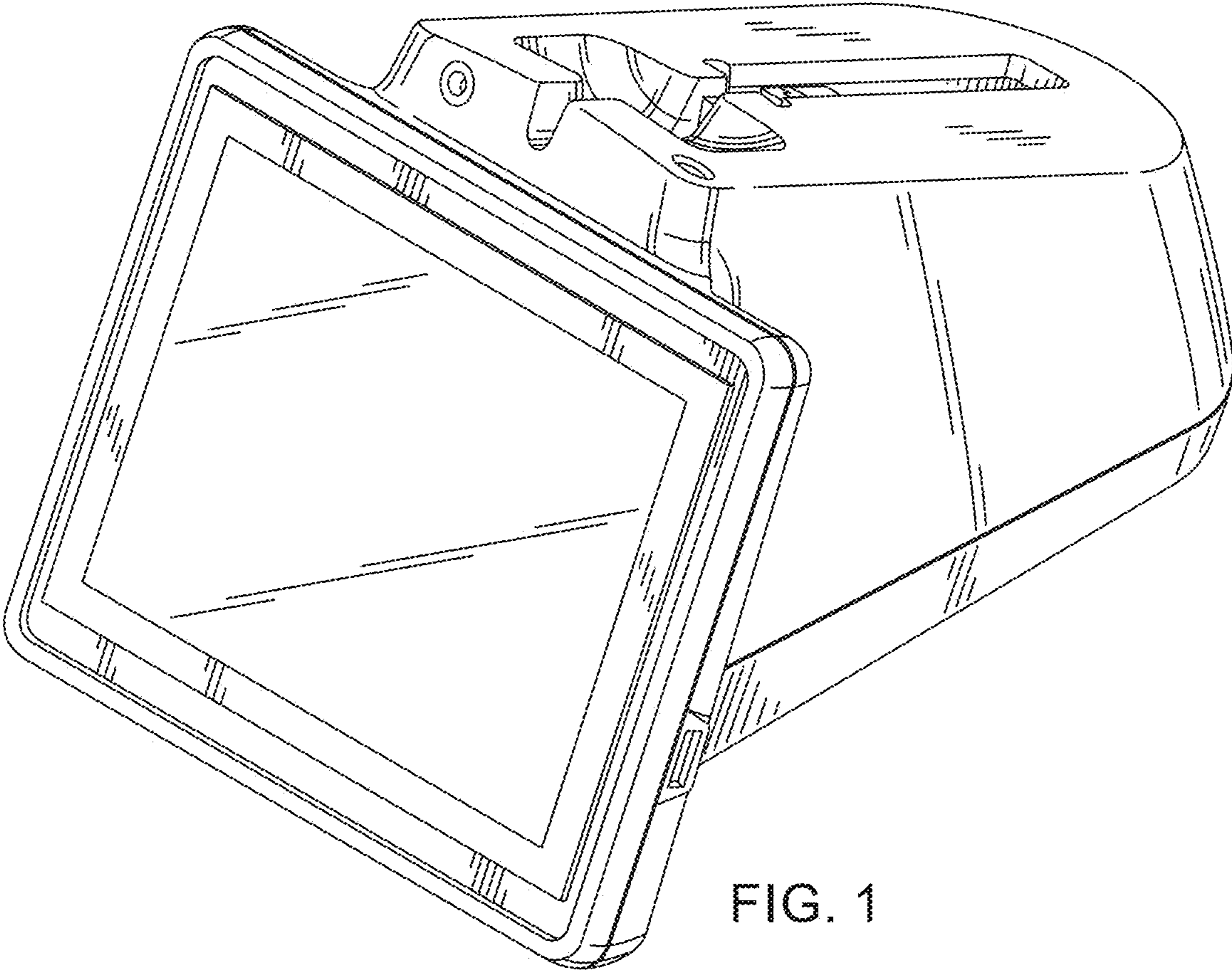
DESCRIPTION

FIG. 1 is a perspective view of a drug infusion device showing our new design;
 FIG. 2 is a front elevational view of the drug infusion device shown in FIG. 1,
 FIG. 3 is a rear elevational view of the drug infusion device shown in FIG. 1;
 FIG. 4 is a right side elevational view of the drug infusion device shown in FIG. 1;
 FIG. 5 is a left side elevational view of the drug infusion device shown in FIG. 1;
 FIG. 6 is a top plan view; and,
 FIG. 7 is a bottom view of the drug infusion device shown in FIG. 1.
 Throughout the drawings, broken lines depict portions of the drug infusion device that form no part of the design.

1 Claim, 7 Drawing Sheets

- (56) **References Cited**
U.S. PATENT DOCUMENTS
D734,475 S * 7/2015 Ross D24/185
D736,370 S * 8/2015 Sabin D24/111
D765,832 S * 9/2016 Hochman D24/111
D767,756 S * 9/2016 Sabin D24/111
D804,017 S * 11/2017 Sabin D24/111





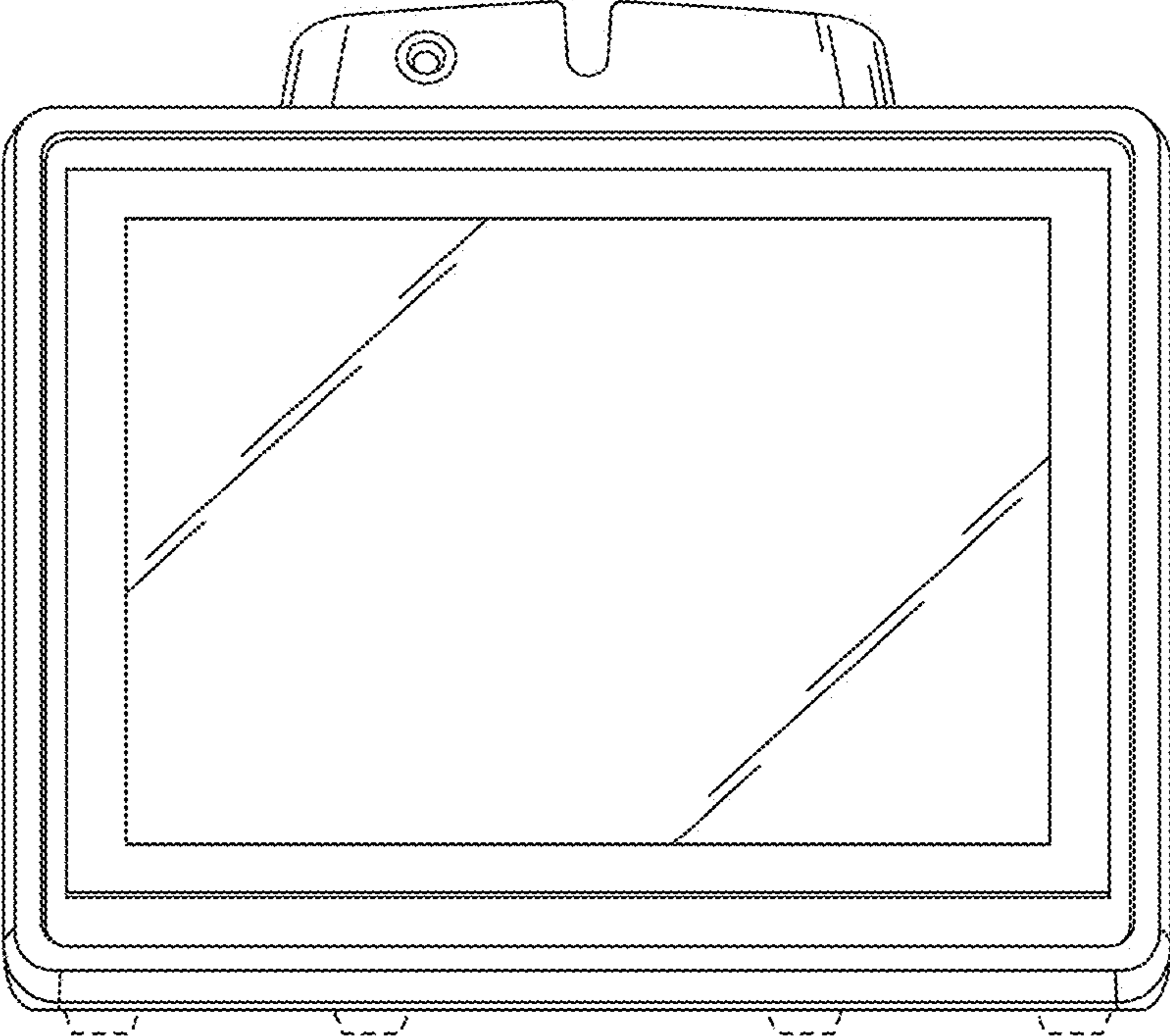


FIG. 2

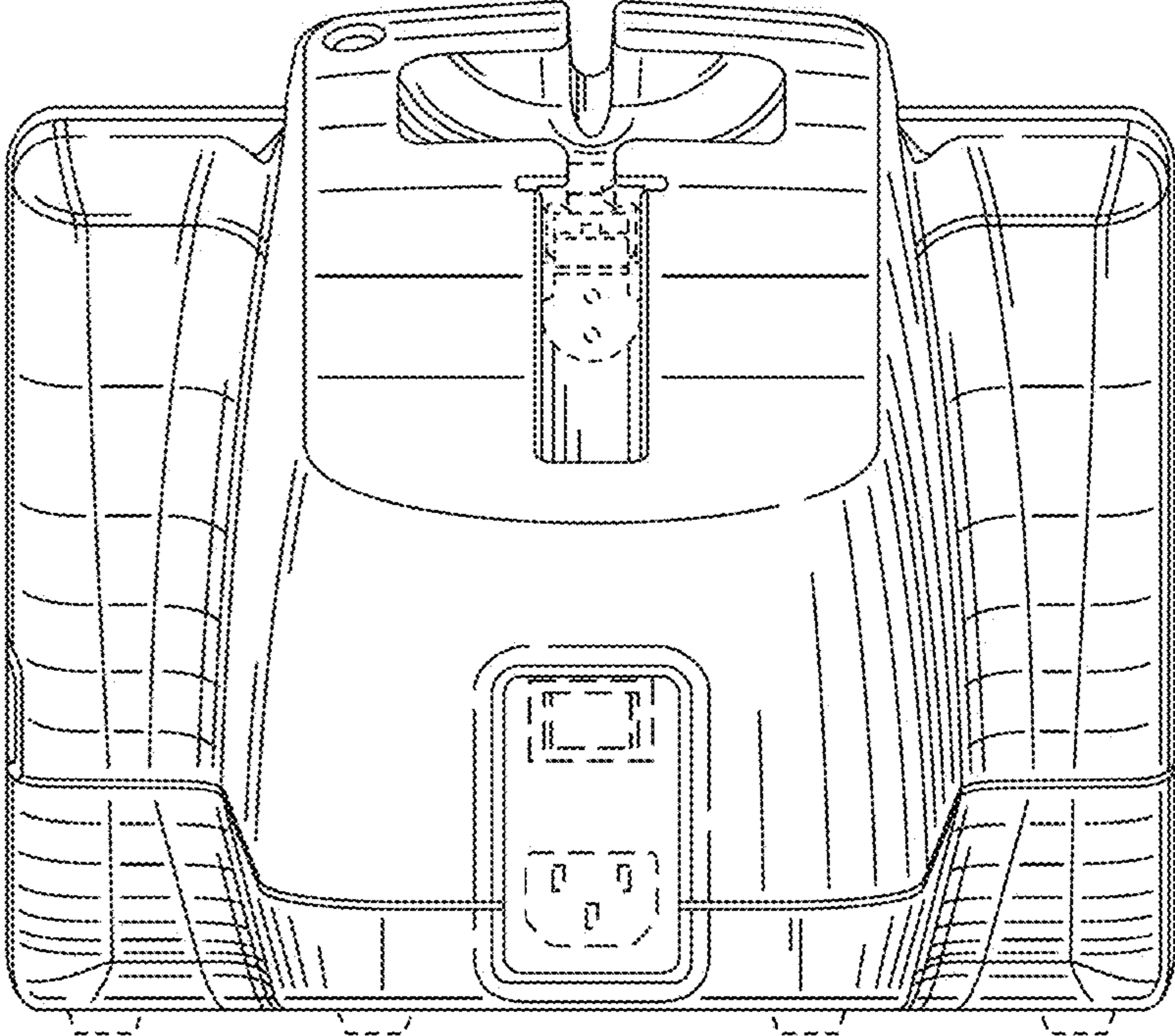


FIG. 3

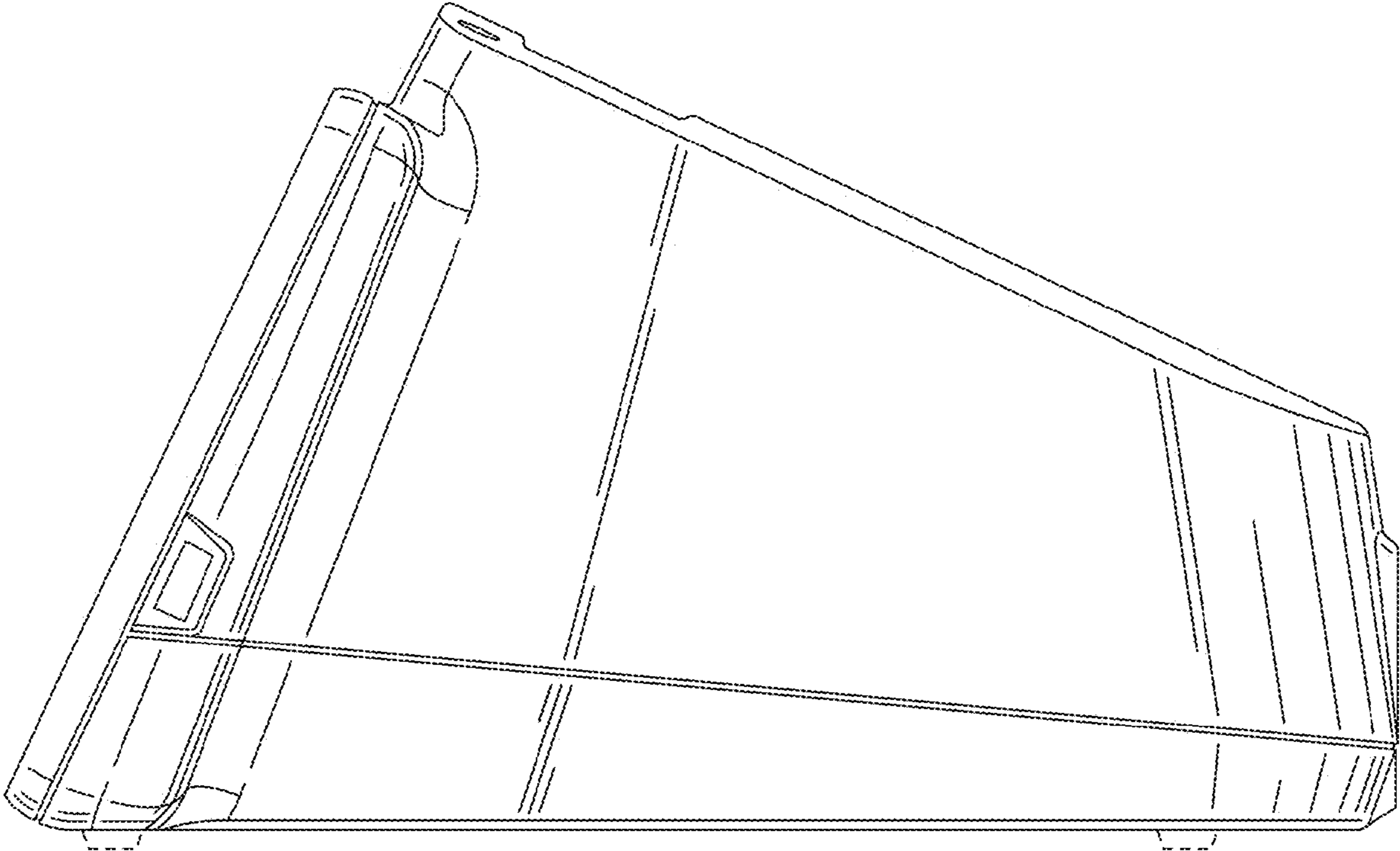


FIG. 4

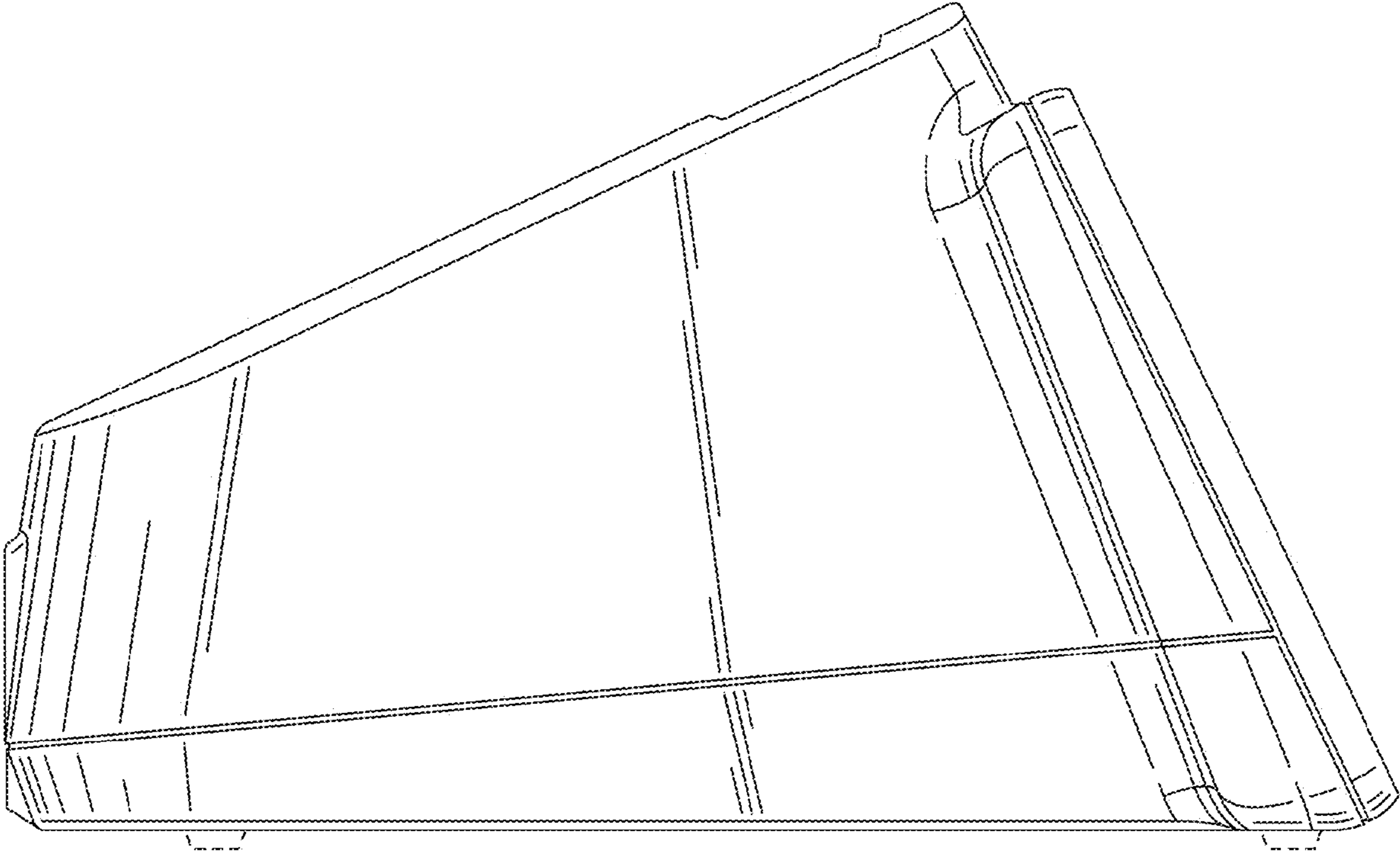


FIG. 5

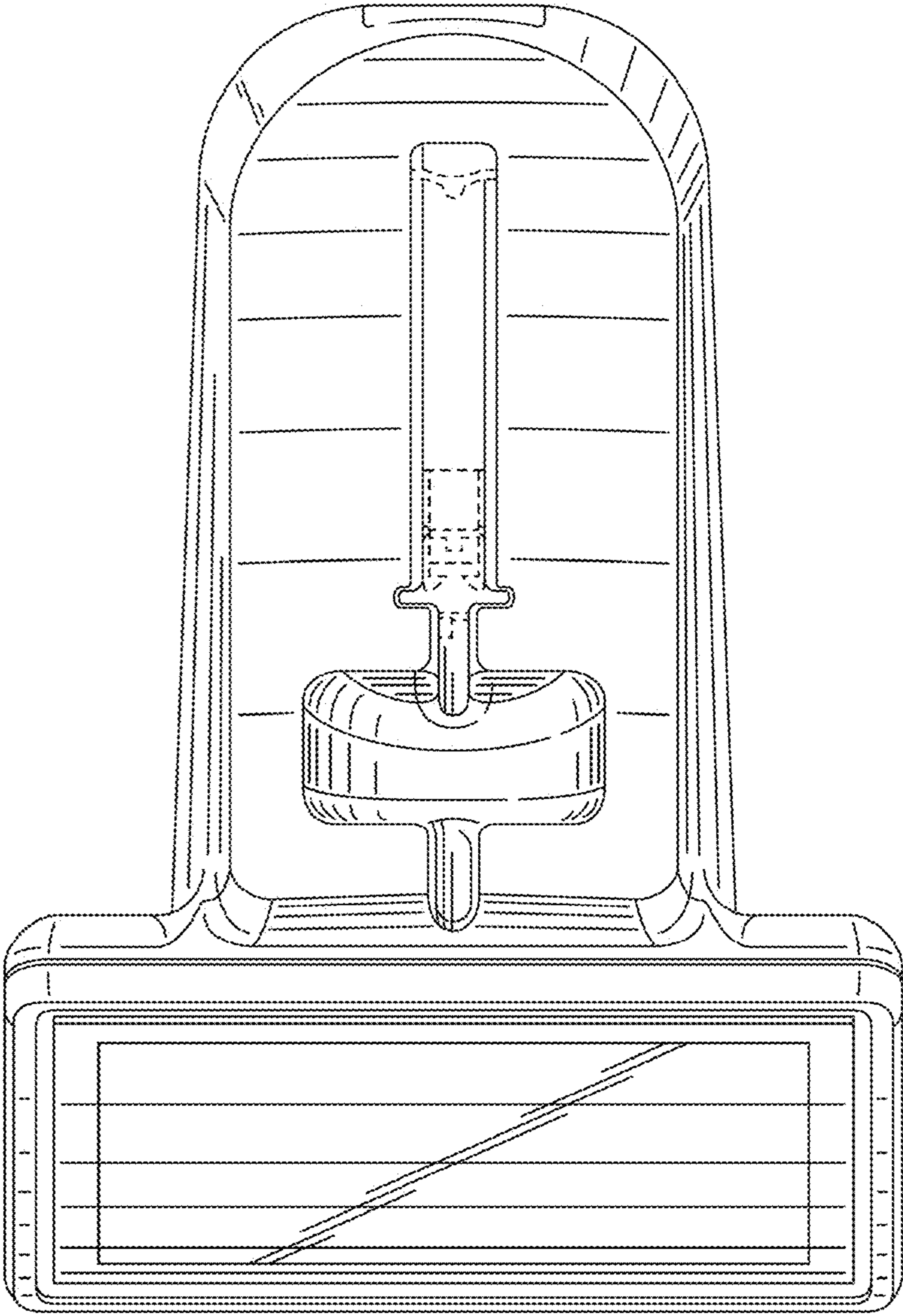


FIG. 6

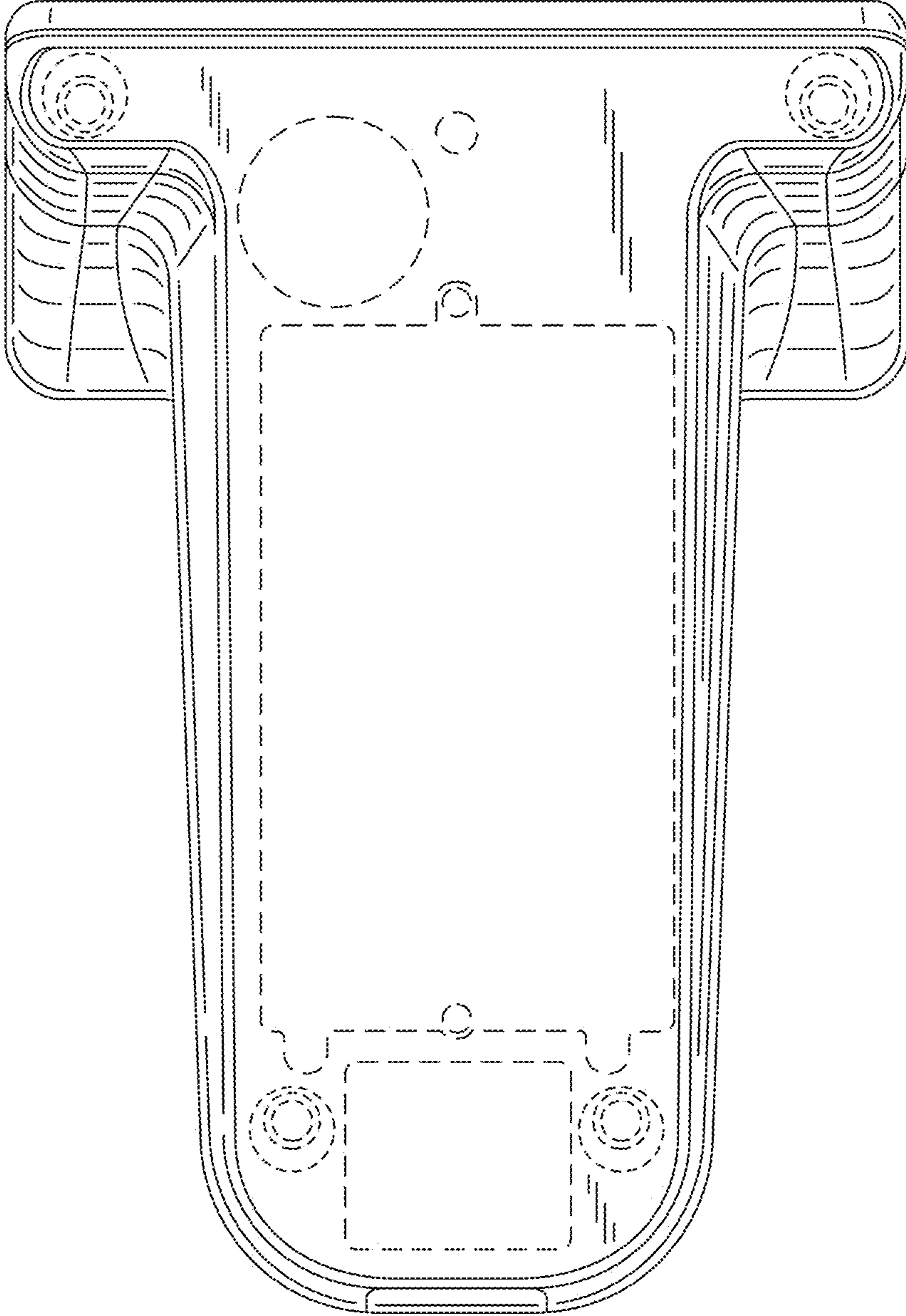


FIG. 7