



US00D883467S

(12) **United States Design Patent**
Jonas et al.

(10) **Patent No.:** **US D883,467 S**

(45) **Date of Patent:** **** May 5, 2020**

(54) **VENTILATION GRILL**

(71) Applicant: **Broan-NuTone LLC**, Hartford, WI (US)

(72) Inventors: **Kenneth John Jonas**, Mequon, WI (US); **Corey Scott Jacak**, West Bend, WI (US); **Benjamin Thorpe Puffer**, Hartford, MA (US); **Michael J. Aleven**, West Bend, WI (US)

(73) Assignee: **Broan-NuTone LLC**, Hartford, WI (US)

(**) Term: **15 Years**

(21) Appl. No.: **29/609,464**

(22) Filed: **Jun. 30, 2017**

Related U.S. Application Data

(62) Division of application No. 29/539,401, filed on Sep. 14, 2015, now Pat. No. Des. 799,678.

(51) **LOC (12) Cl.** **23-04**

(52) **U.S. Cl.**
USPC **D23/385**; D23/412

(58) **Field of Classification Search**
USPC D23/370, 371, 377-379, 381, 382, D23/385-388, 411, 412; D26/59
CPC F04D 25/088; F04D 29/005; F04D 29/601; F04D 29/324; F21V 33/0096; F21V 33/0092; F24F 13/078
See application file for complete search history.

(56) **References Cited**

U.S. PATENT DOCUMENTS

1,030,028 A	6/1912	Stampaher et al.
1,395,833 A	11/1921	Kling et al.
1,532,635 A	4/1925	Osburn
1,713,101 A	5/1929	Starrett
1,886,841 A	11/1932	Searles

1,895,642 A	1/1933	Livingston
1,941,450 A	1/1934	Sylvan
2,019,867 A	11/1935	Nelson
2,021,086 A	11/1935	Oskamp
D107,399 S	12/1937	Broadwin
2,108,283 A	2/1938	Drew et al.
D109,887 S	5/1938	Fordyce
2,182,690 A	12/1939	Cole
D118,359 S	1/1940	Arenberg

(Continued)

FOREIGN PATENT DOCUMENTS

BE	648597	9/1994
CA	108550	1/2006

(Continued)

OTHER PUBLICATIONS

Nutone/Sterling Lighting Catalog NS103 .COPYRGT.1980, p. 57, Downlight #87, and p. 81, Recessed Square Light #XT-210.

(Continued)

Primary Examiner — Janice Hallmark

(74) *Attorney, Agent, or Firm* — Barnes & Thornburg LLP

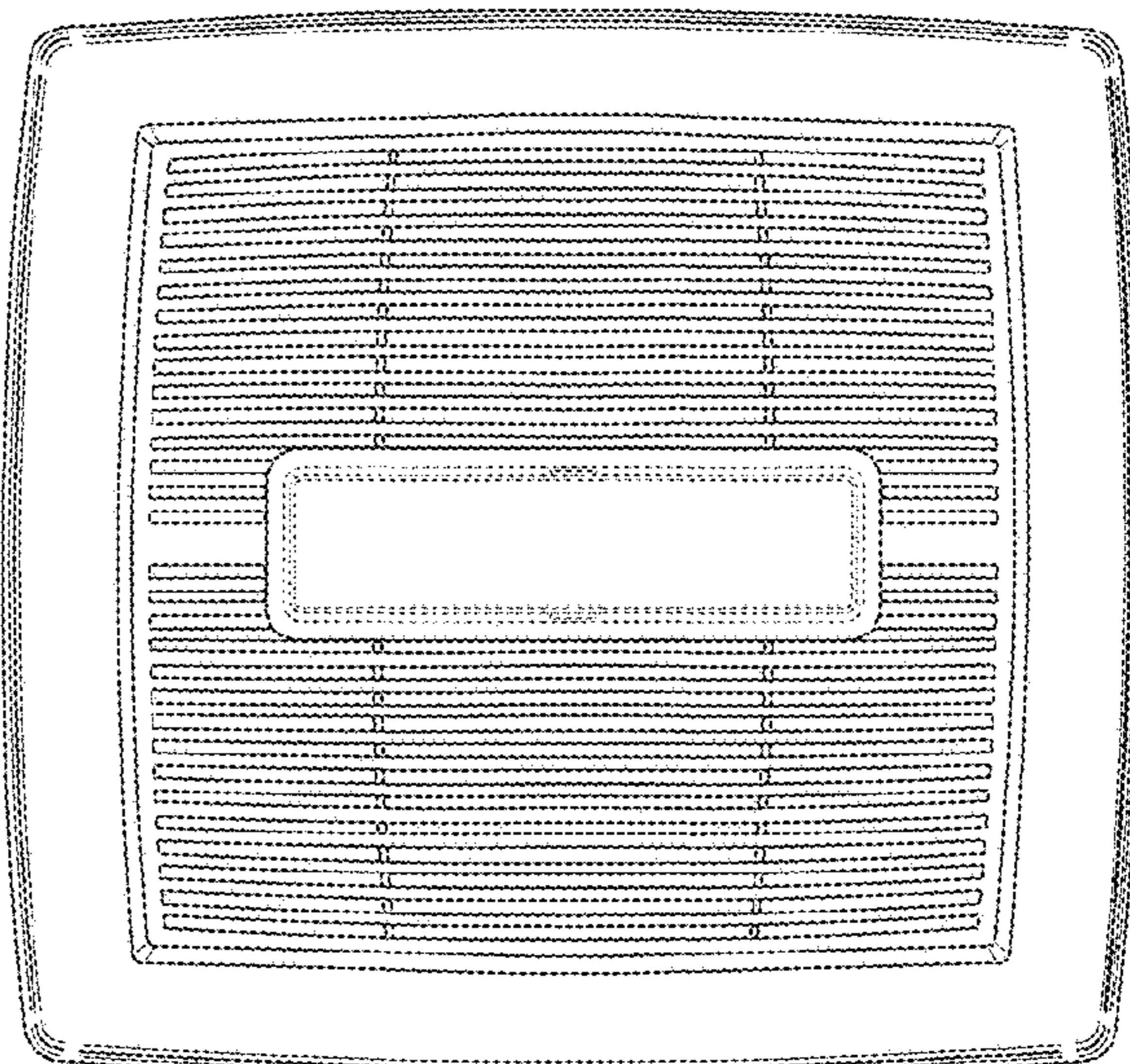
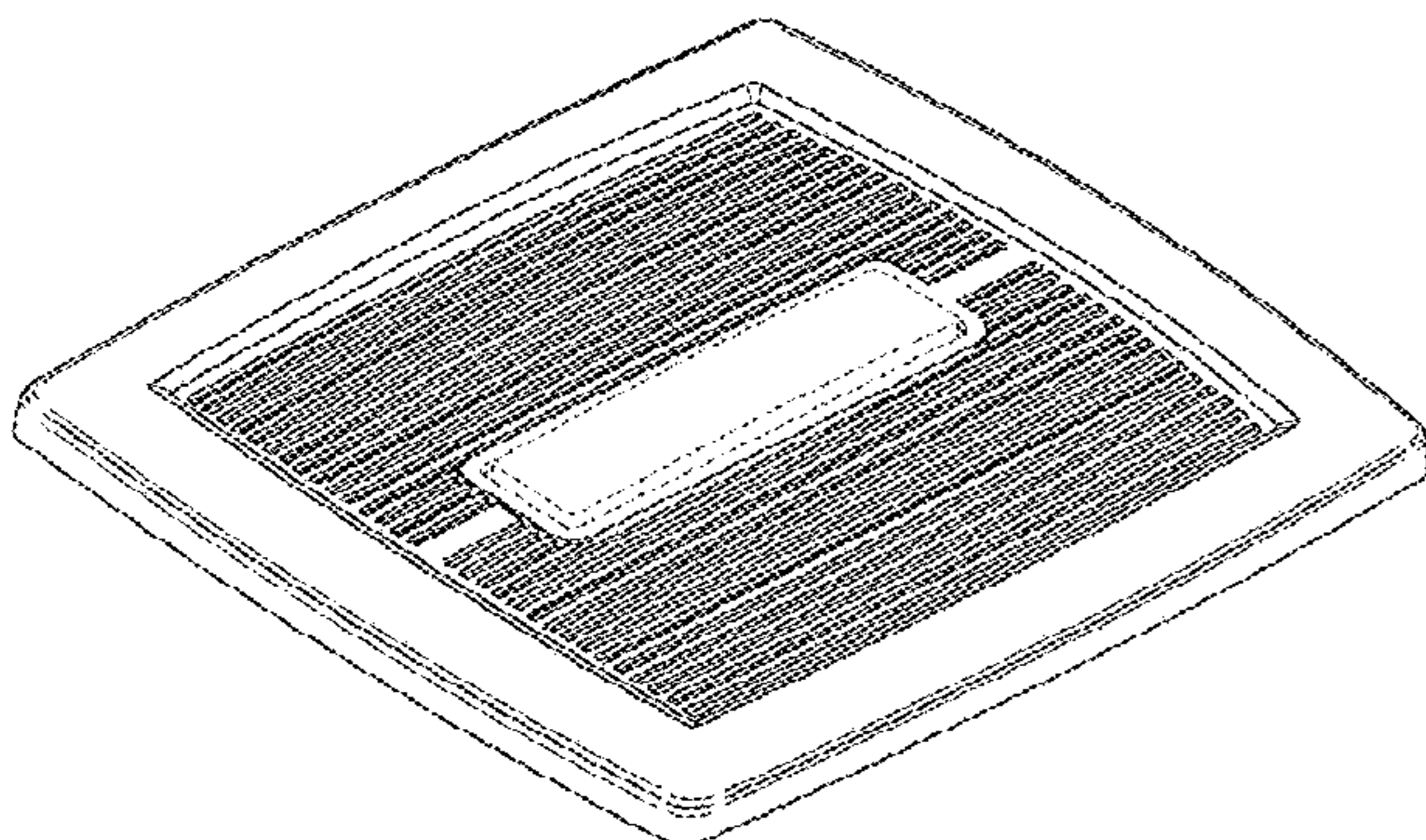
(57) **CLAIM**

The ornamental design for a ventilation grill, as shown and described.

DESCRIPTION

FIG. 1 is a perspective view of a ventilation grill showing our new design;
FIG. 2 is a top plan view thereof;
FIG. 3 is a bottom view thereof;
FIG. 4 is a side view thereof; and,
FIG. 5 is a front view, the rear view being exactly the same in appearance, thereof.
The broken lines depict environmental subject matter only and form no part of the claimed design.

1 Claim, 4 Drawing Sheets



(56)

References Cited

U.S. PATENT DOCUMENTS

D120,266 S	4/1940	Kurth et al.	3,777,650 A	12/1973	Wenig
D120,772 S	5/1940	Arenberg	3,785,271 A	1/1974	Joy
D120,773 S	5/1940	Arenberg	3,788,207 A	1/1974	Doherty, II
2,220,127 A	11/1940	Slayter	3,861,894 A	1/1975	Marsh
2,222,081 A	11/1940	Leigh	3,875,678 A	4/1975	Vits
D126,128 S	3/1941	Hallman	3,926,537 A	12/1975	Piper
2,240,617 A	5/1941	Harrigan	3,952,638 A	4/1976	Felter et al.
2,278,581 A	4/1942	Dexter	D244,764 S	6/1977	Grubauer
D132,865 S	6/1942	Drollinger	D244,854 S	6/1977	Salamone
2,325,657 A	8/1943	Burkness	4,073,597 A	2/1978	Barnhart et al.
D153,313 S	4/1949	Phillips	4,115,082 A	9/1978	Newell et al.
2,472,748 A	6/1949	Labus	4,141,703 A	2/1979	Mulchi
2,483,377 A	9/1949	Young	4,203,332 A	5/1980	Corsetti
D157,014 S	1/1950	Walker	D256,047 S	7/1980	Wormington
2,576,860 A	11/1951	Shapiro	D257,060 S	9/1980	Mann
D165,982 S	2/1952	Kennedy	D258,083 S	1/1981	Gammell
D166,324 S	4/1952	Kurth	4,252,547 A	2/1981	Johnson
D171,505 S	2/1954	Kruger	D261,803 S	11/1981	Bohanon, Jr.
2,668,491 A	2/1954	Gerlitz	D262,457 S	12/1981	Swales
2,673,514 A	3/1954	Hanks	4,319,898 A	3/1982	Maierhofer
D173,120 S	9/1954	Levenhagen	4,335,647 A	6/1982	Timmons
2,689,906 A	9/1954	Corbett	4,336,749 A	6/1982	Barnhart et al.
2,697,163 A	12/1954	Spear	D267,828 S	2/1983	Cohen
2,710,573 A	6/1955	Marker	D268,952 S	5/1983	Anderson
2,780,981 A	2/1957	Miller	4,382,440 A	5/1983	Kapp et al.
2,790,375 A	4/1957	Broberg	4,385,550 A	5/1983	Steiner et al.
2,799,213 A	7/1957	Hansen	4,385,911 A	5/1983	Popeil et al.
2,800,069 A	7/1957	Smith	4,406,216 A	9/1983	Hott et al.
D180,727 S	8/1957	Bourner	D271,984 S	12/1983	Nelson et al.
2,811,094 A	10/1957	Auer	D275,988 S	10/1984	Walker
2,824,429 A	2/1958	Zucker	D276,282 S	11/1984	Burg
2,831,550 A	4/1958	Bub	D277,298 S	1/1985	Nelson
D183,117 S	7/1958	Coleman et al.	D277,299 S	1/1985	Nelson
2,875,678 A	3/1959	Shepherd	4,510,851 A	4/1985	Samosky et al.
2,911,900 A	11/1959	Emil	D282,275 S	1/1986	Price
2,939,377 A	6/1960	Stach	D282,972 S	3/1986	Castor et al.
2,963,956 A	12/1960	Hill	4,594,940 A	6/1986	Wolbrink et al.
2,987,258 A	6/1961	North	4,610,705 A	9/1986	Samosky et al.
2,996,972 A	8/1961	Ake	D286,446 S	10/1986	Caroli et al.
3,001,056 A	9/1961	Spear	4,628,802 A	12/1986	Steiner et al.
3,002,676 A	10/1961	Papsdorf	D287,888 S	1/1987	Caroli et al.
D192,312 S	2/1962	Hart	D288,007 S	1/1987	Jonas et al.
3,028,475 A	4/1962	Nash	D288,396 S	2/1987	Pitman
3,045,579 A	7/1962	Jenn et al.	4,681,024 A	7/1987	Ivey
D193,868 S	10/1962	Bloomfield et al.	4,722,266 A	2/1988	Deckert
3,064,548 A	11/1962	Field	D295,675 S	5/1988	Demarest
3,068,341 A	12/1962	Ortiz et al.	4,754,697 A	7/1988	Asselbergs
3,075,335 A	1/1963	Bandlow et al.	4,776,798 A	10/1988	Crawford
3,097,287 A	7/1963	Knoll et al.	D300,777 S	4/1989	Bales et al.
3,101,662 A	8/1963	Alldritt	D300,847 S	4/1989	Lin
D196,618 S	10/1963	Hammes	4,862,334 A	8/1989	Ivey et al.
D199,045 S	9/1964	Everts	D303,436 S	9/1989	Clyde-Mason
3,211,080 A	10/1965	Rader	4,867,640 A	9/1989	Penlesky et al.
3,212,425 A	10/1965	Hazen et al.	4,991,496 A	2/1991	Kuno et al.
3,215,828 A	11/1965	Bonvallet et al.	D315,790 S	3/1991	Koessler
3,249,037 A	5/1966	Stalker	D322,667 S	12/1991	Fukuda et al.
3,250,063 A	5/1966	Andrews	D323,209 S	1/1992	Fukumoto et al.
3,276,597 A	10/1966	Mesek et al.	D323,554 S	1/1992	Hoyt
3,326,112 A	6/1967	Sadlow et al.	D325,434 S	4/1992	Dosmann
3,332,334 A	7/1967	Melzer	D325,651 S	4/1992	Sonneman
3,347,025 A	10/1967	Wiley	D328,650 S	8/1992	Jones
3,391,689 A	7/1968	Roger	D330,585 S	10/1992	Saito et al.
3,438,180 A	4/1969	Klouda	D331,458 S	12/1992	Saito et al.
3,460,322 A	8/1969	Rivers et al.	D331,638 S	12/1992	Vamberszky et al.
3,572,234 A	3/1971	Schoenthaler	D334,053 S	3/1993	Cook
3,577,710 A	5/1971	Feldman	5,197,920 A	3/1993	Ganse
3,606,593 A	9/1971	Steiner	D334,977 S	4/1993	Avari
3,630,007 A	12/1971	Neumann	D336,895 S	6/1993	Rogov
3,636,306 A	1/1972	Bumpus	D338,954 S	8/1993	Brock
3,665,838 A	5/1972	Shepherd	D340,109 S	10/1993	Julien
3,692,977 A	9/1972	Duhamel et al.	D341,442 S	11/1993	Shapiro
3,698,833 A	10/1972	Cann et al.	5,319,942 A	6/1994	Paustian
3,732,030 A	5/1973	Mullings	D349,778 S	8/1994	Johnson et al.
3,743,439 A	7/1973	Cann	D350,191 S	8/1994	Tsuji
D229,181 S	11/1973	Bledsoe	5,333,830 A	8/1994	Millen
			D350,409 S	9/1994	Johnson et al.
			D352,564 S	11/1994	Marischen
			D357,732 S	4/1995	Spechts
			D361,375 S	8/1995	Gallagher et al.

(56)

References Cited

U.S. PATENT DOCUMENTS

D362,059 S	9/1995	Wojcik	D457,616 S *	5/2002	Yamanaka	D23/371
D366,521 S	1/1996	Wijaranakula	D461,235 S	8/2002	Arlotta et al.	
D366,522 S	1/1996	Lagace et al.	D461,995 S	8/2002	Massaloux et al.	
D367,924 S	3/1996	Patel	D464,418 S	10/2002	Goncalves et al.	
D372,767 S	8/1996	Borges	D464,718 S	10/2002	Wilson	
D372,775 S	8/1996	Schuler	6,464,579 B1	10/2002	Salazar	
D374,927 S	10/1996	Chabot	D465,565 S	11/2002	Twito	
D375,350 S	11/1996	Patel et al.	6,488,579 B2	12/2002	Larson et al.	
D376,214 S	12/1996	Pinchuk	D469,172 S	1/2003	Warren et al.	
D376,639 S	12/1996	Moore	6,503,060 B1	1/2003	Kamada	
D376,842 S	12/1996	Franklin et al.	D470,233 S	2/2003	Sarkinen et al.	
D377,535 S	1/1997	Shulman	D470,482 S	2/2003	Ikeda	
5,601,485 A	2/1997	Gigola	6,537,146 B1	3/2003	Haynes	
D378,698 S	4/1997	Ukai et al.	D474,299 S	5/2003	Lecluze	
5,632,334 A	5/1997	Grinbergs et al.	D475,131 S	5/2003	Pilger	
D382,549 S	8/1997	Yoshimoto	D476,073 S	6/2003	Bourgeois	
D386,186 S	11/1997	Schnetzer et al.	D480,712 S	10/2003	Noro	
D386,209 S	11/1997	Firestone et al.	D480,791 S	10/2003	Phillips	
D387,859 S	12/1997	Ukai et al.	D481,822 S	11/2003	Wang	
D388,353 S	12/1997	Desborough et al.	D482,350 S	11/2003	Noro et al.	
D393,708 S	4/1998	Assadi	D482,778 S	11/2003	Shapiro	
D395,494 S	6/1998	Becker	6,651,454 B1	11/2003	Spiegel	
D396,275 S	7/1998	Pearson	6,653,566 B2	11/2003	Petak et al.	
D398,417 S	9/1998	Fritzsche	6,723,428 B1	4/2004	Foss et al.	
5,820,247 A	10/1998	Schuler	D490,147 S	5/2004	Miura	
D401,682 S	11/1998	Galezzi et al.	D490,509 S	5/2004	Negrão et al.	
D403,442 S	12/1998	Joss	6,750,760 B2	6/2004	Albritton et al.	
D403,787 S	1/1999	Van Belle	D493,447 S	7/2004	Noro et al.	
D404,508 S	1/1999	Marischen	D493,516 S	7/2004	Harbutt et al.	
D405,207 S	2/1999	Mora	D493,907 S	8/2004	Benensohn	
D407,473 S	3/1999	Winbock	D496,487 S	9/2004	Rhee	
D407,521 S	3/1999	Crosby	D496,992 S	10/2004	Lafond	
5,879,232 A	3/1999	Luter, II et al.	D499,505 S	12/2004	Benensohn	
D409,449 S	5/1999	Cornelissen	D503,689 S	4/2005	Saucier	
5,918,972 A	7/1999	Van Belle	6,889,948 B2	5/2005	Melancon et al.	
D412,566 S	8/1999	Taras et al.	D510,151 S	9/2005	Rashidi	
D414,253 S	9/1999	Kobayashi et al.	D510,432 S *	10/2005	Bargiel	D23/370
5,971,847 A	10/1999	Webb	D510,996 S *	10/2005	Vladika	D23/385
D416,315 S	11/1999	Nanjo	D511,379 S	11/2005	Penlesky et al.	
D416,349 S	11/1999	Pahl	D512,503 S *	12/2005	Roland	D23/370
D417,307 S	11/1999	Pahl	D513,072 S	12/2005	Berg	
D418,909 S	1/2000	Mockett	6,979,169 B2	12/2005	Penlesky et al.	
D420,121 S	2/2000	Felix-Flender	D514,221 S	1/2006	Vladika	
6,027,406 A	2/2000	Yazici	D514,732 S	2/2006	Benensohn	
D424,672 S	5/2000	Nanjo	D521,145 S	5/2006	Craw et al.	
D425,974 S	5/2000	Esty et al.	D530,808 S	10/2006	Sinur et al.	
D426,292 S *	6/2000	Nanjo	D531,301 S	10/2006	Sinur et al.	
D426,657 S	6/2000	Joss	D532,095 S	11/2006	Calkins	
D427,009 S	6/2000	Iyengar et al.	D532,247 S	11/2006	Copeland	
D427,303 S	6/2000	Brown	D533,956 S	12/2006	Vladika	
D428,645 S	7/2000	Rossmann et al.	D534,301 S	12/2006	Roland	
D431,075 S	9/2000	Barraclough	D535,431 S	1/2007	Roland	
D433,116 S	10/2000	Han et al.	D535,433 S *	1/2007	Craw	D26/119
D434,126 S	11/2000	Caronna et al.	D535,434 S	1/2007	Fischer et al.	
D435,124 S	12/2000	Yuen	D536,778 S	2/2007	O'Hagin	
D435,705 S	12/2000	Powers et al.	D537,511 S	2/2007	Nagahori	
D436,926 S	1/2001	Lew	D538,422 S	3/2007	Hooijmaaijers	
D437,077 S	1/2001	Minissi et al.	D539,404 S	3/2007	Nagahori	
D437,405 S	2/2001	Schrank	D539,887 S	4/2007	Kato et al.	
D438,328 S	2/2001	Pan	D539,888 S	4/2007	Tsuji	
D438,948 S	3/2001	Schrank	D541,405 S	4/2007	Snyder	
6,227,962 B1	5/2001	Orendorff	7,203,416 B2	4/2007	Craw et al.	
D443,924 S	6/2001	Renella	D541,689 S	5/2007	Meyers et al.	
6,261,175 B1	7/2001	Larson et al.	D541,927 S	5/2007	Yamanaka et al.	
D446,850 S	8/2001	Arlotta et al.	D543,270 S *	5/2007	Miura	D23/385
D448,462 S	9/2001	Nanjo	D544,618 S	6/2007	Coushaine	
D449,680 S	10/2001	Arlotta et al.	D545,487 S	6/2007	Bynum	
D451,187 S	11/2001	Webb	D547,853 S	7/2007	Pilon et al.	
D452,904 S	1/2002	Peng	D550,043 S	7/2007	Brattoli	
D452,905 S	1/2002	Peng	D550,344 S	9/2007	Weggelaar	
D452,906 S	1/2002	Peng	D550,660 S	9/2007	Noro et al.	
D453,375 S	2/2002	Peng	D551,750 S	9/2007	Wefler	
D453,564 S	2/2002	Schrank	D553,235 S	10/2007	Herbst et al.	
D454,391 S	3/2002	Schrank	D553,727 S	10/2007	Kato et al.	
D457,232 S	5/2002	Miura	D553,905 S	10/2007	Orr, Jr.	
			D555,777 S	11/2007	Aveldson	
			D561,887 S	2/2008	Friedman et al.	
			7,328,478 B2	2/2008	Jenkins	
			D563,539 S	3/2008	Sinur et al.	

(56)

References Cited

U.S. PATENT DOCUMENTS

D565,716 S	4/2008	Jacak	
D565,717 S	4/2008	Jacak et al.	
D565,722 S	4/2008	Hollingsworth et al.	
D566,257 S	4/2008	Deng	
D566,262 S	4/2008	Zakula et al.	
D566,912 S	4/2008	Reick-Mitrisin et al.	
D567,352 S	* 4/2008	Hollingsworth	D23/388
D567,353 S	* 4/2008	Hollingsworth	D23/388
D567,354 S	* 4/2008	Jacak	D23/388
D567,355 S	* 4/2008	Zakula	D23/388
D567,434 S	4/2008	Itiravivong	
D567,435 S	4/2008	Kim et al.	
D567,692 S	4/2008	Meyers et al.	
D567,931 S	4/2008	Hollingsworth et al.	
D567,932 S	4/2008	Hollingsworth et al.	
D567,933 S	* 4/2008	Hollingsworth	D23/388
D568,460 S	5/2008	Jacak et al.	
D569,492 S	5/2008	Zakula et al.	
D570,465 S	6/2008	Miyake et al.	
D571,453 S	6/2008	Hsu et al.	
D574,478 S	8/2008	Miyake et al.	
D575,386 S	8/2008	Jacak et al.	
D575,387 S	* 8/2008	Zakula	D23/371
D575,389 S	8/2008	Lazzara	
D577,431 S	* 9/2008	Miyake	D23/385
D577,805 S	9/2008	Adrian et al.	
D578,811 S	10/2008	Gervasi	
D581,508 S	* 11/2008	Miyake	D23/371
D581,516 S	* 11/2008	Koury	D23/412
D581,517 S	* 11/2008	Koury	D23/412
D584,393 S	* 1/2009	Miyake	D23/370
D584,394 S	* 1/2009	Miyake	D23/370
D585,129 S	1/2009	Huang	
D587,797 S	3/2009	Blanchard	
D588,257 S	3/2009	Reedy	
D588,688 S	3/2009	Lablaine	
D589,605 S	3/2009	Reedy et al.	
7,537,647 B2	5/2009	Adair et al.	
D595,402 S	* 6/2009	Miyake	D23/385
D595,830 S	7/2009	Deng	
D601,281 S	9/2009	Howard et al.	
7,581,717 B1	9/2009	Thurkill	
D602,146 S	10/2009	Olesen	
D602,193 S	10/2009	Soderman et al.	
7,596,960 B2	10/2009	Bae	
D604,834 S	11/2009	Ungar	
D606,696 S	12/2009	Chen et al.	
D607,600 S	1/2010	Keith	
D609,321 S	2/2010	Tomasulo	
D609,803 S	2/2010	Ungar	
D609,840 S	2/2010	Tang	
D617,441 S	* 6/2010	Koury	D23/385
D617,889 S	6/2010	Miyake	
D618,782 S	6/2010	Zakula et al.	
D621,491 S	8/2010	Tsuji	
D622,033 S	8/2010	Lambetz	
D626,644 S	11/2010	Jacak et al.	
D628,737 S	12/2010	Van Den Akker	
D629,561 S	12/2010	Kim et al.	
7,850,513 B1	12/2010	Parker et al.	
D631,144 S	1/2011	Tsuji	
D631,188 S	1/2011	Lovegrove	
D632,380 S	2/2011	Kim et al.	
D635,238 S	3/2011	Zakula et al.	
D636,482 S	4/2011	LeMay	
D636,611 S	4/2011	Duma	
D638,925 S	5/2011	Charlebois et al.	
D642,667 S	8/2011	Irwin	
D646,417 S	8/2011	Wauters	
D648,135 S	11/2011	Lee	
D648,471 S	11/2011	Wauters	
D653,323 S	1/2012	Jacak et al.	
D654,998 S	* 2/2012	Zakula	D23/371
D655,403 S	* 3/2012	Zakula	D23/388
D655,804 S	3/2012	Platt	
D655,850 S	3/2012	Sabernig	
D655,855 S	3/2012	Sabernig	
D656,264 S	3/2012	Janssen	
D657,036 S	4/2012	Vetu et al.	
D657,858 S	4/2012	Platt	
D658,603 S	5/2012	Egawa et al.	
D658,604 S	5/2012	Egawa et al.	
D662,648 S	6/2012	Whiting et al.	
D663,880 S	7/2012	Janssen	
D663,881 S	7/2012	Janssen	
D664,369 S	7/2012	Duma	
D665,225 S	8/2012	Zakula et al.	
8,256,241 B2	9/2012	Ikeda et al.	
D672,079 S	12/2012	Kong	
D678,010 S	3/2013	Sudmalis	
D678,497 S	* 3/2013	Tom	D23/328
D678,995 S	3/2013	Hoshino et al.	
D679,046 S	3/2013	Hoshino et al.	
D681,794 S	* 5/2013	Lin	D23/371
D682,455 S	5/2013	Apetauer et al.	
D685,947 S	7/2013	Pyle	
D690,869 S	10/2013	Katz et al.	
D701,952 S	* 4/2014	Hoshino	D23/388
D702,827 S	* 4/2014	Mase	D23/370
D704,318 S	5/2014	Martel	
D705,409 S	5/2014	Hagiwara	
D705,417 S	* 5/2014	Lin	D23/371
D706,404 S	6/2014	Tsuji	
D706,916 S	6/2014	Penlesky et al.	
D709,170 S	7/2014	Tsuji	
D710,000 S	7/2014	Moreno	
D713,952 S	9/2014	Jepson	
8,864,447 B1	10/2014	Humphrey	
D716,772 S	11/2014	Cavero et al.	
D717,933 S	11/2014	McClelland et al.	
D718,086 S	11/2014	Lewis et al.	
D718,434 S	11/2014	Diamond	
D718,762 S	12/2014	Aarrestad et al.	
D720,442 S	12/2014	Kosuge	
D725,624 S	3/2015	Carney et al.	
D728,772 S	5/2015	Santeler et al.	
D730,510 S	5/2015	Schanzenbach	
9,022,846 B1	5/2015	Tom	
9,028,212 B1	5/2015	Tom	
D732,156 S	6/2015	Penlesky et al.	
D733,861 S	7/2015	Haaf et al.	
D733,863 S	7/2015	Funnell, II et al.	
9,103,104 B1	8/2015	Tom	
D738,482 S	9/2015	Lin et al.	
D738,538 S	9/2015	Lillejord	
D739,928 S	9/2015	Raisanen	
D739,977 S	9/2015	Boyer et al.	
9,131,814 B2	9/2015	Nakamura	
D741,463 S	10/2015	Hauville et al.	
D741,648 S	10/2015	Wahl	
D742,494 S	11/2015	Kouketsu et al.	
D743,520 S	11/2015	Sinur et al.	
9,182,138 B2	11/2015	Foreman et al.	
9,188,132 B1	11/2015	Tom	
D744,628 S	12/2015	Alexander	
D745,652 S	12/2015	Berkman et al.	
D746,424 S	12/2015	Takahashi et al.	
D746,427 S	12/2015	Mecker	
9,212,668 B2	12/2015	Deng et al.	
D747,141 S	1/2016	Wahl	
D747,576 S	1/2016	Fjellman	
D751,189 S	3/2016	Suzuki et al.	
D751,247 S	3/2016	Reynolds	
D752,201 S	3/2016	Herbst	
D753,869 S	4/2016	Prijic	
D754,319 S	4/2016	Park et al.	
9,303,859 B2	4/2016	Horng et al.	
9,303,888 B2	4/2016	Karst et al.	
D755,942 S	5/2016	Kim	
D759,800 S	6/2016	Adrian et al.	
D771,231 S	* 11/2016	Chen	D23/388
D778,424 S	* 2/2017	Jonas	D23/388
D778,425 S	* 2/2017	Jonas	D23/388
D779,050 S	* 2/2017	Jonas	D23/388

(56)

References Cited

U.S. PATENT DOCUMENTS

D784,511	S	4/2017	Jonas et al.	
D784,512	S	4/2017	Jonas et al.	
D799,677	S	10/2017	Jonas et al.	
D799,678	S *	10/2017	Jonas	D23/385
D799,679	S	10/2017	Jonas et al.	
D800,295	S	10/2017	Jonas et al.	
D800,892	S	10/2017	Jonas et al.	
D815,724	S	4/2018	Jonas et al.	
D816,206	S	4/2018	Jonas et al.	
D822,821	S	7/2018	Jonas et al.	
D837,966	S *	1/2019	Adrian	F24F 7/06 D23/412
D842,449	S	3/2019	Chang et al.	
2003/0220069	A1	11/2003	Orendorff	
2005/0095979	A1	5/2005	Moreno	
2005/0111840	A1	5/2005	Craw et al.	
2007/0167128	A1	7/2007	Popowitz	
2009/0130970	A1	5/2009	Jacak et al.	
2009/0170421	A1	7/2009	Adrian et al.	
2009/0280737	A1	11/2009	Jacak et al.	
2012/0087132	A1	4/2012	Zakula et al.	
2013/0088855	A1 *	4/2013	Ye	F24F 13/078 362/96
2014/0063796	A1 *	3/2014	Zakula	F24F 13/078 362/231
2015/0117034	A1 *	4/2015	Hornig	F24F 13/078 362/373
2015/0125292	A1 *	5/2015	Karst	F04D 25/166 415/213.1
2015/0140923	A1	5/2015	Penlesky	
2015/0219118	A1	8/2015	Zakula et al.	
2016/0029109	A1	1/2016	Liu et al.	
2016/0069561	A1 *	3/2016	Jonas	F21V 29/83 362/96

FOREIGN PATENT DOCUMENTS

CA	108557	1/2006
CA	2636643	12/2012
CA	163015	5/2016
CA	163016	5/2016
CA	163017	5/2016
CA	163018	5/2016
CN	303580220	2/2016
CN	303580221	2/2016
CN	303580222	2/2016
CN	303580223	2/2016
CN	303580224	2/2016
EP	1248048	10/2002
FR	1234767	10/1960

OTHER PUBLICATIONS

Thomas Lighting Catalog .COPYRGT.1980, p. 145, Ceiling Lamp #R213, and p. 149, Fan-Light Unit #T342.

Thomas Industries Starlight Lighting Catalog. COPYRGT.1982, p. 61, Combined Fan-Light Heater T-305.

Emerson Environmental Products, Whole House Fan and Shutter System Owners Manual, Dec. 1982.

Photographs of Panasonic Ventilating Fan, Model FV-11.VHL1, available prior to Jan. 2, 2008, 3 pages.

Spartan Electric Company, Direct Drive Whole House Fans Publication, available prior to Jan. 2, 2008.

“Direct Drive Whole House Fans Publication”, Spartan Electric Company, Fayetteville, N.C., (Feb. 4, 2008), 4 pgs.

“Whole House Fan and Shutter System Owners Manual”, Emerson Environmental Products, Model No. WH20WS, Bennettsville, S. C., (Feb. 4, 2008), 12 pgs.

““Whirlpool 30”” and 36”” Range Hood Models UXT3030AY/ UXT3036AY””, Installation Instructions and Use & Care Guide, [online] Retrieved from the Internet:<http://www.whirlpool.ca/digitalassets/UXT3030AYB/Use%20and%20Care_EN.pdf>, (2011),28 pgs.

““Maytag 30 in. Non-Vented Range Hood in Stainless Steel””, Model# UXT4030AYS, Home Depot, [online] [retrieved on Sep. 23, 2013]. Retrieved from the Internet<http://www.homedepot.com/p/Maytag-30-in-Non-Vented-Range-Hood-in-Stainless-Steel-UXT4030AYS/202832999#customer_reviews>, (Jul. 9, 2011), 5 pgs.

“Finnleo Steam Sauna Ventilation Wood grill”, [Online]. Retrieved from the Internet: <<https://www.tineye.com/search/8ff8db465e46f58bcad482160583c-b539dc23fa4/>>, (Jun. 6, 2012).

“U.S. Appl. No. 11/968,250, Non Final Office Action dated Sep. 20, 2012”, 21 pgs.

“U.S. Appl. No. 11/968,250, Response filed Dec. 20, 2012 to Non Final Office Action dated Sep. 20, 2012”, 26 pgs.

“U.S. Appl. No. 11/968,250, Final Office Action dated Mar. 26, 2013”, 20 pgs.

“U.S. Appl. No. 11/968,250, Response filed May 24, 2013 to Final Office Action dated Mar. 26, 2013”, 34 pgs.

“U.S. Appl. No. 11/968,250, Advisory Action dated Jun. 24, 2013”, 3 pgs.

“U.S. Appl. No. 11/968,250, Non Final Office Action dated Aug. 22, 2013”, 18 pgs.

“U.S. Appl. No. 29/458,592, Non Final Office Action dated Sep. 27, 2013”, 7 pgs.

“U.S. Appl. No. 11/968,250, Response filed Nov. 8, 2013 to Non Final Office Action dated Aug. 22, 2013”, 23 pgs.

Grille Images, image post date Nov. 23, 2013, site visited May 14, 2016, (online), <<https://www.tineye.com/search/ea95b48bdc1f5b6d68e4fbc33c-0e4e7566460/>>.

“U.S. Appl. No. 29/458,592, Response filed Dec. 27, 2013 to Non Final Office Action dated Sep. 27, 2013”, 8 pgs.

“U.S. Appl. No. 11/968,250, Final Office Action dated Jan. 22, 2014”, 18 pgs.

“U.S. Appl. No. 29/458,592, Notice of Allowance dated Mar. 4, 2014”, 6 pgs.

Napoleon Prestige Pro 450—Natural Gas, image post date Apr. 5, 2014, site visited May 15, 2016, (online), <<http://web.archive.org/web/20140405111728/http://www.bbqworld.co.uk/napoleon/napoleon-prestige-pro-450-natural-gas.asp>>.

“Ultra Green series”, [Online]. Retrieved from the Internet: <<http://web.archive.org/web/20140416053348/http://www.broan.com/products/filter/ultra-406c-abf1-ed72241eb706>>, (Apr. 16, 2014).

“Airvent 435103 Kitchen Extractor Fan”, [Online]. Retrieved from the Internet: <<https://www.amazon.co.uk/Airvent-435103-Kitchen-Extractor-1-50mm/dp/B0085TQ75U/ref=pd.sub.--cp.sub.--107.sub.--3?ie=UTF8&refRID=1XMRP1-Q1QR5H6NZ1MR7C>>, (May 14, 2014).

“U.S. Appl. No. 11/968,250, Response filed May 22, 2014 to Final Office Action dated Jan. 22, 2014”, 12 pgs.

“U.S. Appl. No. 11/968,250, Non Final Office Action dated Jun. 19, 2014”, 18 pgs.

“U.S. Appl. No. 11/968,250, Response filed Sep. 19, 2014 to Non Final Office Action dated Jun. 19, 2014”, 11 pgs.

Air Vent Grille Cover, image post date Nov. 9, 2014, site visited May 14, 2016, (online), <<https://www.tineye.com/search/232b8f674998285163e7a3de47a03ed0ef9b1dc-6/>>.

GDL Air Distribution Grilles, image post date Nov. 23, 2014, site visited May 14, 2016, (online). <<https://www.tineye.com/search/d0efdc23f3887albdc58adaa3fef15c33f2b486-b/>>.

“U.S. Appl. No. 11/968,250, Final Office Action dated Nov. 26, 2014”, 20 pgs.

“Manrose FF100P Bathroom Fan”, [Online]. Retrieved from the Internet: <<https://www.tineye.com/search/63988ff8b950dad9cb1aac51119050bdd00cf2-1/?pluginver=>>, (Dec. 12, 2014).

“U.S. Appl. No. 29/458,589, Restriction Requirement dated Apr. 9, 2015”, 7 pgs.

“U.S. Appl. No. 29/458,589, Response filed Apr. 27, 2015 to Restriction Requirement mailed Apr. 9, 2015”, 4 pgs.

(56)

References Cited

OTHER PUBLICATIONS

“Canadian Application Serial No. 163,017, Office Action dated Nov. 9, 2015”, 3 pgs.
 “Canadian Application Serial No. 163,018, Office Action dated Nov. 9, 2015”, 2 pgs.
 “Canadian Application Serial No. 163,019, Office Action dated Nov. 9, 2015”, 2 pgs.
 “Canadian Application Serial No. 163,015, Office Action dated Nov. 10, 2015”, 5 pgs.
 “Canadian Application Serial No. 163,016, Office Action dated Nov. 10, 2015”, 3 pgs.
 “U.S. Appl. No. 29/521,663, Restriction Requirement dated Dec. 3, 2015”, 6 pgs.
 “U.S. Appl. No. 29/521,663, Response filed Feb. 2, 2016 to Restriction Requirement dated Dec. 3, 2015”, 3 pgs.
 U.S. Appl. No. 29/521,663, Notice of Allowance dated Feb. 12, 2016, 7 pgs.
 “Canadian Application Serial No. 165,307, Office Action dated Feb. 15, 2016” W/ English Translation, 2 pgs.
 “Canadian Application Serial No. 165,355, Office Action dated Feb. 15, 2016”, 2 pgs.
 “Canadian Application Serial No. 165,366, Office Action dated Feb. 15, 2016”, with English Translation, 2 pgs.
 “Canadian Application Serial No. 163,017, Response filed Mar. 9, 2016 to Office Action dated Nov. 9, 2015”, 8 pgs.
 “Canadian Application Serial No. 163,018, Response filed Mar. 9, 2016 to Office Action dated Nov. 9, 2015”, 7 pgs.
 “Canadian Application Serial No. 163,019, Response filed Mar. 9, 2016 to Office Action dated Nov. 9, 2015”, 7 pgs.
 “Canadian Application Serial No. 163,015, Response filed Mar. 10, 2016 to Office Action dated Nov. 10, 2015”, 7 pgs.
 “U.S. Appl. No. 29/521,663, Corrected Notice of Allowance dated Mar. 30, 2016”, 4 pgs.
 “U.S. Appl. No. 29/514,061, Non Final Office Action dated May 19, 2016”, 19 pgs.
 “U.S. Appl. No. 29/514,063, Non Final Office Action dated May 19, 2016”, 22 pgs.
 “U.S. Appl. No. 29/514,067, Non Final Office Action dated May 20, 2016”, 21 pgs.
 “U.S. Appl. No. 29/514,073, Non Final Office Action dated May 20, 2016”, 21 pgs.
 “U.S. Appl. No. 29/514,070, Non Final Office Action dated May 27, 2016”, 26 pgs.
 “Chinese Application Serial No. 201630055109.5, Office Action dated Jun. 1, 2016”, 1 pg.
 “Canadian Application Serial No. 165,307, Response filed Jun. 15, 2016 to Office Action dated Feb. 15, 2016”, 9 pgs.
 “Canadian Application Serial No. 165,355, Response filed Jun. 15, 2016 to Office Action dated Feb. 15, 2016”, 6 pgs.
 “Canadian Application Serial No. 165,366, Response filed Jun. 15, 2016 to Office Action dated Feb. 15, 2016”, 18 pgs.
 “Canadian Application Serial No. 167,117, Office Action dated Jul. 14, 2016”, 3 pgs.
 “U.S. Appl. No. 29/514,061, Response filed Aug. 17, 2016 to Non Final Office Action dated May 19, 2016”, 6 pgs.
 “U.S. Appl. No. 29/514,063, Response filed Aug. 17, 2016 to Non Final Office Action dated May 19, 2016”, 8 pgs.
 “U.S. Appl. No. 29/514,067, Response filed Aug. 22, 2016 to Non Final Office Action dated May 20, 2016”, 6 pgs.

“U.S. Appl. No. 29/514,073, Response filed Aug. 22, 2016 to Non Final Office Action dated May 20, 2016”, 6 pgs.
 “U.S. Appl. No. 29/514,970, Response filed Aug. 29, 2016 to Non Final Office Action dated May 27, 2016”, 6 pgs.
 “U.S. Appl. No. 29/538,019, Restriction Requirement dated Sep. 1, 2016”, 7 pgs.
 “Chinese Application Serial No. 201630055109.5, Response filed Sep. 18, 2016 to Office Action dated Jun. 1, 2016”, 5 pgs.
 “U.S. Appl. No. 29/514,061, Final Office Action dated Sep. 19, 2016”, 9 pgs.
 “U.S. Appl. No. 29/514,073, Notice of Allowance dated Sep. 19, 2016”, 8 pgs.
 “U.S. Appl. No. 29/514,067, Notice of Allowance dated Sep. 20, 2016”, 9 pgs.
 “U.S. Appl. No. 29/514,070, Notice of Allowance dated Sep. 21, 2016”, 6 pgs.
 “Canadian Application Serial No. 165,355, Response filed Sep. 22, 2016 to Office Action dated Jun. 28, 2016”, 2 pgs.
 “U.S. Appl. No. 29/514,070, Corrected Notice of Allowance dated Oct. 5, 2016”, 2 pgs.
 “U.S. Appl. No. 29/514,073, Corrected Notice of Allowance dated Oct. 5, 2016”. 2 pgs.
 “U.S. Appl. No. 29/538,019, Examiner Interview Summary dated Oct. 11, 2016”, 7 pgs.
 “U.S. Appl. No. 29/514,063, Response Filed Oct. 24, 2016 to Non-Final Office Action dated May 19, 2016”, 8 pgs.
 “Canadian Application Serial No. 169,274, Office Action dated Oct. 25, 2016”, 2 pgs.
 “Canadian Application Serial No. 169,275, Office Action dated Oct. 25, 2016”, 2 pgs.
 “U.S. Appl. No. 29/538,019, Response filed Nov. 1, 2016 to Restriction Requirement dated Sep. 1, 2016”, 4 pgs.
 “Canadian Application Serial No. 167, 117, Response filed Nov. 3, 2016 to Office Action dated Jul. 14, 2016”, 10 pgs.
 “U.S. Appl. No. 29/514,061, Response Filed Nov. 21, 2016 Final Office Action dated Sep. 19, 2016”, 16 pgs.
 “U.S. Appl. No. 29/538,019, Notice of Allowance dated Nov. 23, 2016”, 9 pgs.
 “U.S. Appl. No. 29/539,396, Notice of Allowance dated Feb. 27, 2017”, 9 pgs.
 “U.S. Appl. No. 29/539,401, Notice of Allowance dated Feb. 27, 2017”, 8 pgs.
 “U.S. Appl. No. 29/539,391, Notice of Allowance dated Mar. 1, 2017”, 8 pgs.
 “U.S. Appl. No. 29/539,405, Notice of Allowance dated Mar. 1, 2017”, 9 pgs.
 “U.S. Appl. No. 29/539,409, Notice of Allowance dated Mar. 2, 2017”, 8 pgs.
 “U.S. Appl. No. 29/539,392, Notice of Allowance dated Mar. 3, 2017”, 8 pgs.
 “U.S. Appl. No. 29/539,415, Notice of Allowance dated Mar. 9, 2017”, 8 pgs.
 “U.S. Appl. No. 29/539,414, Notice of Allowance dated Mar. 13, 2017”, 8 pgs.
 “Broan QTX110SL Media Gallery, Broan QTX110SL Combintation Fan, Light, Night-Light, 110 CFM, 0.9 Sones, Humidity Sensing, VENTINGDIRECT.COM, p. 1.”
 NuTone 791LEDNT Fan/Light.

* cited by examiner

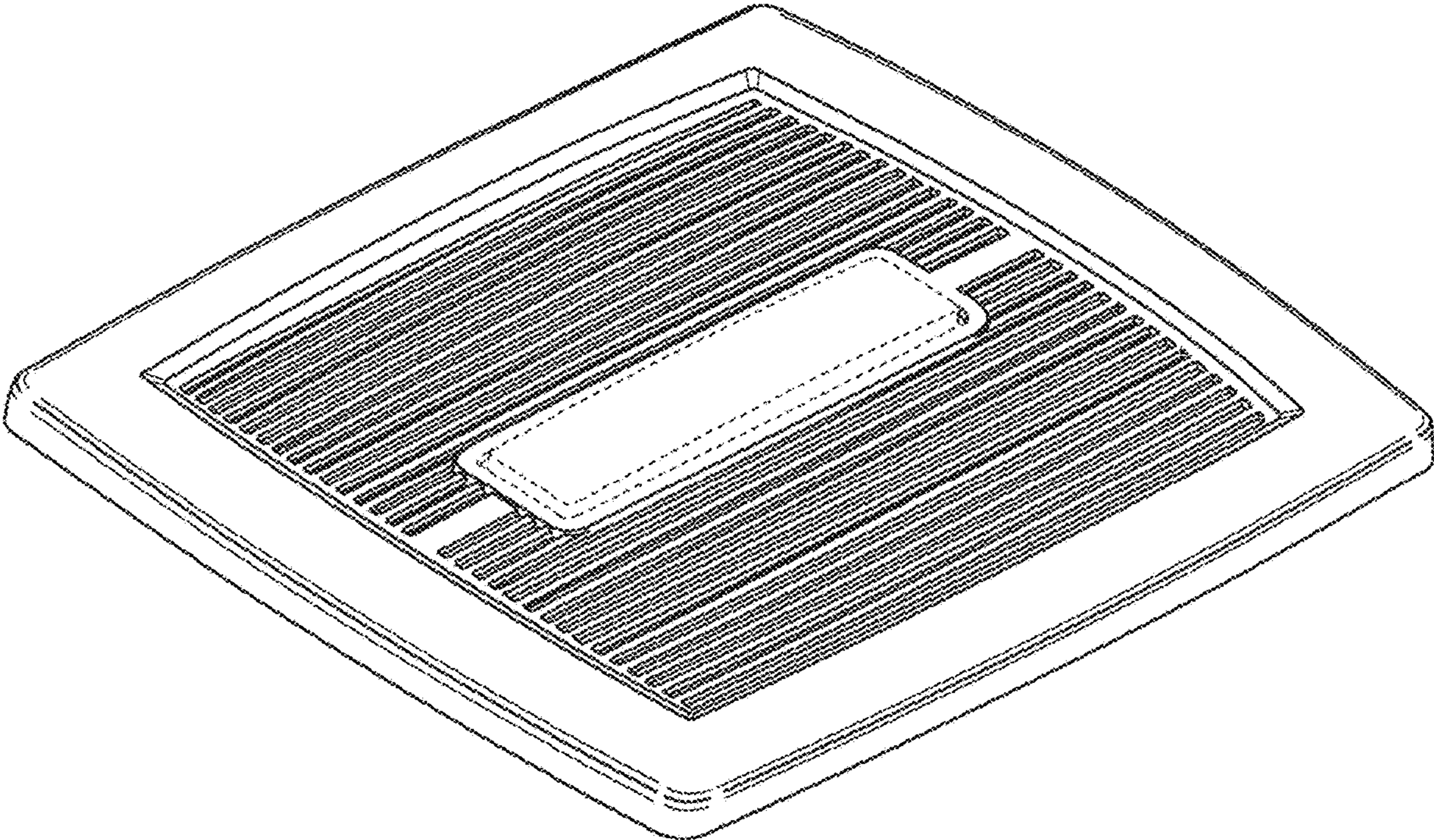


FIG. 1

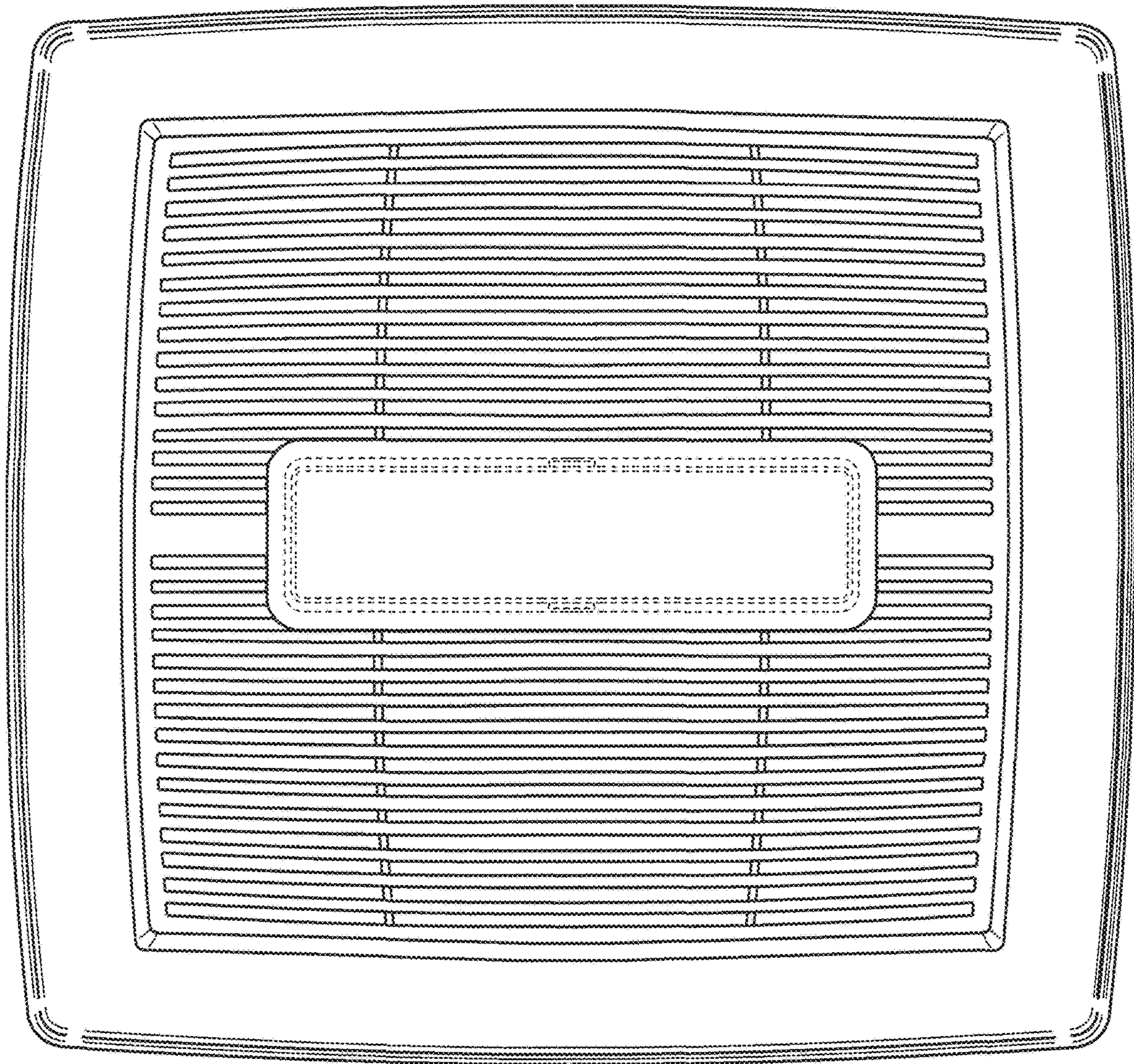


FIG. 2

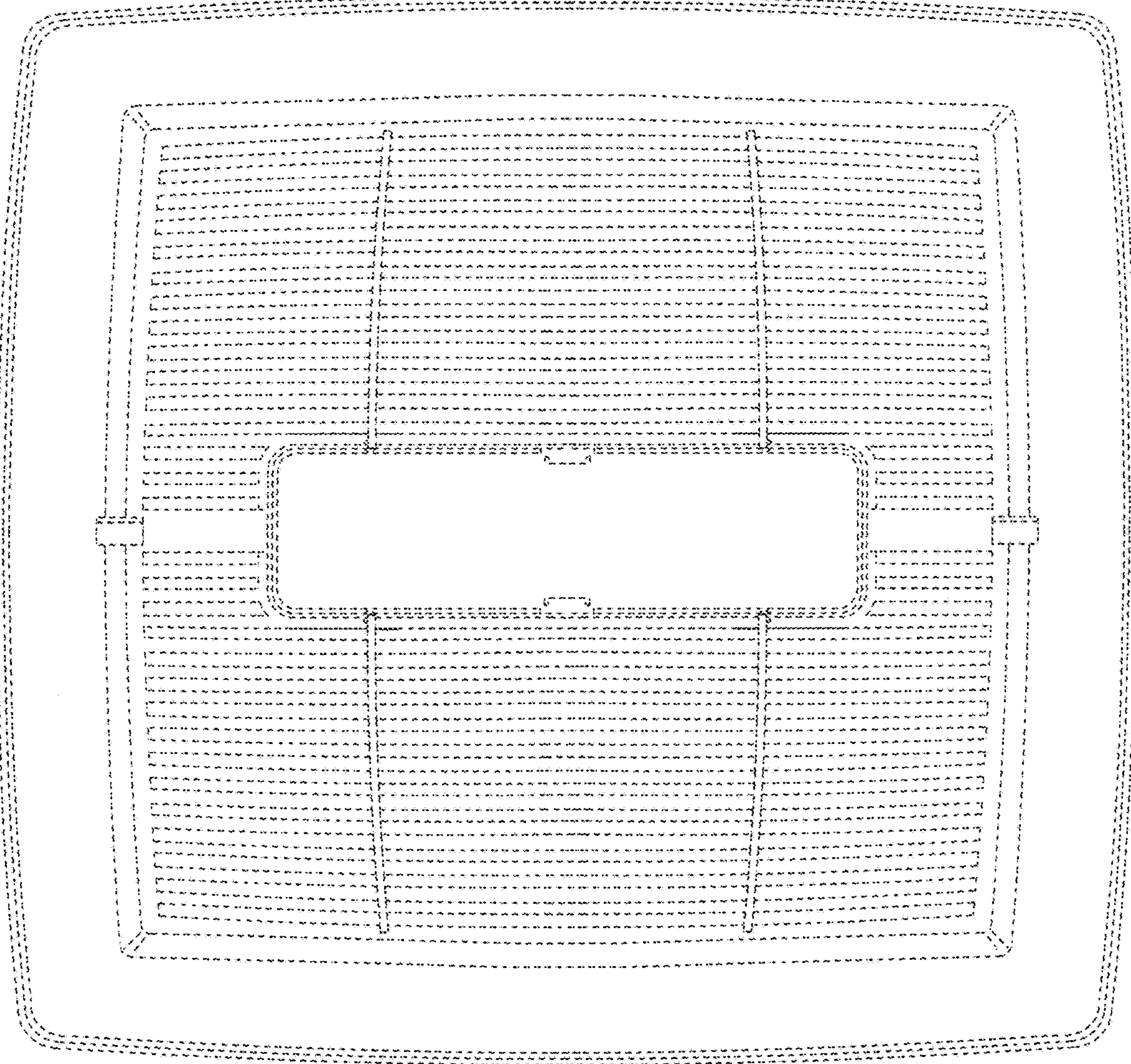


FIG. 3

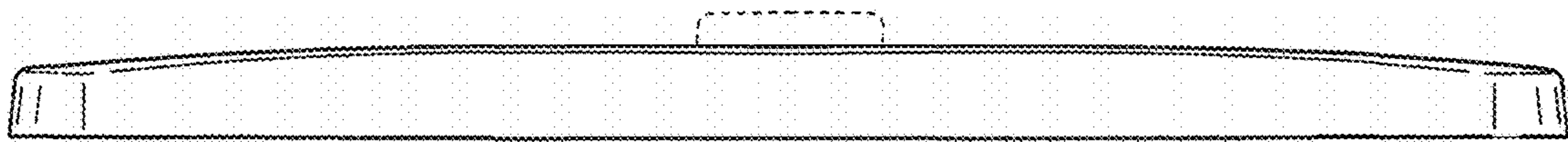


FIG. 4

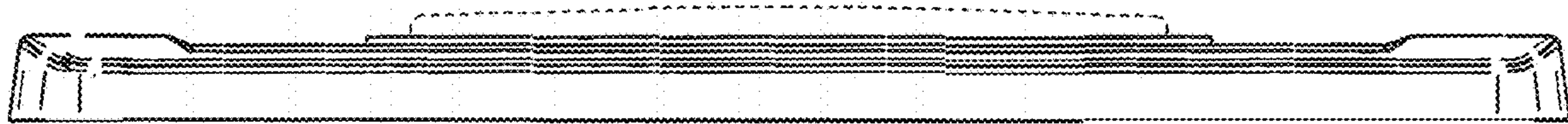


FIG. 5