



US00D883466S

(12) **United States Design Patent**
Ying

(10) **Patent No.:** **US D883,466 S**

(45) **Date of Patent:** **** May 5, 2020**

(54) **BLADELESS FAN**

(71) Applicant: **Hui Ying**, Zhejiang (CN)

(72) Inventor: **Hui Ying**, Zhejiang (CN)

(**) Term: **15 Years**

(21) Appl. No.: **29/625,351**

(22) Filed: **Nov. 9, 2017**

(30) **Foreign Application Priority Data**

Sep. 12, 2017 (CN) 2017 3 0451373

(51) **LOC (12) Cl.** **23-04**

(52) **U.S. Cl.**
USPC **D23/378**

(58) **Field of Classification Search**
USPC D23/314, 317, 324, 328, 332–337, 342,
D23/351, 352, 355, 356, 359, 362, 364,
D23/370–376, 378, 379, 381–385,
D23/411–414, 366
CPC F04D 25/08; F04D 29/38; F04D 29/384;
F04D 29/386
See application file for complete search history.

(56) **References Cited**

U.S. PATENT DOCUMENTS

D45,439 S *	3/1914	Vermilye et al.	D23/334
D225,056 S *	11/1972	Brooks et al.	D23/335
D244,450 S *	5/1977	Taylor 34/98	
D394,103 S *	5/1998	Lee D23/377	
D451,988 S *	12/2001	Ashton D23/328	
D640,403 S *	6/2011	Kristiansen D26/61	
D669,974 S *	10/2012	McNeal D23/314	
8,469,660 B2 *	6/2013	Dyson F04F 5/16	
			415/208.1
D688,360 S *	8/2013	Paz D23/314	
D699,336 S *	2/2014	Girard D23/370	

D729,377 S *	5/2015	Chen D23/378
D737,060 S *	8/2015	Yang D6/309
D744,630 S *	12/2015	Ying D23/378

(Continued)

OTHER PUBLICATIONS

Panasonic Unveils New Ultra Slim “Year-Round” Room Fan, date posted Mar. 12, 2013, site visited Mar. 28, 2019, Available from Internet, <<https://soraneews24.com/2013/03/12/panasonic-unveils-new-ultra-slim-year-round-room-fan/>>.*

Primary Examiner — Cathron C Brooks

Assistant Examiner — Sharon S Oum

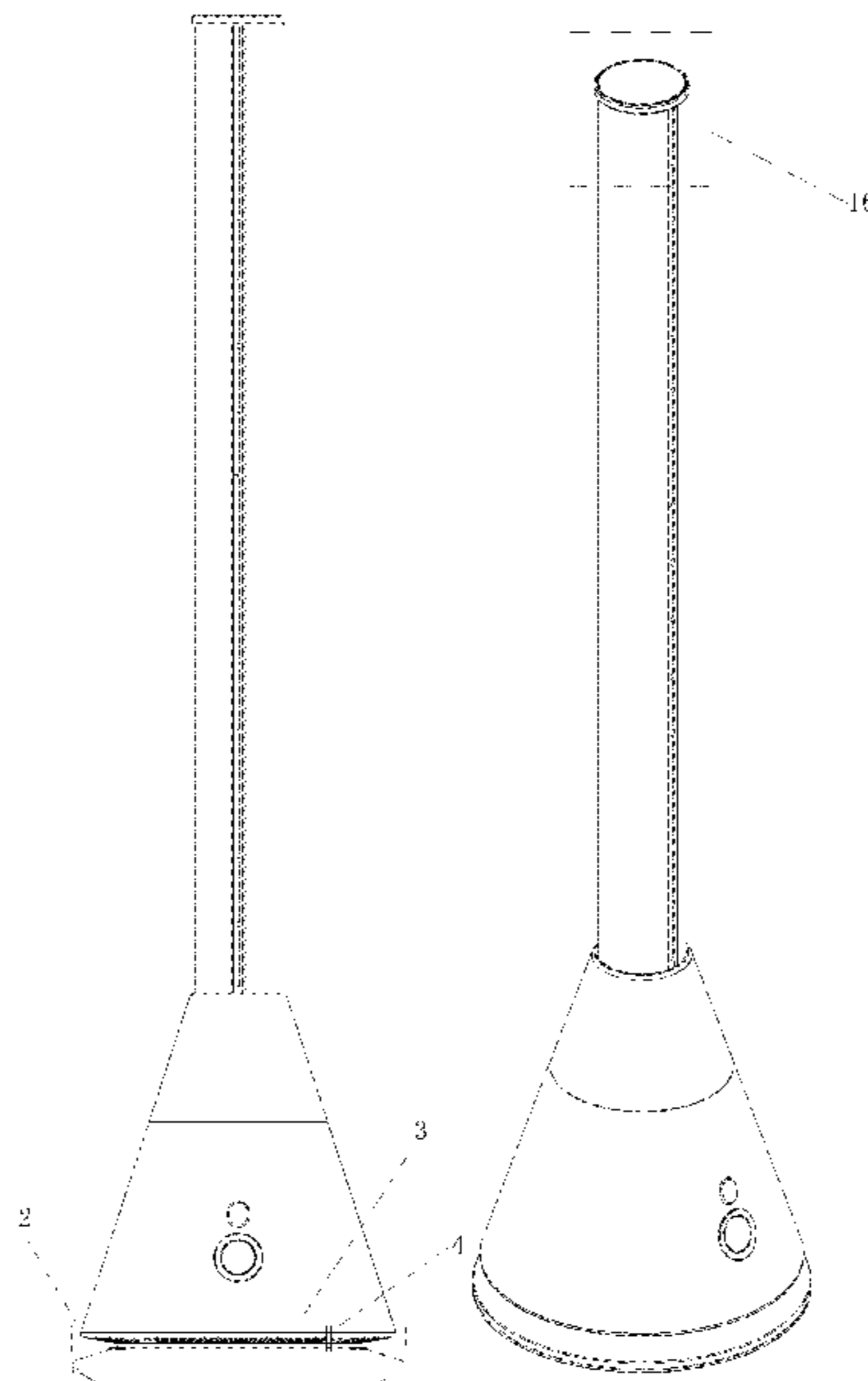
(57) **CLAIM**

The ornamental design for a bladeless fan, as shown and described.

DESCRIPTION

FIG. 1 is a front elevational view of a bladeless fan showing my new design;
FIG. 2 is an enlarged view of portion 2 shown in FIG. 1;
FIG. 3 is an enlarged view of portion 3 shown in FIG. 1;
FIG. 4 is an enlarged view of portion 4 shown in FIG. 1;
FIG. 5 is a rear elevational view thereof;
FIG. 6 is a left side view thereof;
FIG. 7 is a right side view thereof;
FIG. 8 is a top plan view in enlarge scale thereof;
FIG. 9 is a bottom plan view in enlarge scale thereof;
FIG. 10 is a perspective view thereof;
FIG. 11 is a second perspective view thereof;
FIG. 12 is a third perspective view thereof;
FIG. 13 is an enlarged view of portion 13 shown in FIG. 12;
FIG. 14 is an enlarged view of portion 14 shown in FIG. 13;
FIG. 15 is an enlarged view of portion 15 shown in FIG. 13; and,
FIG. 16 is an enlarged view of portion 16 shown in FIG. 10.
The broken lines illustrate portions of the bladeless fan and form no part of the claimed design.

1 Claim, 12 Drawing Sheets



(56)

References Cited

U.S. PATENT DOCUMENTS

D799,014 S *	10/2017	Suarez	D23/332
D802,740 S *	11/2017	Kim	D23/378
D809,120 S *	1/2018	Shin	D23/378
D812,209 S *	3/2018	Farone	D23/355
D817,467 S *	5/2018	Shin	D23/364
D818,168 S *	5/2018	Chang	D26/59
D838,273 S *	1/2019	Memke	D14/426
2006/0172682 A1 *	8/2006	Orr	F04D 17/04 454/152

* cited by examiner

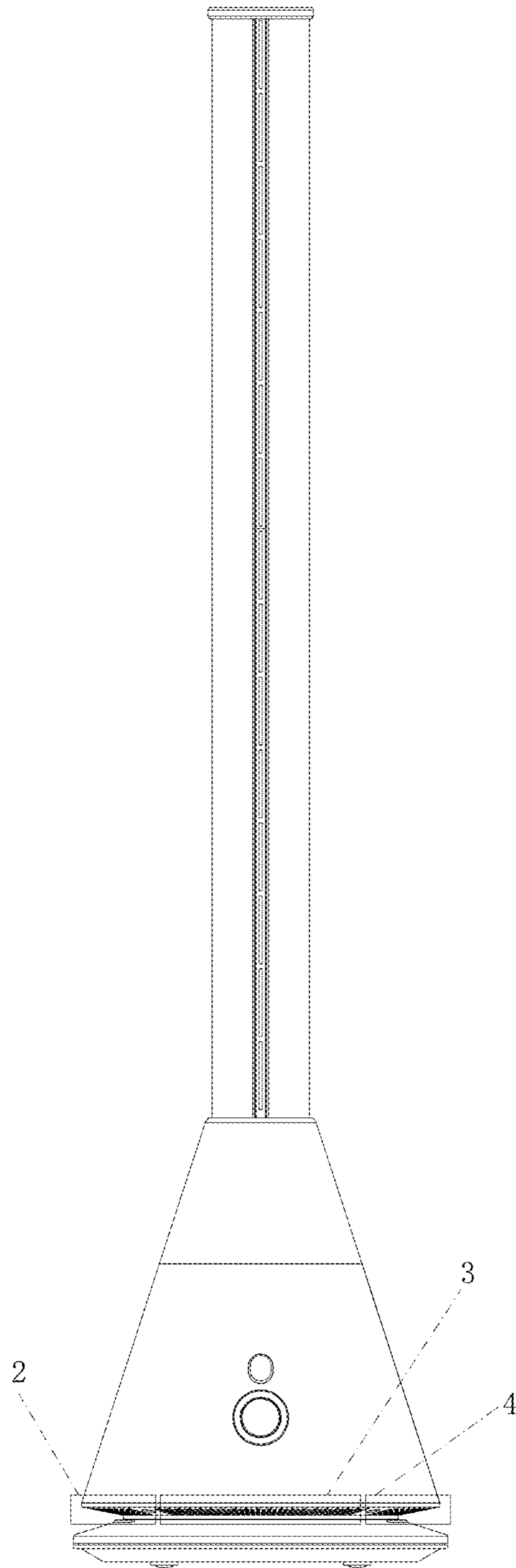


FIG. 1

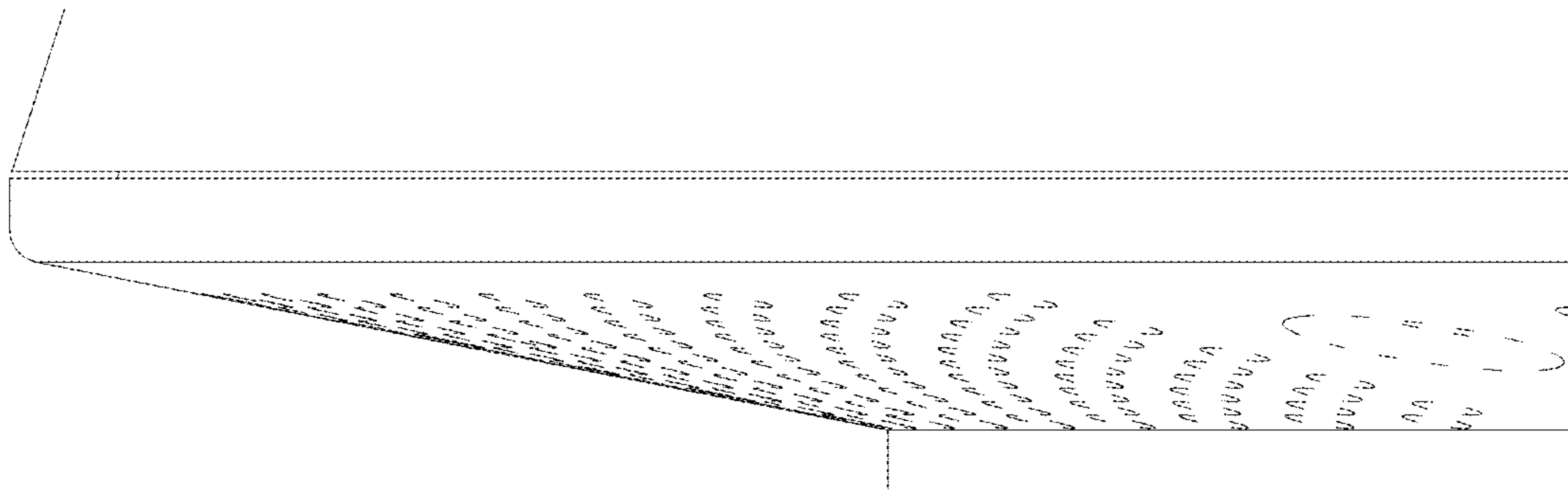


FIG. 2

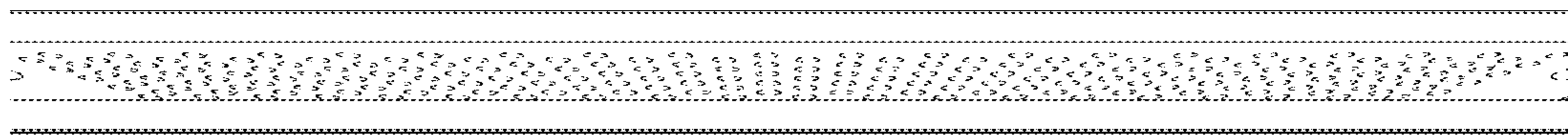


FIG. 3

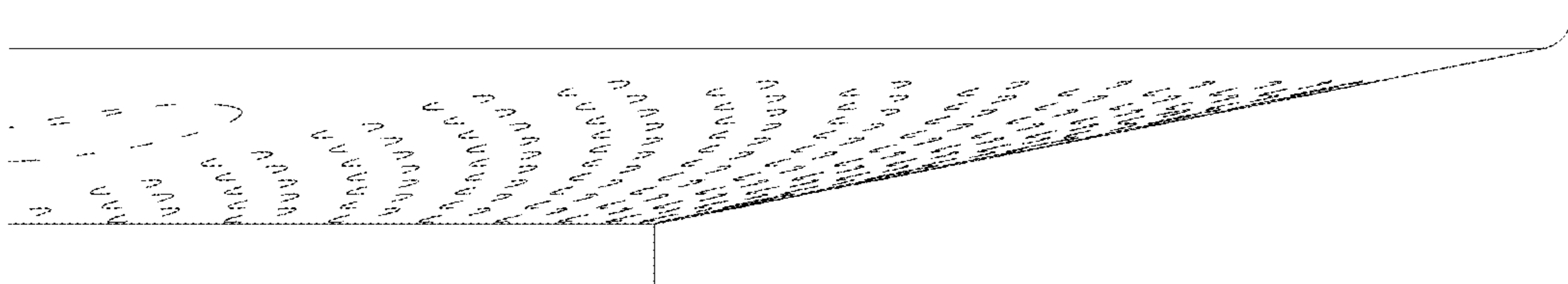


FIG. 4

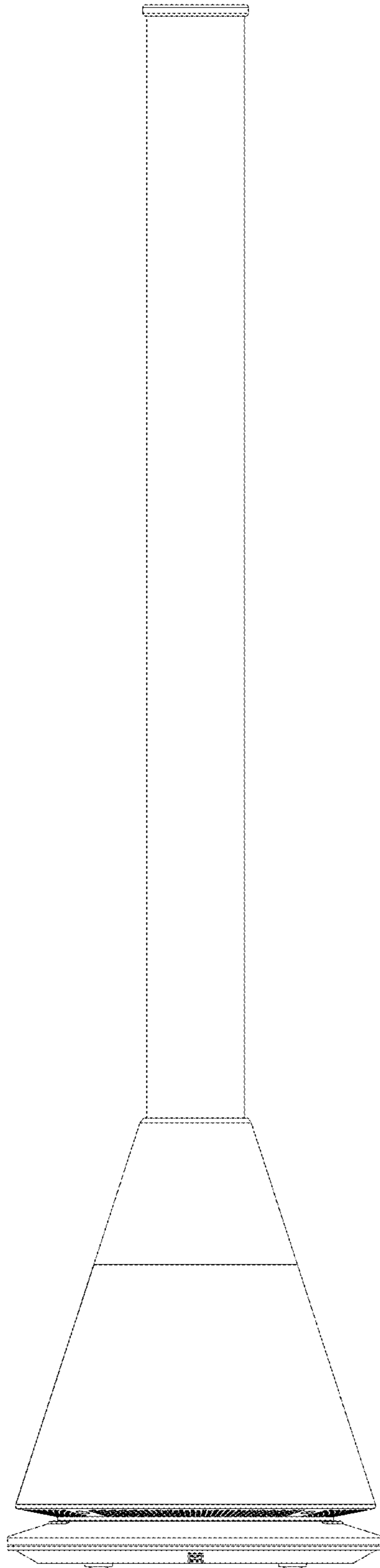


FIG. 5

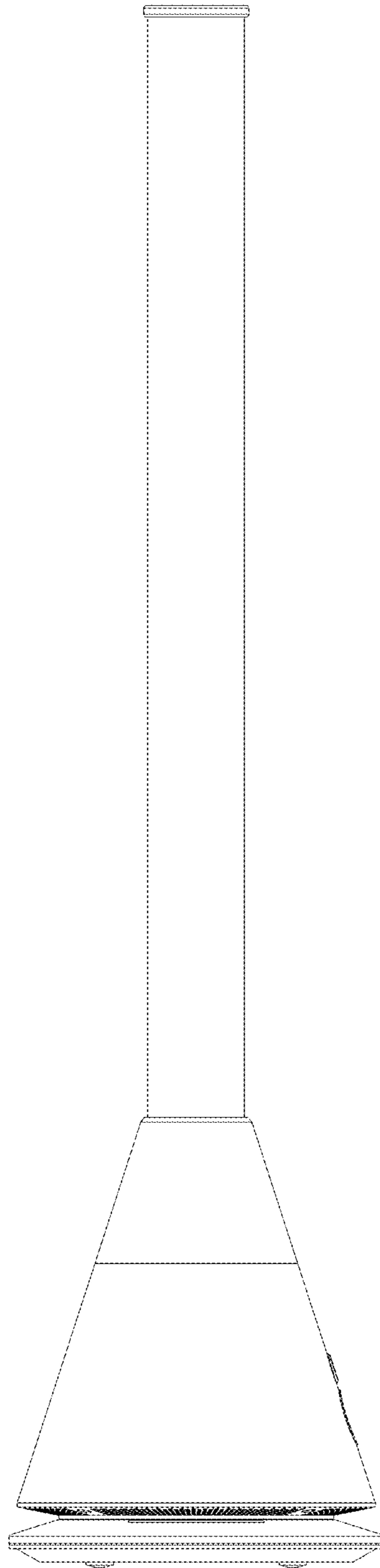


FIG. 6

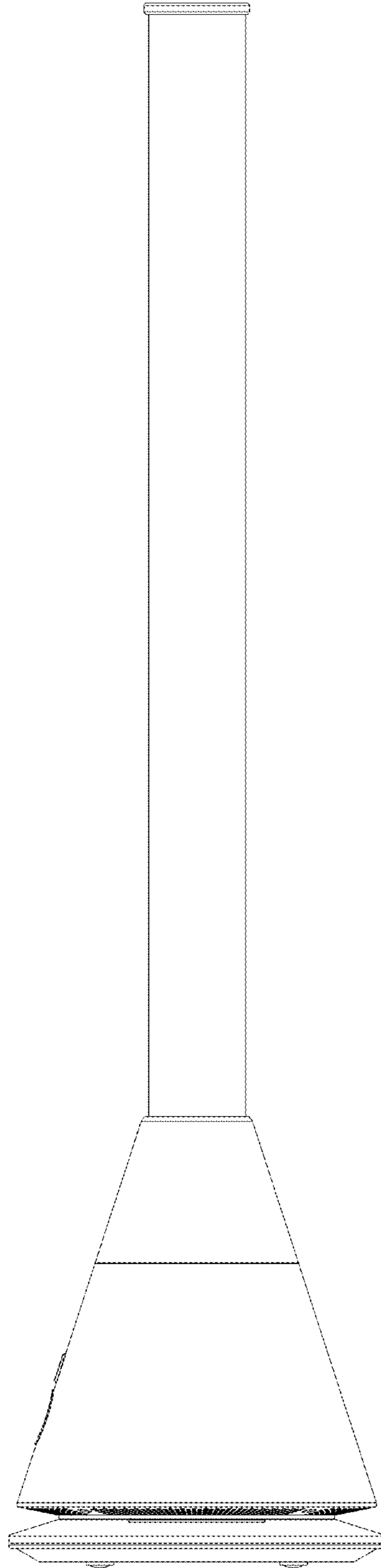


FIG. 7

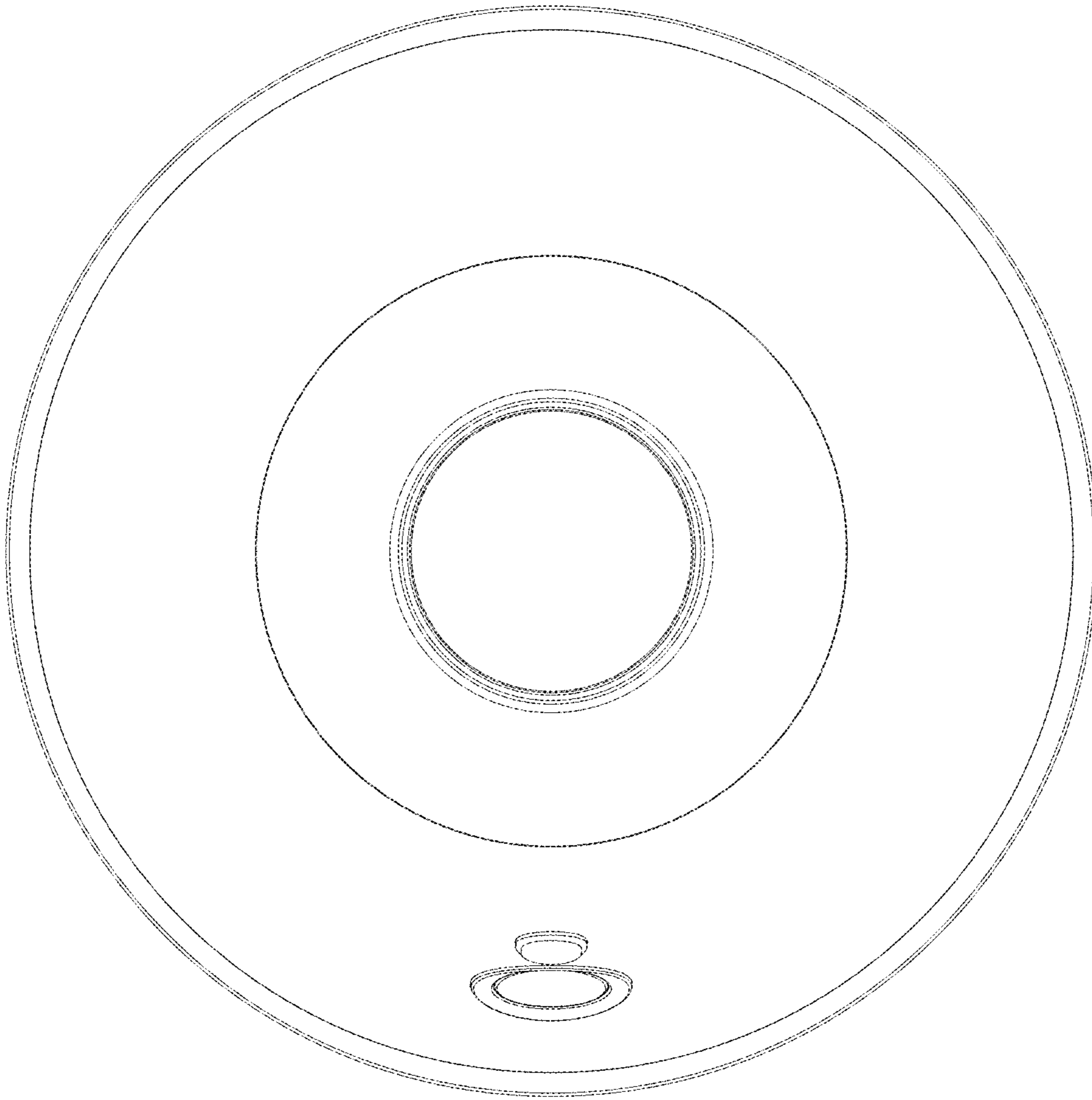


FIG. 8

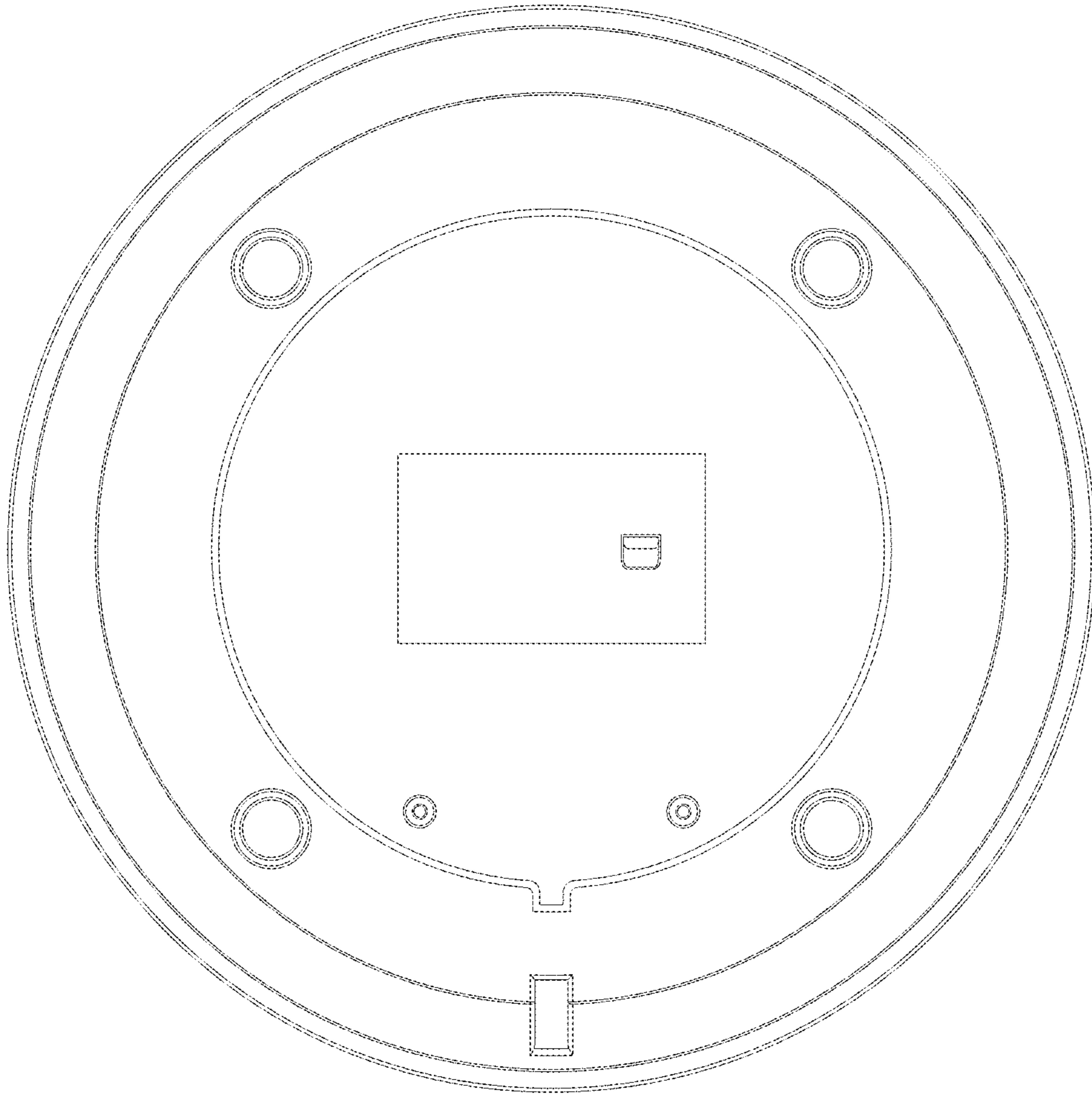


FIG. 9

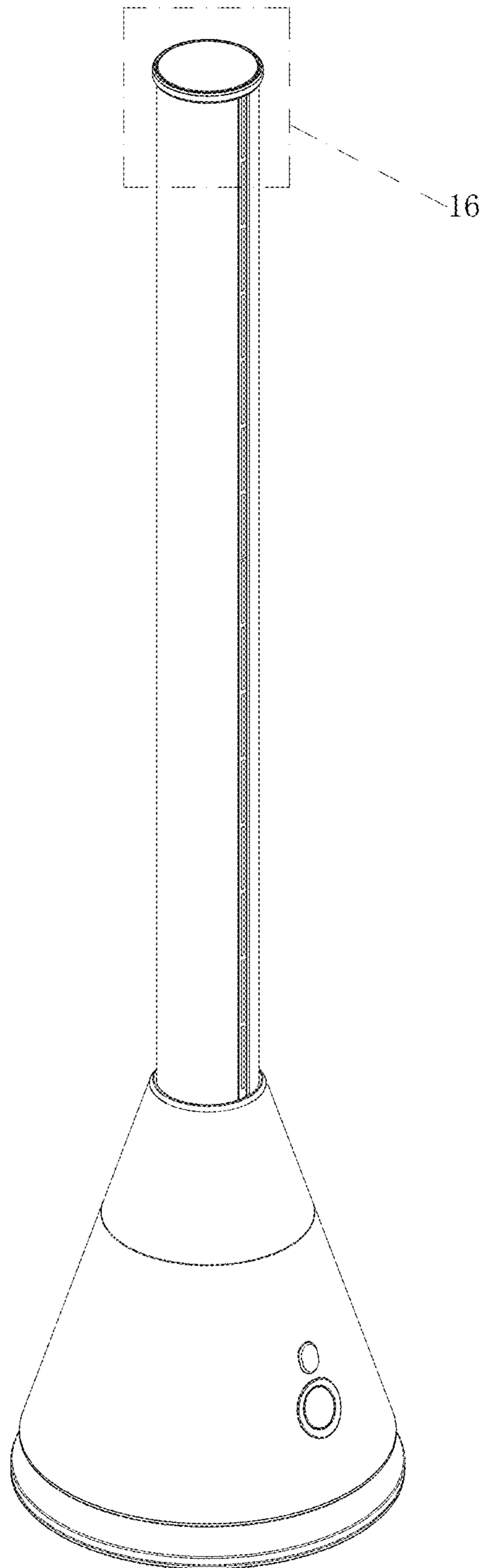


FIG. 10

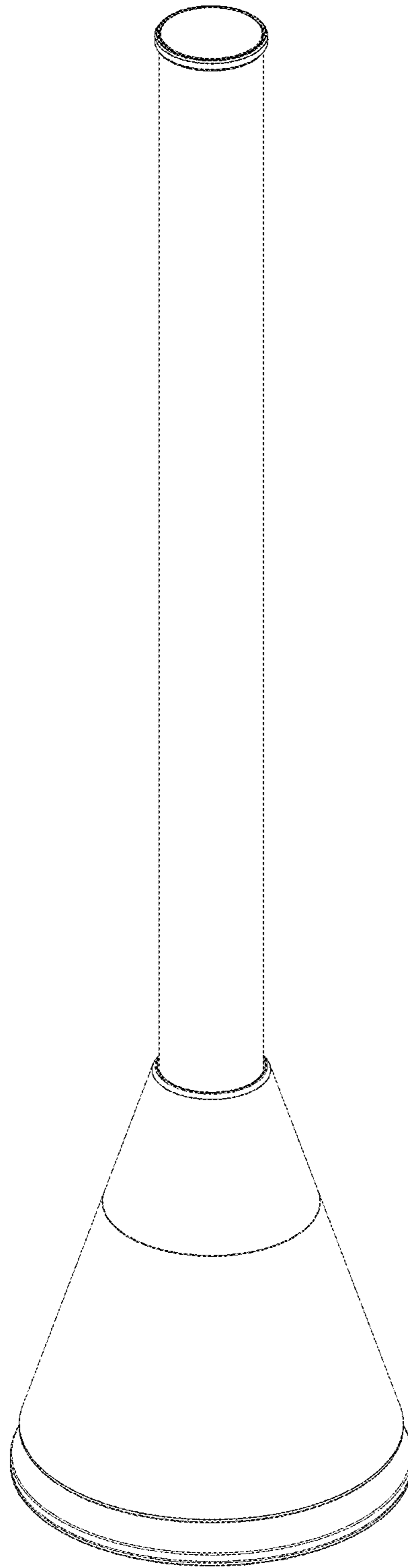


FIG. 11

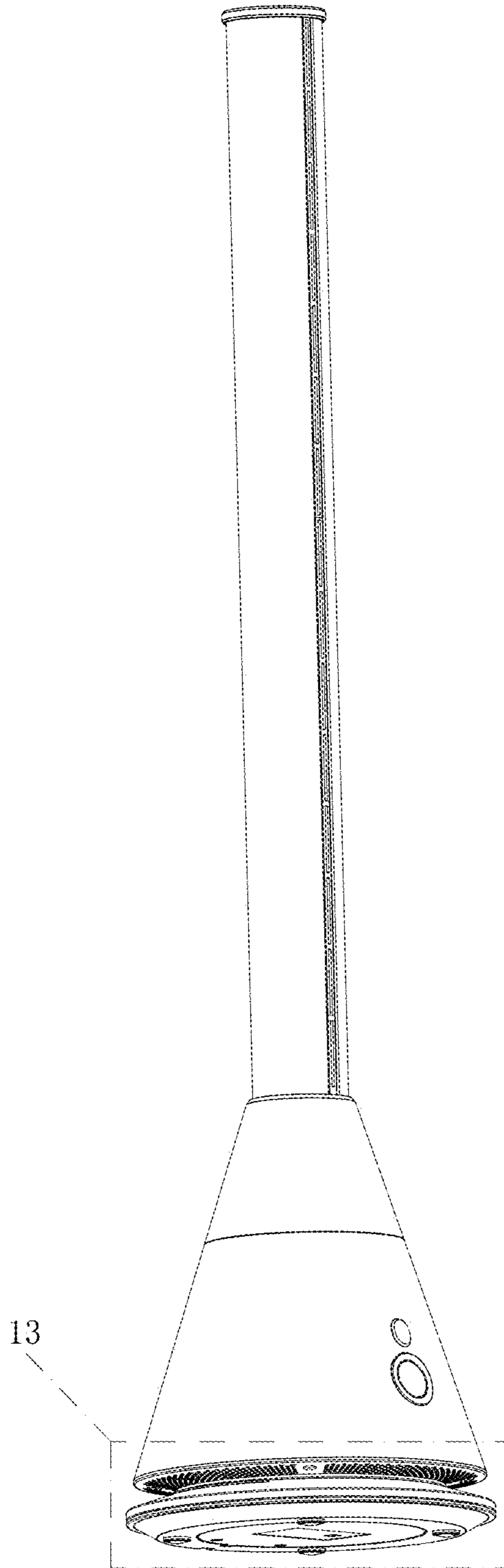


FIG. 12

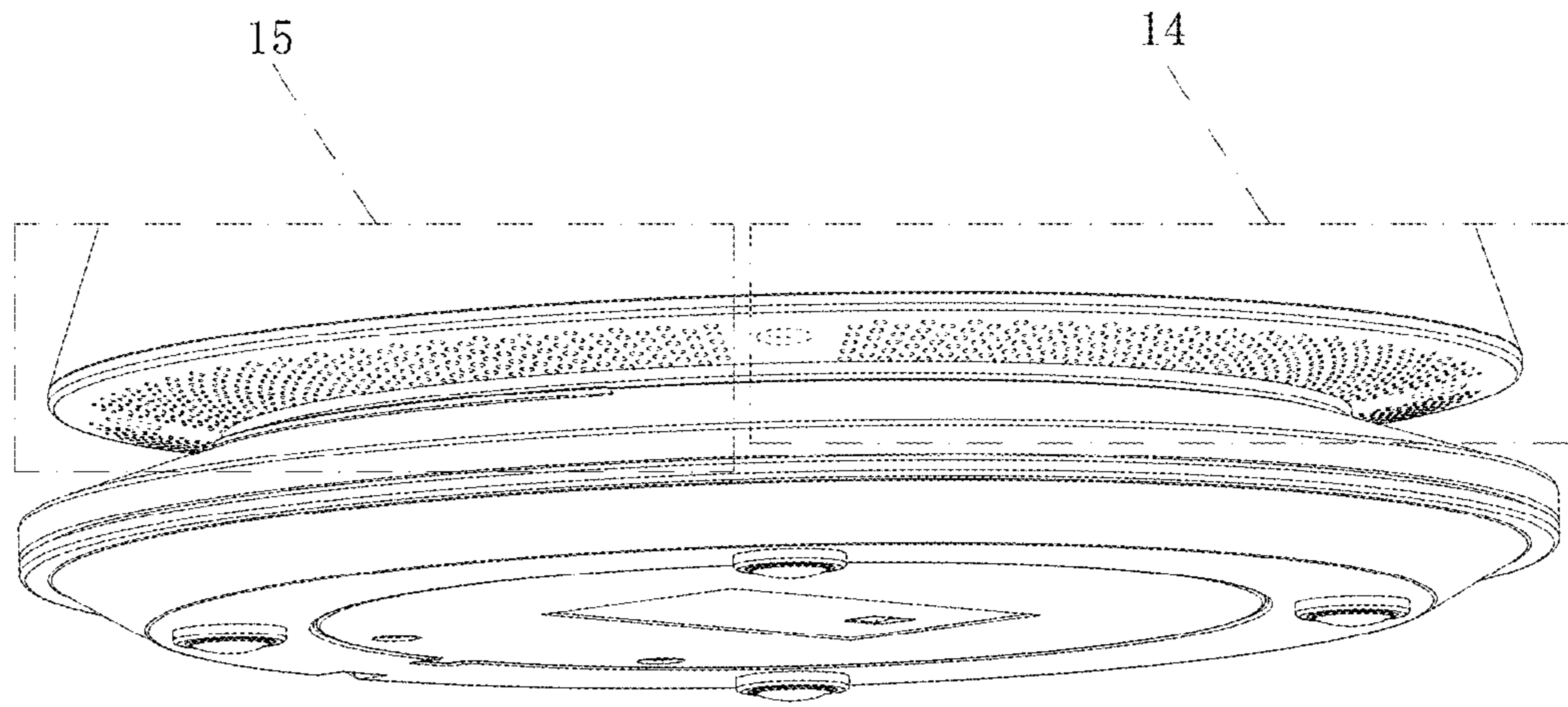


FIG. 13

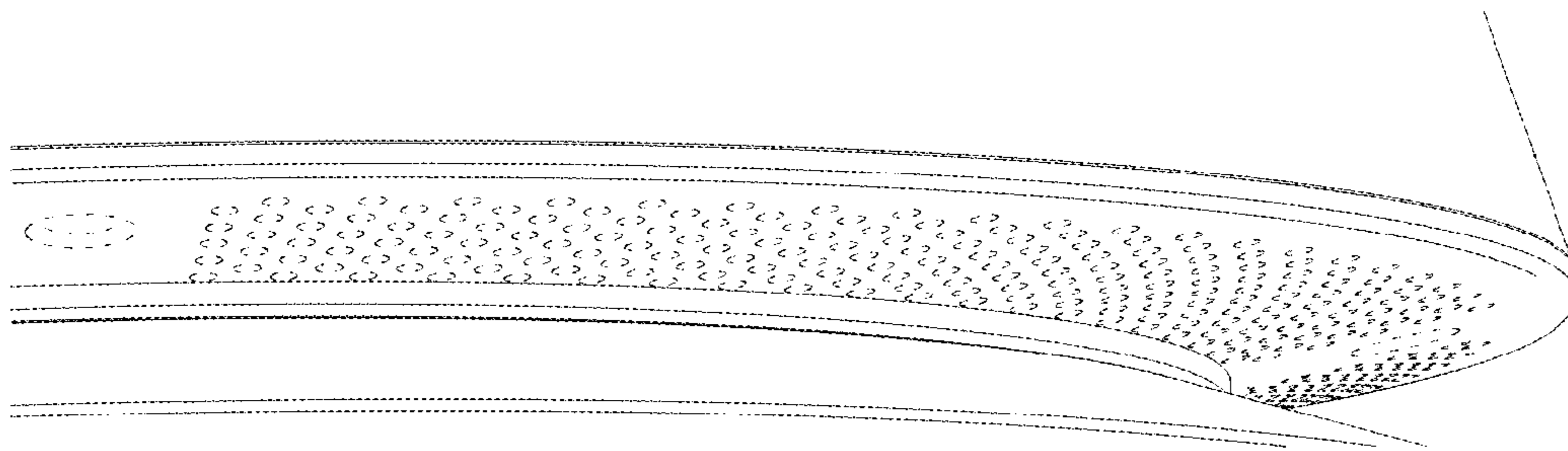


FIG. 14

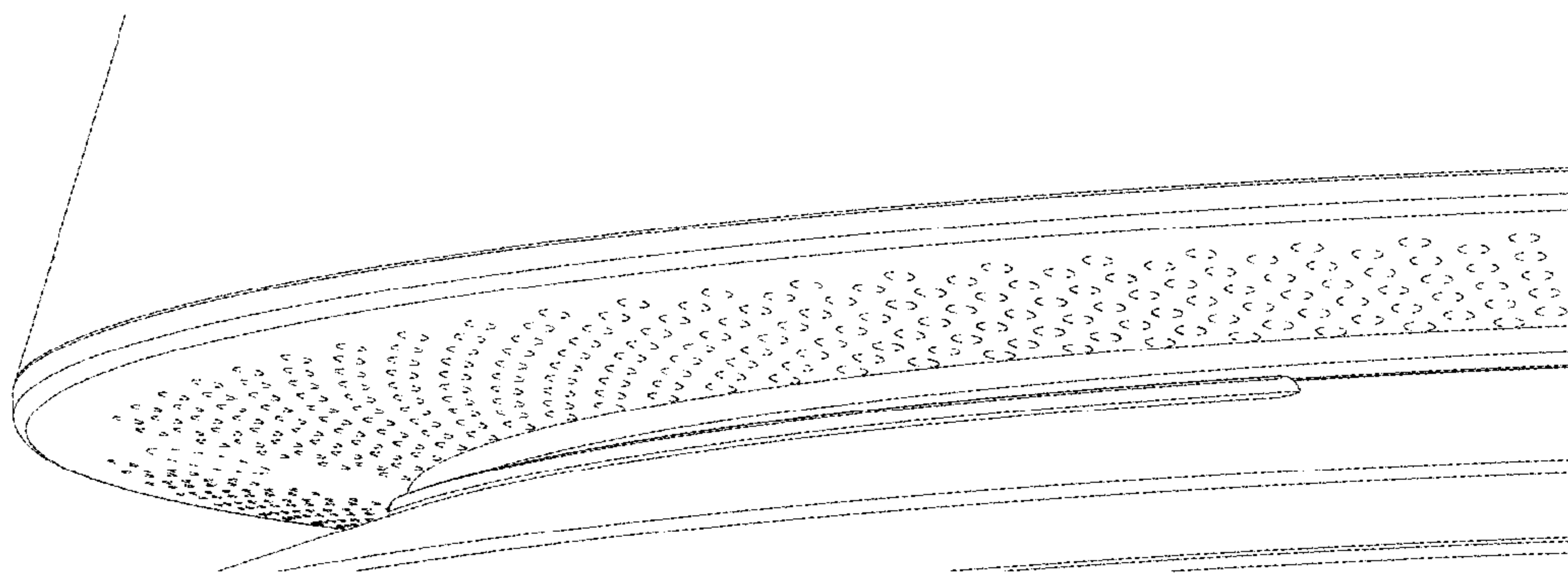


FIG. 15

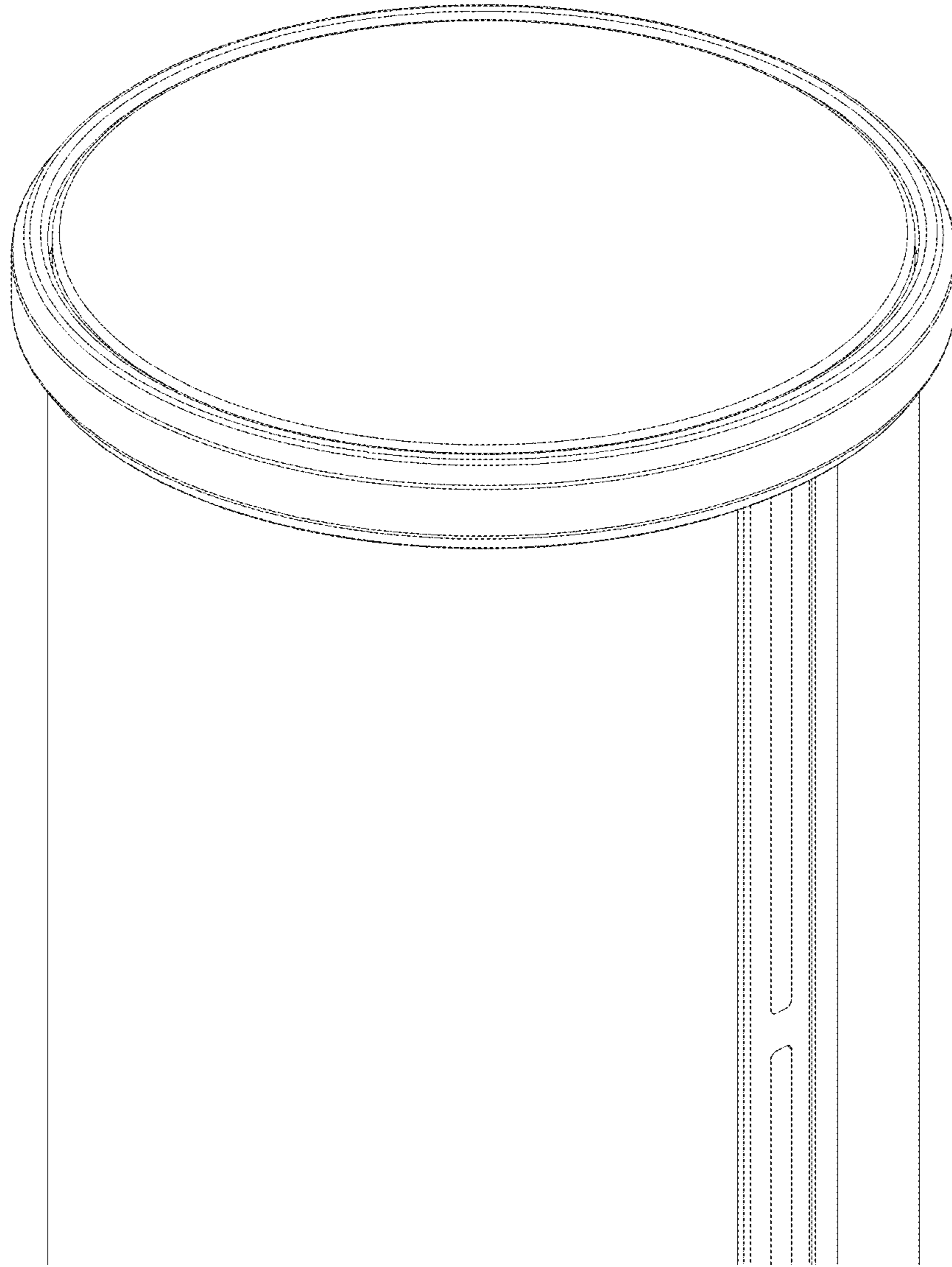


FIG. 16