



US00D883464S

(12) **United States Design Patent**  
**Hirschmann et al.**

(10) **Patent No.:** **US D883,464 S**

(45) **Date of Patent:** **\*\* May 5, 2020**

- (54) **LOW PROFILE EXHAUST HOOD**
- (71) Applicant: **OY HALTON GROUP LTD.**, Helsinki (FI)
- (72) Inventors: **Christian Hirschmann**, Kuala Lumpur (MY); **Derek W. Schrock**, Bowling Green, KY (US); **Philip J. Meredith**, Alvaton, KY (US); **Kyle Sunderlin**, Madison, TN (US)
- (73) Assignee: **OY HALTON GROUP LTD.**, Helsinki (FI)
- (\*\*) Term: **15 Years**
- (21) Appl. No.: **29/583,876**

D610,668 S \* 2/2010 Grey ..... D23/372  
 D610,670 S \* 2/2010 Grey ..... D23/372  
 D618,330 S 6/2010 Wolfe  
 (Continued)

FOREIGN PATENT DOCUMENTS

AU 325143 6/2008  
 AU 201712478 7/2017  
 (Continued)

*Primary Examiner* — Janice Hallmark

(74) *Attorney, Agent, or Firm* — Potomac Law Group, PLLC; Mark A. Catan

(57) **CLAIM**

The ornamental design for a low profile exhaust hood, as shown and described.

**DESCRIPTION**

FIG. 1 shows a bottom view of a low profile exhaust hood showing our new design, according to a first embodiment; FIG. 2 shows a bottom view of a low profile exhaust hood showing our new design, according to a second embodiment; FIG. 3 shows a left side view of the first and second embodiments of the low profile exhaust hood; FIG. 4 shows a right side view of the first and second embodiments of the low profile exhaust hood; FIG. 5 shows a front view of the first and second embodiments of the low profile exhaust hood; FIG. 6 shows a back view of the first and second embodiments of the low profile exhaust hood; FIG. 7 shows a top view of the first and second embodiments of the low profile exhaust hood; FIG. 8 shows a perspective view of the first and second embodiments of the low profile exhaust hood; FIG. 9 shows a bottom perspective view of the first embodiment of the low profile exhaust hood; and, FIG. 10 shows a bottom perspective view of the second embodiment of the low profile exhaust hood.

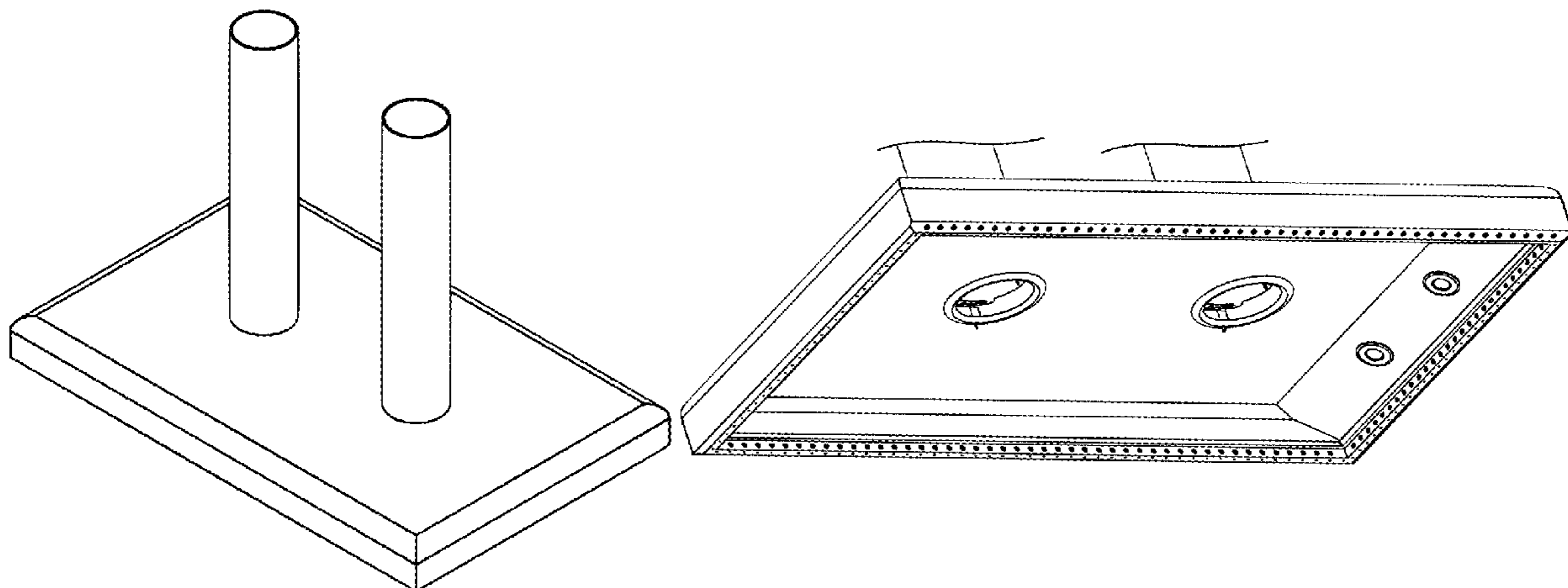
**1 Claim, 3 Drawing Sheets**

- (22) Filed: **Nov. 9, 2016**
- (51) **LOC (12) Cl.** ..... **23-04**
- (52) **U.S. Cl.**  
USPC ..... **D23/372**
- (58) **Field of Classification Search**  
USPC ..... D23/370, 371, 372, 411  
CPC .. F24C 15/2042; F24C 15/2035; F24C 15/20;  
F24F 7/007; F24F 7/025; F24F 13/20;  
F04D 19/002; F04D 29/522  
See application file for complete search history.

(56) **References Cited**

U.S. PATENT DOCUMENTS

D327,541 S 6/1992 Chen  
 D450,829 S 11/2001 Bothe et al.  
 D471,268 S \* 3/2003 Segers ..... D23/372  
 D487,505 S \* 3/2004 Grobleben ..... D23/371  
 D490,887 S \* 6/2004 Segers ..... D23/372  
 D516,694 S \* 3/2006 Vetter ..... D23/372  
 D516,695 S \* 3/2006 Vetter ..... D23/372  
 D532,509 S 11/2006 Cheng  
 D565,719 S 4/2008 Cheng



(56)

**References Cited**

U.S. PATENT DOCUMENTS

|            |   |         |                 |         |
|------------|---|---------|-----------------|---------|
| D643,917 S | * | 8/2011  | Klunker .....   | D23/371 |
| D651,705 S | * | 1/2012  | Klunker .....   | D23/371 |
| D746,970 S |   | 1/2016  | Sandusky et al. |         |
| D747,314 S |   | 1/2016  | Sandusky et al. |         |
| D799,019 S |   | 10/2017 | Schrock et al.  |         |
| D814,010 S |   | 3/2018  | Schrock et al.  |         |
| D833,592 S |   | 11/2018 | Meredith et al. |         |

FOREIGN PATENT DOCUMENTS

|    |               |    |         |
|----|---------------|----|---------|
| CL | 2015000042    | S1 | 9/2015  |
| CL | 2015000041    | S1 | 10/2015 |
| CL | 2016000369    | S1 | 7/2016  |
| CL | 2016000370    | S1 | 7/2016  |
| CL | 2017000275    | S1 | 5/2017  |
| EM | 0001420880004 |    | 3/2004  |
| EM | 0003344040001 |    | 5/2005  |

\* cited by examiner

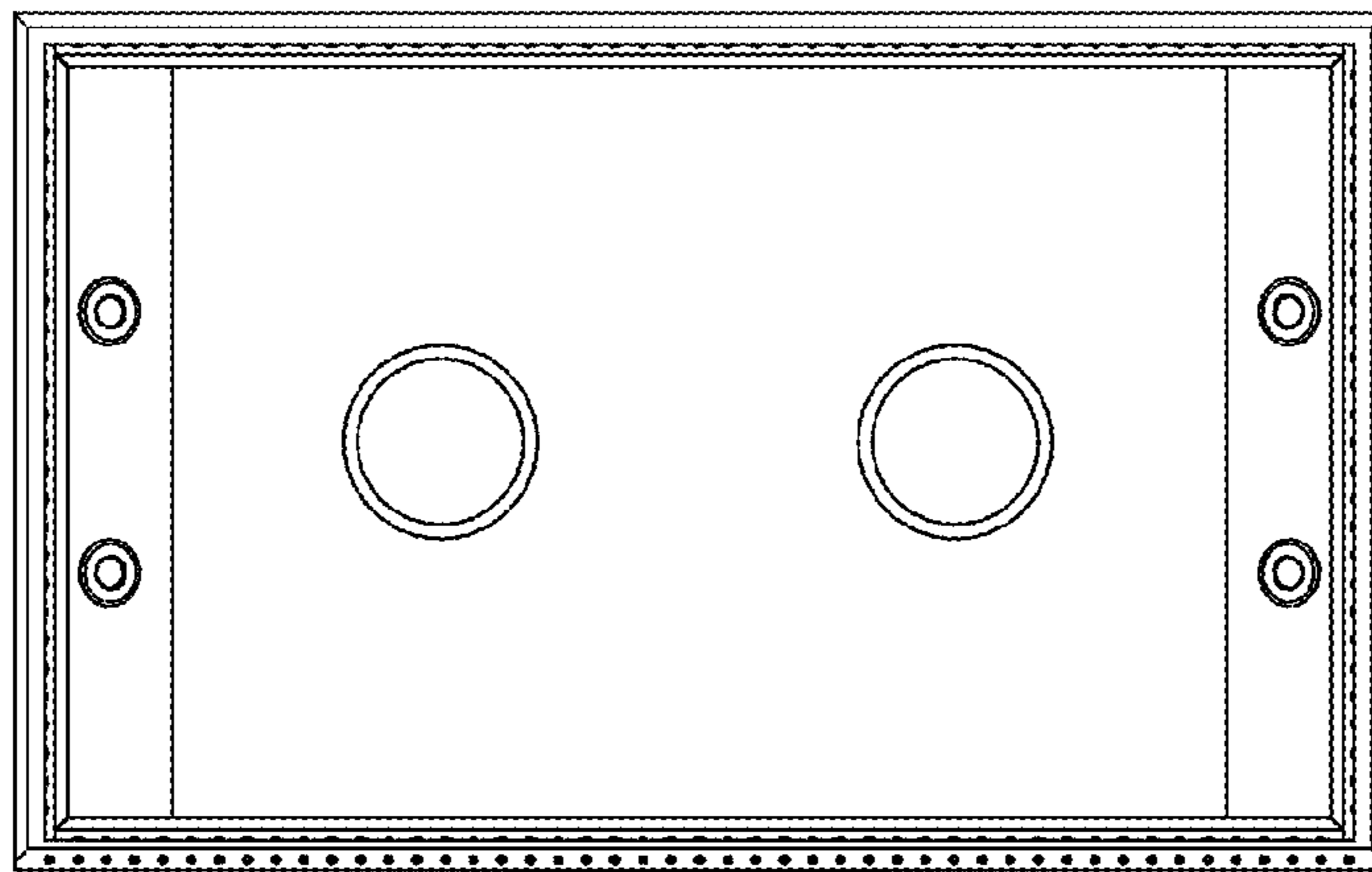


Fig. 1

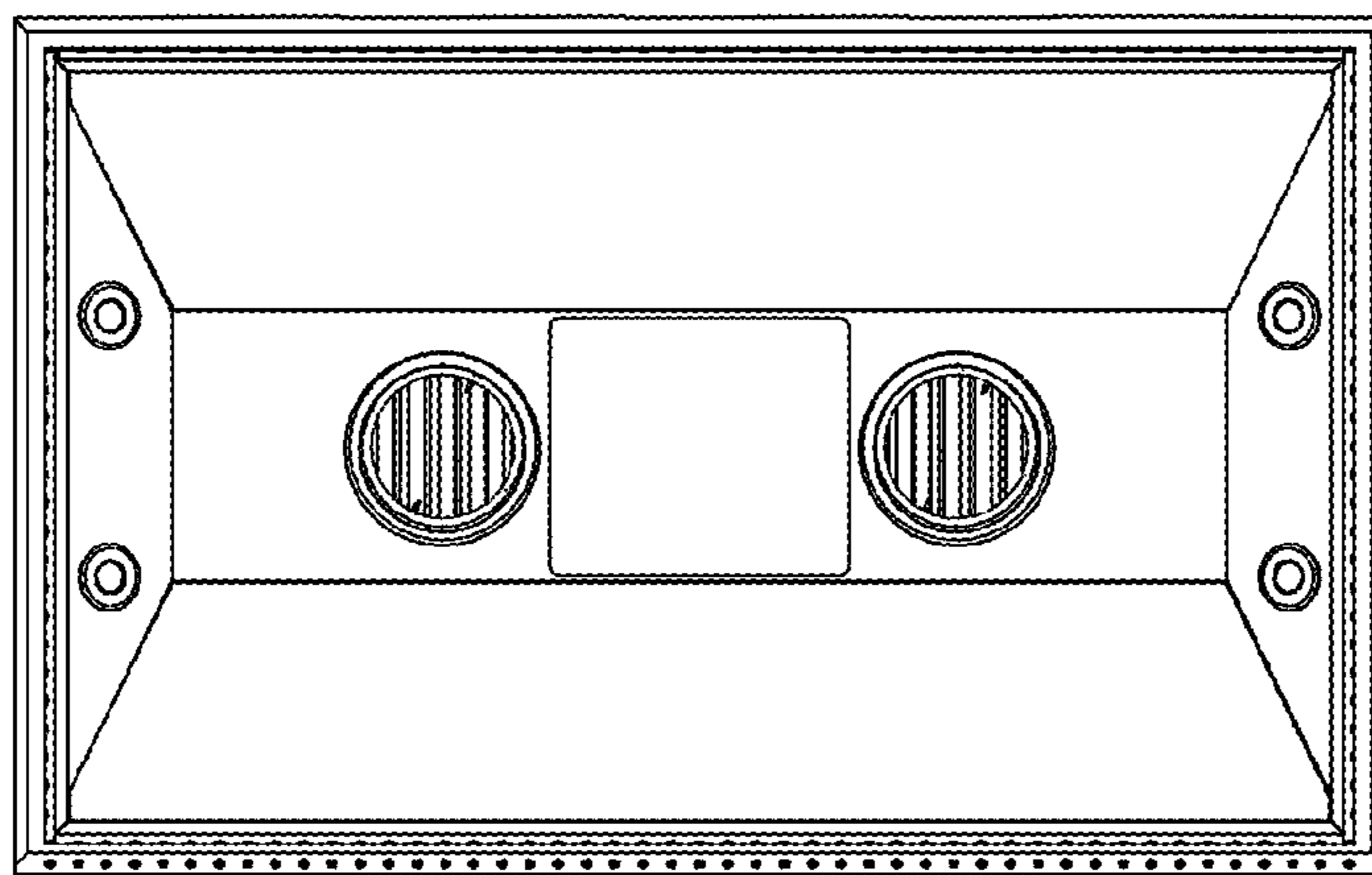


Fig. 2

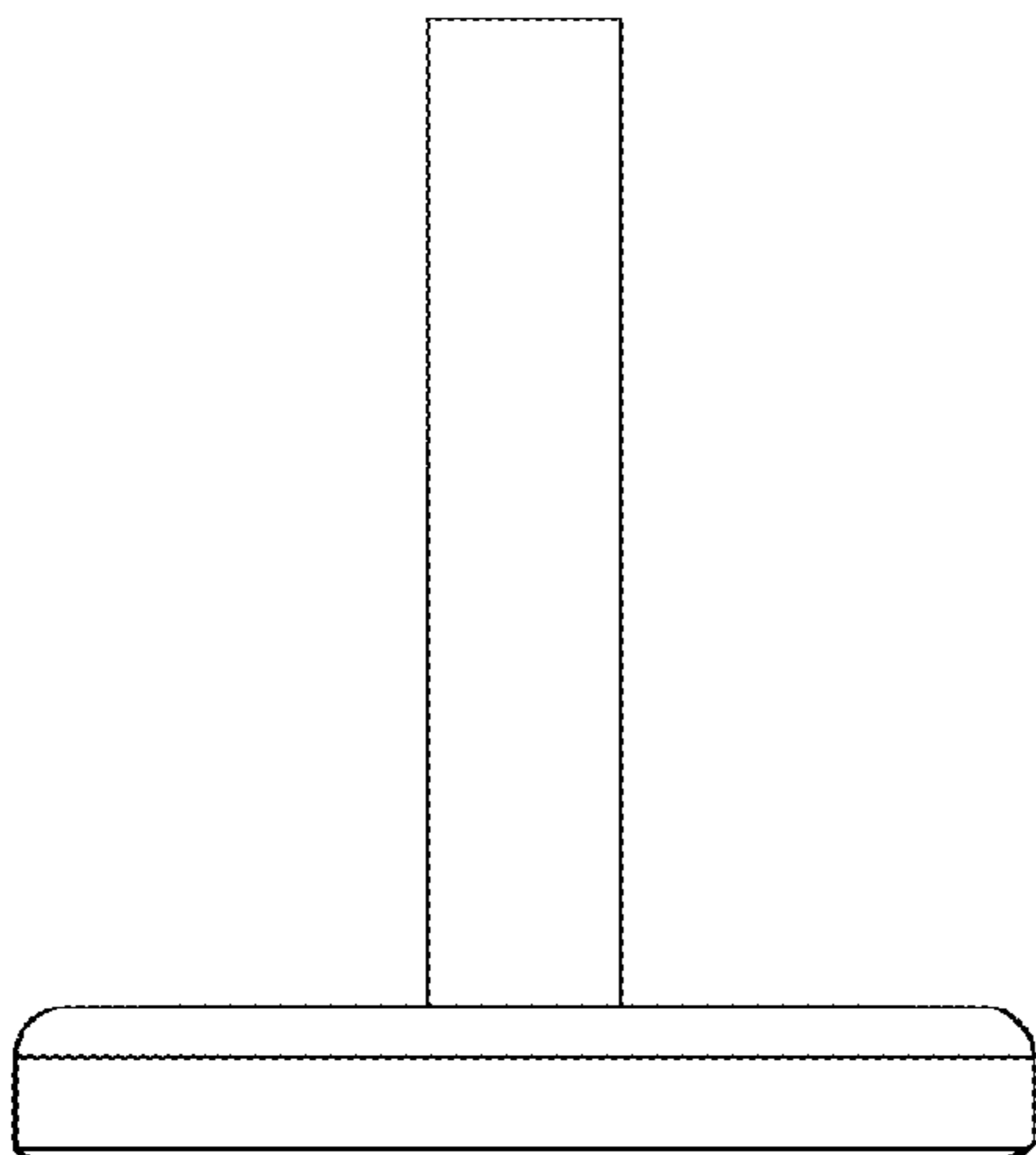


Fig. 3

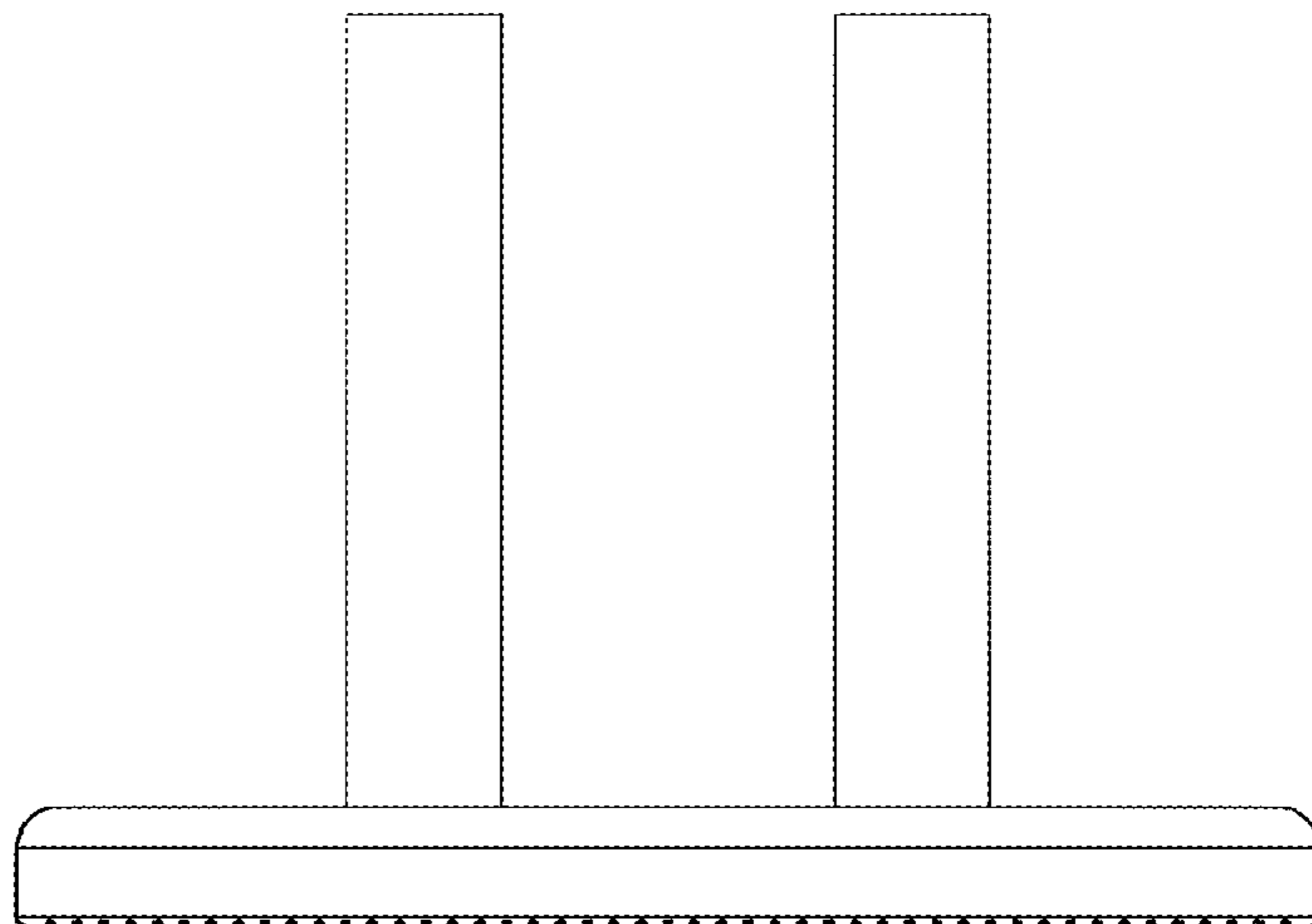


Fig. 5

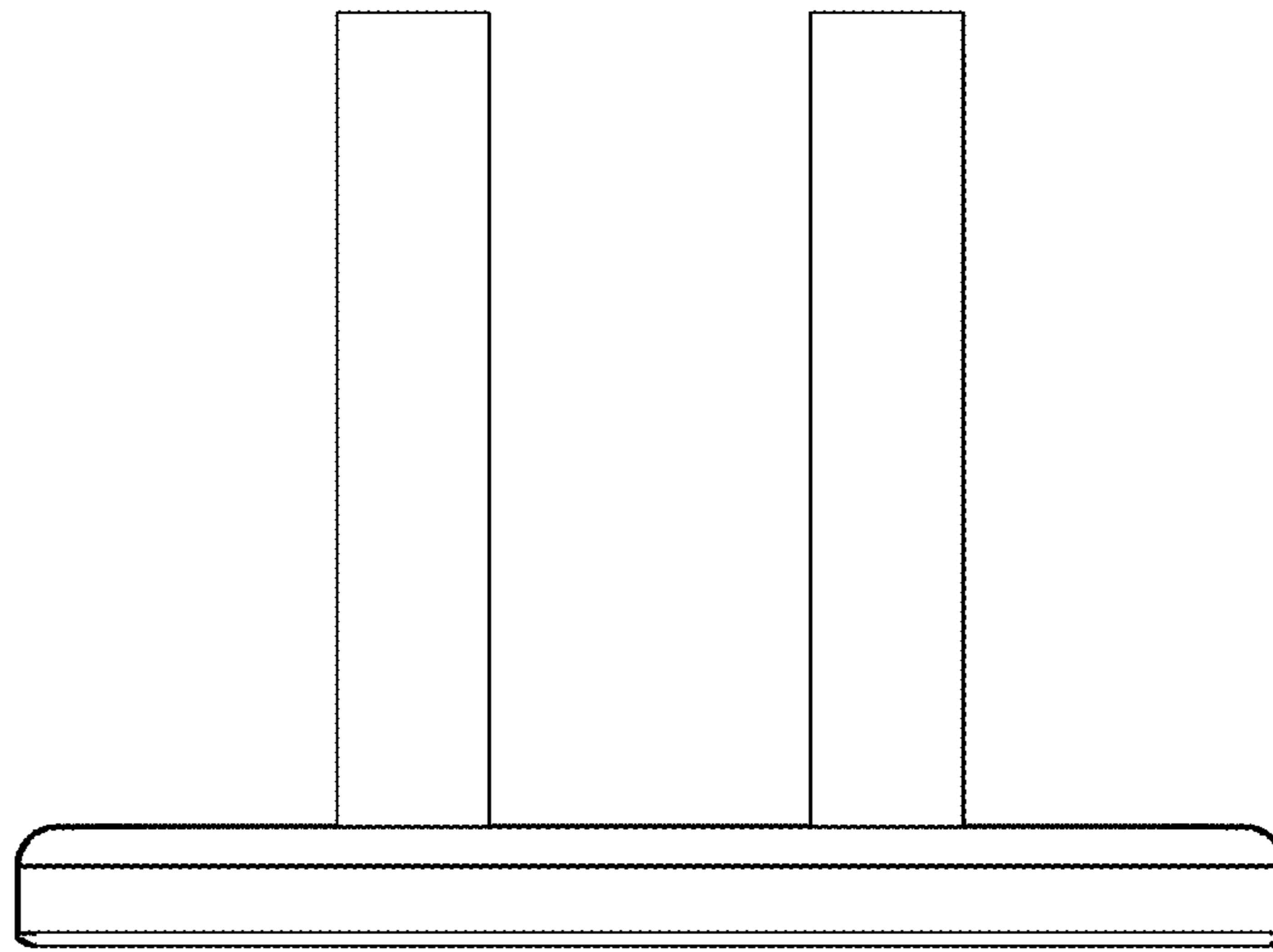


Fig. 6

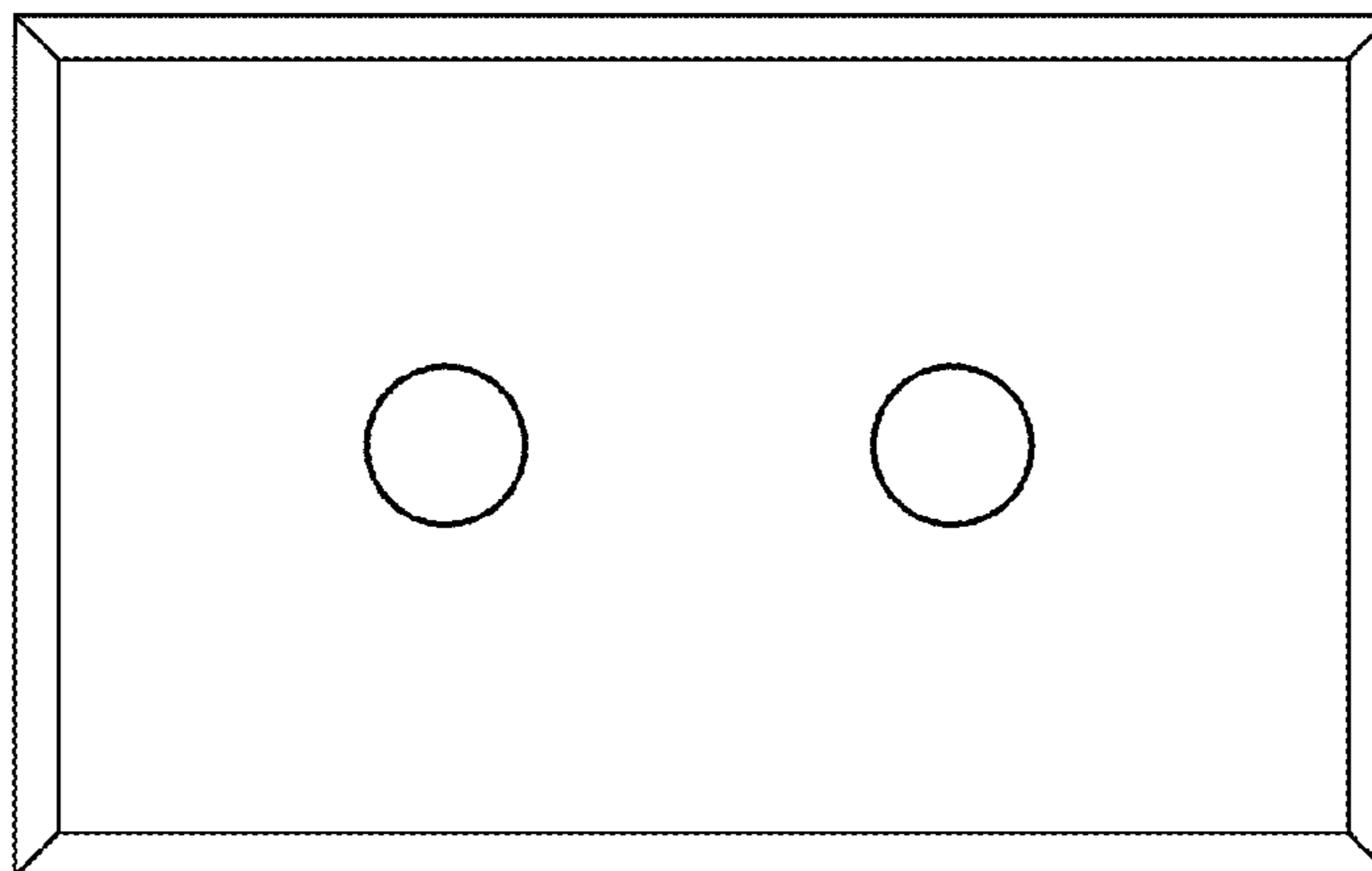


Fig. 7

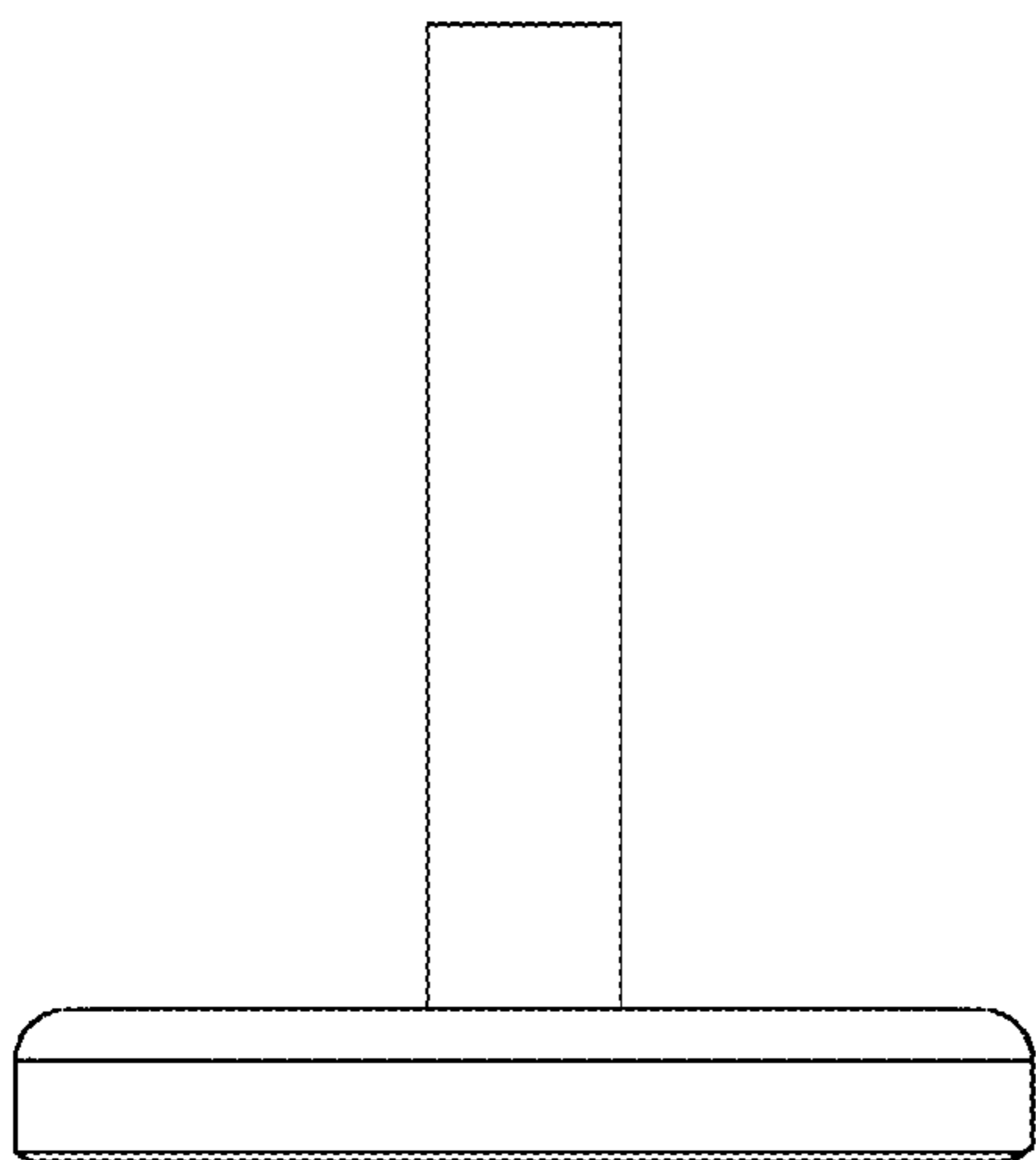


Fig. 4

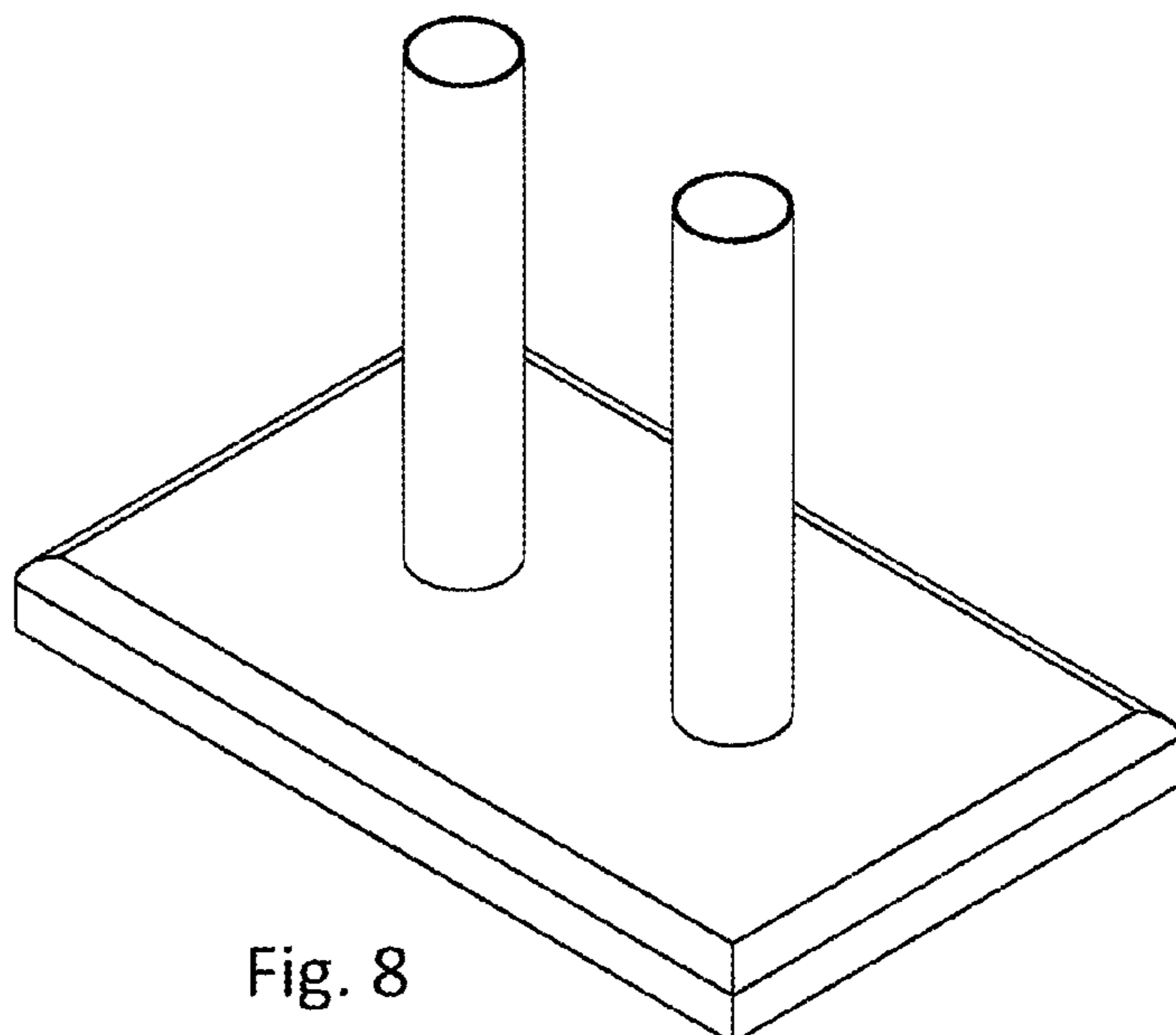


Fig. 8

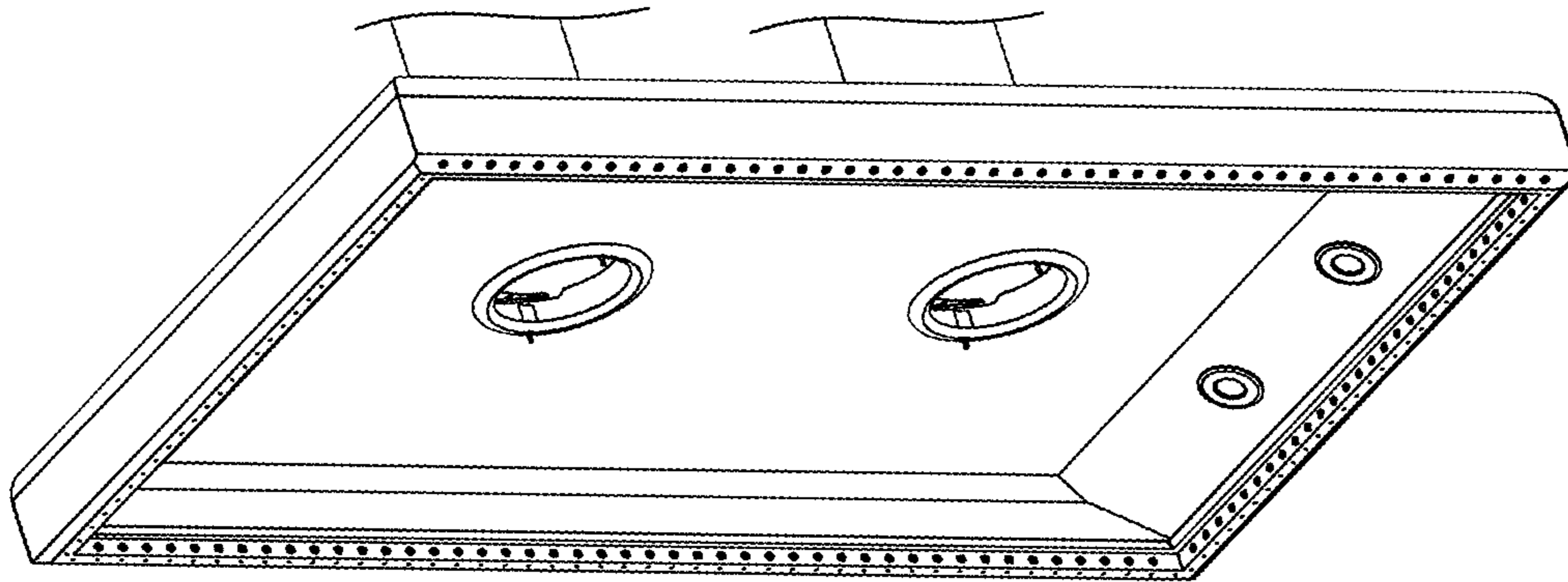


Fig. 9

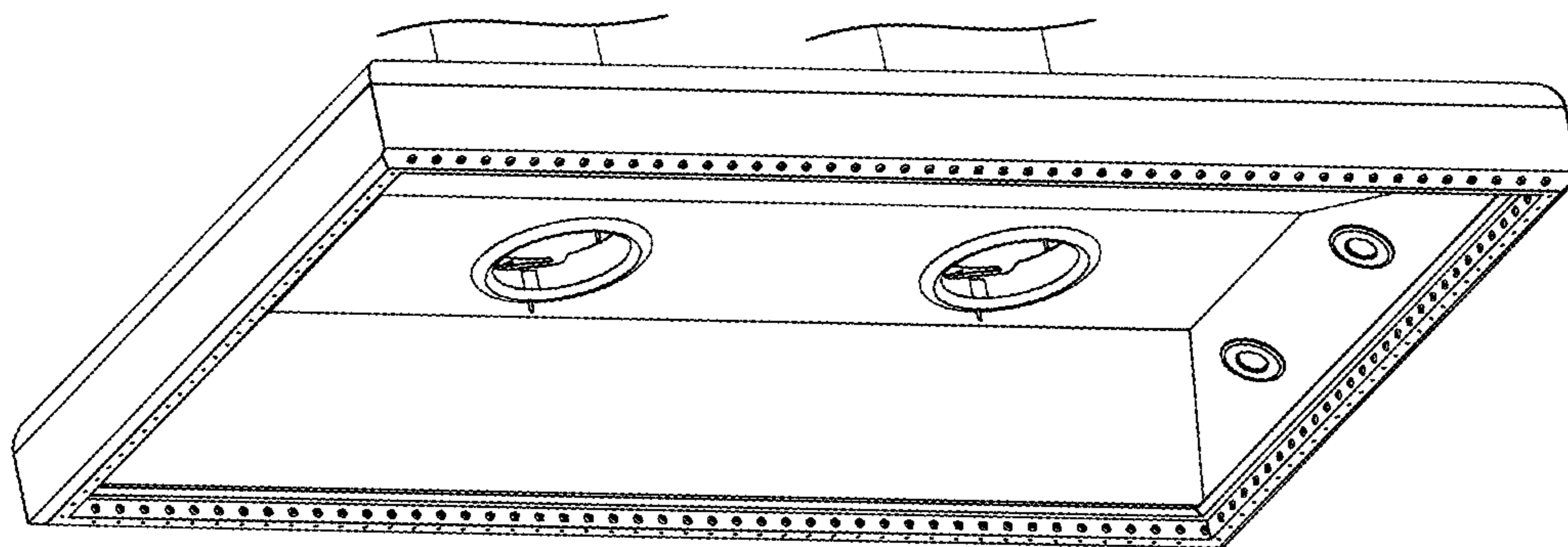


Fig. 10