



US00D883462S

(12) **United States Design Patent** (10) **Patent No.:** **US D883,462 S**
Wei (45) **Date of Patent:** **** May 5, 2020**

(54) **AROMA DIFFUSER**
(71) Applicant: **TEST RITE INTERNATIONAL CO., LTD.**, Taipei (TW)
(72) Inventor: **Wen-Hsiang Wei**, Taipei (TW)
(73) Assignee: **TEST RITE INTERNATIONAL CO., LTD.**, Taipei (TW)

D788,900 S * 6/2017 Hendifar D23/366
D800,885 S * 10/2017 Chou D23/366
D801,307 S * 10/2017 Kim D14/216
D803,373 S * 11/2017 Chou D23/366
D803,375 S * 11/2017 Wu D23/366
D804,250 S * 12/2017 Mann D7/515
D825,092 S * 8/2018 Amato D26/88

(Continued)

(**) Term: **15 Years**
(21) Appl. No.: **29/639,052**
(22) Filed: **Mar. 2, 2018**

(30) **Foreign Application Priority Data**

Sep. 7, 2017 (CN) 2017 3 0422556

(51) **LOC (12) Cl.** **23-04**

(52) **U.S. Cl.**
USPC **D23/366**

(58) **Field of Classification Search**
USPC D23/208, 355-369; D14/209.1, 212-213;
D26/106, 2
CPC A61L 9/02; A61L 9/03; A61L 9/12; A61L
9/035; A61L 9/125
See application file for complete search history.

(56) **References Cited**

U.S. PATENT DOCUMENTS

D239,163 S * 3/1976 Dearling D23/369
D265,924 S * 8/1982 Gehlke D23/355
D393,016 S * 3/1998 Young D21/398
D435,099 S * 12/2000 Clement D23/366
D495,811 S * 9/2004 Chen D26/2
D539,937 S * 4/2007 Mama D26/2
D553,231 S * 10/2007 Li D23/366
D612,521 S * 3/2010 Liu D26/2
D632,378 S * 2/2011 Deflorian D23/366
D743,058 S * 11/2015 Oonaka D26/2
D758,349 S * 6/2016 Chen D14/216

OTHER PUBLICATIONS

Instagram.com, Edgarhome Stone Orbis Lamp White Marble, online product post, Oct. 2017, retrieved Sep. 4, 2019 from <URL:https://www.instagram.com/p/BZvDJkjHXZT> (Year: 2017).*

Primary Examiner — Sheryl Lane
Assistant Examiner — Calvin E Vansant
(74) *Attorney, Agent, or Firm* — Fenwick & West LLP

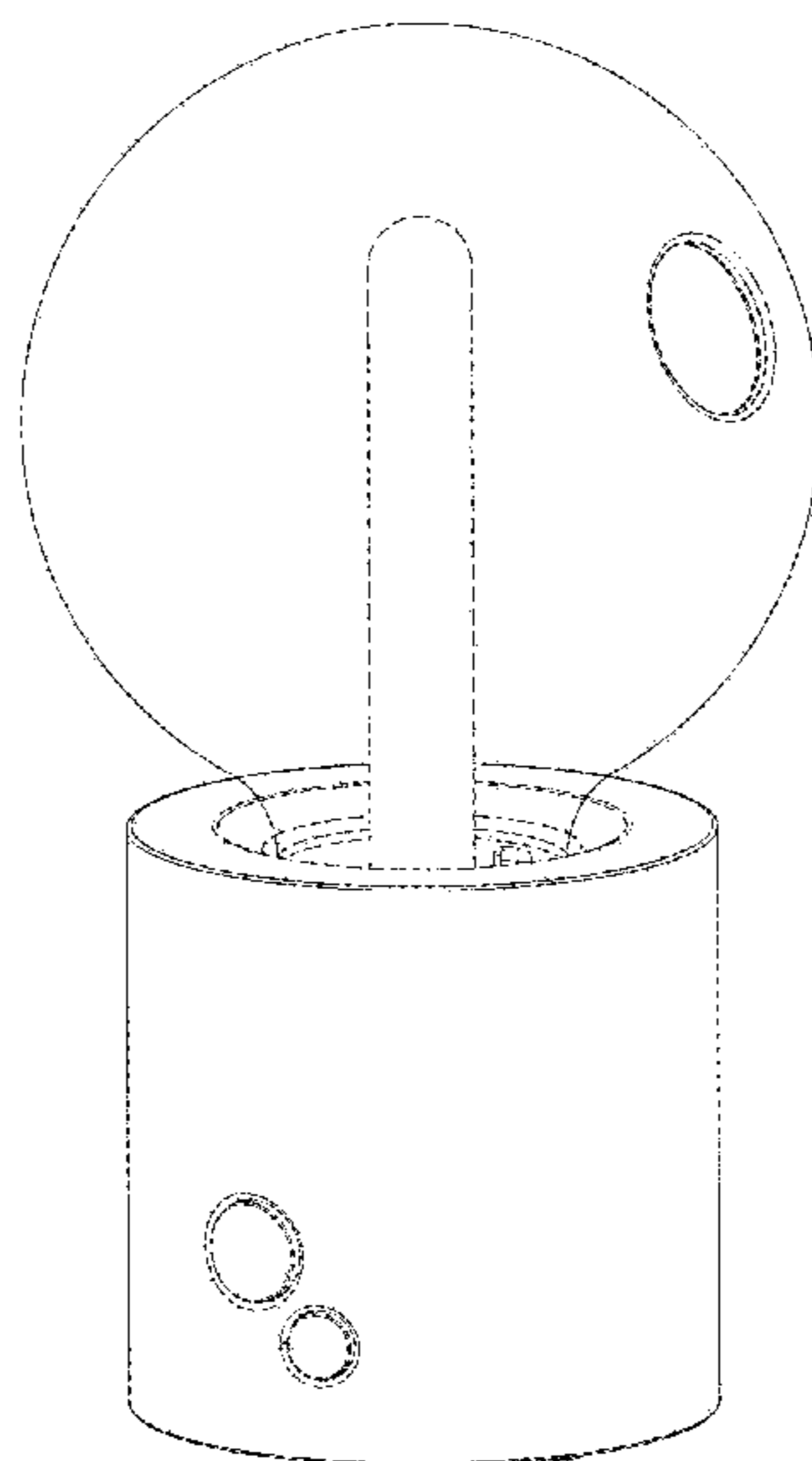
(57) **CLAIM**

The ornamental design for an aroma diffuser, as shown and described.

DESCRIPTION

FIG. 1 is a perspective view of an aroma diffuser according to a first embodiment of the present disclosure;
FIG. 2 is a front view of the aroma diffuser according to the first embodiment of the present disclosure;
FIG. 3 is a rear-side view of the aroma diffuser according to the first embodiment of the present disclosure;
FIG. 4 is a left-side view of the aroma diffuser according to the first embodiment of the present disclosure;
FIG. 5 is a right-side view of the aroma diffuser according to the first embodiment of the present disclosure;
FIG. 6 is a top view of the aroma diffuser according to the first embodiment of the present disclosure; and,
FIG. 7 is a bottom view of the aroma diffuser according to the first embodiment of the present disclosure.
The broken lines depict portions of the aroma diffuser that form no part of the claim.

1 Claim, 7 Drawing Sheets



(56)

References Cited

U.S. PATENT DOCUMENTS

D851,068 S * 6/2019 Ulloa D14/217
D866,519 S * 11/2019 Yanjie D14/216
D869,851 S * 12/2019 Courtney D4/101

* cited by examiner

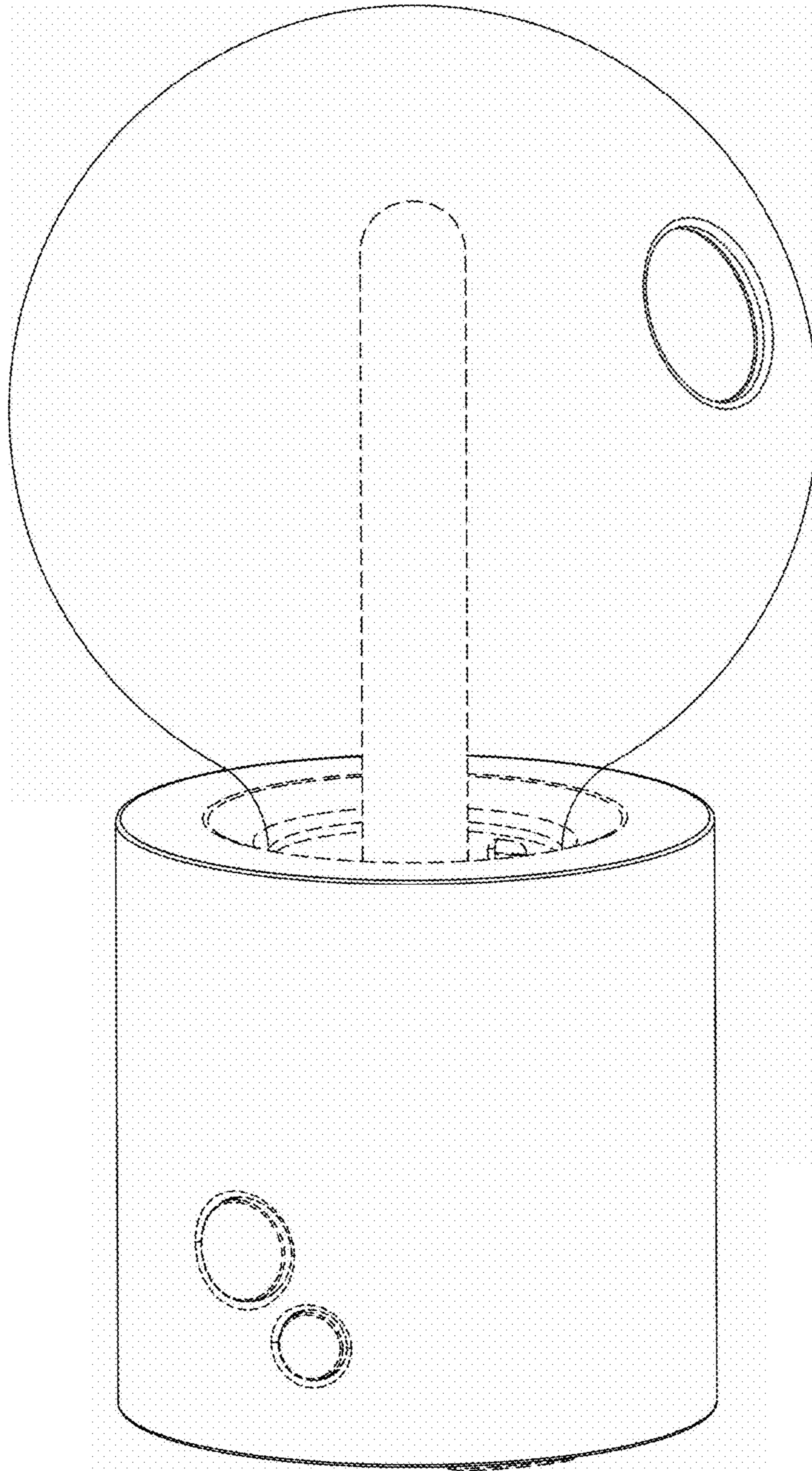


FIG. 1

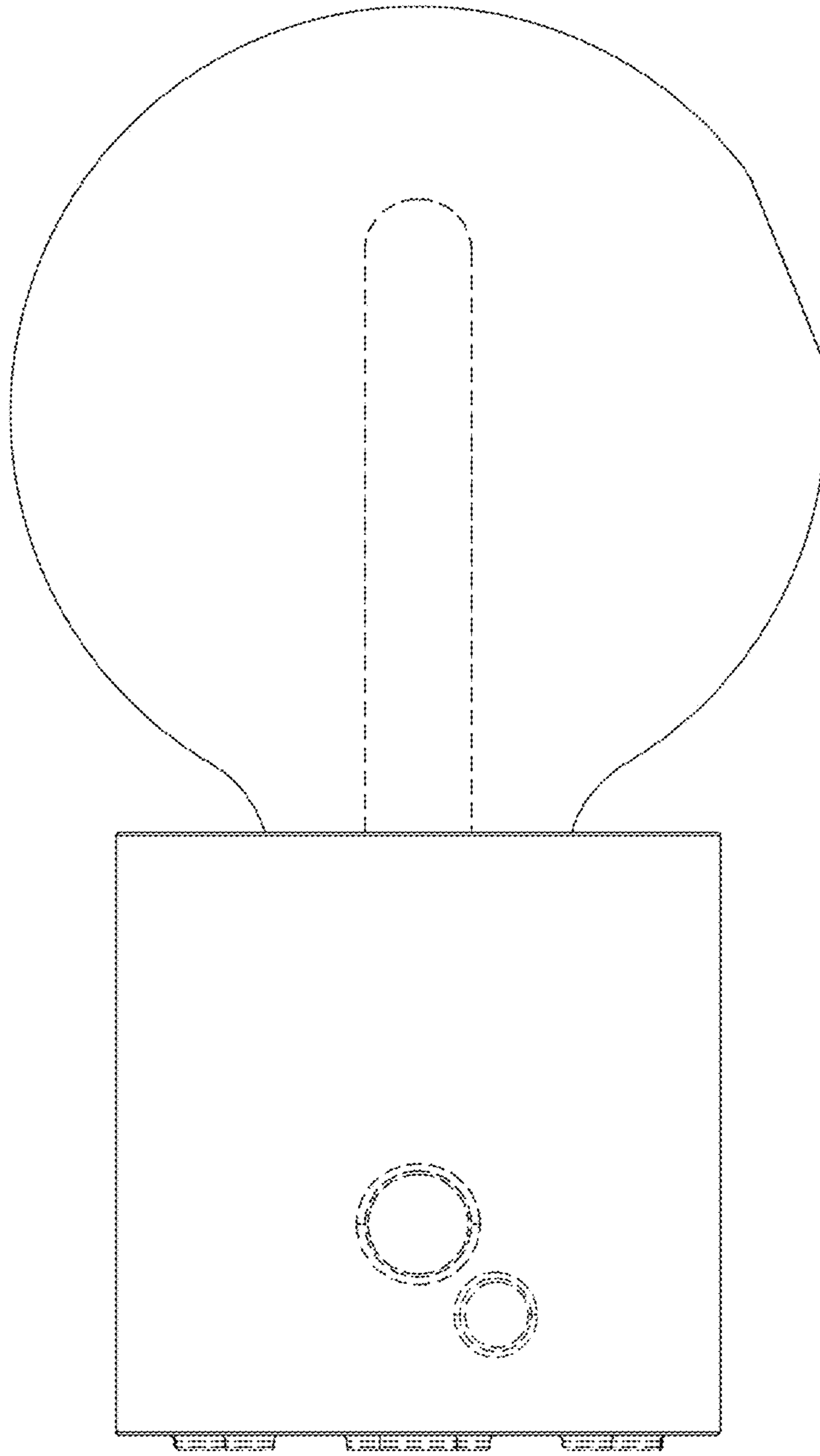


FIG. 2

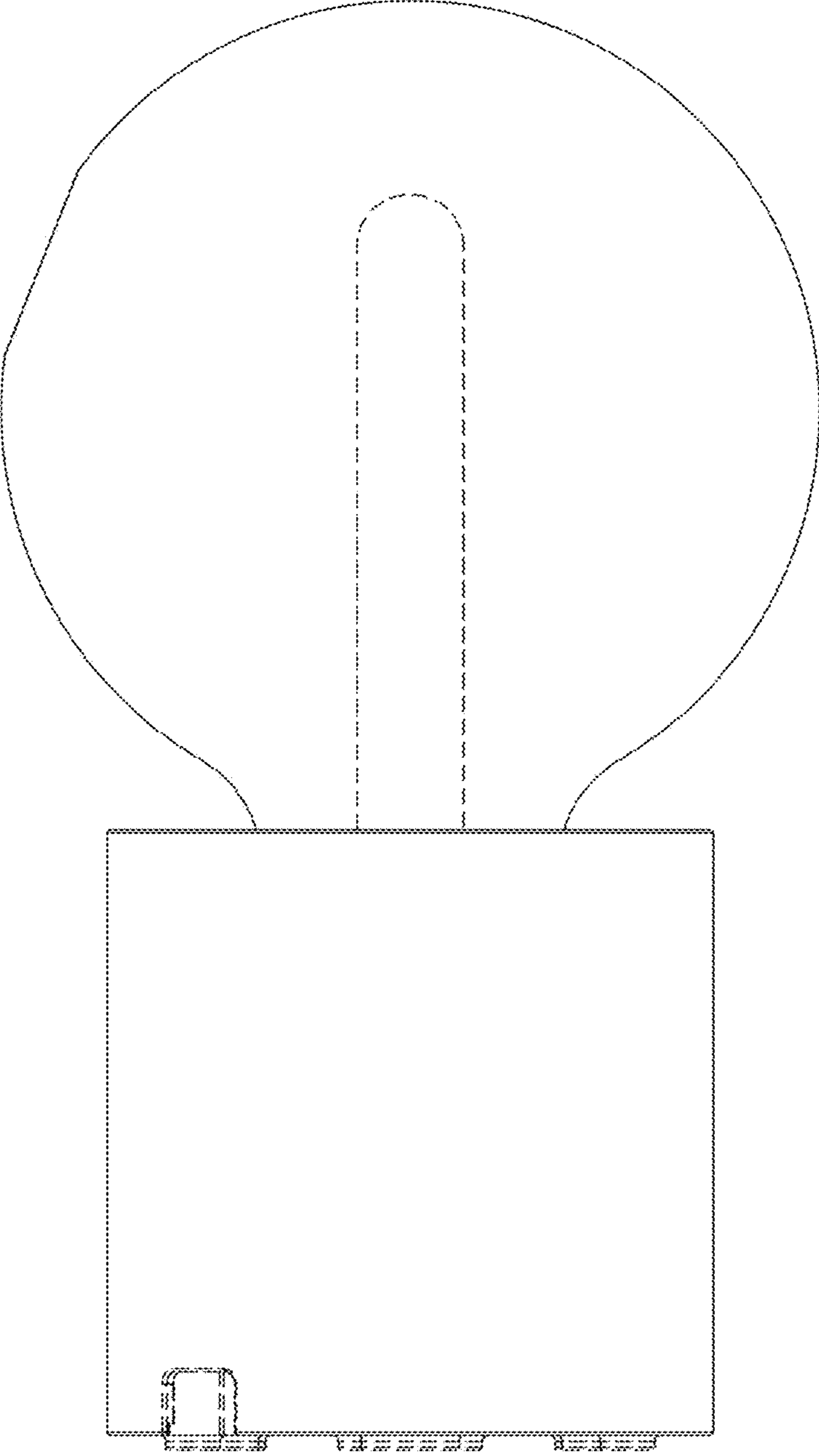


FIG. 3

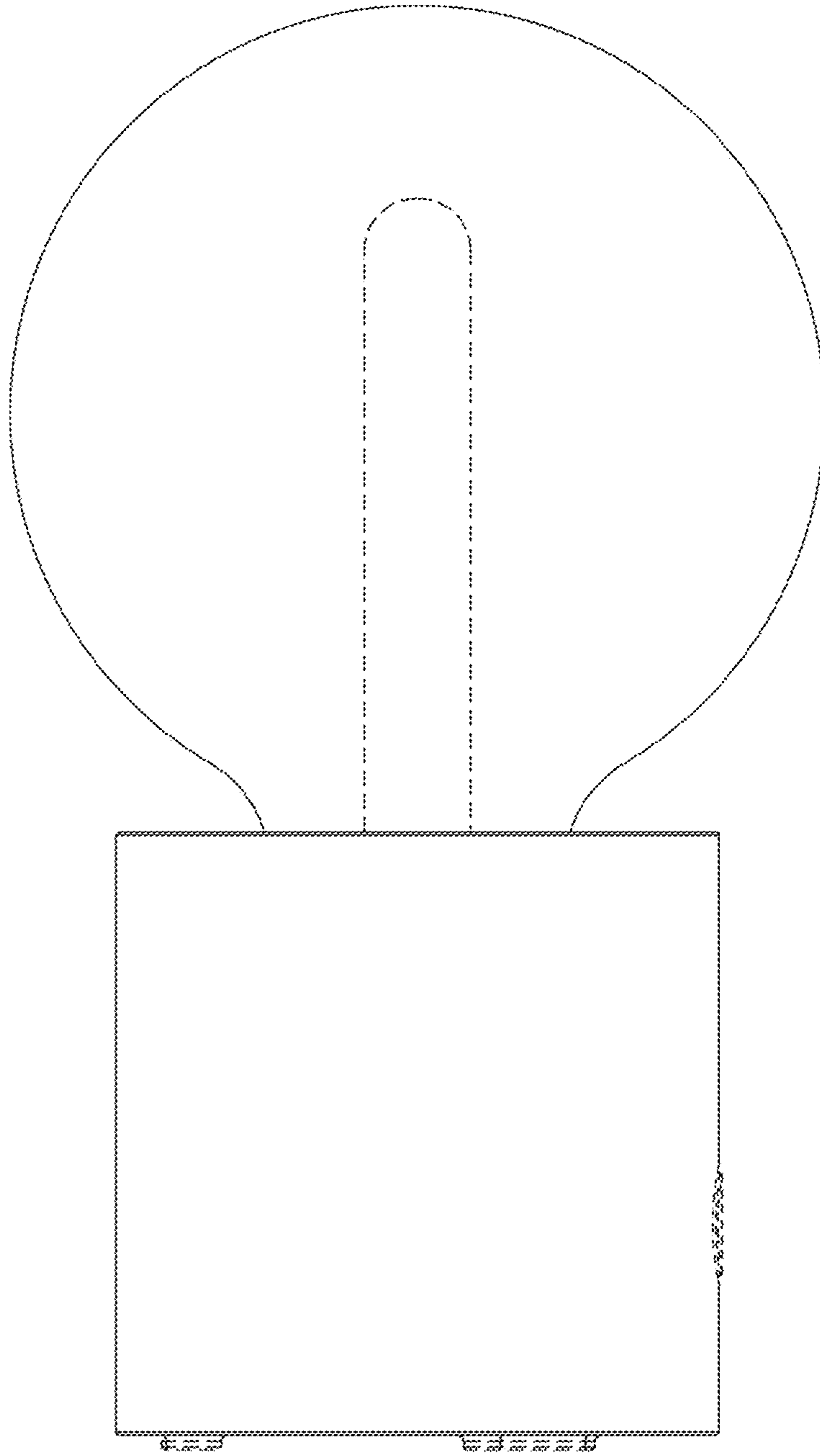


FIG. 4

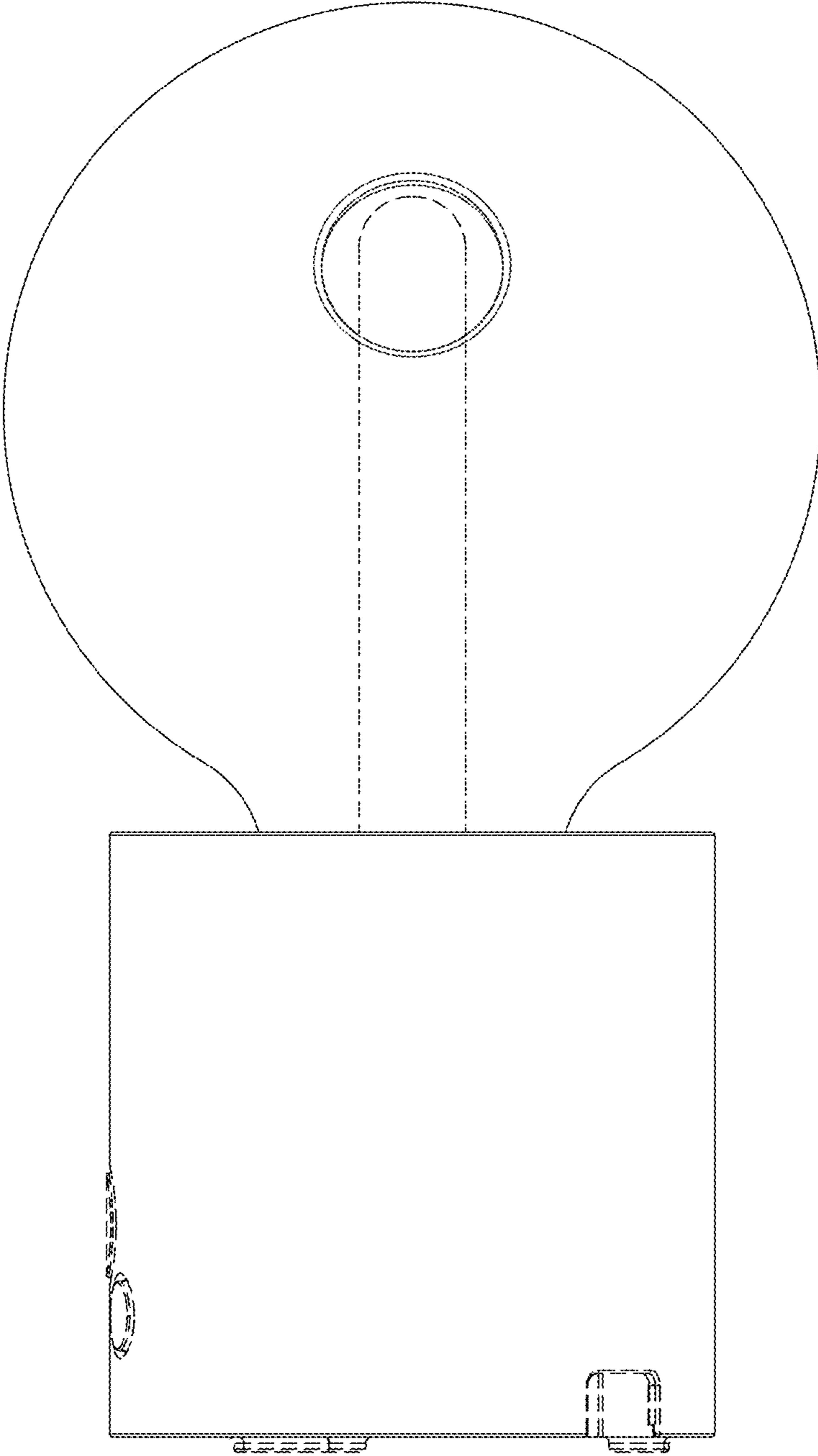


FIG. 5

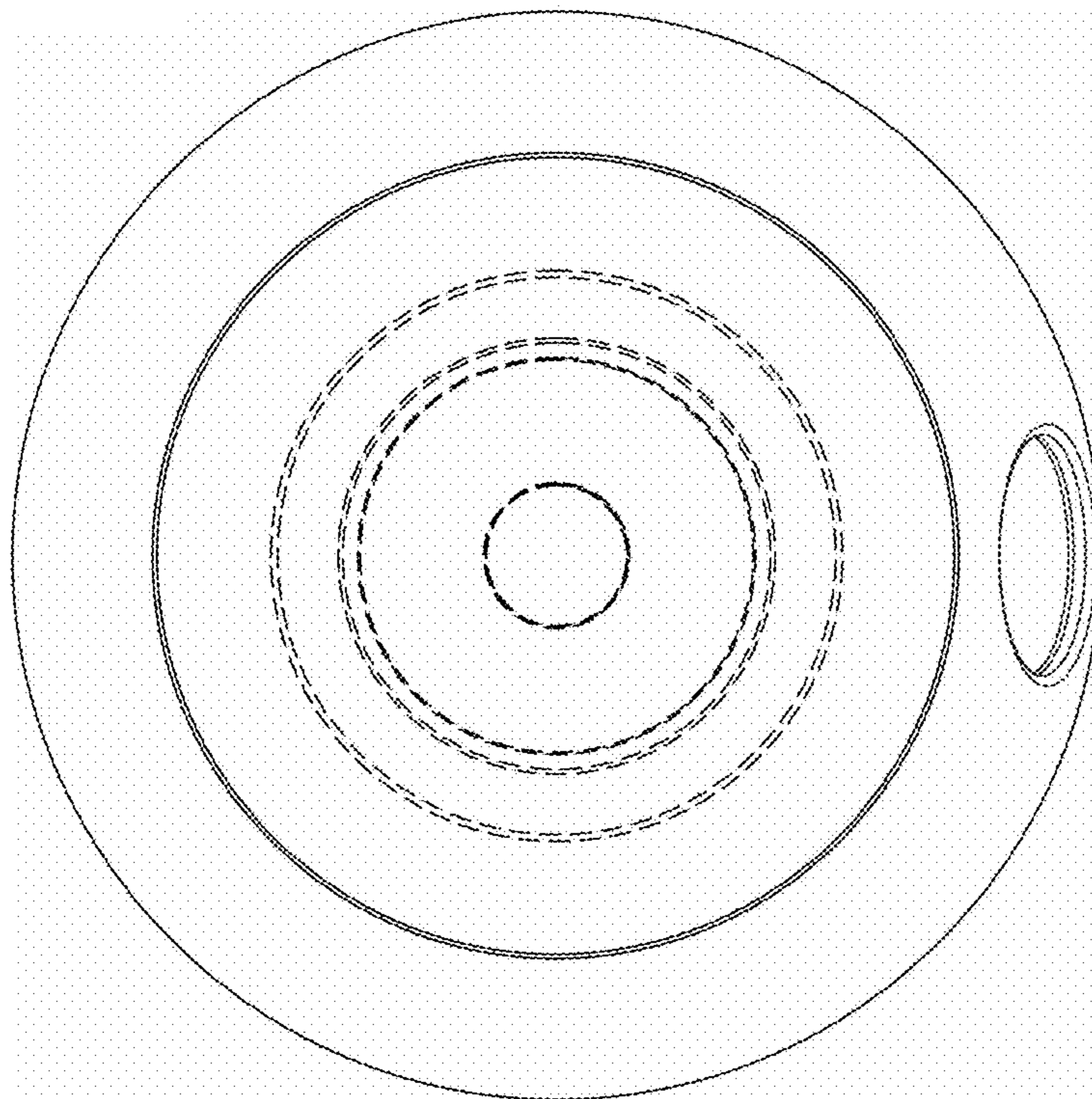


FIG. 6

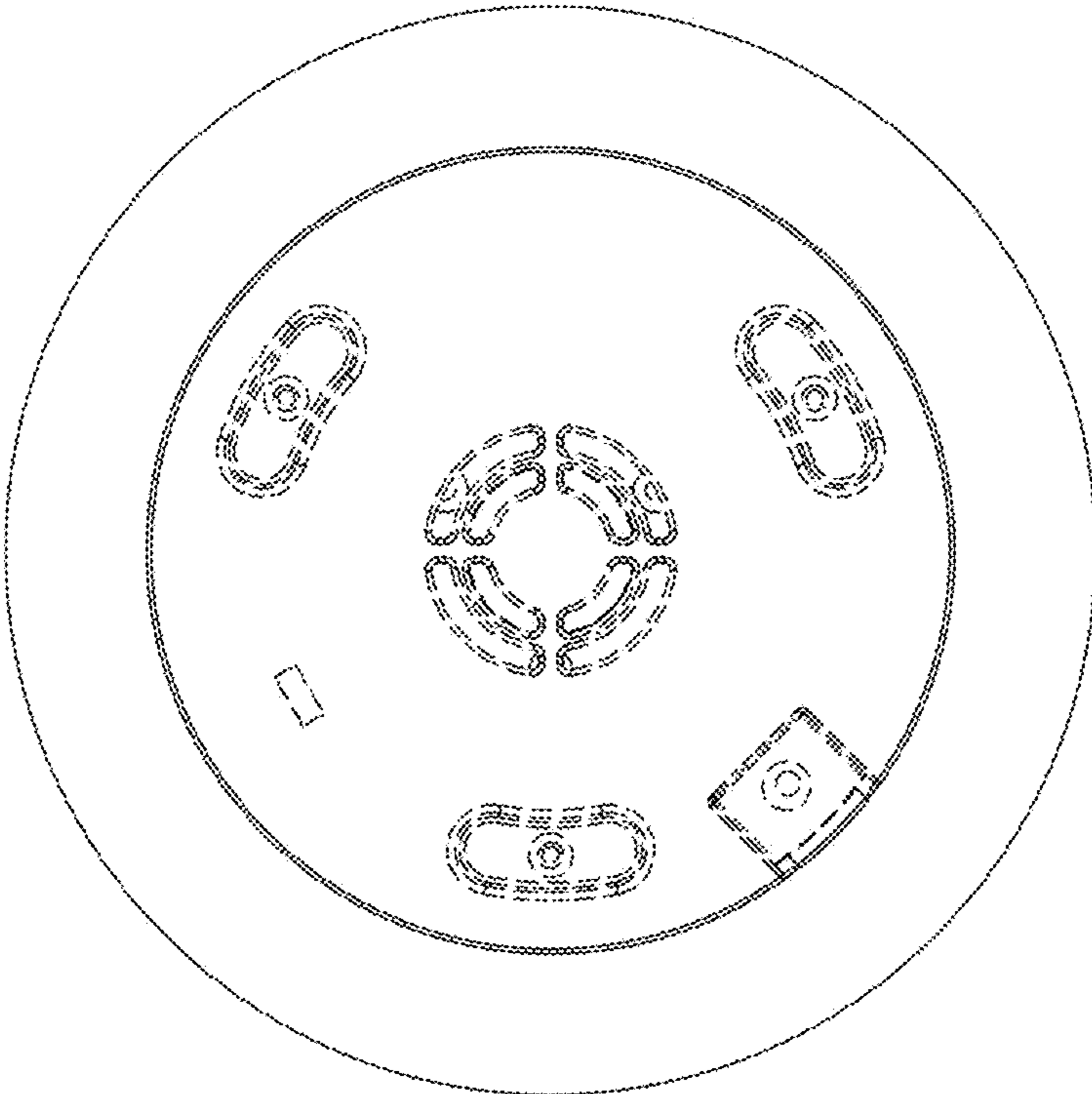


FIG. 7