



US00D883461S

(12) **United States Design Patent**  
**Farrell et al.**

(10) **Patent No.:** **US D883,461 S**

(45) **Date of Patent:** **\*\* May 5, 2020**

- (54) **INLET BARRIER FILTER**
- (71) Applicants: **Brant Farrell**, Opa-Locka, FL (US);  
**Lance Edwards**, Opa-Locka, FL (US)
- (72) Inventors: **Brant Farrell**, Opa-Locka, FL (US);  
**Lance Edwards**, Opa-Locka, FL (US)
- (\*\*) Term: **15 Years**
- (21) Appl. No.: **29/673,615**
- (22) Filed: **Dec. 17, 2018**
- (51) **LOC (12) Cl.** ..... **23-04**
- (52) **U.S. Cl.**  
USPC ..... **D23/365**
- (58) **Field of Classification Search**  
USPC ..... D23/209, 358, 355, 364, 365, 386-393  
CPC ..... F24F 13/0218; F24F 13/06; F24F 13/062;  
F24F 2013/0608; F24F 2221/14; B64D  
33/02; B64D 2033/0246; F02C 7/05  
See application file for complete search history.

2015/0096627 A1\* 4/2015 Dailey ..... F02C 7/04  
137/15.1  
2017/0335806 A1\* 11/2017 Kuemmerling .... B01D 46/0005  
2019/0389584 A1\* 12/2019 Saint-Marc ..... F02C 7/04

\* cited by examiner

*Primary Examiner* — Sheryl Lane  
*Assistant Examiner* — Calvin E Vansant  
(74) *Attorney, Agent, or Firm* — The Rapacke Law  
Group, P.A.

(57) **CLAIM**

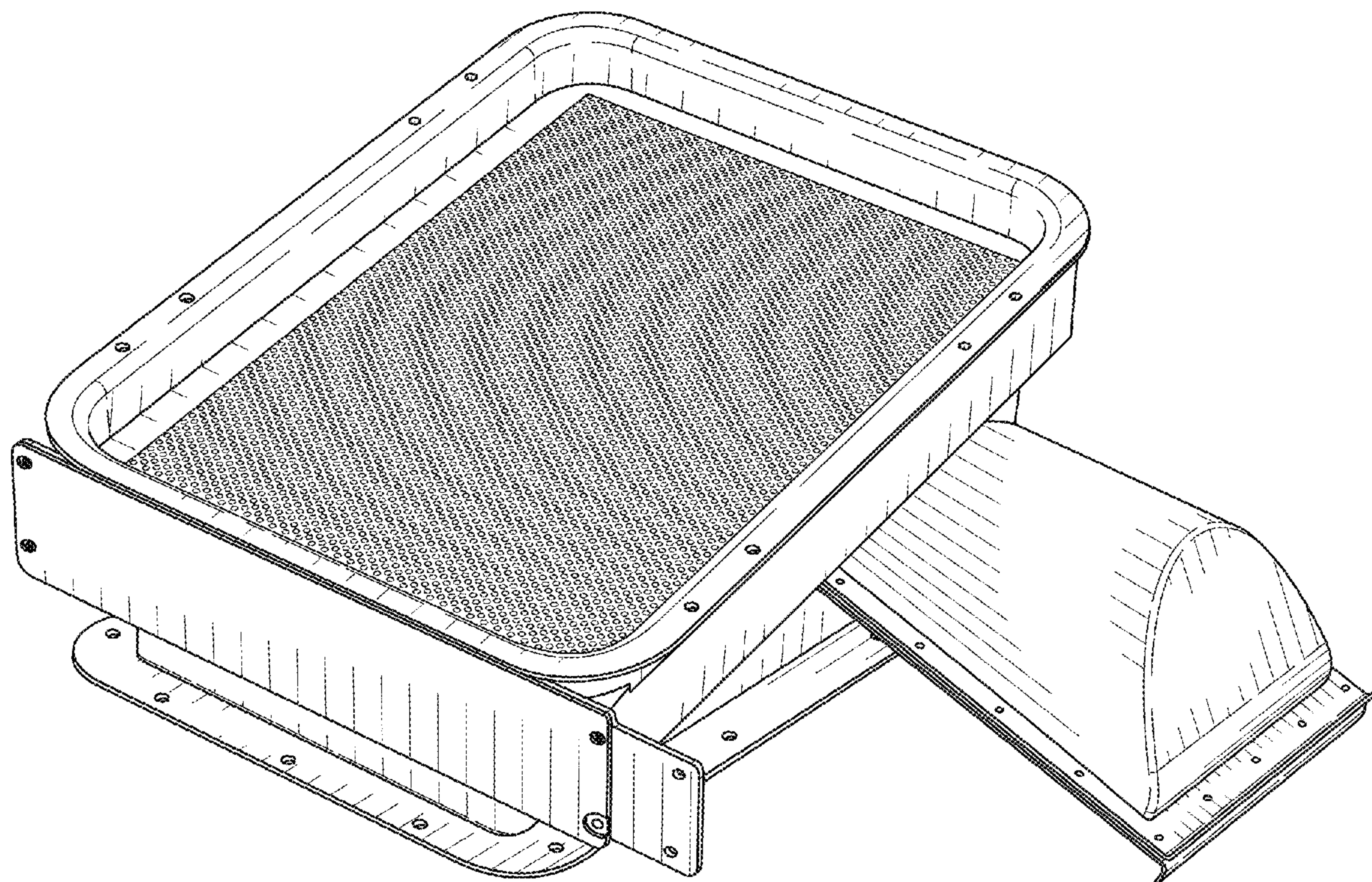
The ornamental design for an inlet barrier filter, as shown and described.

**DESCRIPTION**

FIG. 1 is a front perspective view of the inlet barrier filter showing the new design;  
FIG. 2 is a rear perspective view of the inlet barrier filter thereof;  
FIG. 3 is a front elevational view of the inlet barrier filter thereof;  
FIG. 4 is a rear elevational view of the inlet barrier filter thereof;  
FIG. 5 is a left side elevational view of the inlet barrier filter thereof;  
FIG. 6 is a right side elevational view of the inlet barrier filter thereof;  
FIG. 7 is a top plan view of the inlet barrier filter thereof;  
and,  
FIG. 8 is a bottom plan view of the inlet barrier filter thereof.

**1 Claim, 8 Drawing Sheets**

- (56) **References Cited**  
U.S. PATENT DOCUMENTS  
D536,778 S \* 2/2007 O'Hagin ..... D23/393  
D629,815 S \* 12/2010 Rosenbaum ..... D15/5  
D804,005 S \* 11/2017 Spear ..... B01D 46/0005  
D23/365  
D868,233 S \* 11/2019 Galbreath ..... F02C 7/04  
D23/364





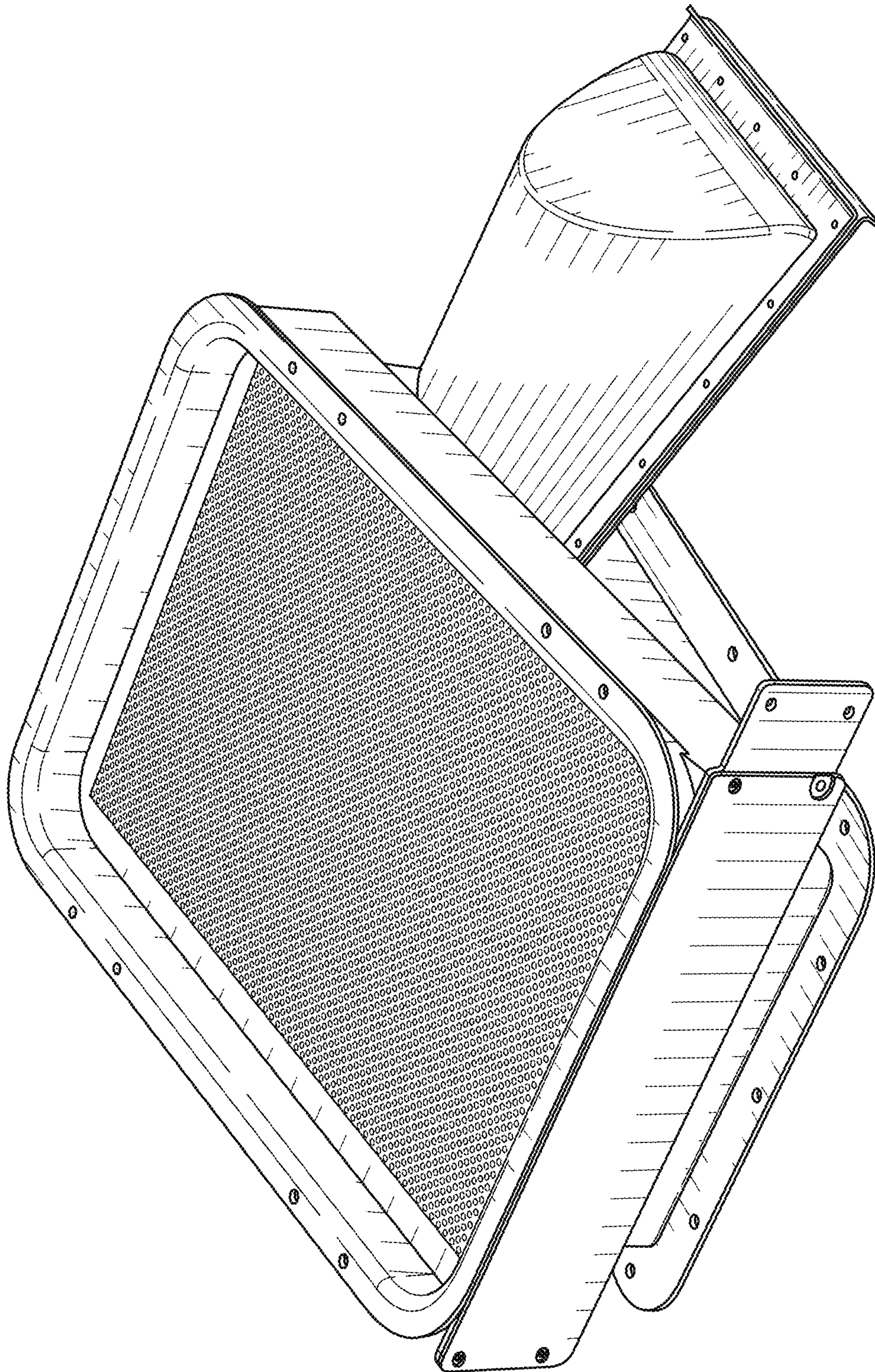


FIG. 1



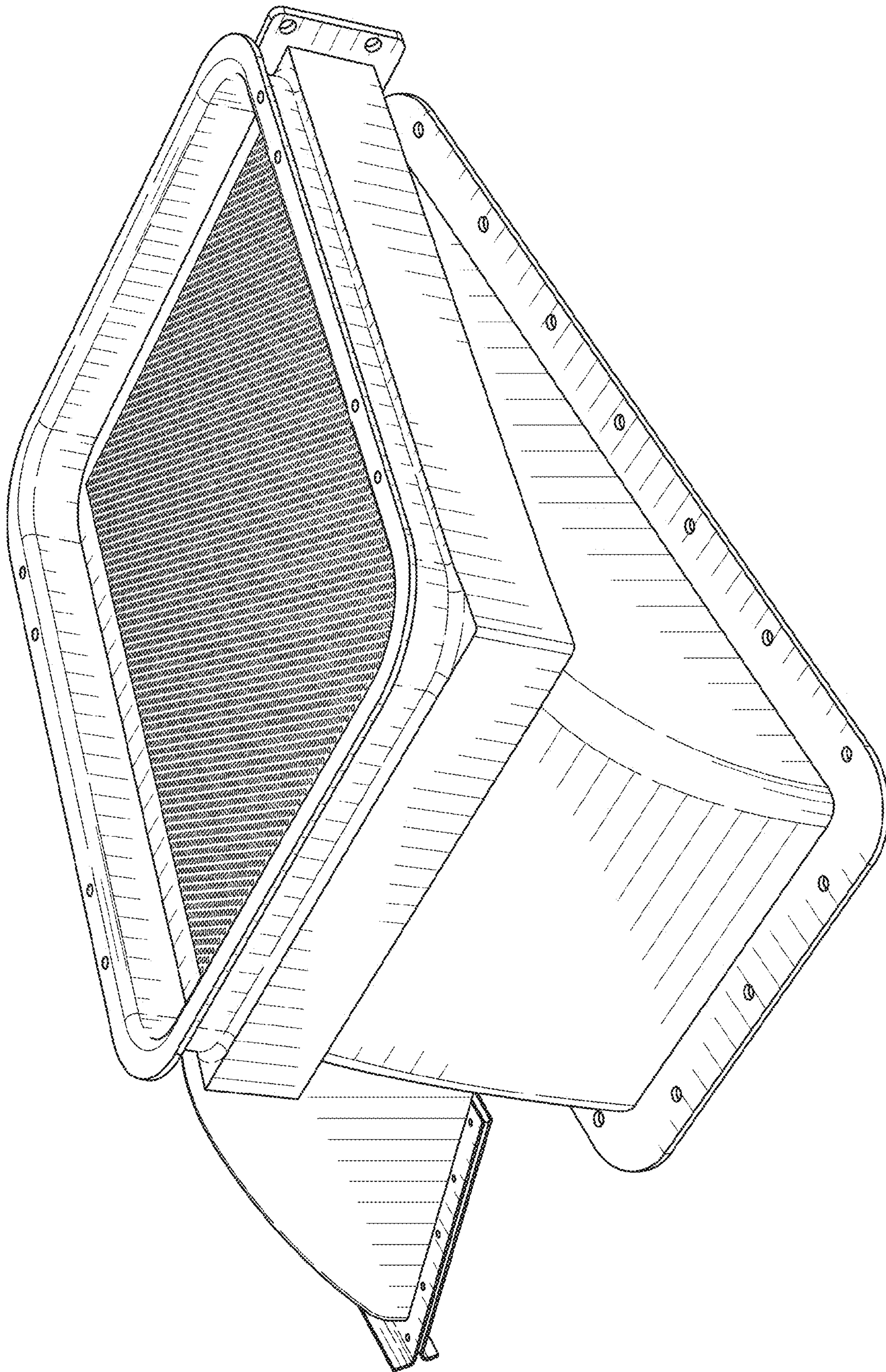


FIG. 2

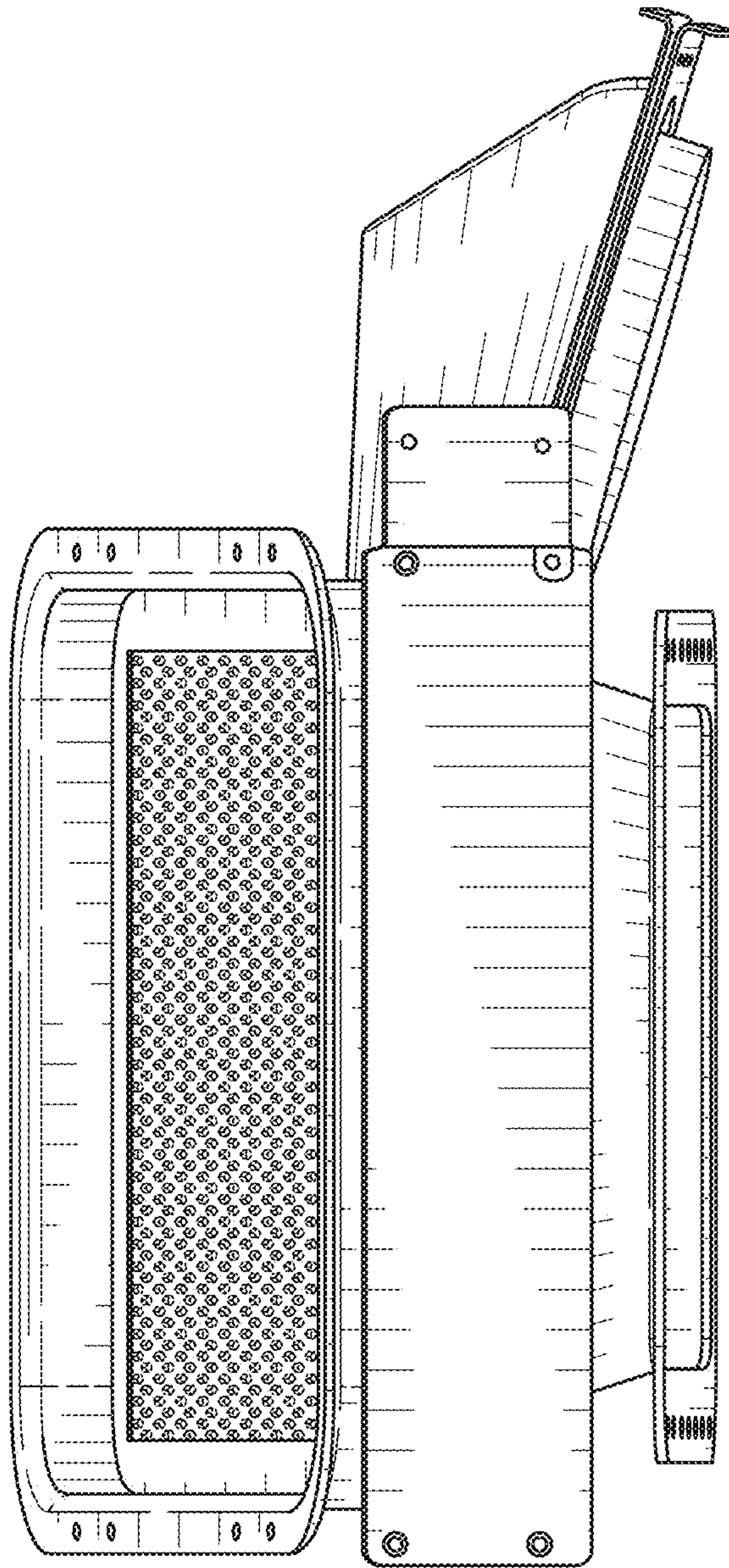


FIG. 3



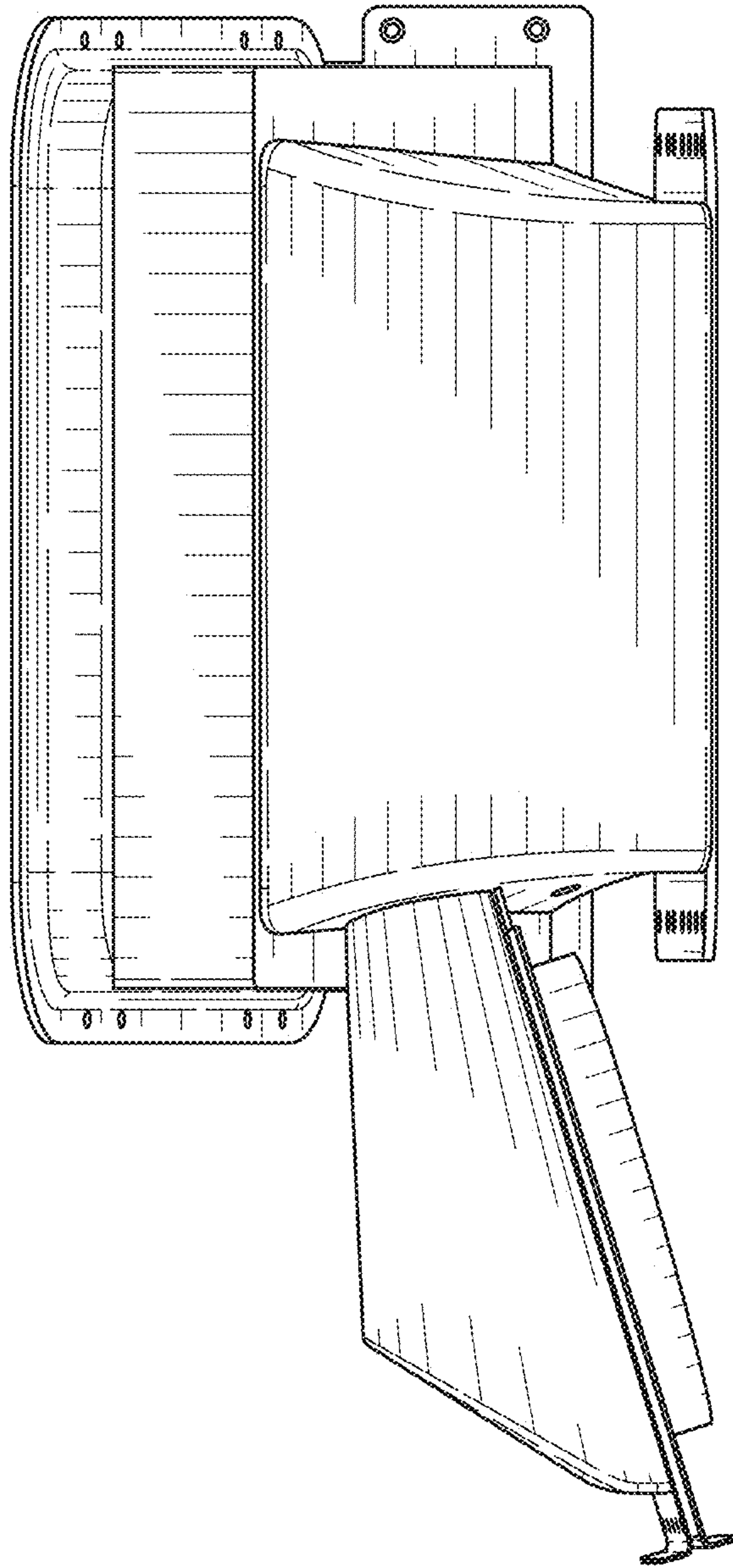


FIG. 4

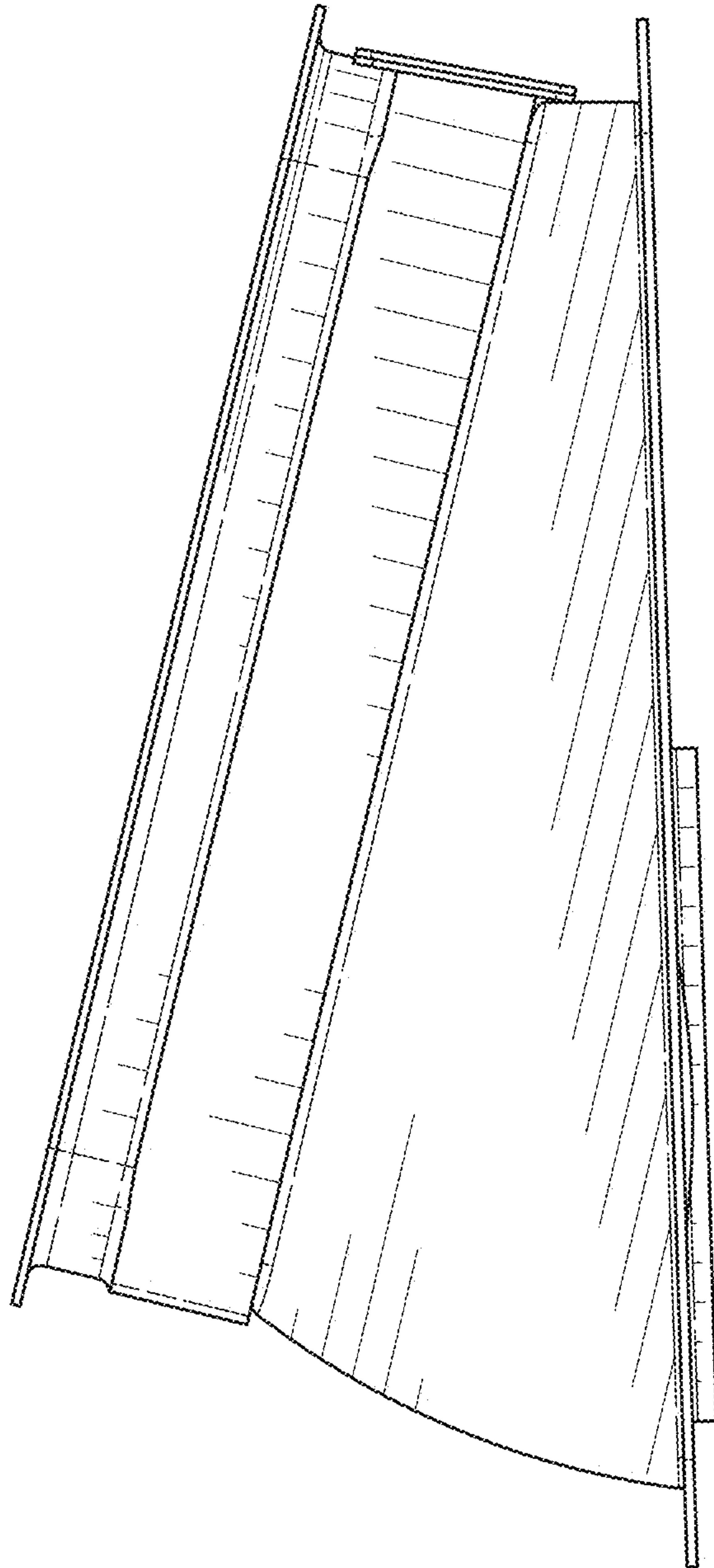


FIG. 5

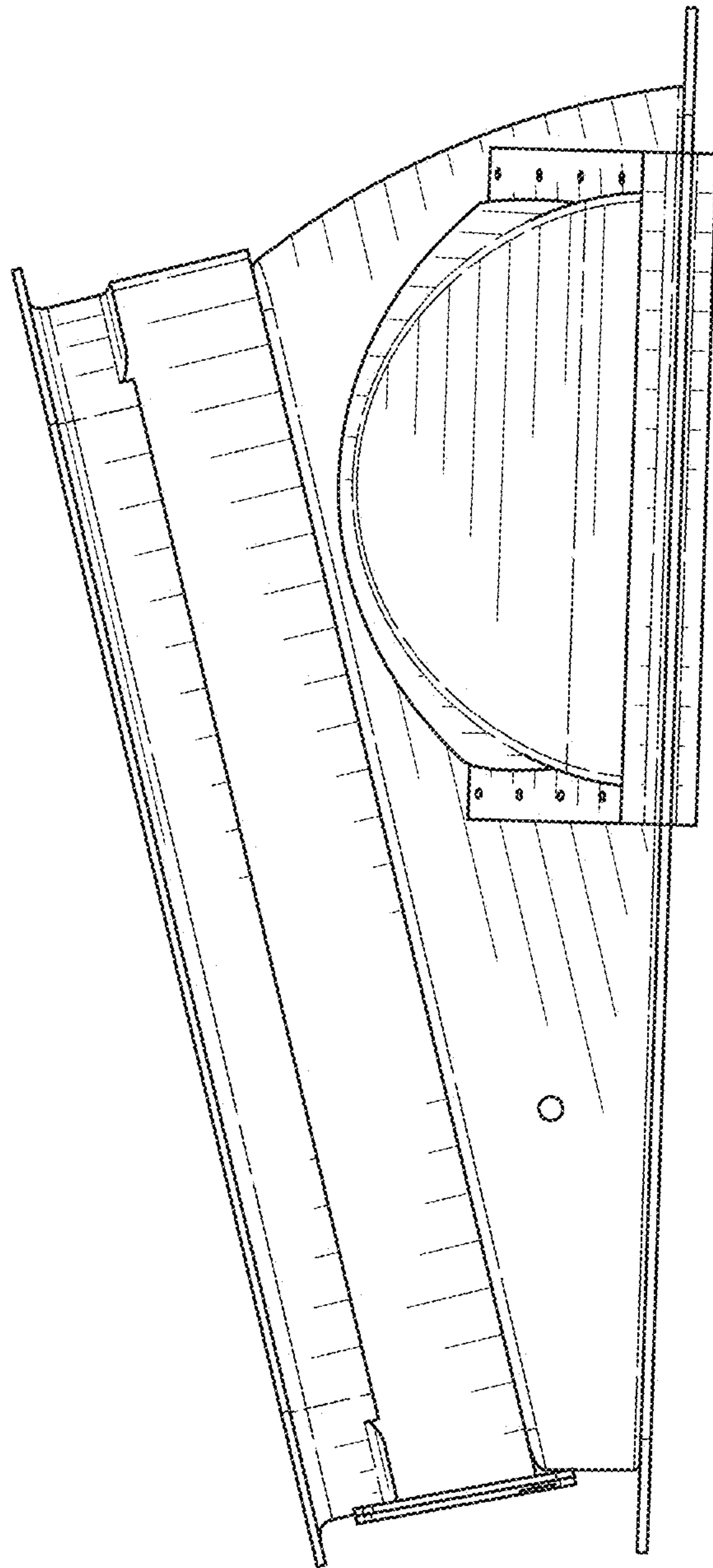
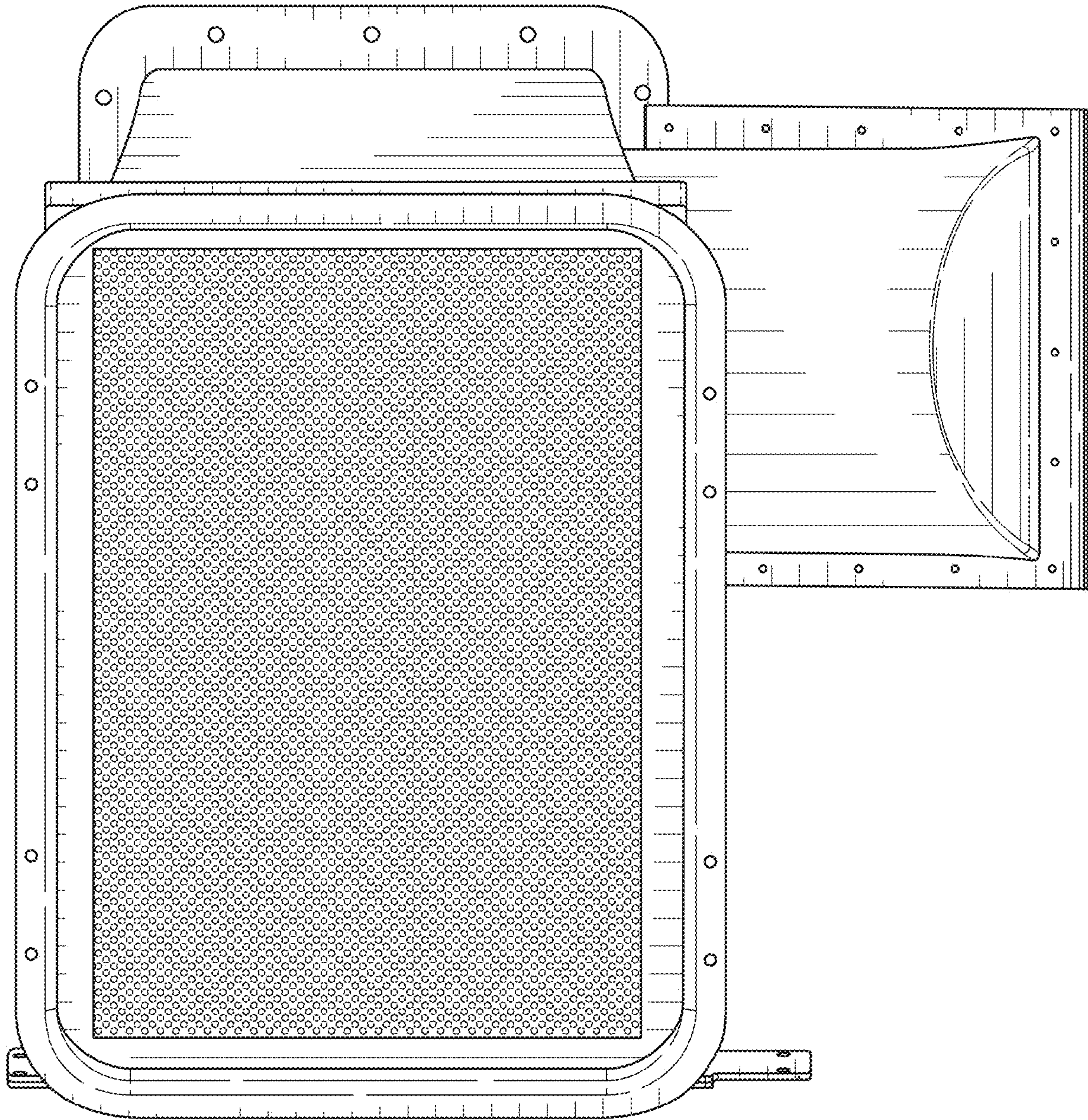


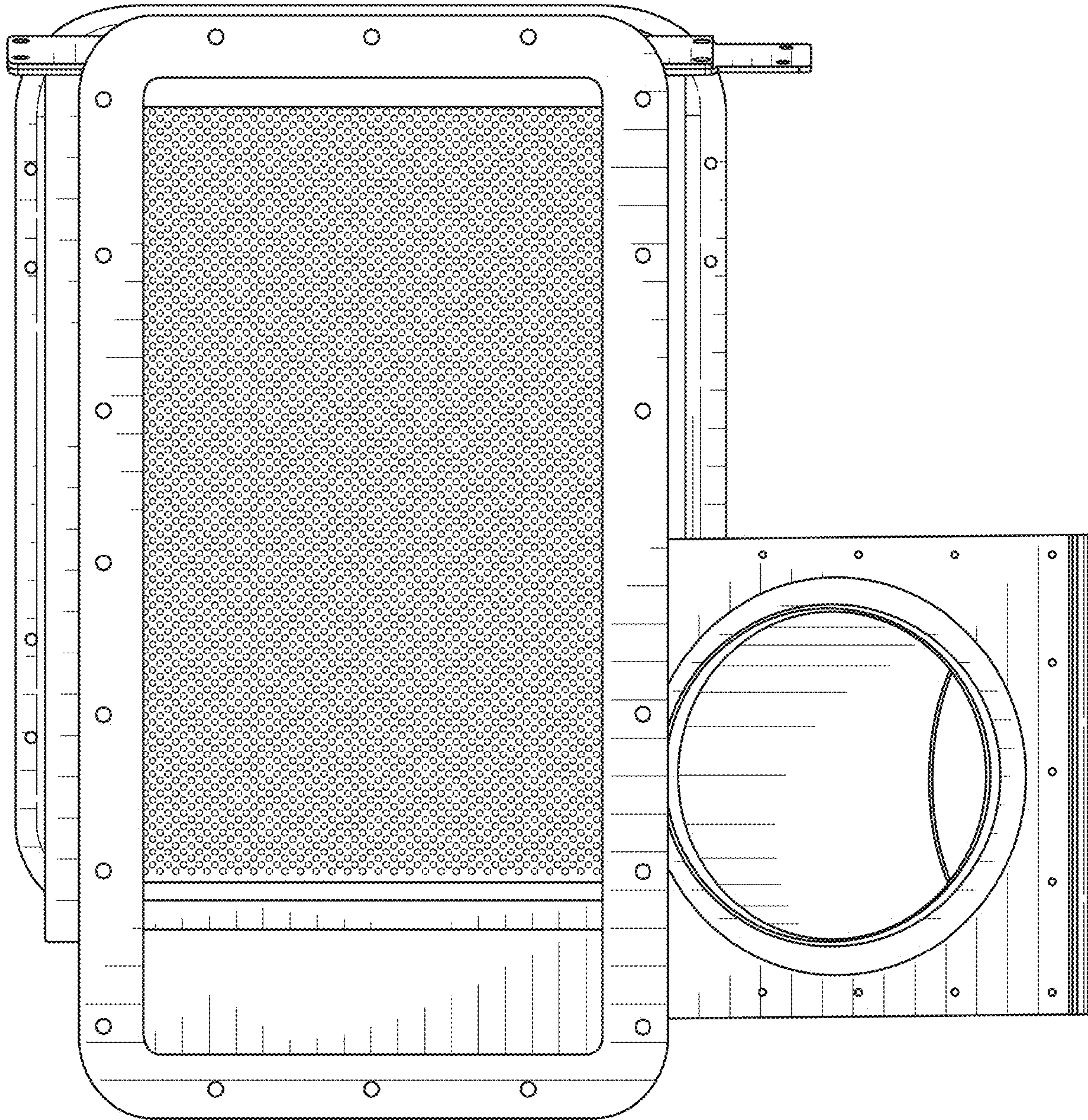
FIG. 6





**FIG. 7**





**FIG. 8**