



US00D883457S

(12) **United States Design Patent** (10) **Patent No.:** **US D883,457 S**  
**Ogg et al.** (45) **Date of Patent:** **\*\* May 5, 2020**

(54) **AIR CONDITIONER**

(71) Applicant: **LG ELECTRONICS INC.**, Seoul (KR)

(72) Inventors: **Anthony Ogg**, Englewood Cliffs, NJ (US); **Jooneun Park**, Seoul (KR); **Jaesang Lee**, Englewood Cliffs, NJ (US)

(73) Assignee: **LG Electronics Inc.**, Seoul (KR)

(\*\*) Term: **15 Years**

(21) Appl. No.: **29/636,666**

(22) Filed: **Feb. 9, 2018**

(51) **LOC (12) Cl.** ..... **23-04**

(52) **U.S. Cl.**  
USPC ..... **D23/351**

(58) **Field of Classification Search**  
USPC ..... D23/333, 351-354, 388  
CPC .... F24F 1/00; F24F 1/0007; F24F 1/02; F24F 1/08; F24F 1/42; F24F 1/56; F24F 1/60; F24F 3/044; F24F 3/048; F24F 3/16; G05D 23/1905; G05D 23/1932; G05D 23/1902; G05D 23/1931; G05B 19/0426; G05B 19/409; G05B 15/02  
See application file for complete search history.

D307,177 S \* 4/1990 Yamazaki ..... D23/353  
D309,180 S \* 7/1990 Moritani ..... D23/353  
D310,411 S \* 9/1990 Lapychak ..... D23/354  
D456,068 S \* 4/2002 Oya ..... D23/353  
D480,791 S \* 10/2003 Phillips ..... D23/353  
D523,943 S \* 6/2006 Oh ..... D23/353  
D524,432 S \* 7/2006 Oh ..... D23/353  
D534,261 S \* 12/2006 Oh ..... D23/353  
D814,624 S \* 4/2018 Freedman ..... D23/395  
D815,266 S \* 4/2018 Ogg ..... D23/353

\* cited by examiner

*Primary Examiner* — Natasha Vujcic

(74) *Attorney, Agent, or Firm* — Birch, Stewart, Kolasch & Birch, LLP

(57) **CLAIM**

The ornamental design for an air conditioner, as shown and described.

**DESCRIPTION**

FIG. 1 is a front, top, right side, perspective view of an air conditioner showing our new design;  
FIG. 2 is a front view thereof;  
FIG. 3 is a rear view thereof;  
FIG. 4 is a left side view thereof;  
FIG. 5 is a right side view thereof;  
FIG. 6 is a top view thereof;  
FIG. 7 is a bottom view thereof; and,  
FIG. 8 is a front, bottom, right side, perspective view thereof.

The parallel fine lines and curves shown in all the drawings indicate the relief of surface of the product.

The broken lines indicate unclaimed portion of the article that form no part of the claimed design.

(56) **References Cited**  
U.S. PATENT DOCUMENTS

D173,248 S \* 10/1954 Wilson ..... D23/353  
D263,495 S \* 3/1982 Hoyle ..... D23/354  
D267,338 S \* 12/1982 Bolton ..... D23/353  
D284,305 S \* 6/1986 Lapychak ..... D23/354

**1 Claim, 5 Drawing Sheets**

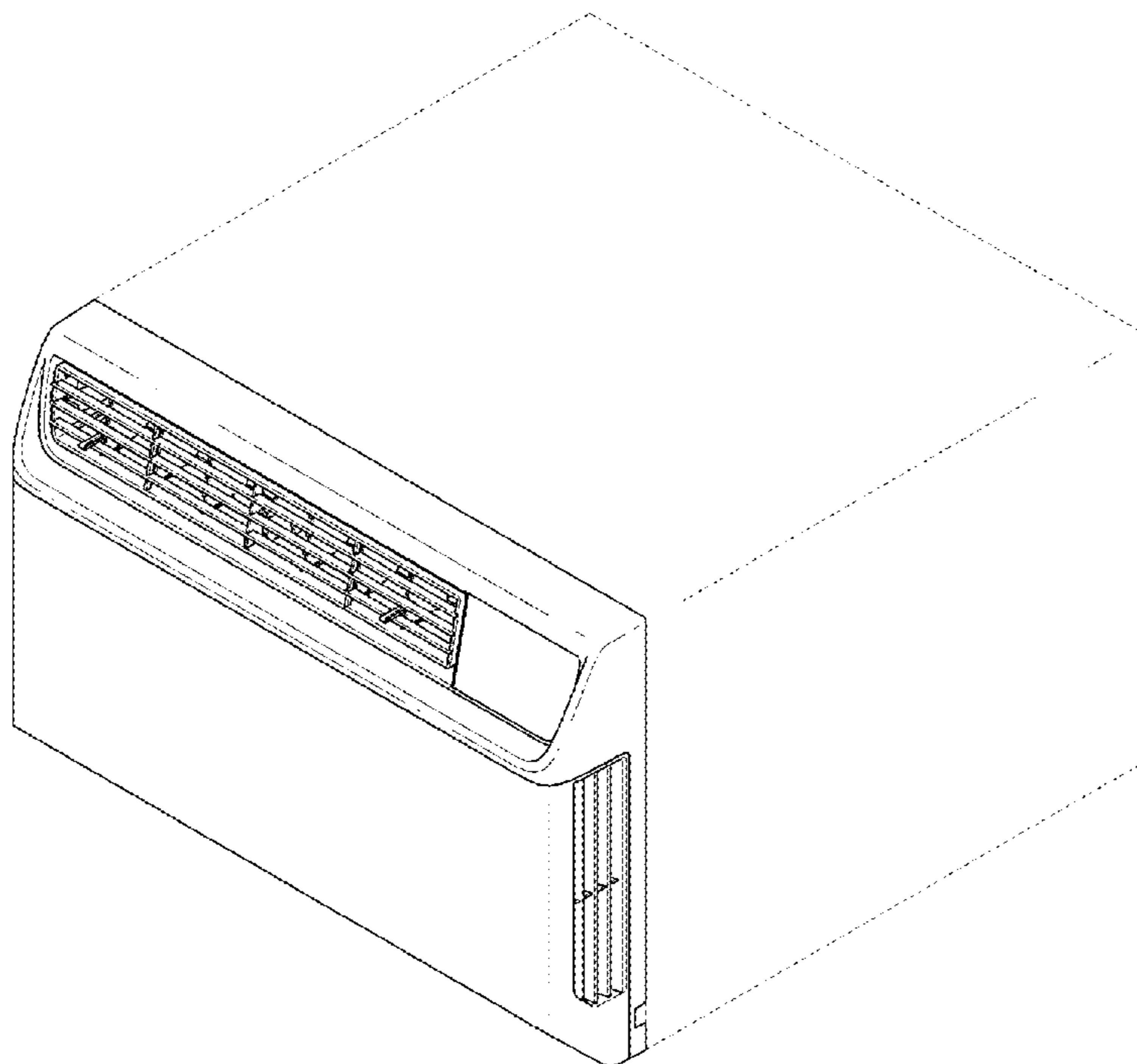


FIG. 1

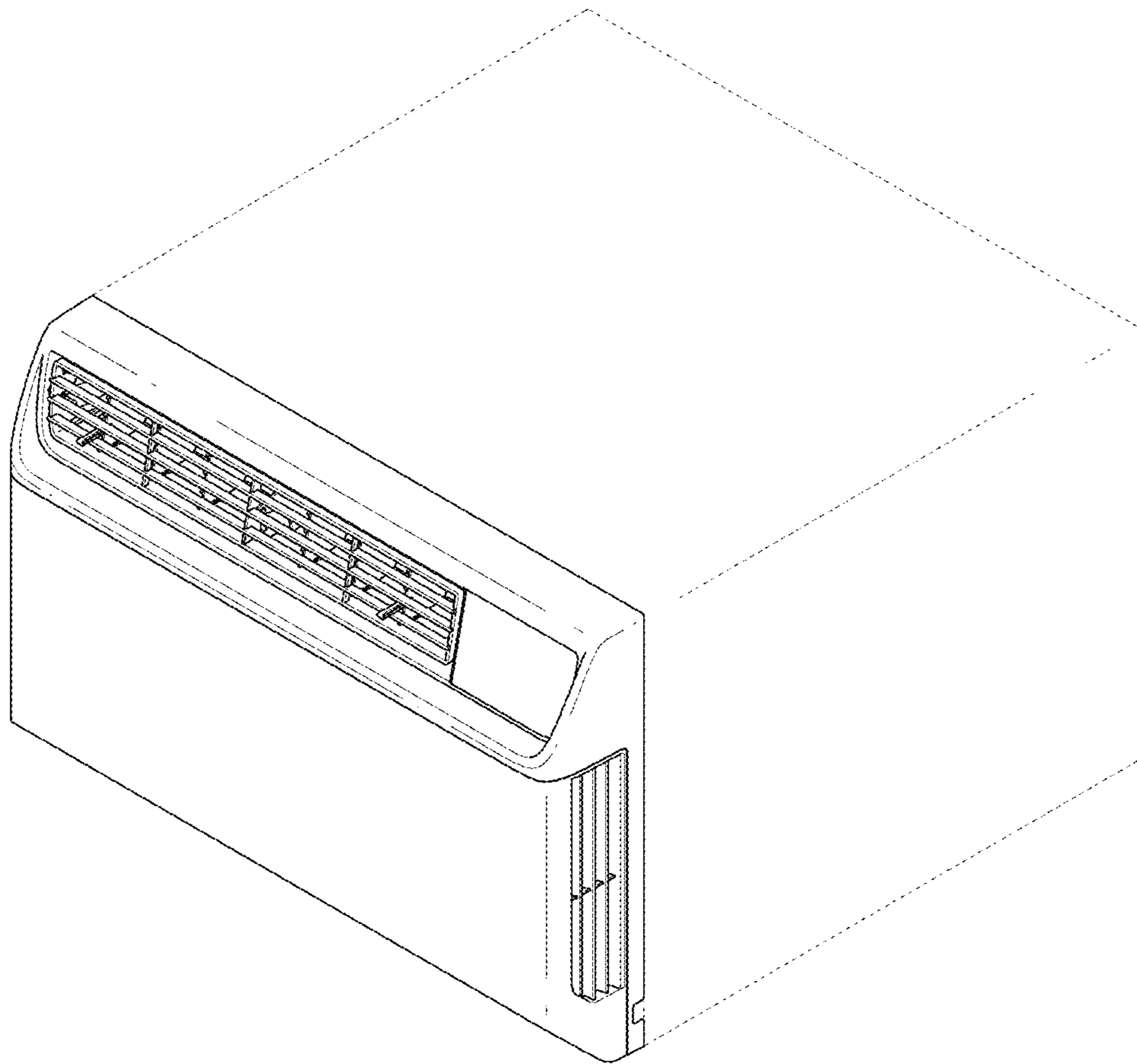


FIG. 2

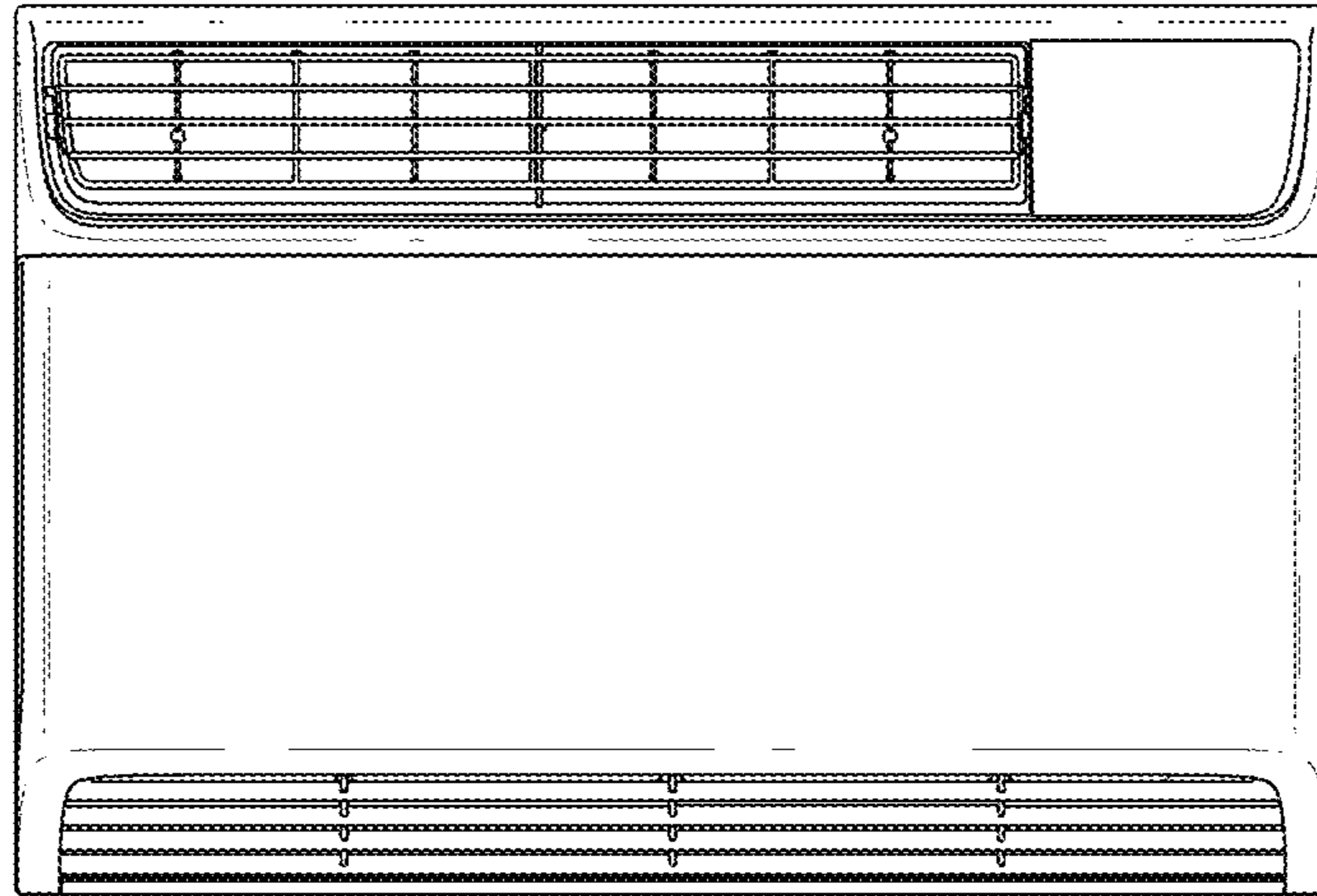


FIG. 3

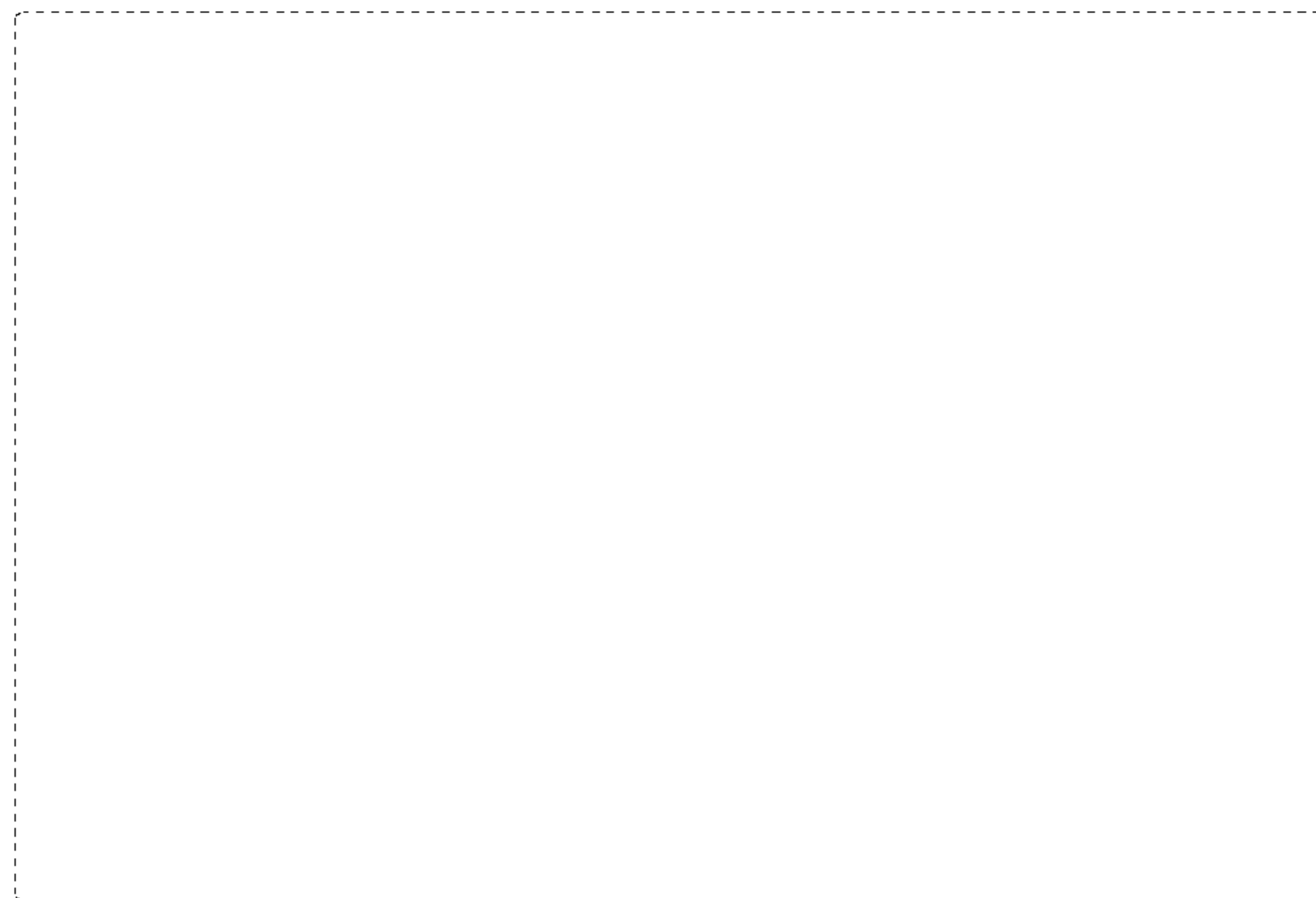


FIG. 4

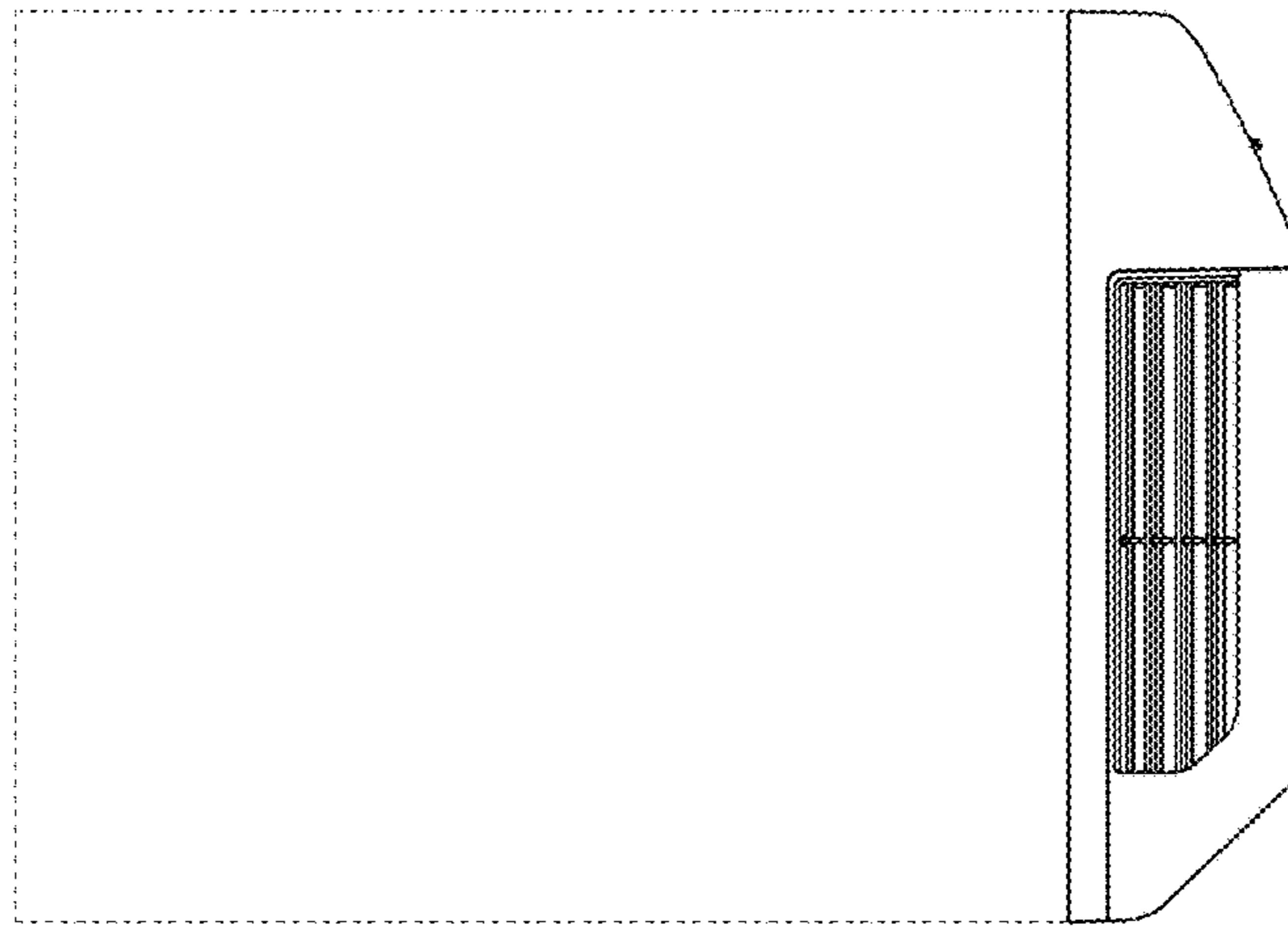


FIG. 5

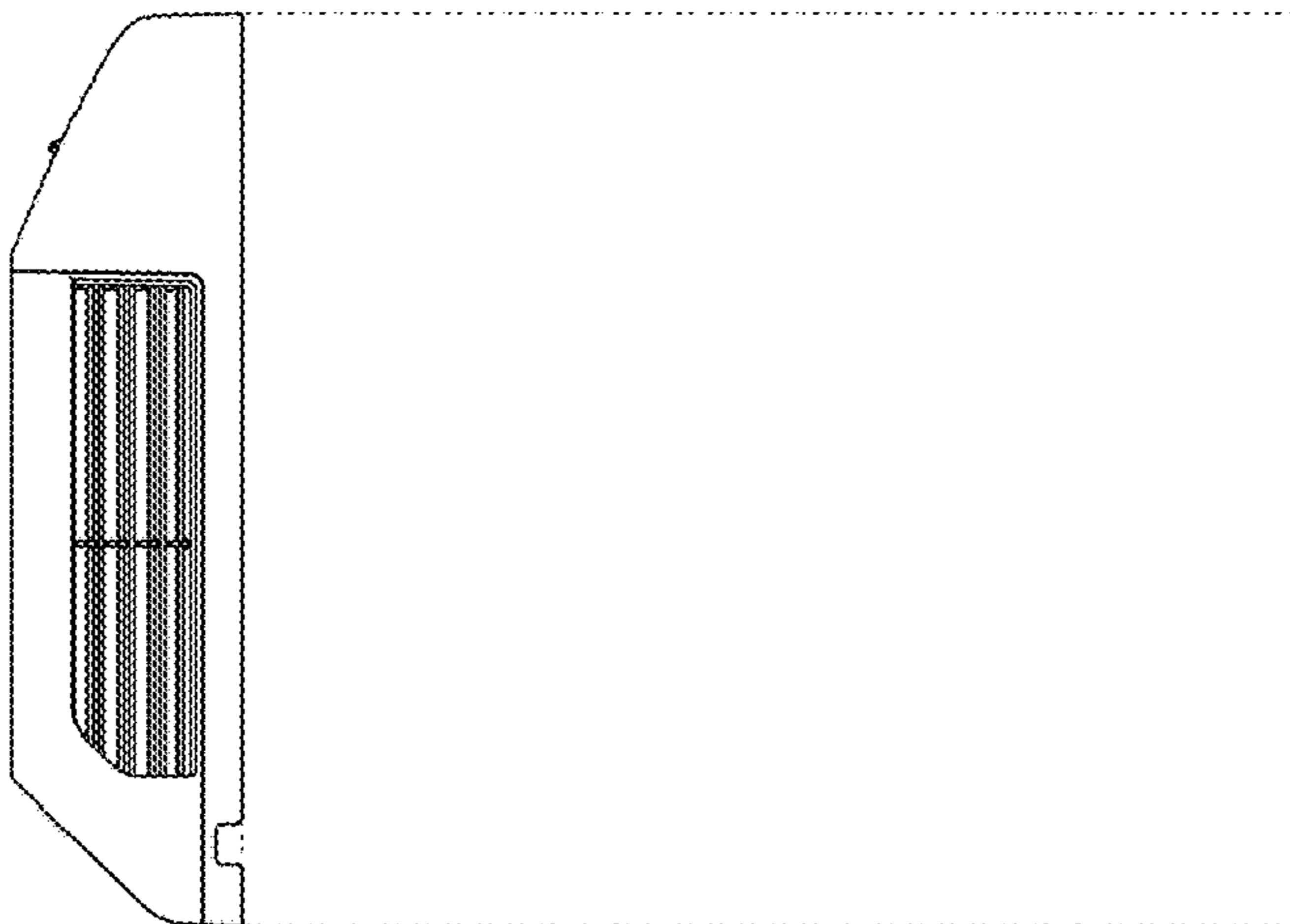


FIG. 6

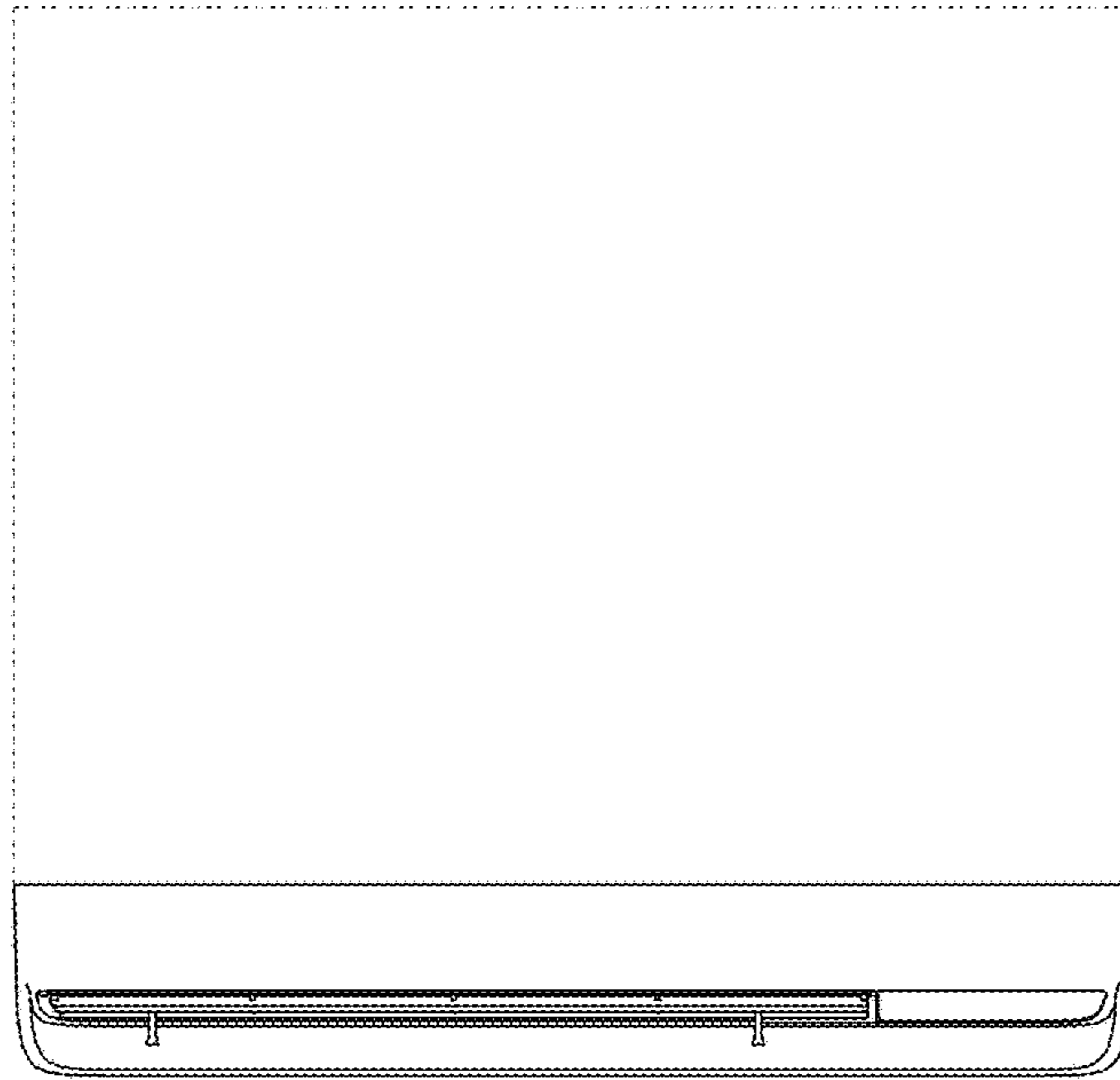


FIG. 7

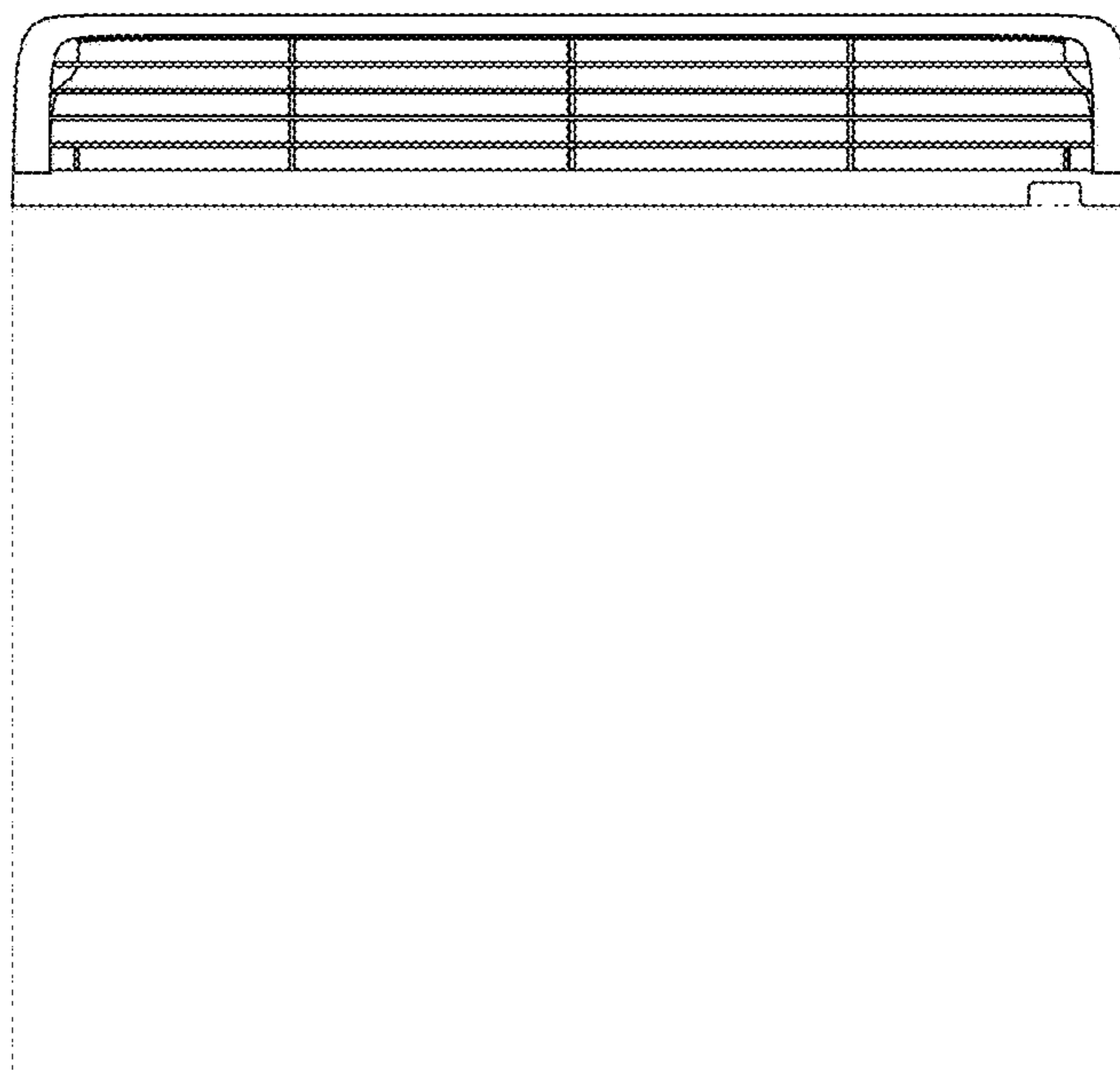


FIG. 8

