



US00D883453S

(12) **United States Design Patent** (10) **Patent No.:** **US D883,453 S**
Dereci (45) **Date of Patent:** **** May 5, 2020**

(54) **COLLAPSIBLE BIDET**

(71) Applicant: **Mark Dereci**, Chatsworth, CA (US)

(72) Inventor: **Mark Dereci**, Chatsworth, CA (US)

(**) Term: **15 Years**

(21) Appl. No.: **29/647,903**

(22) Filed: **May 16, 2018**

(51) **LOC (12) Cl.** **23-02**

(52) **U.S. Cl.**
USPC **D23/299**

(58) **Field of Classification Search**

USPC D23/295–301, 303, 309, 311–313
CPC A47K 11/02; A47K 11/026; A47K 11/00;
A47K 13/00; E03D 11/18; E03D 5/10;
E03D 13/00

See application file for complete search history.

(56) **References Cited**

U.S. PATENT DOCUMENTS

D383,199 S *	9/1997	Nodo	D23/299
D410,739 S *	6/1999	Reeves-Artison	D23/299
6,666,329 B1	12/2003	Charbonneau		
D585,970 S	2/2009	Dereci		
D664,003 S	7/2012	Nagoya		
D710,650 S *	8/2014	Blum	D7/510
8,887,942 B2	11/2014	Mikovsky et al.		
9,119,507 B2 *	9/2015	Abrams	A47J 41/0022
D743,011 S *	11/2015	Woodside	D23/299
D756,705 S	5/2016	Abrams et al.		
D764,032 S *	8/2016	Schmitt	D23/299
D777,520 S *	1/2017	Singlaub	D7/512
D779,886 S	2/2017	Singlaub		
D797,908 S *	9/2017	Dam	D23/299
D828,068 S *	9/2018	Tsui	D7/313
2012/0205371 A1 *	8/2012	Lee	A45K 3/20 220/8

(Continued)

OTHER PUBLICATIONS

Teah Tesh Portable Bidet [Oct. 17, 2019] found online [Oct. 17, 2019]—<https://www.dokkanafkar.com/en/Tesh-Tesh-Portable-Bidet>.*

Primary Examiner — Brandon M Rosati

Assistant Examiner — John A Voytek

(74) *Attorney, Agent, or Firm* — Kelly & Kelley, LLP

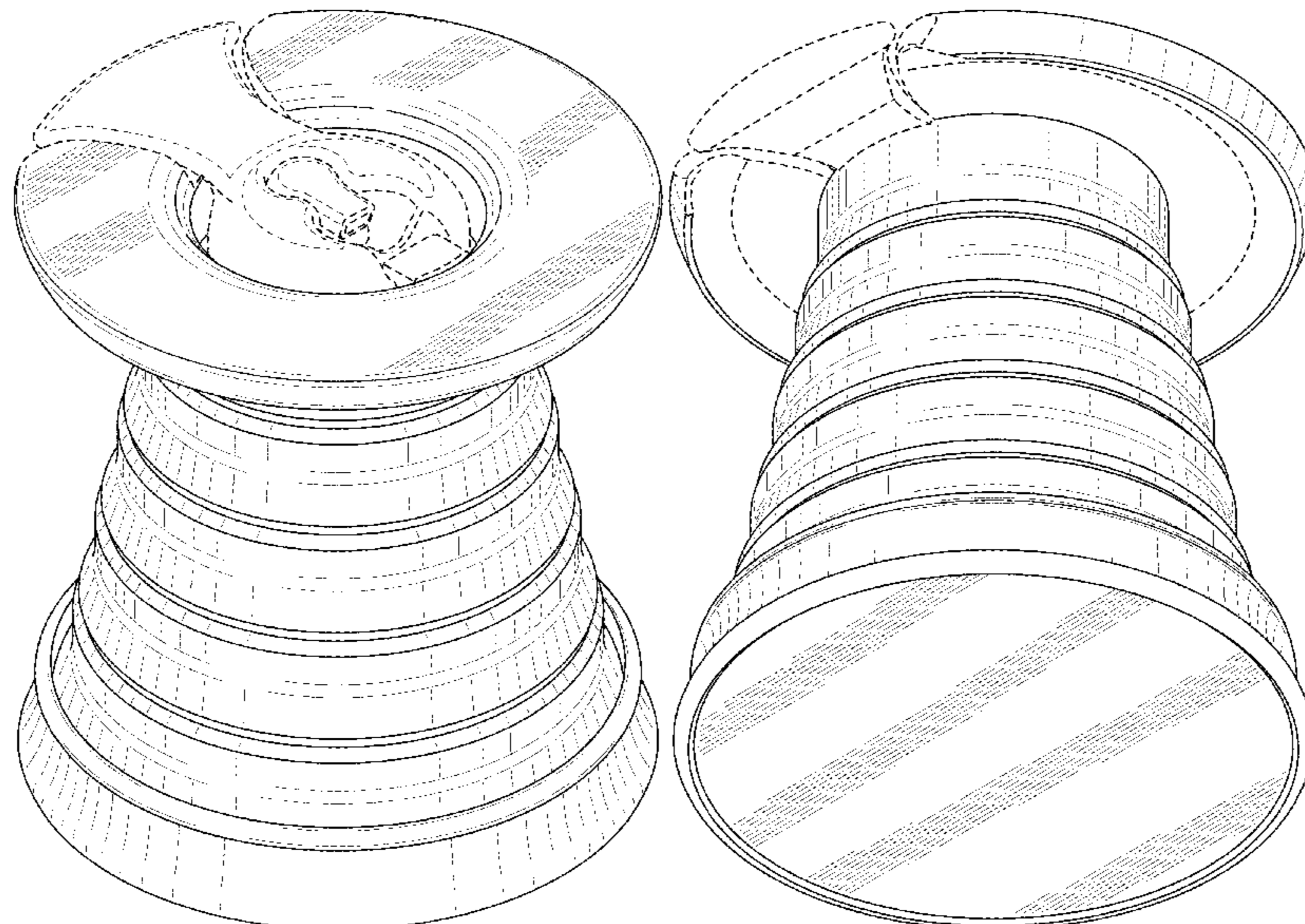
(57) **CLAIM**

The ornamental design for a collapsible bidet, as shown.

DESCRIPTION

FIG. 1 is a top perspective view of a collapsible bidet in an expanded state, showing my new design;
 FIG. 2 is a bottom perspective view thereof;
 FIG. 3 is a front view thereof;
 FIG. 4 is a rear view thereof;
 FIG. 5 is a side view thereof, the opposite side being a mirror image thereof;
 FIG. 6 is a top view thereof;
 FIG. 7 is a bottom view thereof;
 FIG. 8 is a top perspective view of the collapsible bidet in a collapsed state;
 FIG. 9 is a bottom perspective view of the collapsible bidet in a collapsed state;
 FIG. 10 is a front view of the collapsible bidet in a collapsed state;
 FIG. 11 is a rear view of the collapsible bidet in a collapsed state;
 FIG. 12 is a side view of the collapsible bidet in a collapsed state, the opposite side being a mirror image thereof;
 FIG. 13 is a top view of the collapsible bidet in a collapsed state; and,
 FIG. 14 is a bottom view of the collapsible bidet in a collapsed state.
 The broken lines in the drawings depict portions of the collapsible bidet that form no part of the claimed design.

1 Claim, 11 Drawing Sheets



(56)

References Cited

U.S. PATENT DOCUMENTS

2013/0264340 A1* 10/2013 Zens B65D 21/086
220/8
2013/0277364 A1* 10/2013 Kusuma A45F 3/20
220/8
2013/0284753 A1* 10/2013 Kellmann B65F 1/02
220/666
2015/0053700 A1 2/2015 Pierson et al.

* cited by examiner

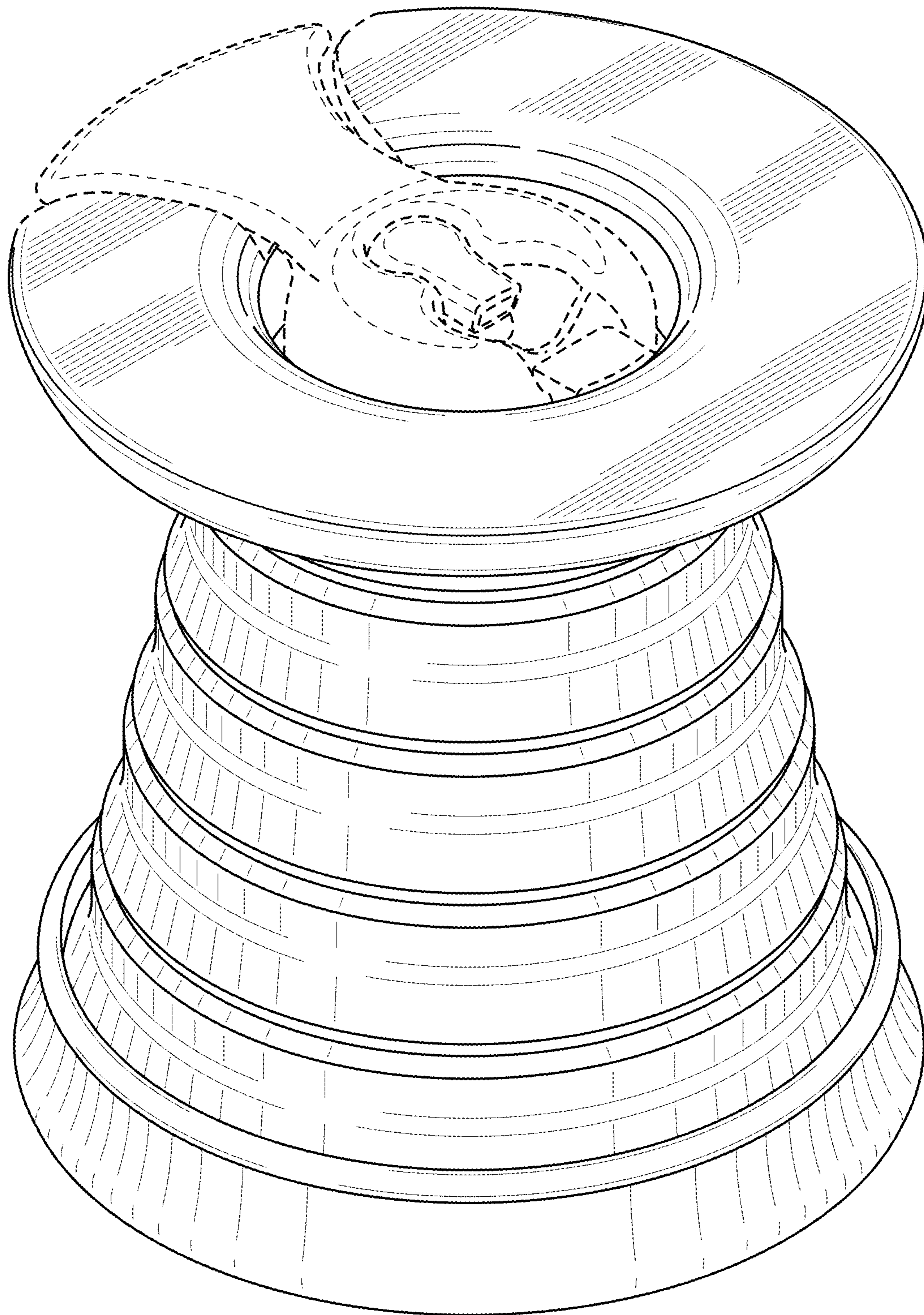


FIG. 1

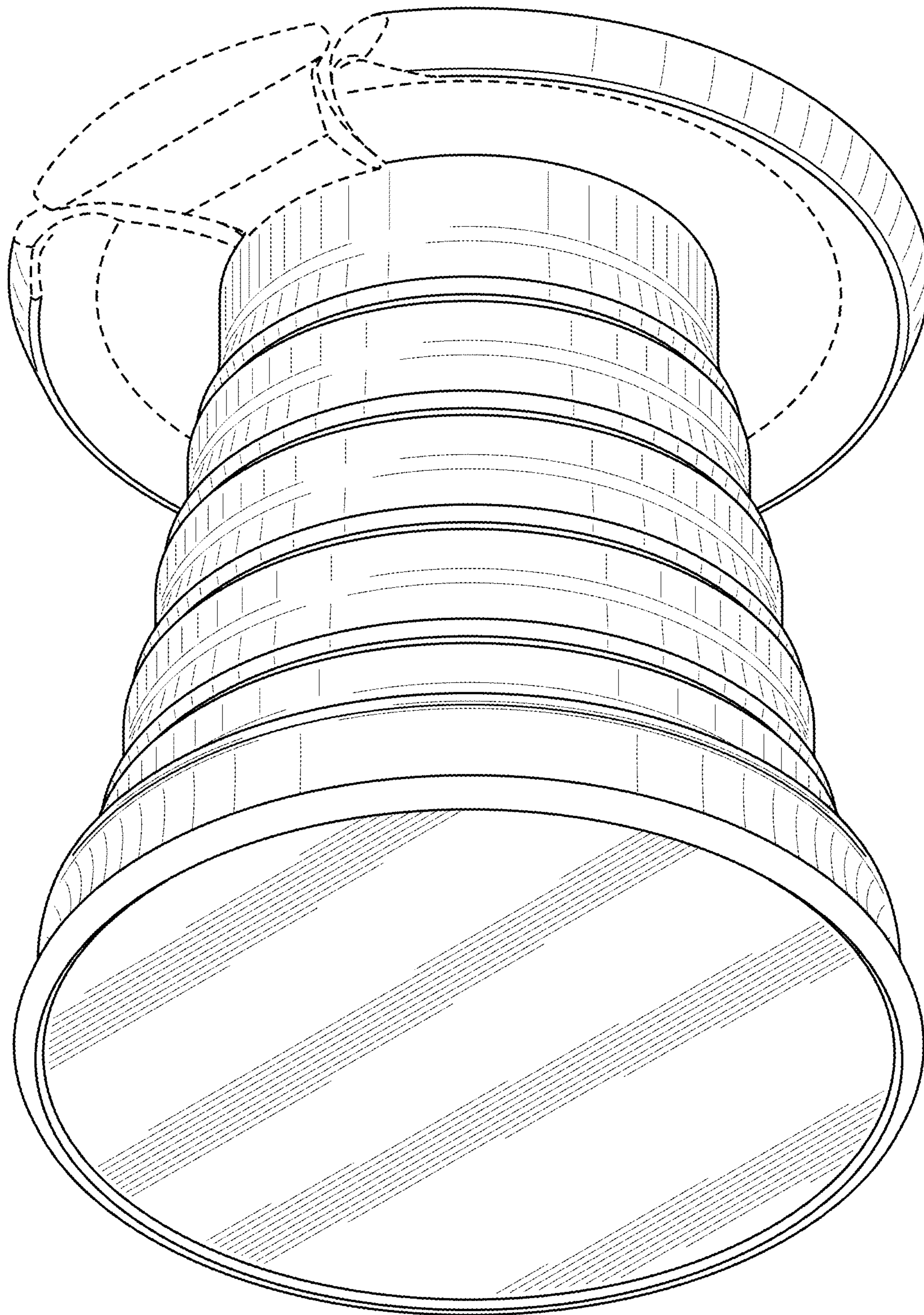


FIG. 2

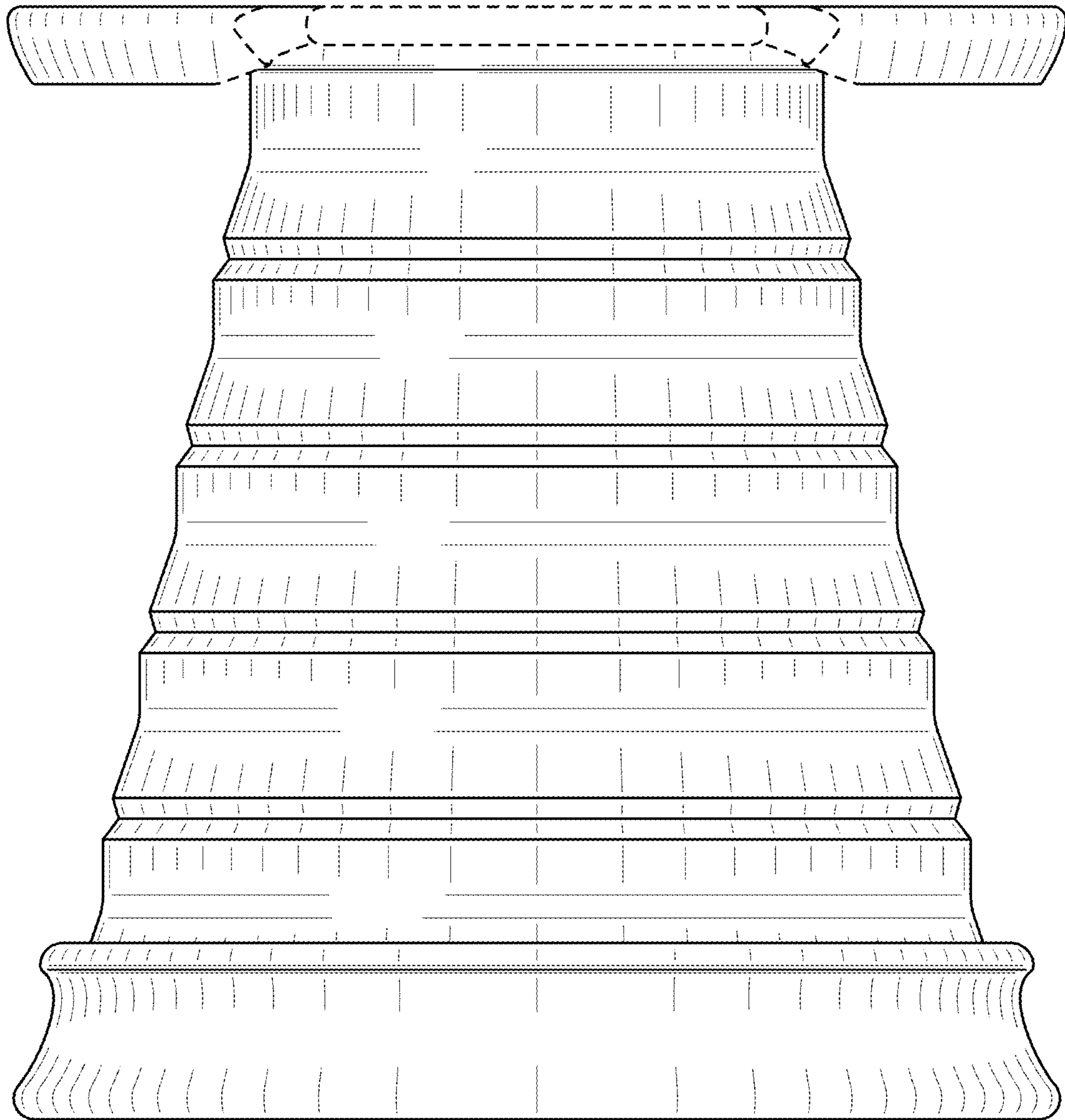


FIG. 3

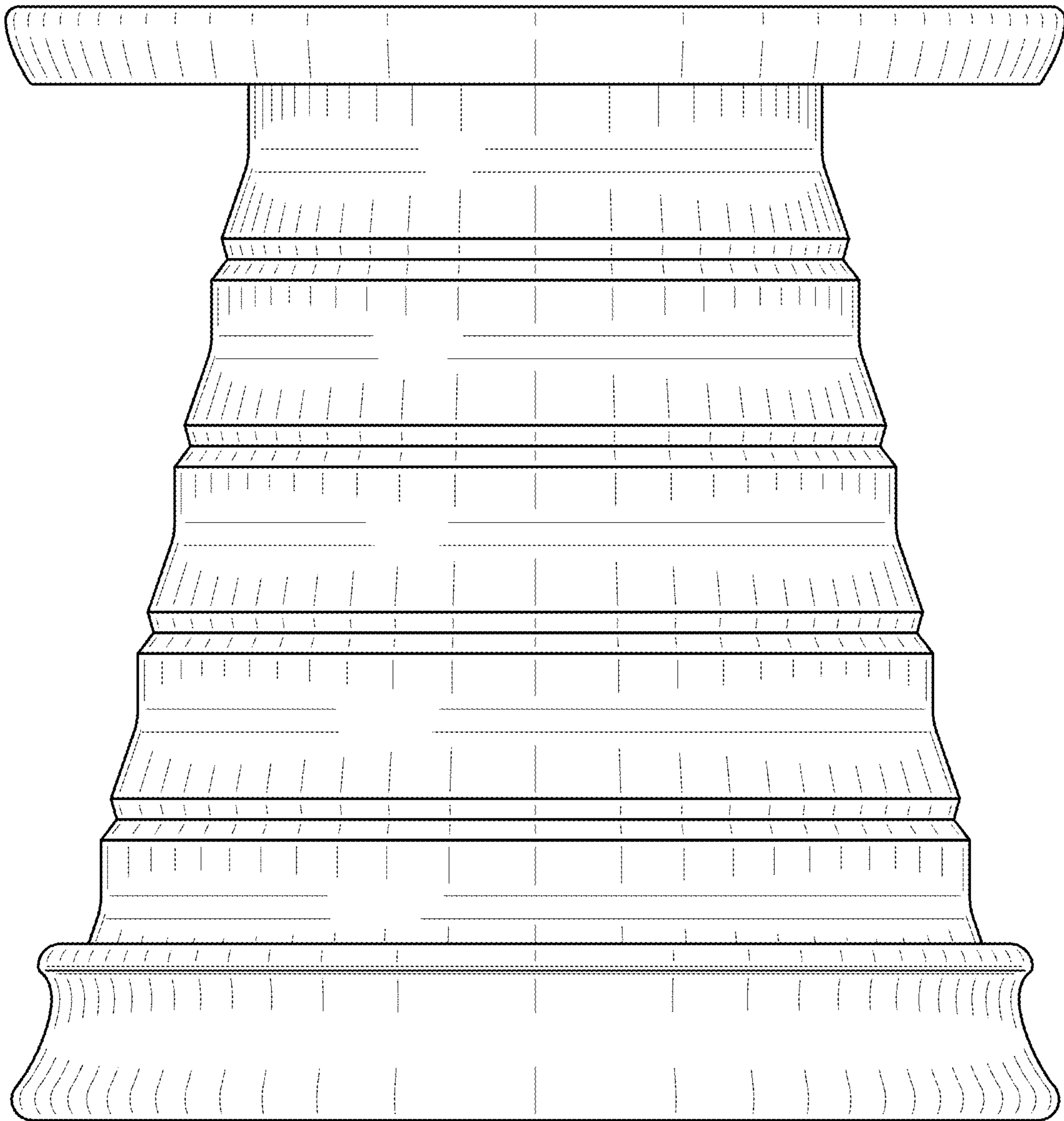


FIG. 4

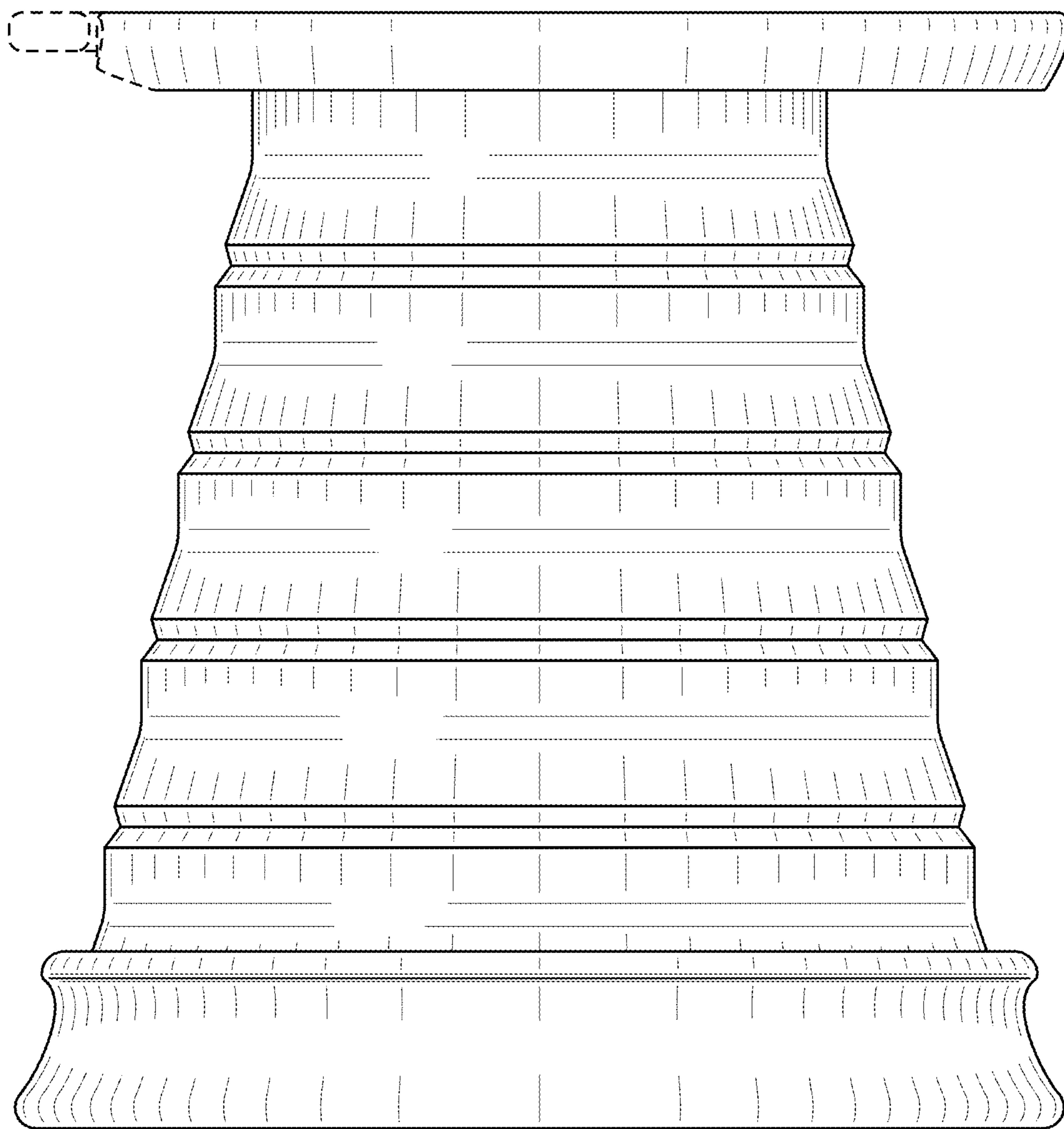


FIG. 5

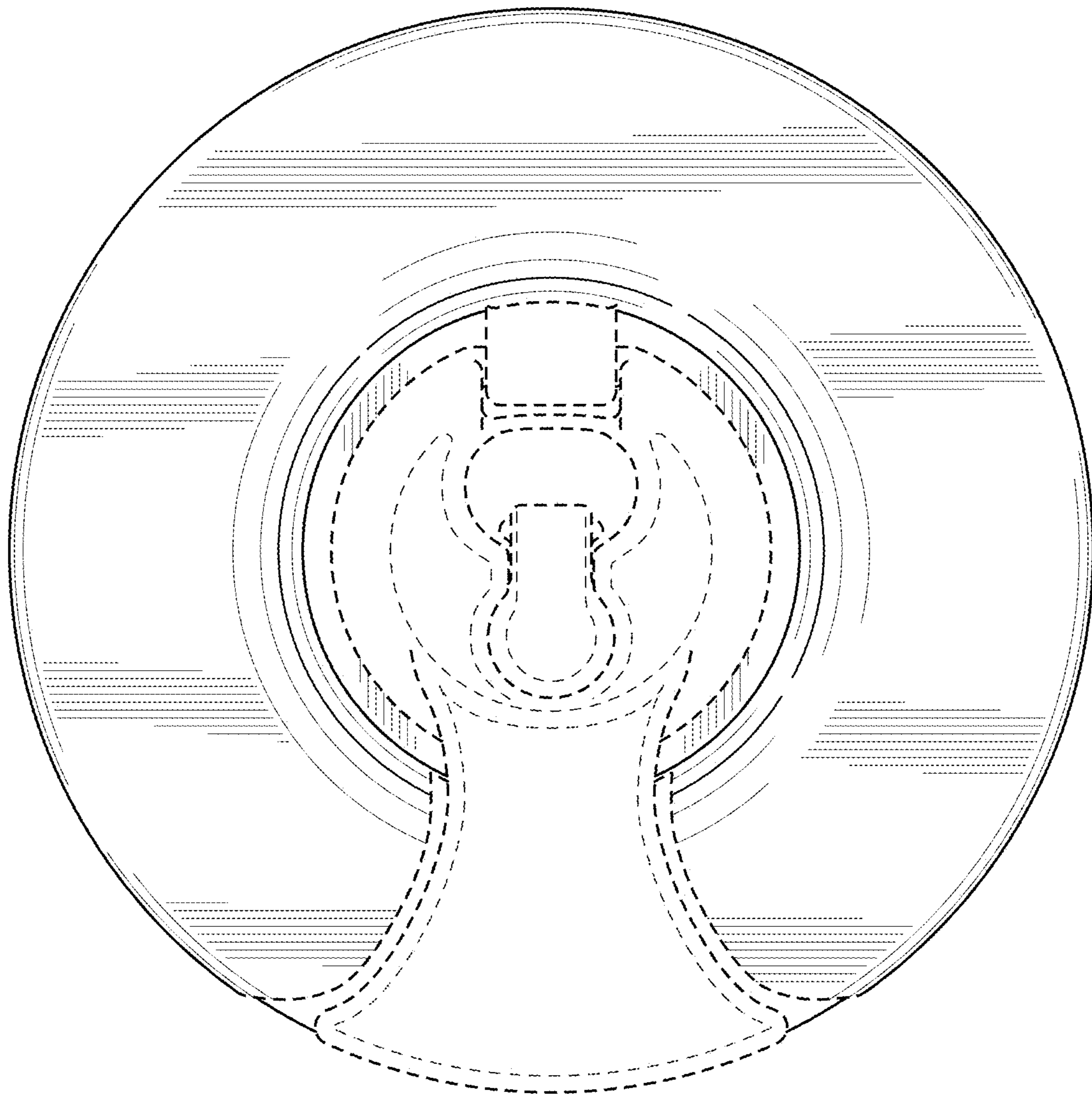


FIG. 6

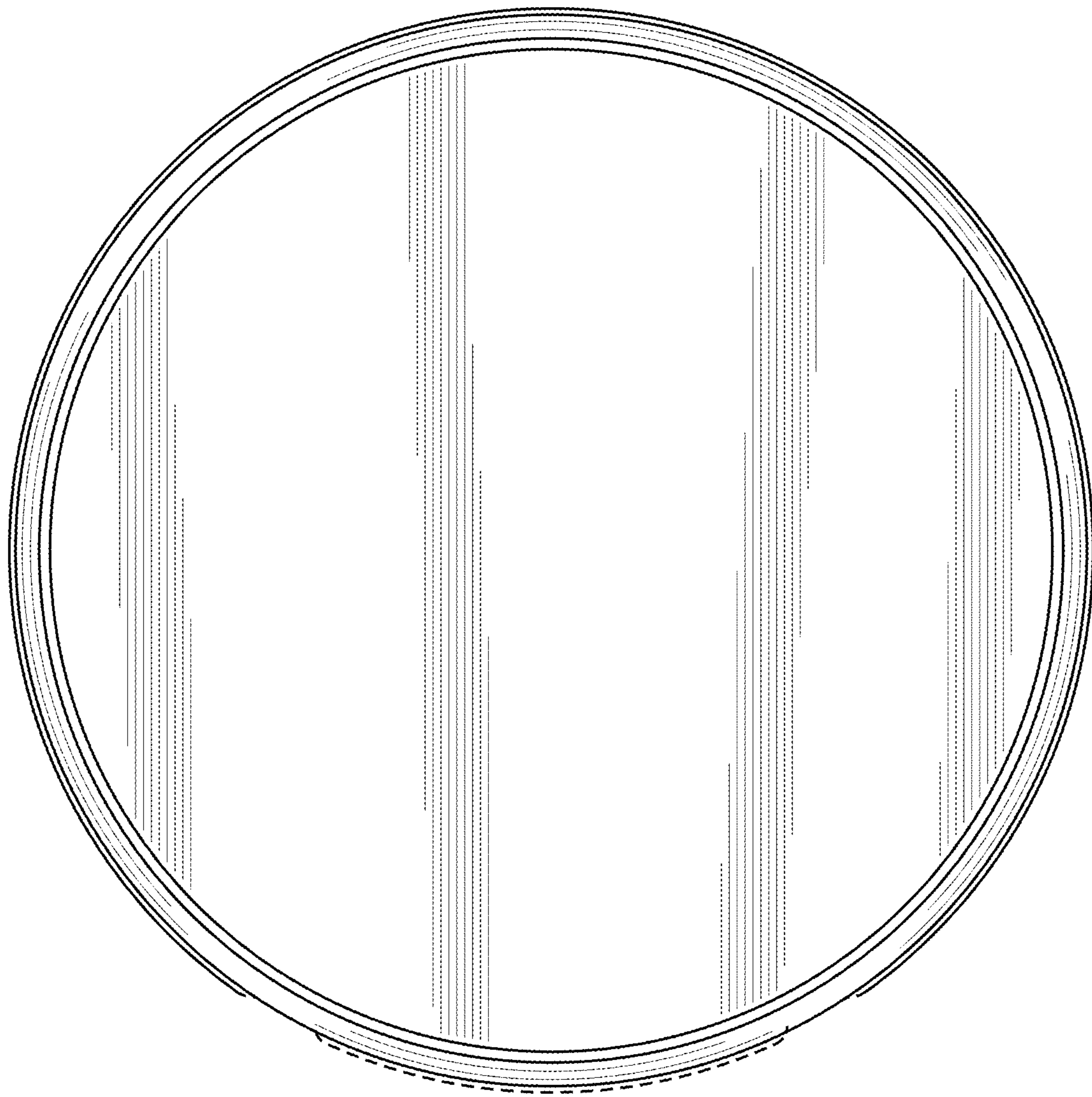


FIG. 7

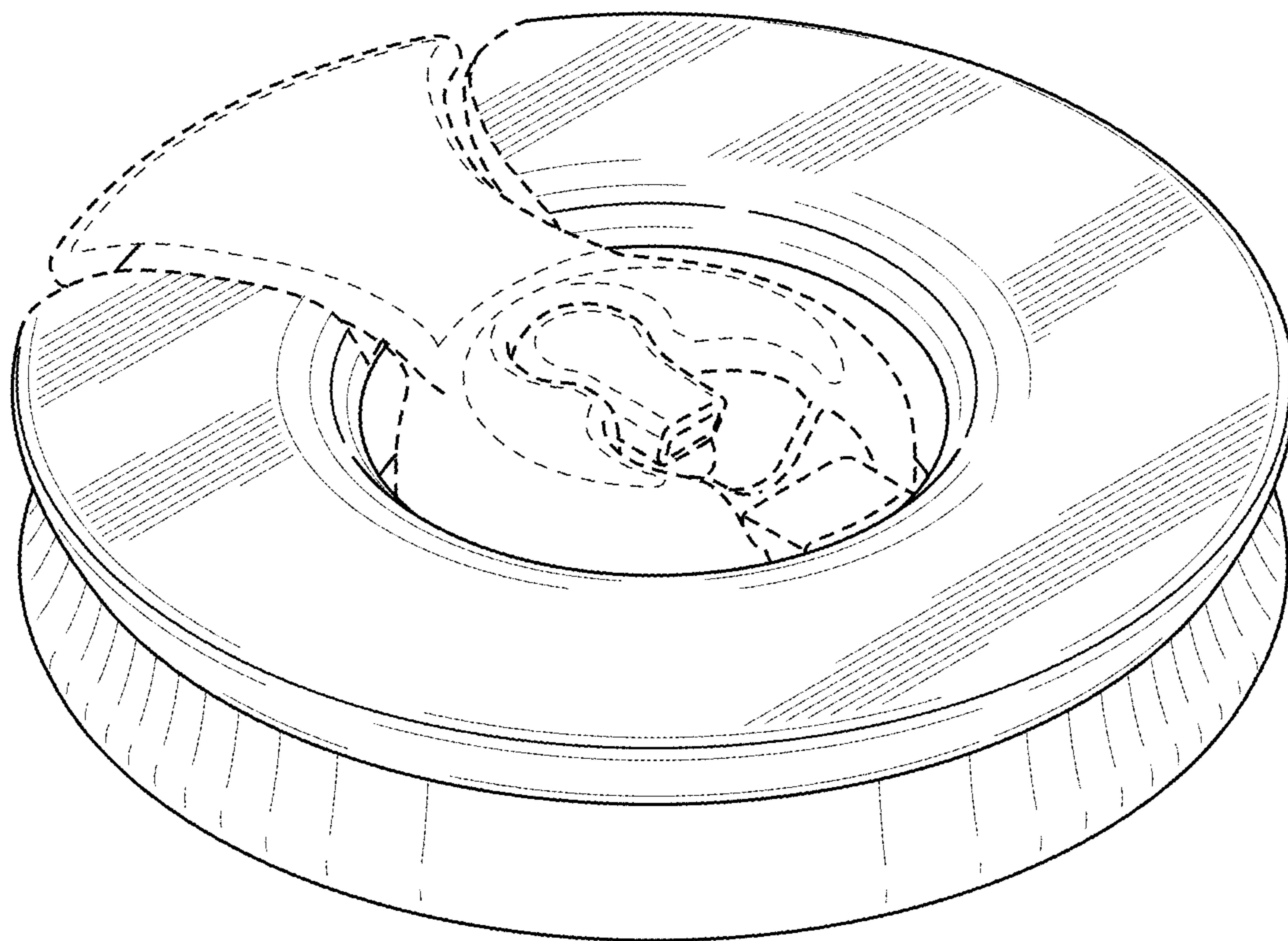


FIG. 8

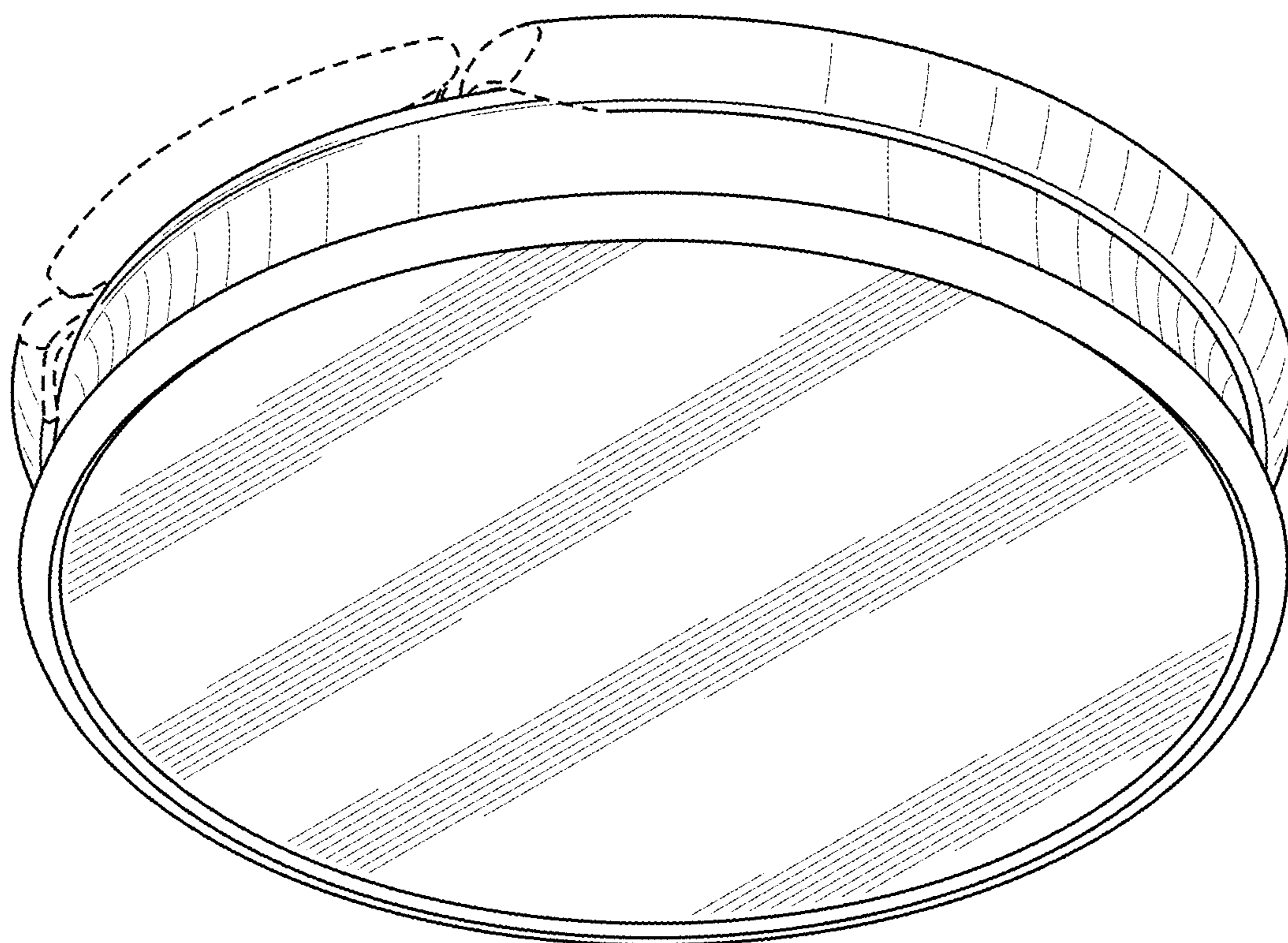


FIG. 9

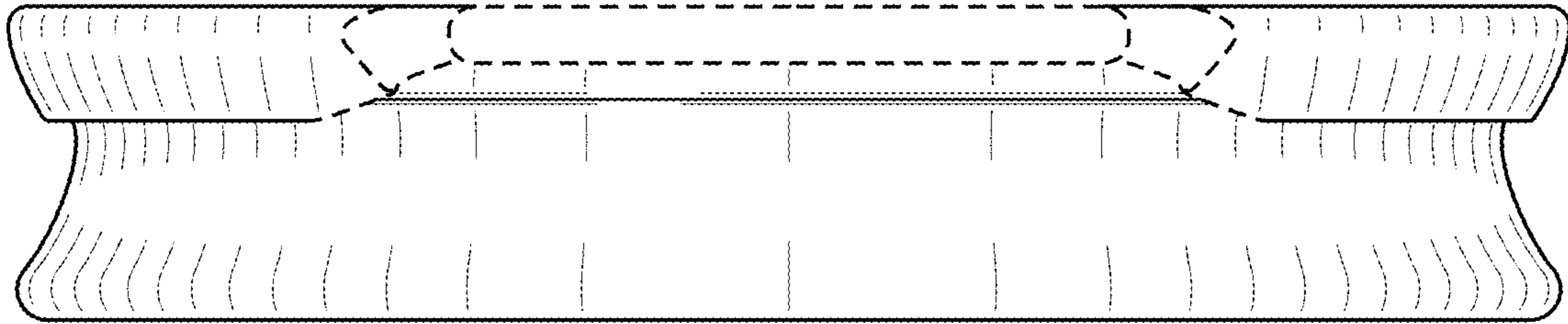


FIG. 10

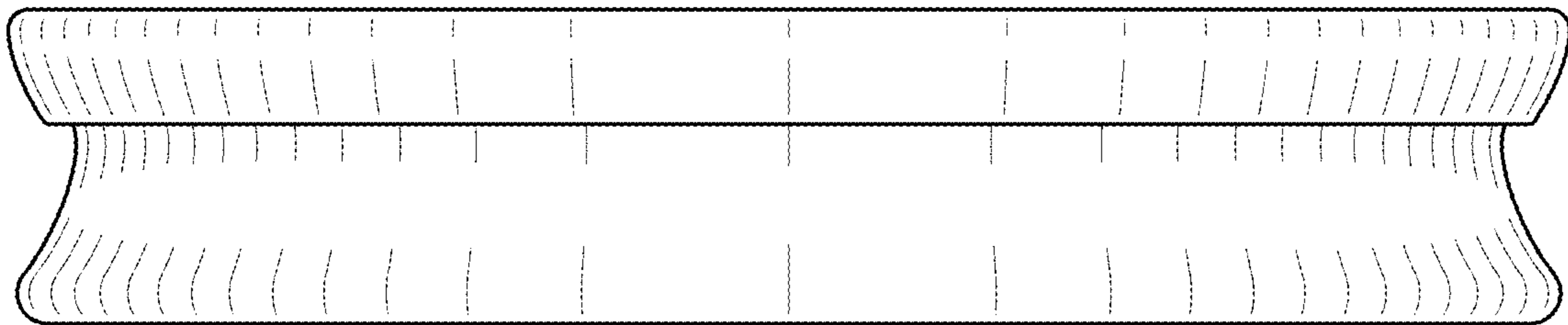


FIG. 11



FIG. 12

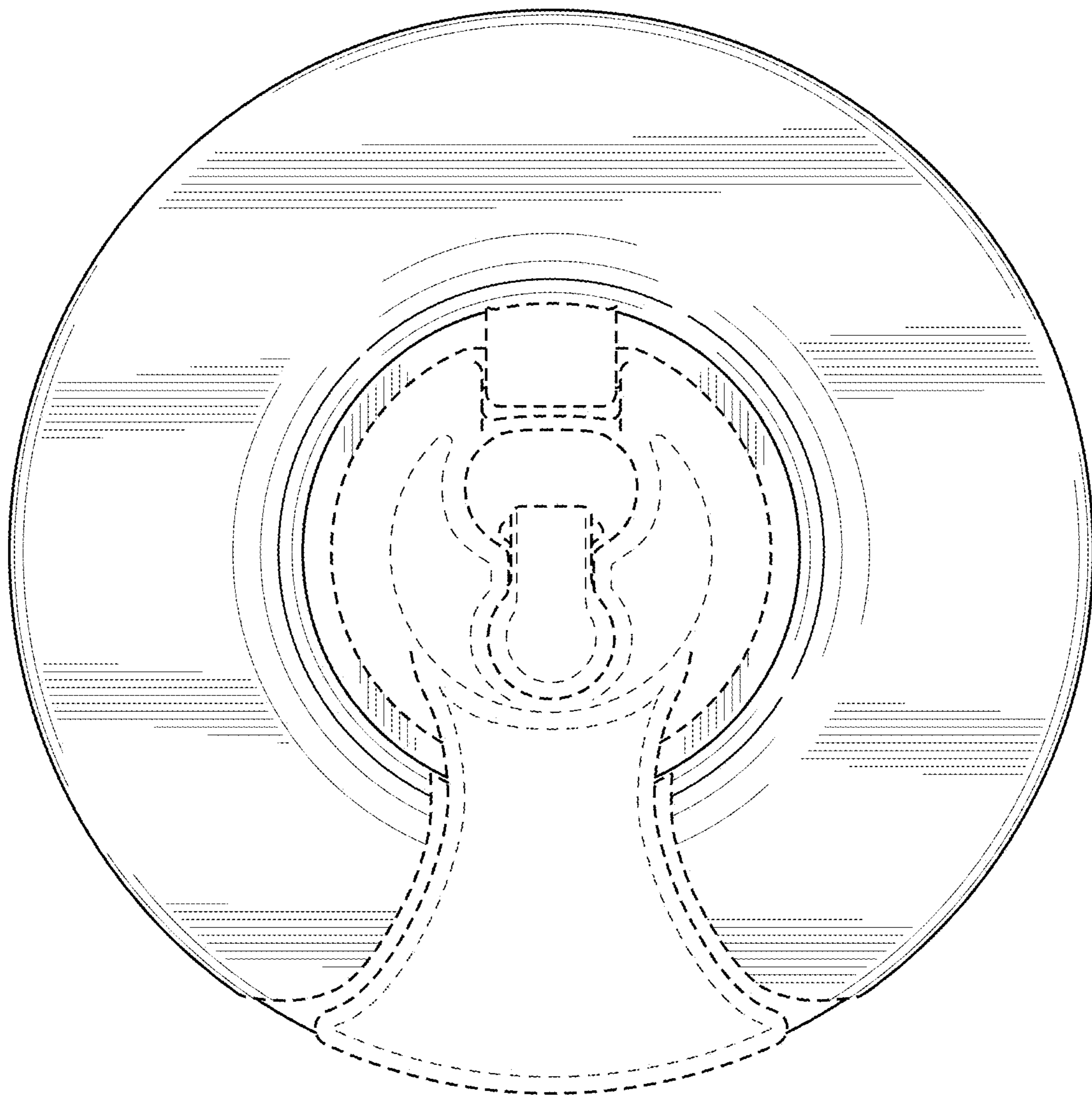


FIG. 13

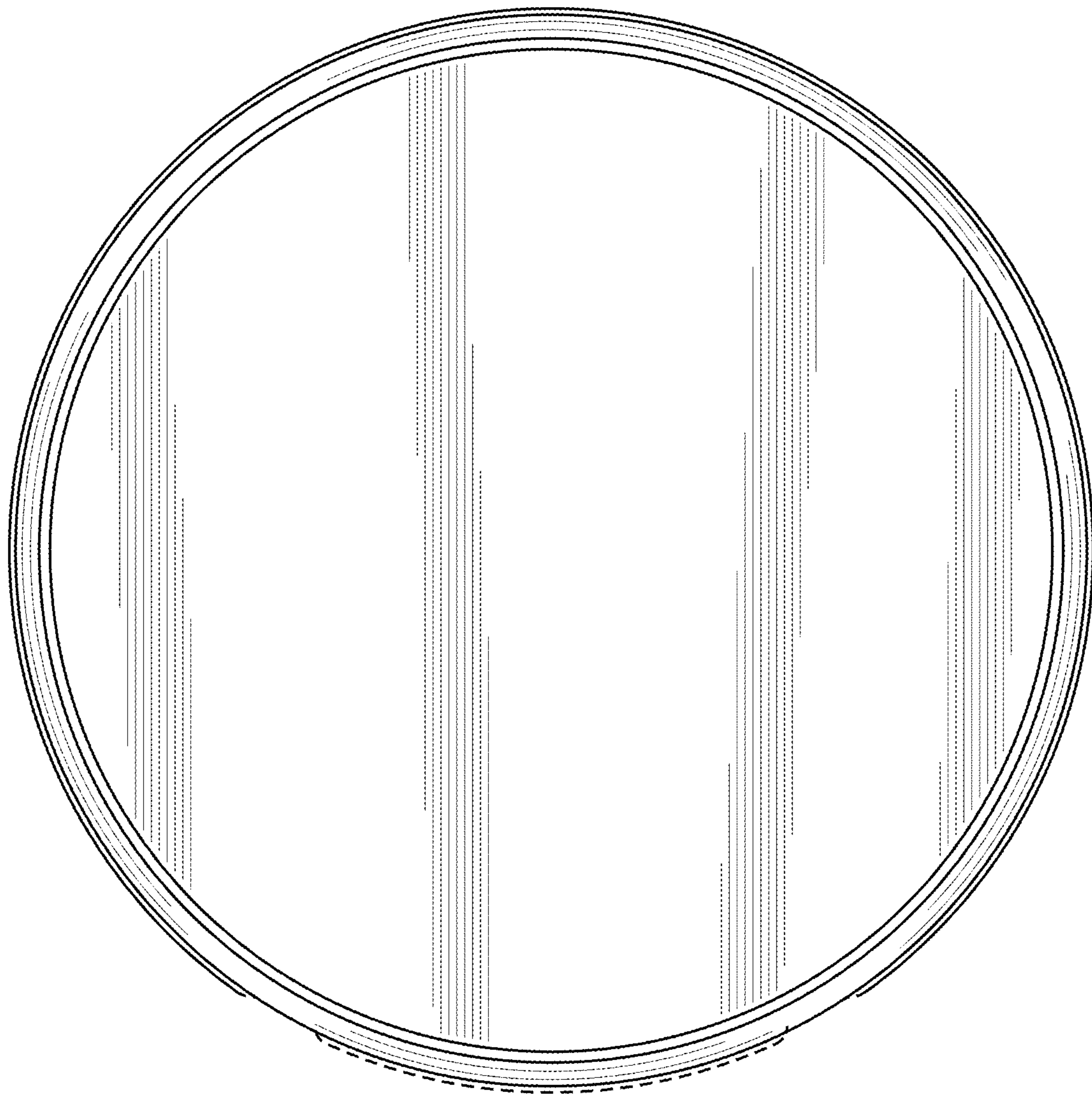


FIG. 14