



US00D883451S

(12) **United States Design Patent**  
**Kobayashi et al.**

(10) **Patent No.:** **US D883,451 S**

(45) **Date of Patent:** **\*\* May 5, 2020**

(54) **WASHBASIN**

D745,122 S \* 12/2015 Schonherr ..... D23/284  
D811,561 S \* 2/2018 Yoshioka ..... D23/293.1  
D815,260 S \* 4/2018 Moller ..... D23/284

(71) Applicant: **LIXIL Corporation**, Tokyo (JP)

(72) Inventors: **Hiroshi Kobayashi**, Tokyo (JP);  
**Kanoko Misawa**, Tokyo (JP)

(73) Assignee: **LIXIL Corporation**, Tokyo (JP)

(\*\*) Term: **15 Years**

(21) Appl. No.: **29/670,809**

(22) Filed: **Nov. 20, 2018**

(30) **Foreign Application Priority Data**

May 23, 2018 (JP) ..... 2018-011306  
May 23, 2018 (JP) ..... 2018-011307  
May 23, 2018 (JP) ..... 2018-011308  
May 23, 2018 (JP) ..... 2018-011309

(51) **LOC (12) Cl.** ..... **23-02**

(52) **U.S. Cl.**  
USPC ..... **D23/284**

(58) **Field of Classification Search**  
USPC ..... D23/284, 293.1, 308, 285–292  
See application file for complete search history.

(56) **References Cited**

**U.S. PATENT DOCUMENTS**

D560,780 S \* 1/2008 Hanna ..... D23/293.1  
D563,535 S \* 3/2008 Kergoet ..... D23/293.1  
D585,127 S \* 1/2009 Thalmann Gomez .... D23/293.1  
D588,244 S \* 3/2009 Lee ..... D23/293.1  
D592,292 S \* 5/2009 Kakihana ..... D23/293.1

**OTHER PUBLICATIONS**

Ceramica Cielo S.p.A., Web Page <<http://www.ceramicacielo.it/ita/tech/easy.php?cod=EASLA80>>, Published Jan. 7, 2011 to Jan. 14, 2011, 1 page; webpage cited at p. 4 of Japanese Patent Office Action in counterpart application No. 2018-011310.

\* cited by examiner

*Primary Examiner* — Robert A Delehanty

(74) *Attorney, Agent, or Firm* — Sughrue Mion, PLLC

(57) **CLAIM**

The ornamental design for a washbasin, as shown and described.

**DESCRIPTION**

FIG. 1 is a perspective view of a first embodiment of a washbasin.

FIG. 2 is a top plan view thereof.

FIG. 3 is a bottom plan view thereof.

FIG. 4 is a front elevation view thereof.

FIG. 5 is a rear elevation view thereof.

FIG. 6 is a right side elevation view thereof.

FIG. 7 is a left side elevation view thereof.

FIG. 8 is a cross-sectional view taken along the line 8-8 in FIG. 4; and,

FIG. 9 is a cross-sectional view taken along the line 9-9 in FIG. 2.

The dark portions in cross-sectional FIGS. 8 and 9 form no part of the claimed design.

**1 Claim, 9 Drawing Sheets**

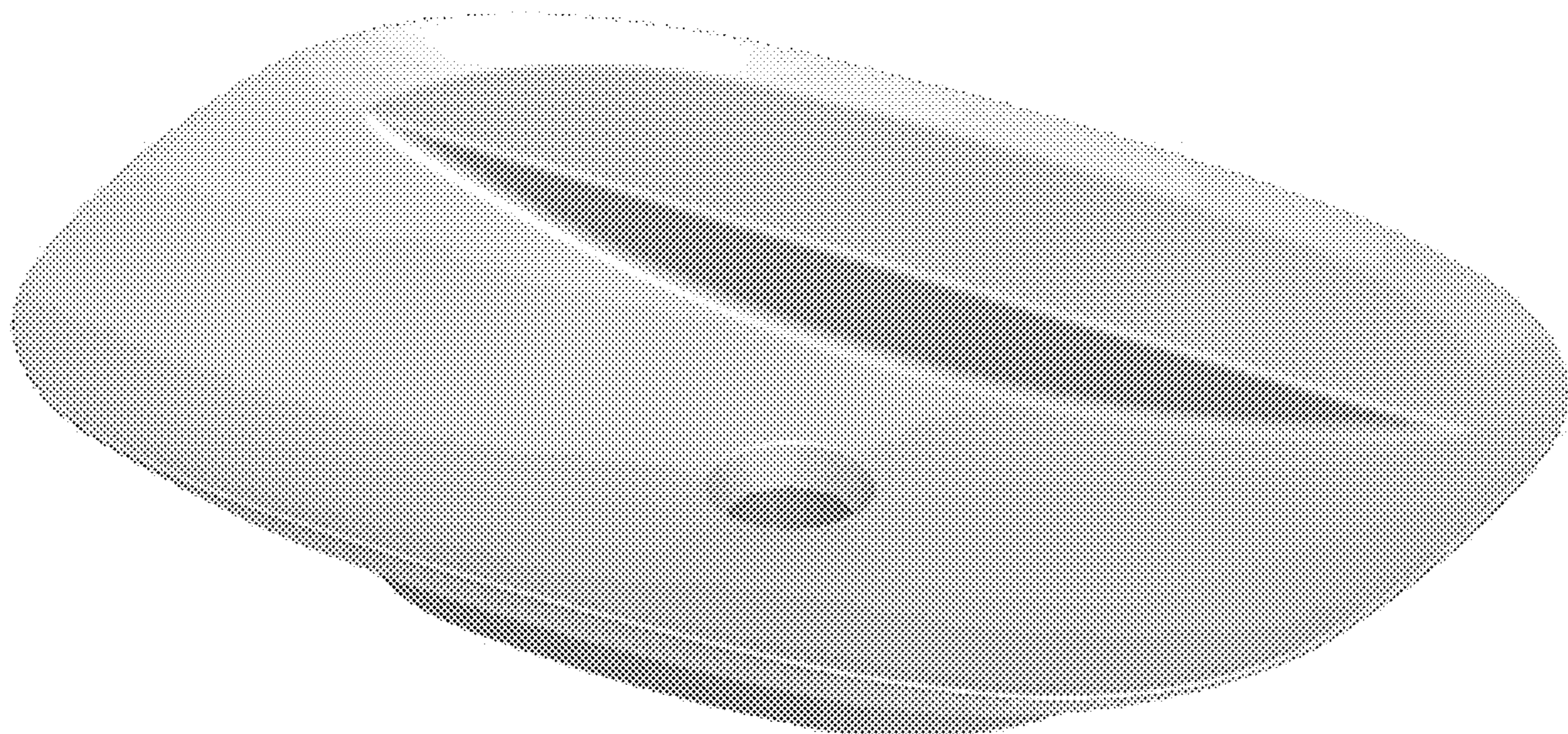


FIG. 1

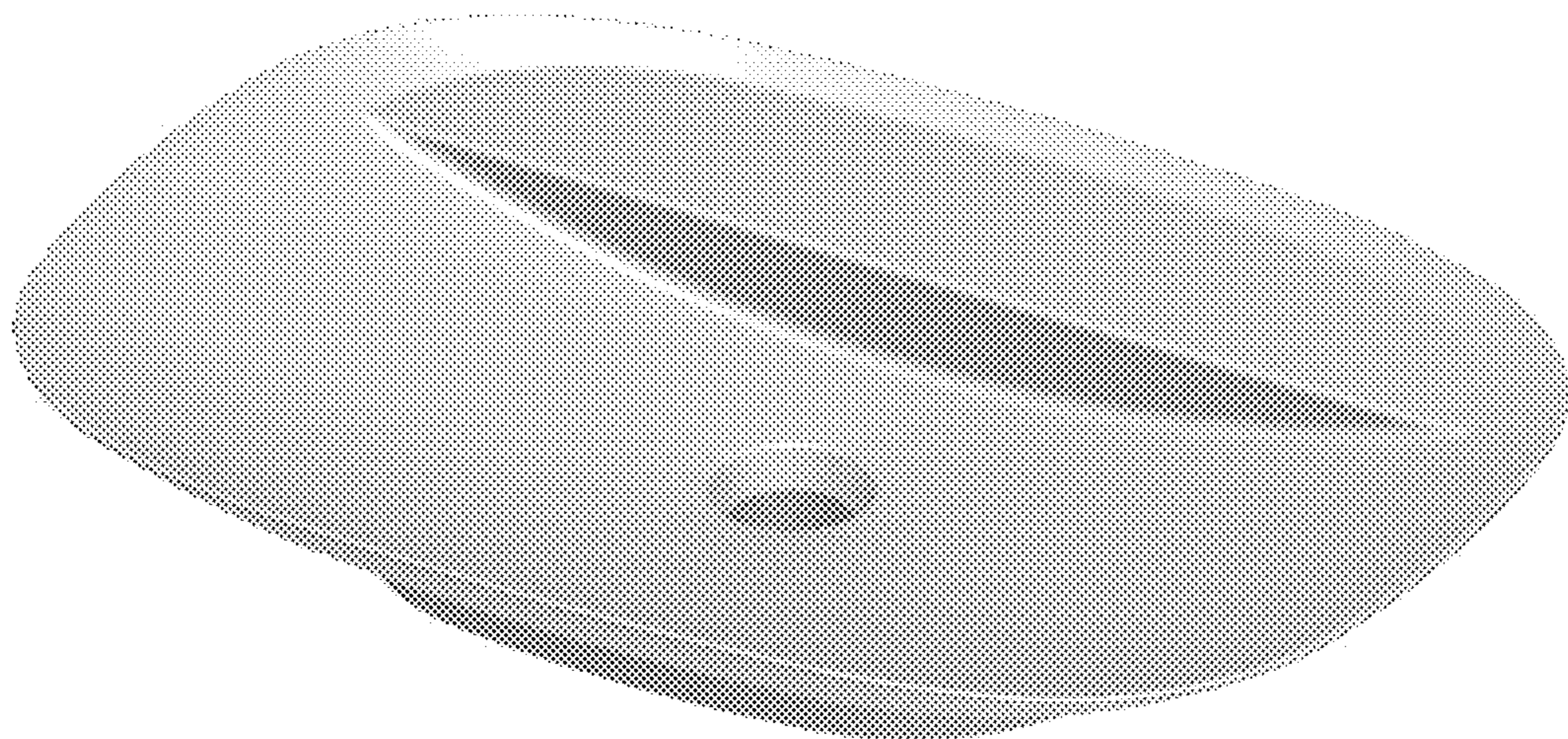


FIG. 2

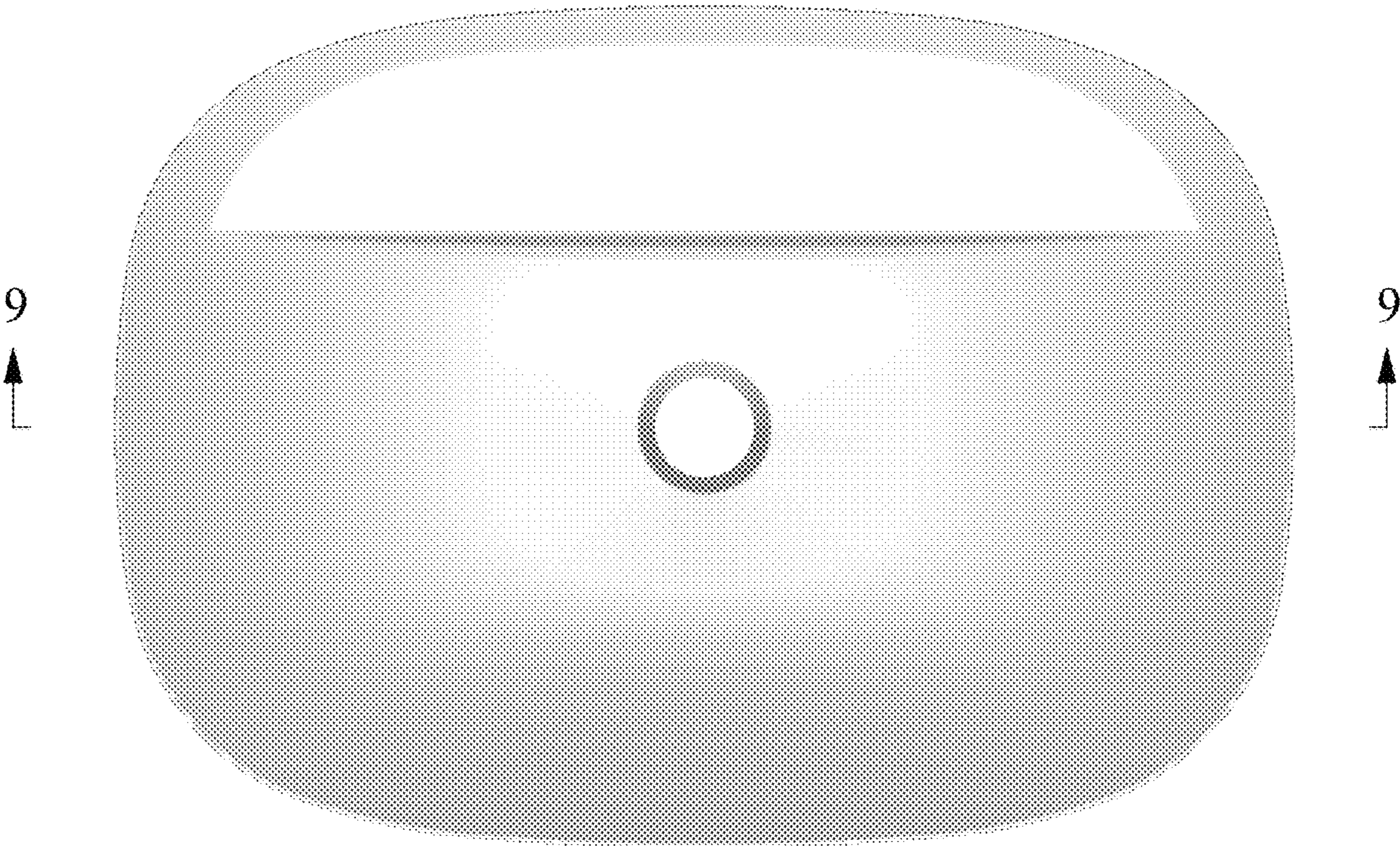


FIG. 3

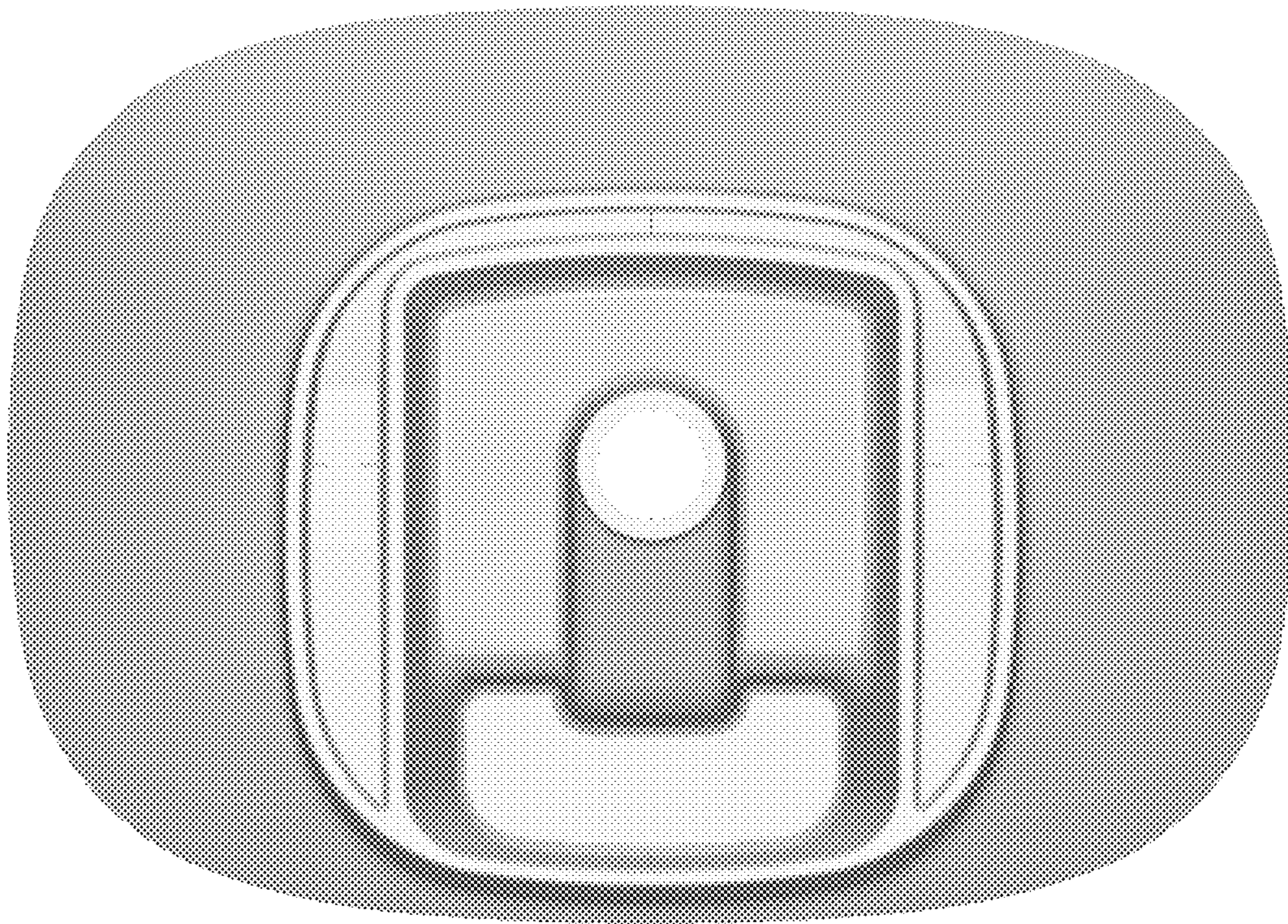


FIG. 4

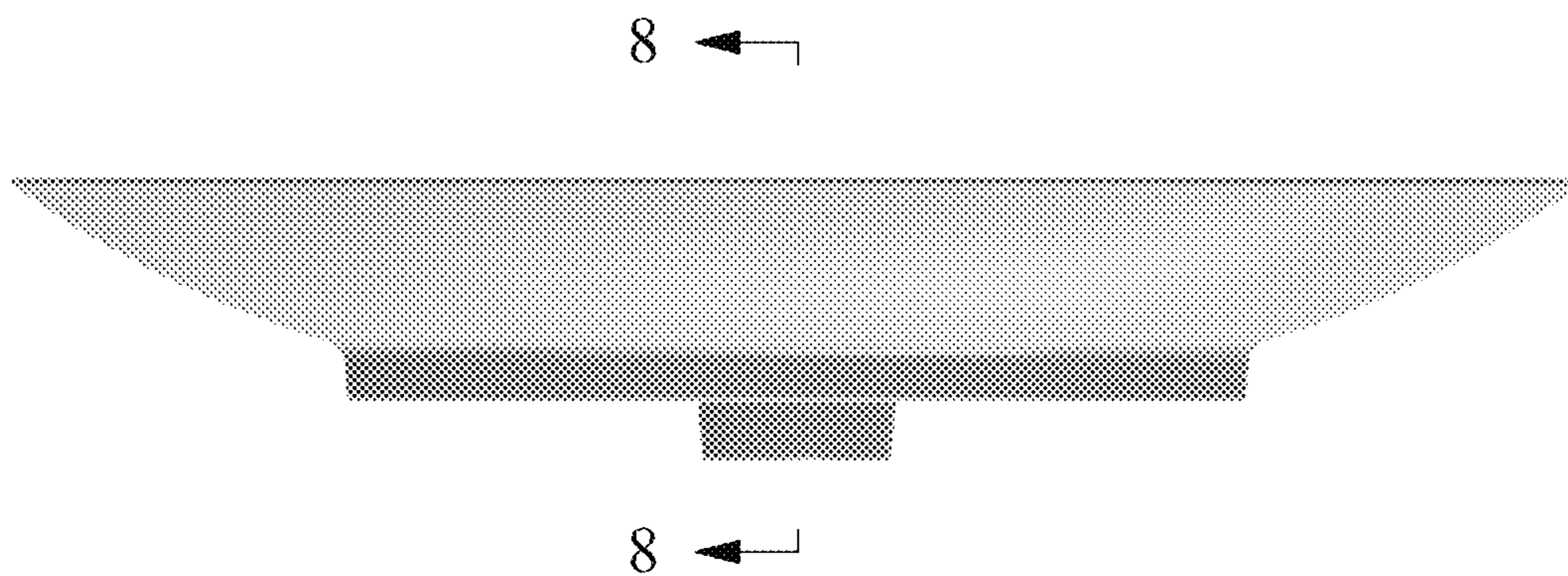


FIG. 5

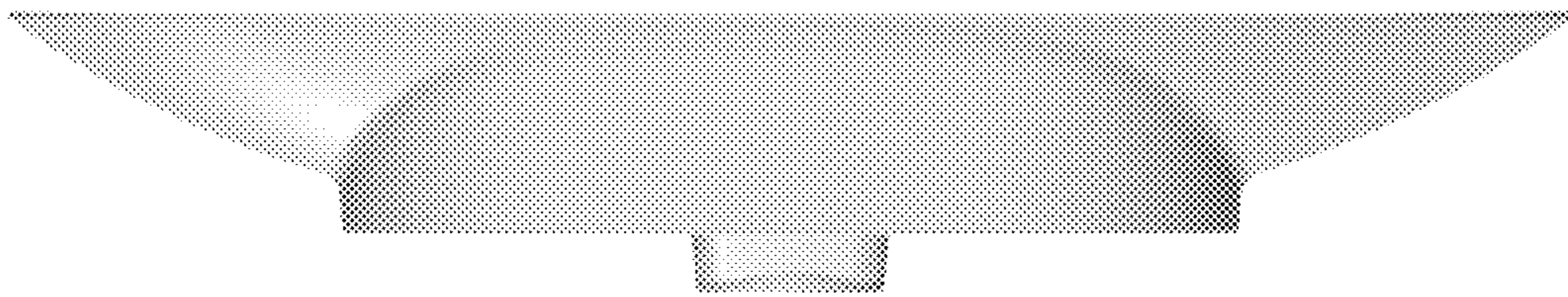


FIG. 6

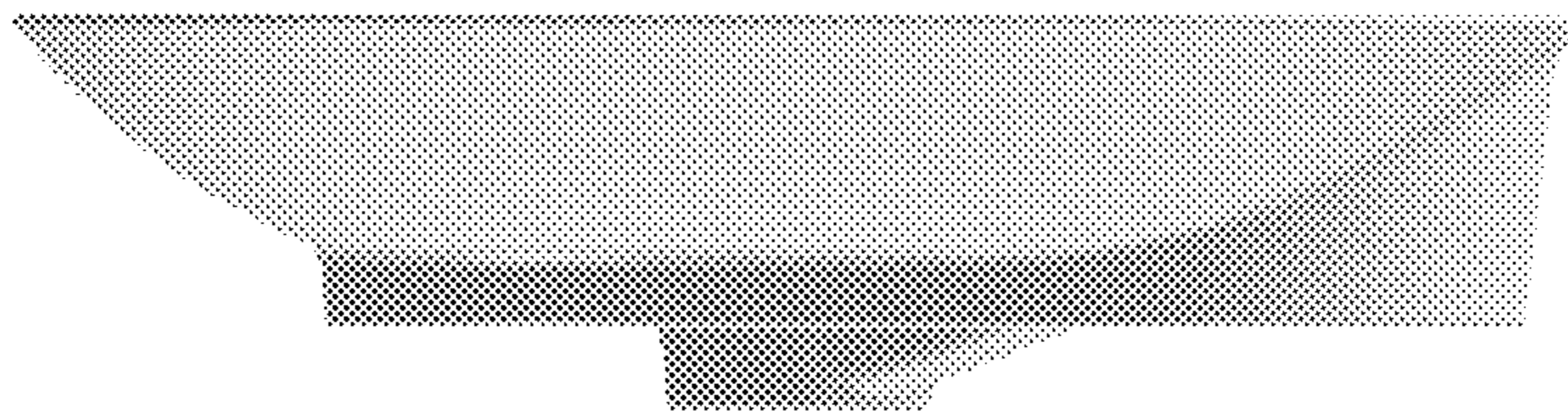


FIG. 7

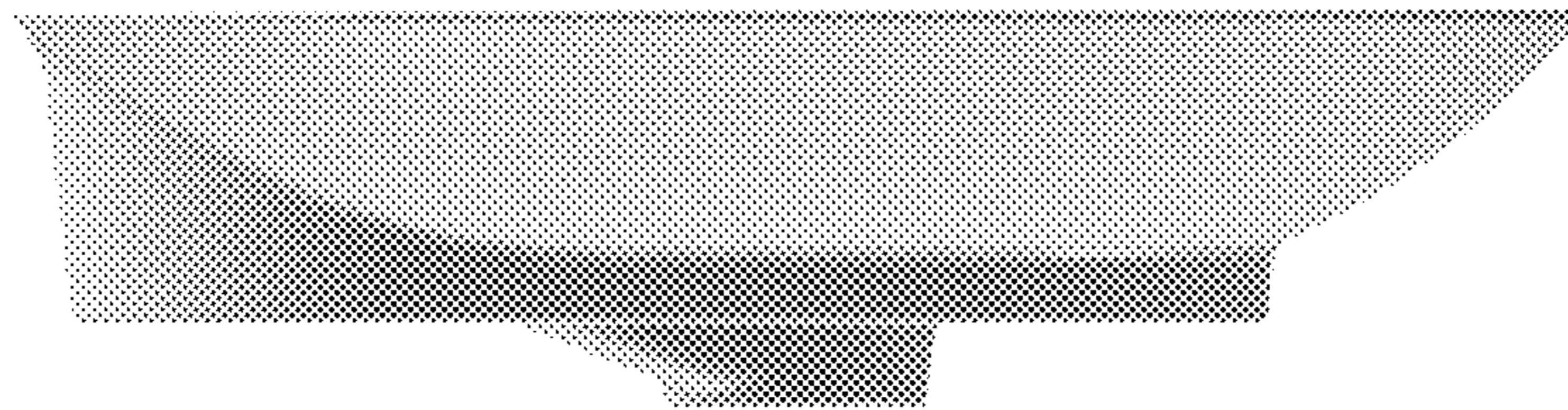




FIG. 8

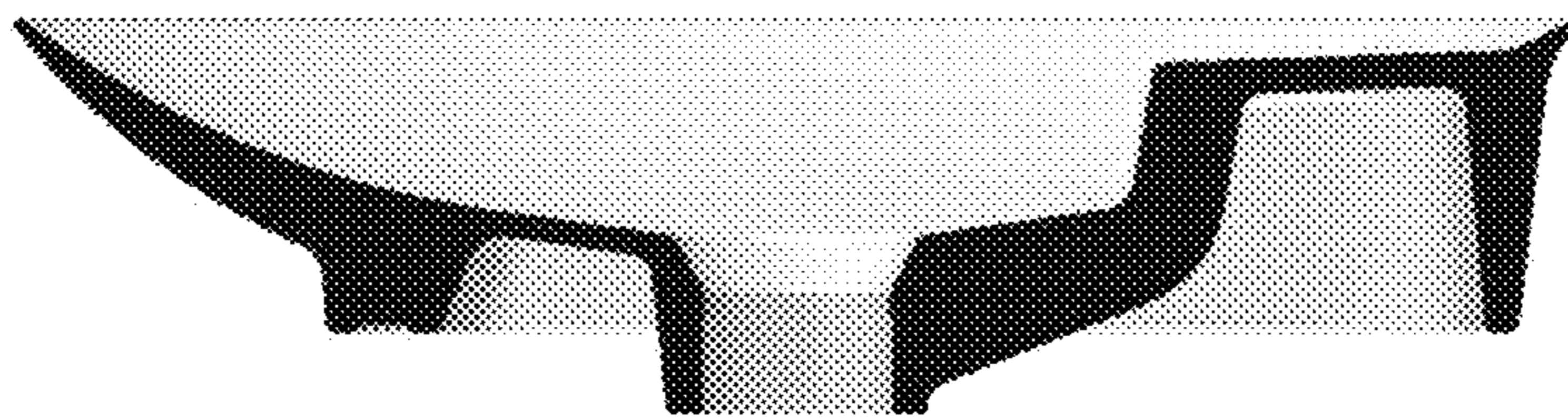


FIG. 9

