



US00D883449S

(12) **United States Design Patent**
Newcomb

(10) **Patent No.:** **US D883,449 S**

(45) **Date of Patent:** **** May 5, 2020**

(54) **SUBFLOOR CLOSET FLANGE SPACER**

(71) Applicant: **GTR Innovations, LLC**, Salem, OR
(US)

(72) Inventor: **Rodney G. Newcomb**, Salem, OR (US)

(73) Assignee: **GTR Innovations, LLC**, Salem, OR
(US)

(**) Term: **15 Years**

(21) Appl. No.: **29/644,266**

(22) Filed: **Apr. 16, 2018**

(51) **LOC (12) Cl.** **23-01**

(52) **U.S. Cl.**
USPC **D23/259; D8/354**

(58) **Field of Classification Search**
USPC **D8/354; D23/259-262**
CPC **E03D 11/16; E03D 11/17**
See application file for complete search history.

(56) **References Cited**

U.S. PATENT DOCUMENTS

3,419,288	A	12/1968	Logsdon	
4,648,139	A	3/1987	Stokes	
4,780,915	A	11/1988	Cuschera	
D300,350	S *	3/1989	Mathison	D23/260
4,886,302	A *	12/1989	Forbes	E03D 11/16 285/56

7,069,603	B2	7/2006	Flushing	
D559,080	S *	1/2008	Boote	D8/354
D574,931	S *	8/2008	Hughes	D23/262
D585,530	S *	1/2009	Ito	D23/259
D647,181	S *	10/2011	Kovach	D23/259
9,074,377	B2	7/2015	Wood	
D737,406	S *	8/2015	Waggoner	D23/233
9,297,157	B2	3/2016	Wendorff	
2007/0216162	A1 *	9/2007	Ennin	F16L 23/0286 285/406
2013/0219603	A1 *	8/2013	Wendorff	E03D 11/16 4/252.4
2019/0316338	A1 *	10/2019	Pytlewski	E03D 11/16

* cited by examiner

Primary Examiner — Lauren R Calve

(74) *Attorney, Agent, or Firm* — Law Office of Karen
Dana Oster, LLC

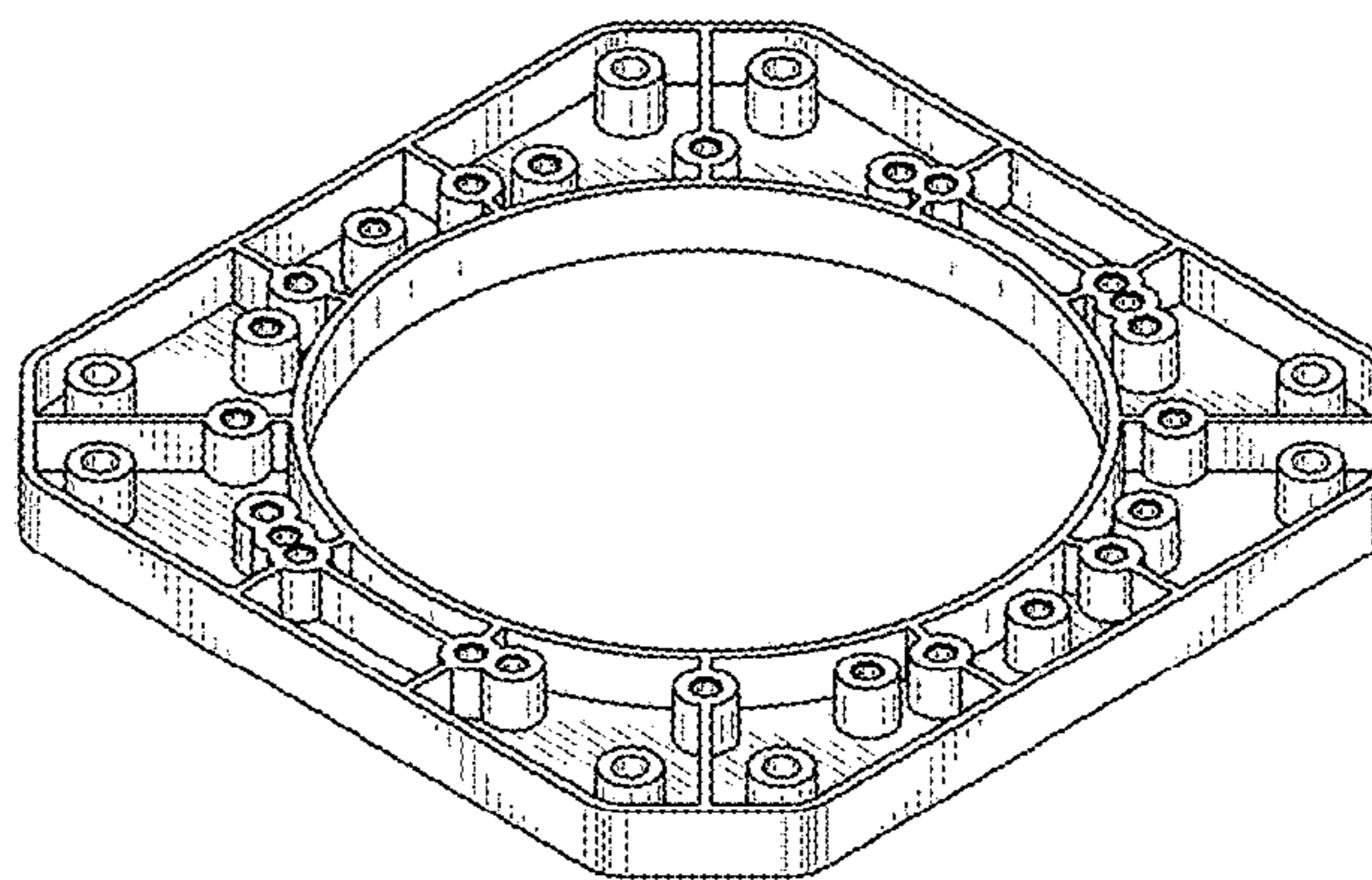
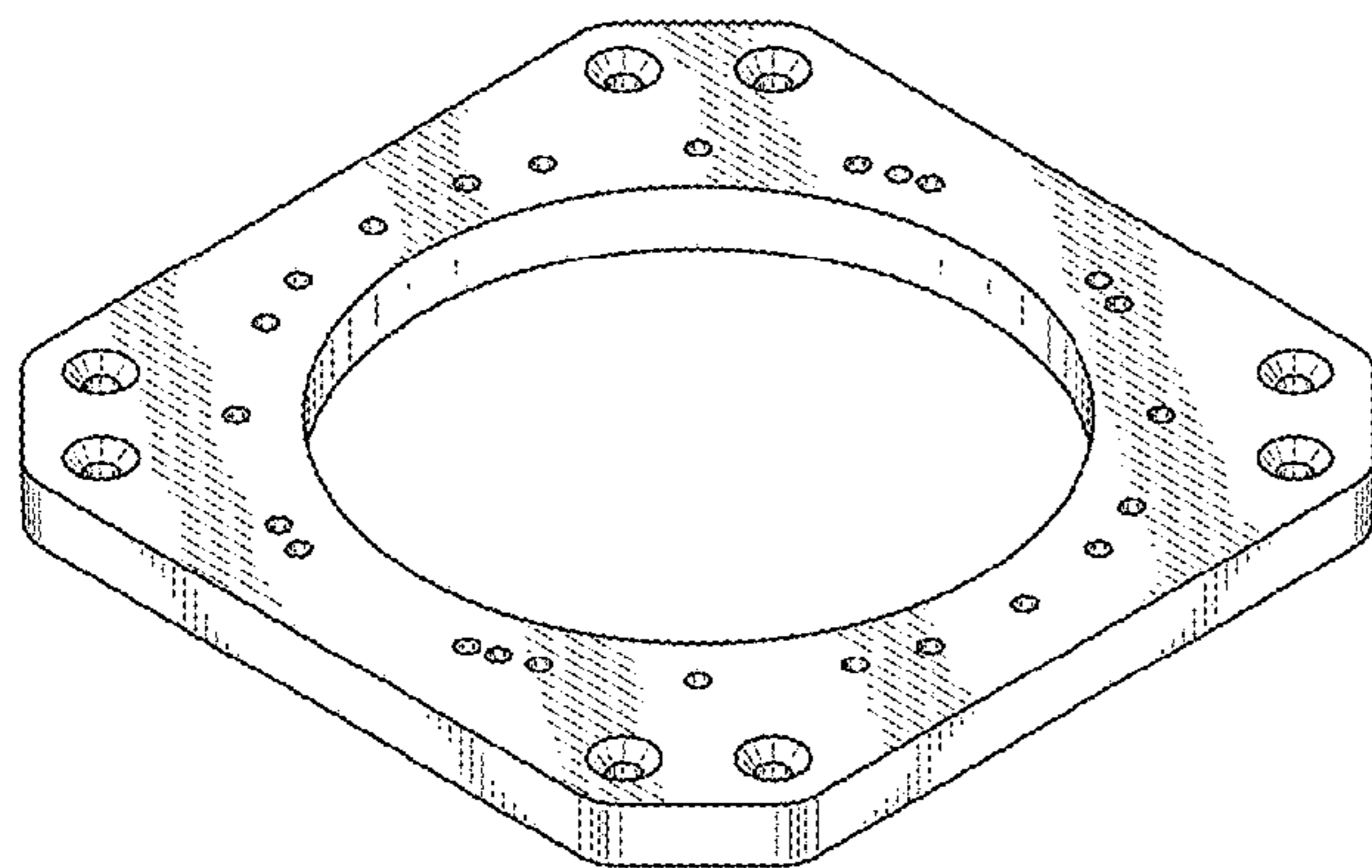
(57) **CLAIM**

The ornamental design for a subfloor closet flange spacer, as shown and described.

DESCRIPTION

FIG. 1 is a top perspective view of a subfloor closet flange spacer of my new design;
FIG. 2 is a bottom perspective view thereof;
FIG. 3 is a top view thereof;
FIG. 4 is a bottom view thereof; and,
FIG. 5 is a side view thereof, the other side views being identical.

1 Claim, 2 Drawing Sheets



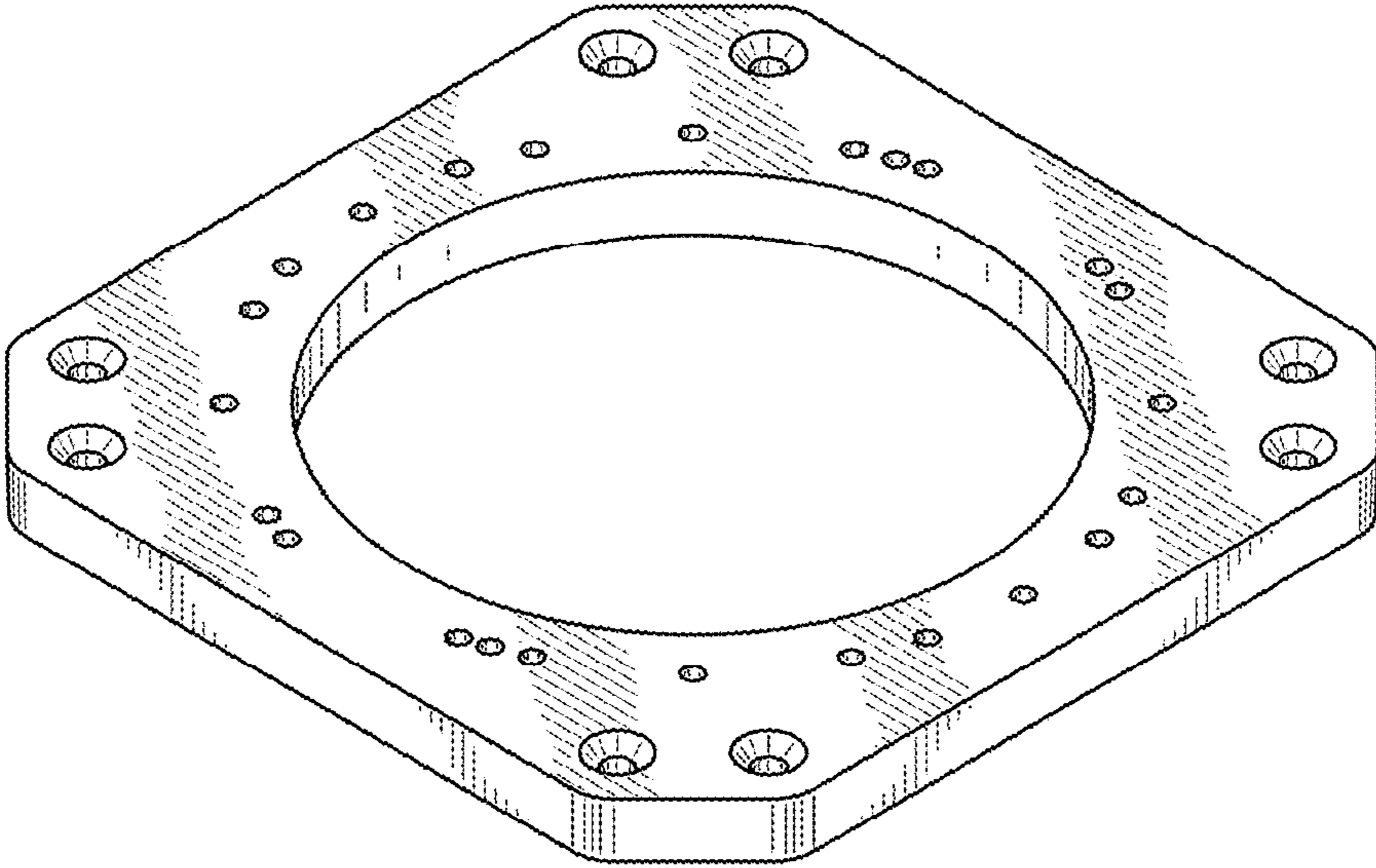


FIG. 1

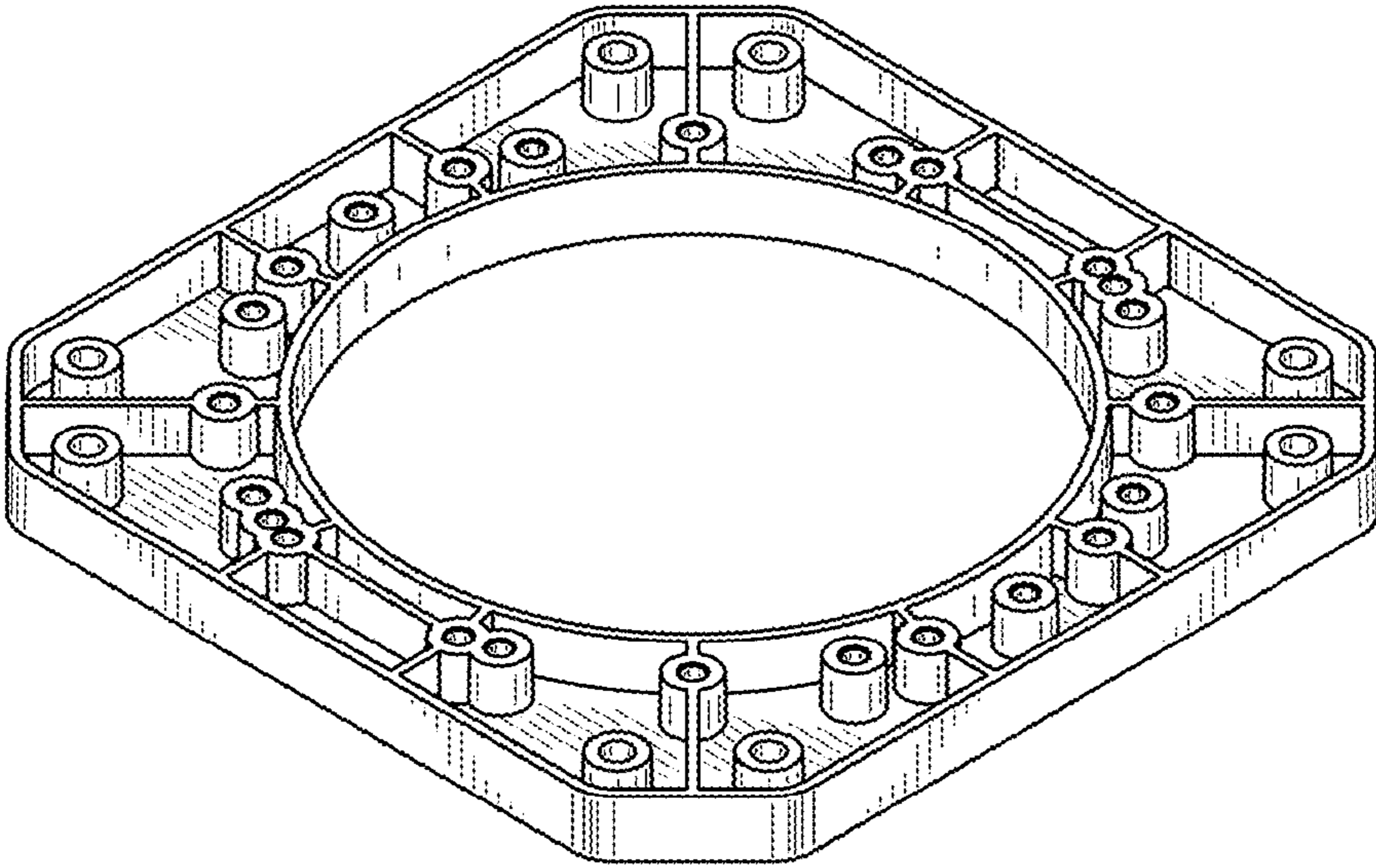


FIG. 2

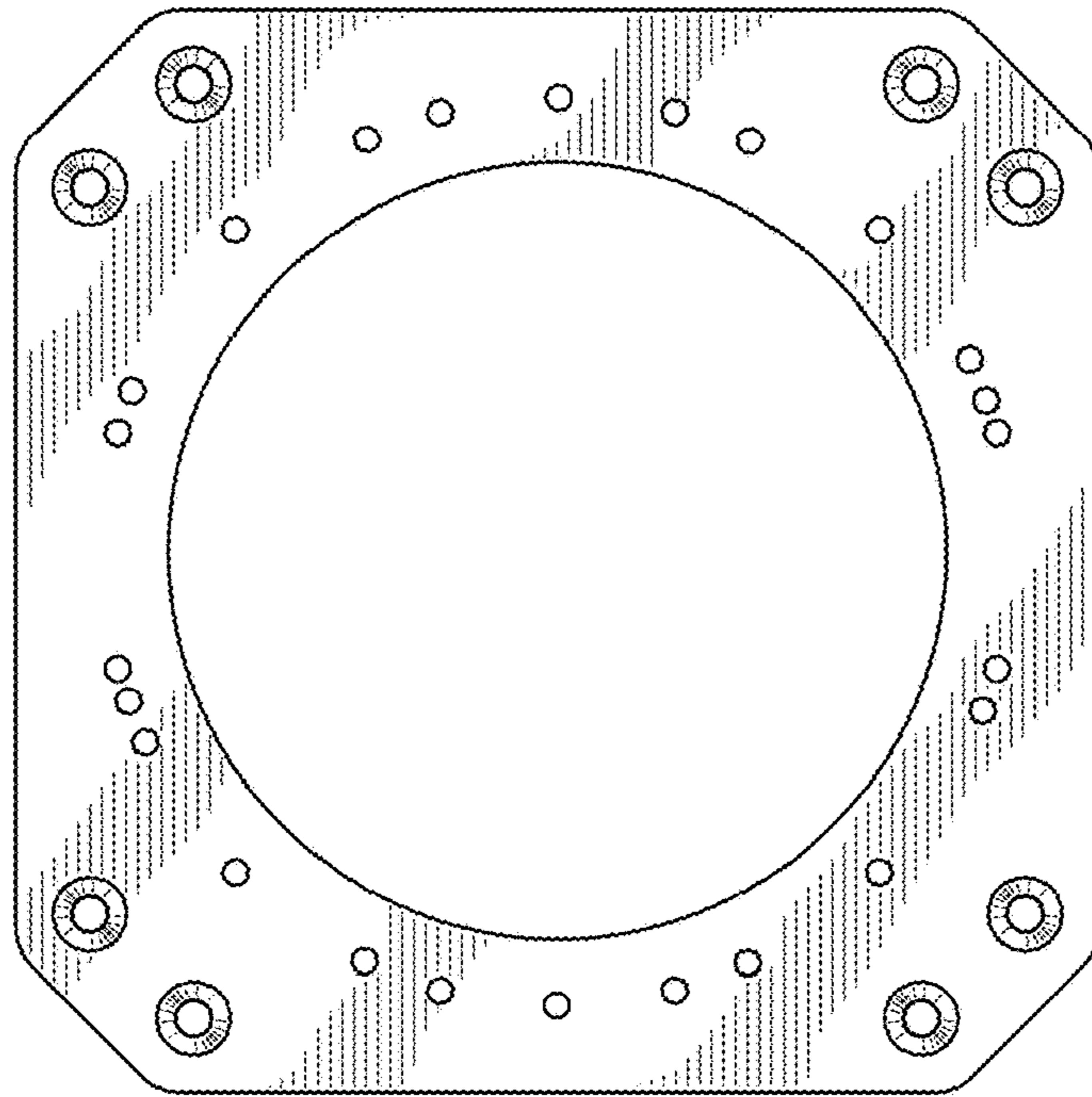


FIG. 3

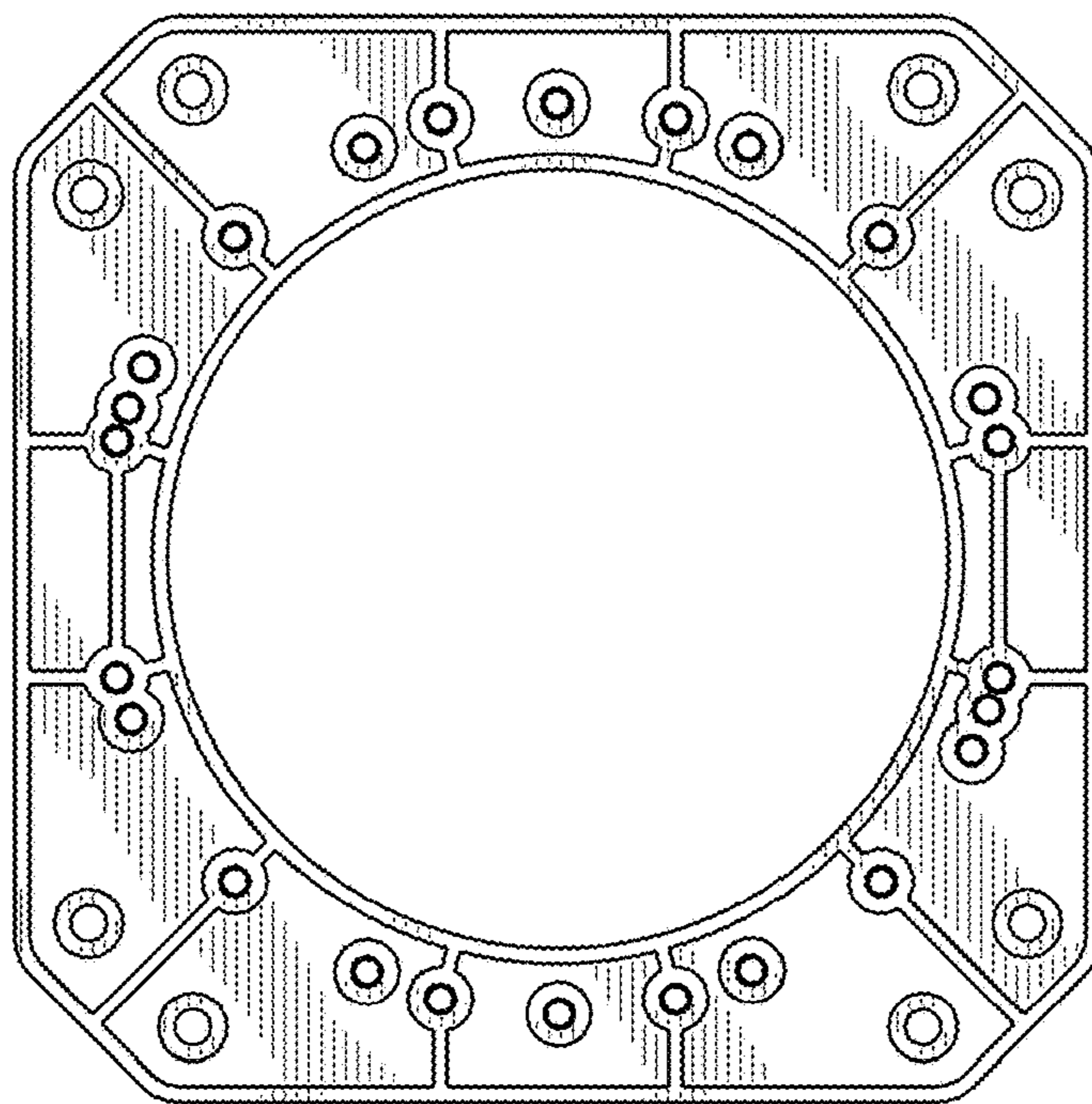


FIG. 4



FIG. 5