



US00D883448S

(12) **United States Design Patent** (10) **Patent No.:** **US D883,448 S**  
**Massaud** (45) **Date of Patent:** **\*\* May 5, 2020**

(54) **FAUCET**  
(71) Applicant: **Hansgrohe SE**, Schiltach (DE)  
(72) Inventor: **Jean-Marie Massaud**, Paris (FR)  
(73) Assignee: **Hansgrohe SE**, Schiltach (DE)  
(\*\*) Term: **15 Years**  
(21) Appl. No.: **29/677,711**  
(22) Filed: **Jan. 23, 2019**

D625,778 S \* 10/2010 Sandee ..... D23/238  
D643,908 S \* 8/2011 Sieger ..... D23/238  
D735,297 S \* 7/2015 Sieger ..... D23/238  
D803,357 S \* 11/2017 Lucchese ..... D23/238  
D820,400 S \* 6/2018 Eads ..... D23/238

**FOREIGN PATENT DOCUMENTS**

CN 302291267 1/2013  
CN 303543512 1/2016  
CN 304309581 10/2017  
CN 304415673 12/2017  
EM 004554657 12/2017

\* cited by examiner

(30) **Foreign Application Priority Data**  
Jul. 26, 2018 (EM) ..... 005515749-0023  
(51) **LOC (12) Cl.** ..... **23-01**  
(52) **U.S. Cl.**  
USPC ..... **D23/255**  
(58) **Field of Classification Search**  
USPC ..... D23/238, 241-243, 249, 255, 257  
CPC ..... Y10T 137/9464; Y10T 137/6014; Y10T  
137/6017  
See application file for complete search history.

*Primary Examiner* — Robert A Delehanty  
(74) *Attorney, Agent, or Firm* — Lora J. Graentzdoerffer

(57) **CLAIM**  
The ornamental design for a faucet, as shown and described.

**DESCRIPTION**

FIG. 1 is a perspective view of a faucet showing my design;  
FIG. 2 is a front elevation view;  
FIG. 3 is a rear elevation view;  
FIG. 4 is a right side elevation view;  
FIG. 5 is a left side elevation view;  
FIG. 6 is a top plan view; and,  
FIG. 7 is a bottom plan view.  
The broken-line disclosures in the view represents portions of the faucet in which the claimed design is embodied, but which forms no part of the claimed design.

(56) **References Cited**  
**U.S. PATENT DOCUMENTS**  
D503,217 S \* 3/2005 Aubry ..... D23/238  
D534,991 S \* 1/2007 Sieger ..... D23/238  
D535,358 S \* 1/2007 Demmer ..... D23/238  
D547,831 S \* 7/2007 Williams ..... D23/255

**1 Claim, 7 Drawing Sheets**

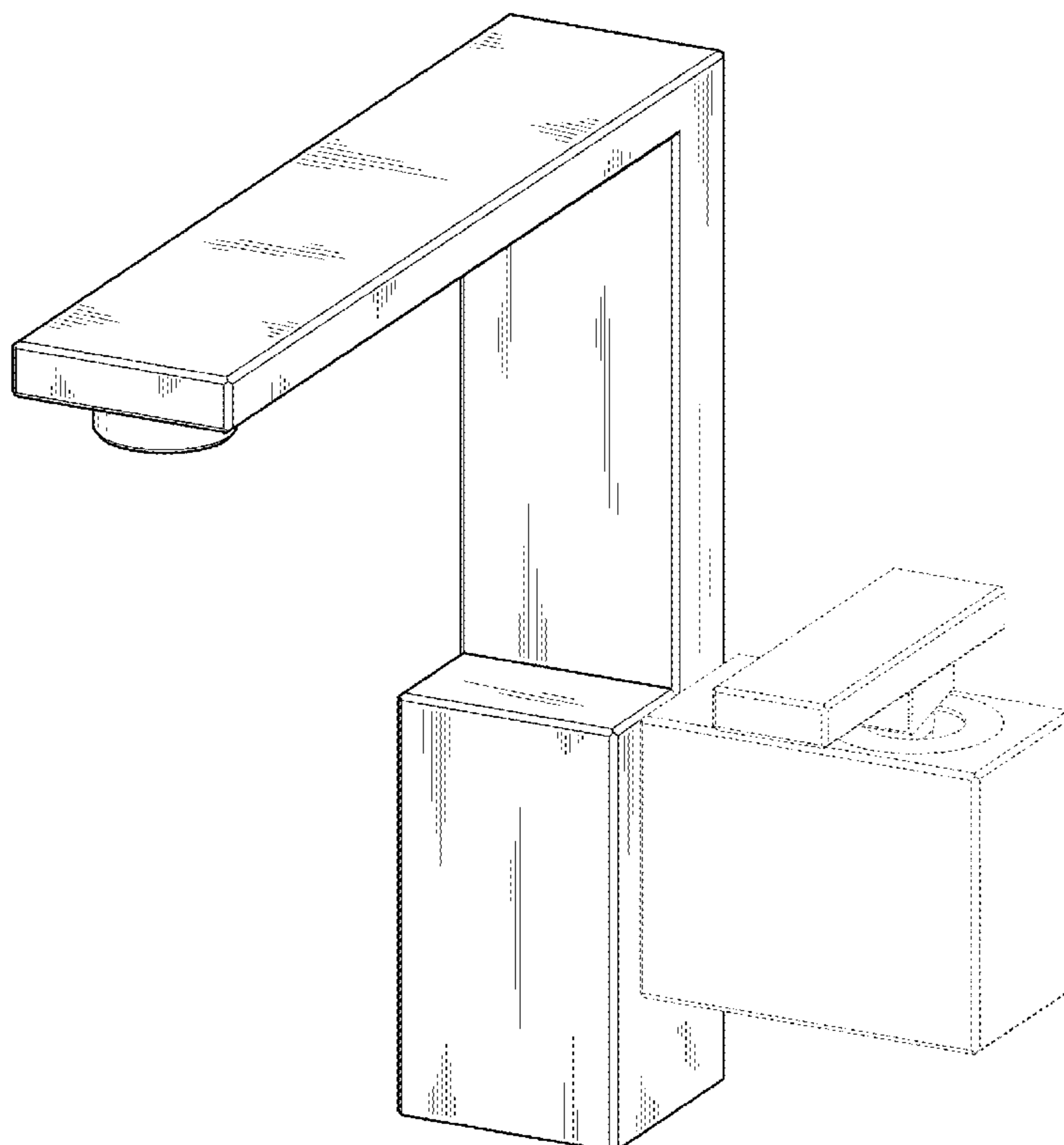


FIG. 1

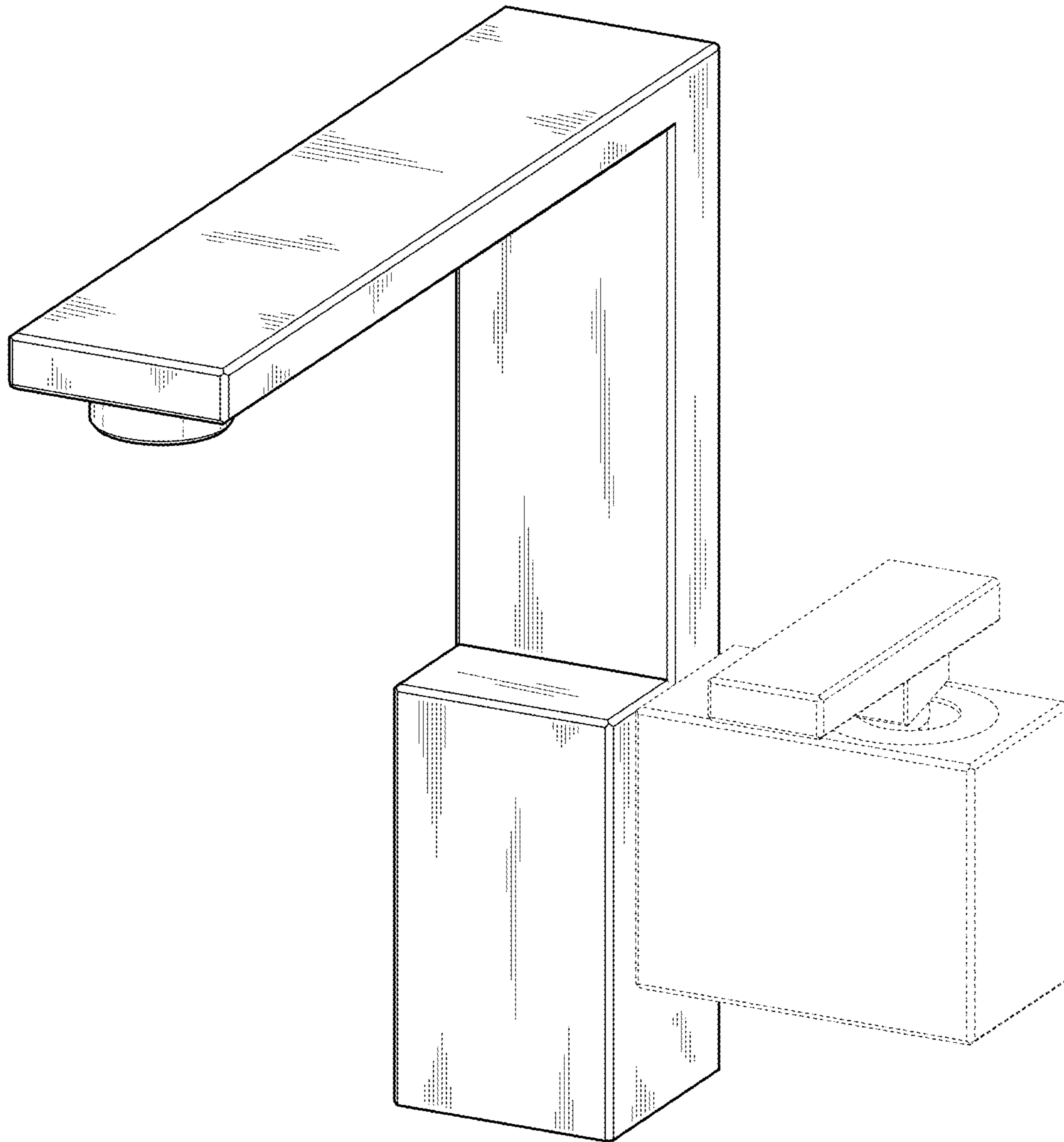


FIG. 2

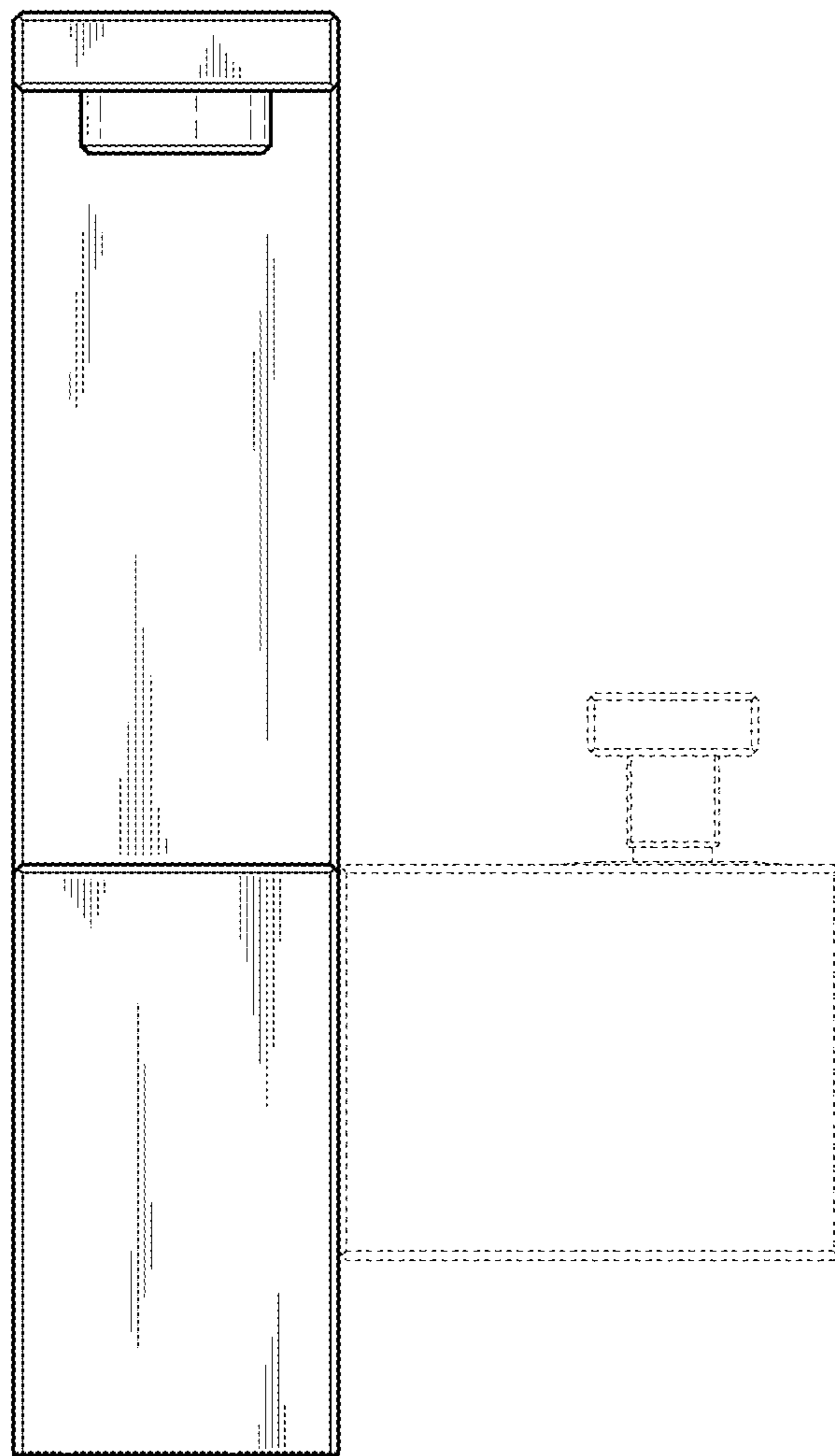


FIG. 3

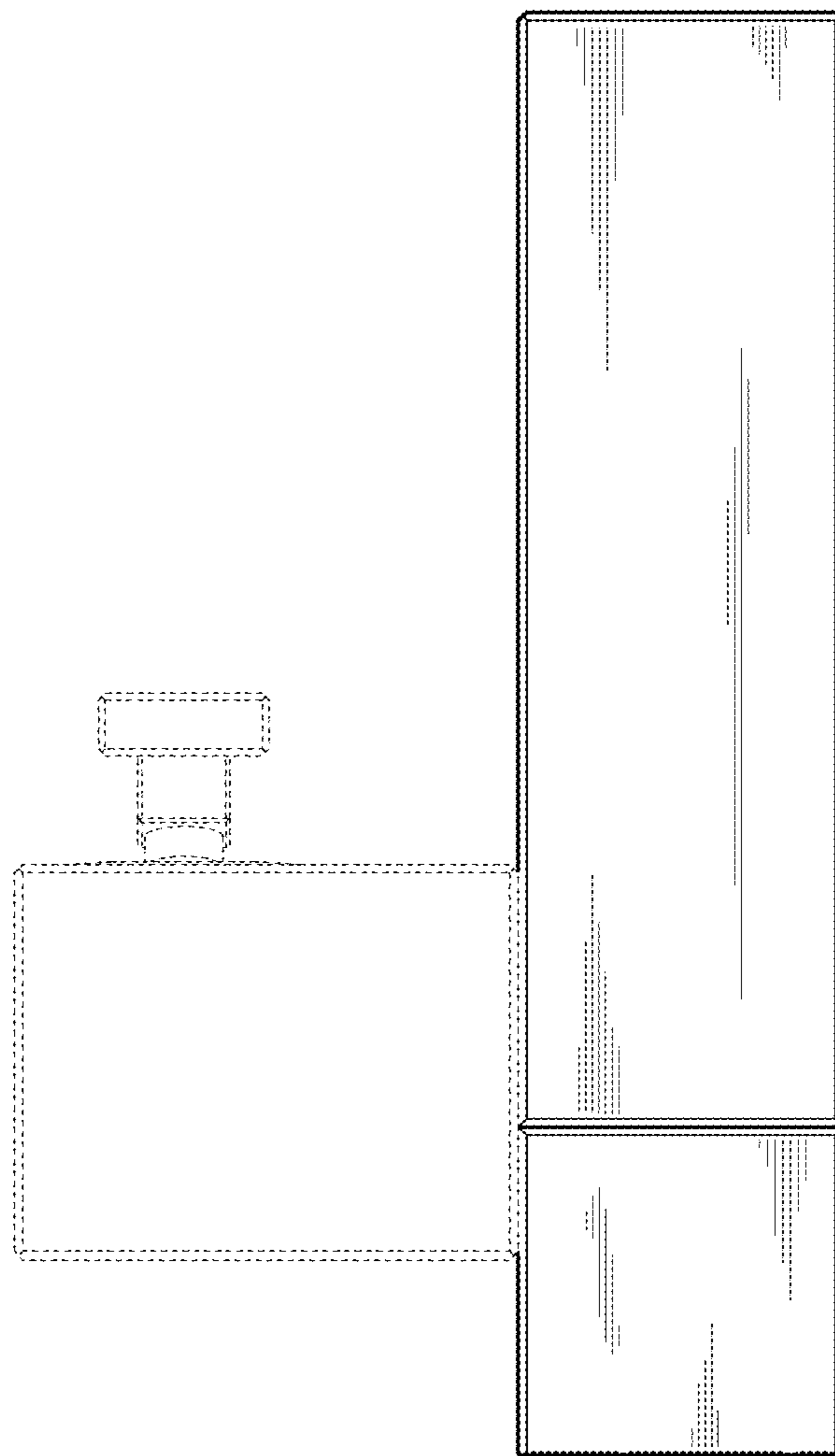


FIG. 4

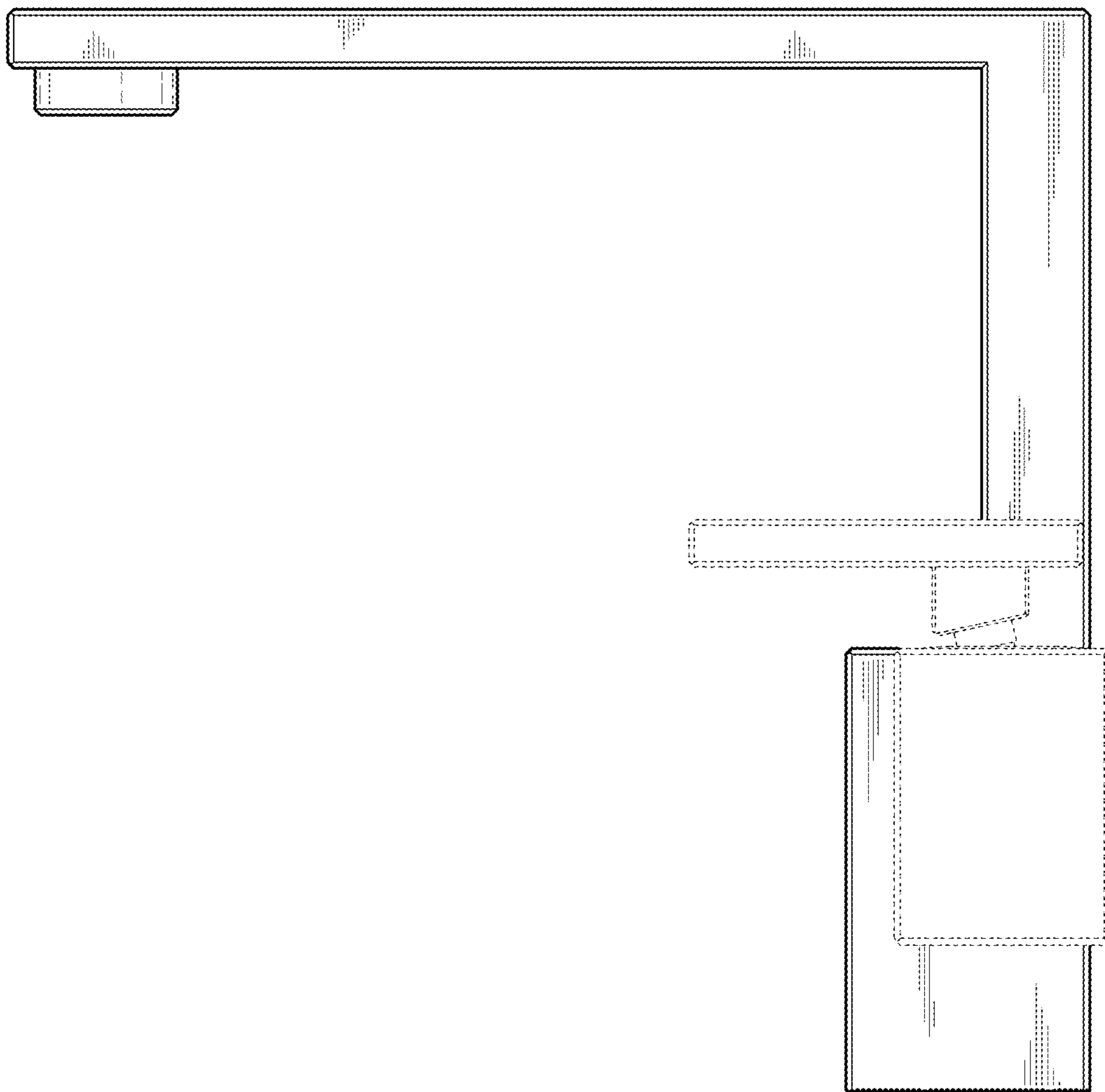


FIG. 5

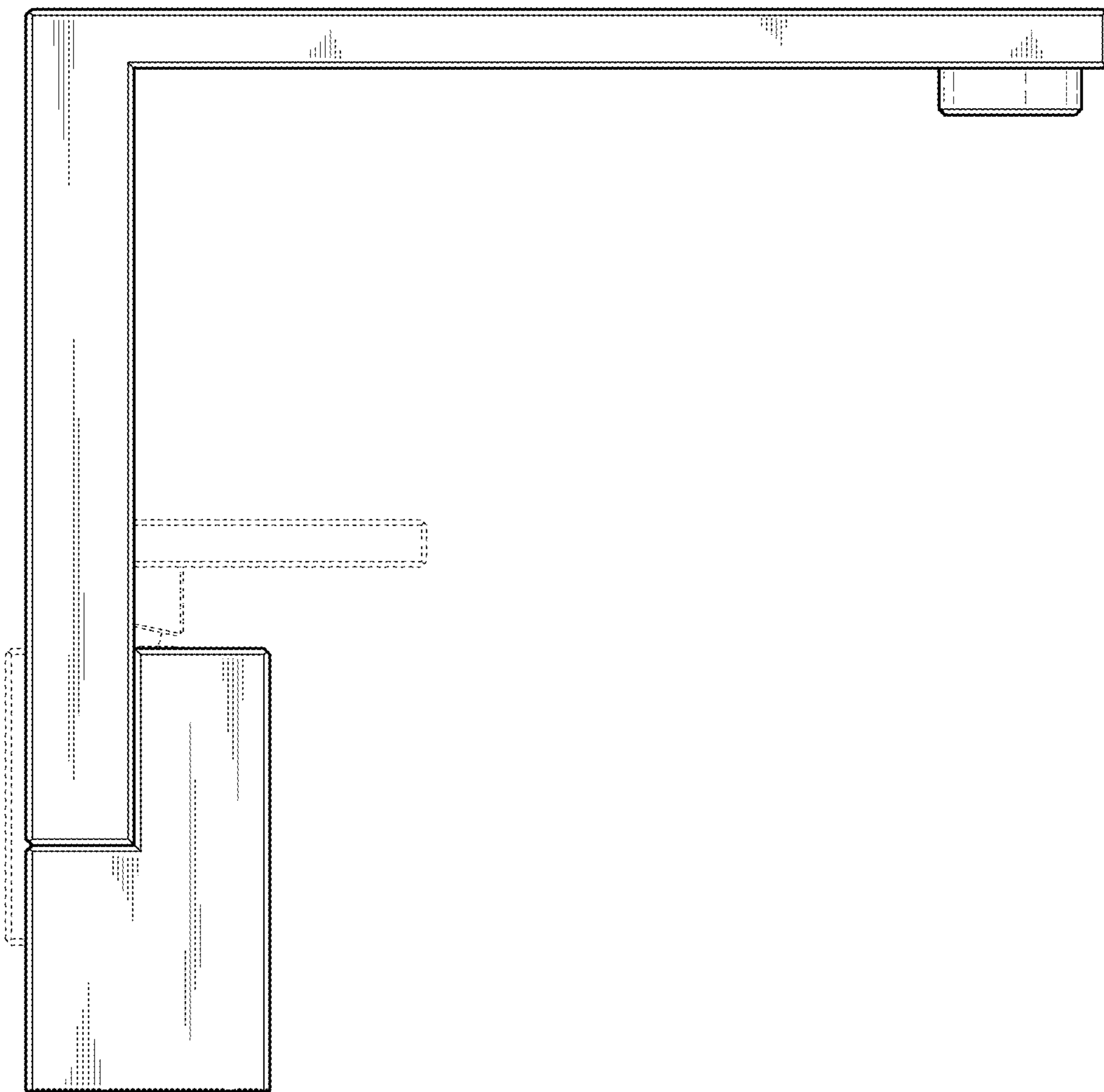


FIG. 6

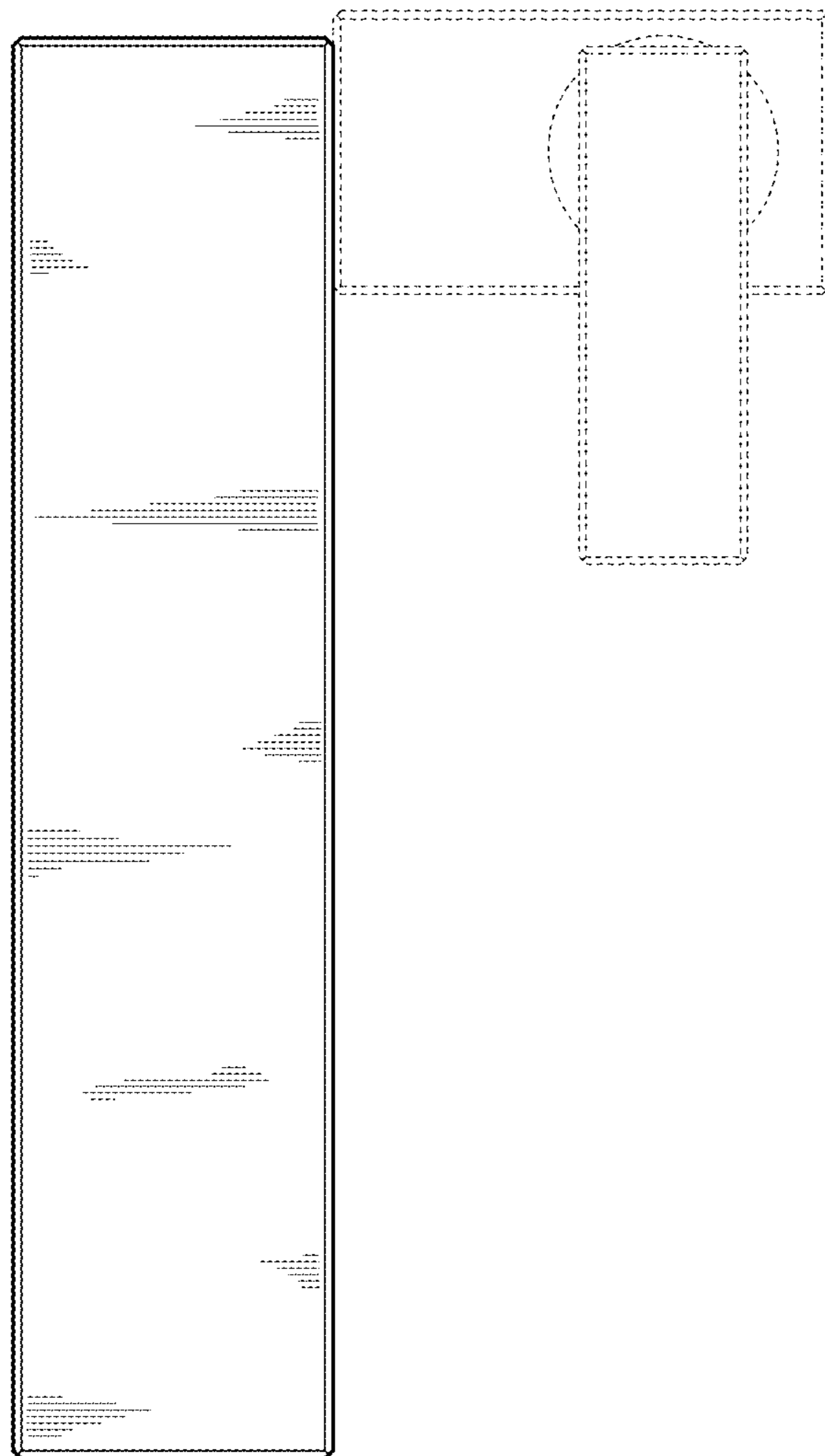


FIG. 7

