



US00D883447S

(12) **United States Design Patent**
Xie

(10) **Patent No.:** **US D883,447 S**

(45) **Date of Patent:** **** May 5, 2020**

- (54) **SHOWER VALVE**
- (71) Applicant: **Guangdong SunRise Industrial Co., Ltd., Dongguan (CN)**
- (72) Inventor: **Zhongyi Xie, Dongguan (CN)**
- (**) Term: **15 Years**
- (21) Appl. No.: **29/710,220**
- (22) Filed: **Oct. 22, 2019**
- (51) **LOC (12) Cl.** **23-01**
- (52) **U.S. Cl.**
USPC **D23/254**
- (58) **Field of Classification Search**
USPC D23/233, 241, 257, 254, 235, 237, 245,
D23/247, 248, 249; 137/597, 599.12, 360
CPC B05B 1/18; B05B 1/1645; B05B 1/3006;
B05B 7/12; F16K 19/00; F16K 11/076;
F16K 11/10; F16K 11/22
See application file for complete search history.

8,210,203 B2 *	7/2012	DeVries	E03C 1/02 137/597
D665,883 S	8/2012	Flowers et al.	
8,820,352 B2 *	9/2014	Yu	F16K 19/00 137/360
D757,226 S	5/2016	Norton	
D757,227 S	5/2016	Choi et al.	
9,650,768 B2 *	5/2017	Johnson	E03C 1/023
10,072,770 B2 *	9/2018	Aykens	E03C 1/021

* cited by examiner

Primary Examiner — Gino Colan
(74) *Attorney, Agent, or Firm* — HYIP

(57) **CLAIM**

The ornamental design for a shower valve, as shown and described.

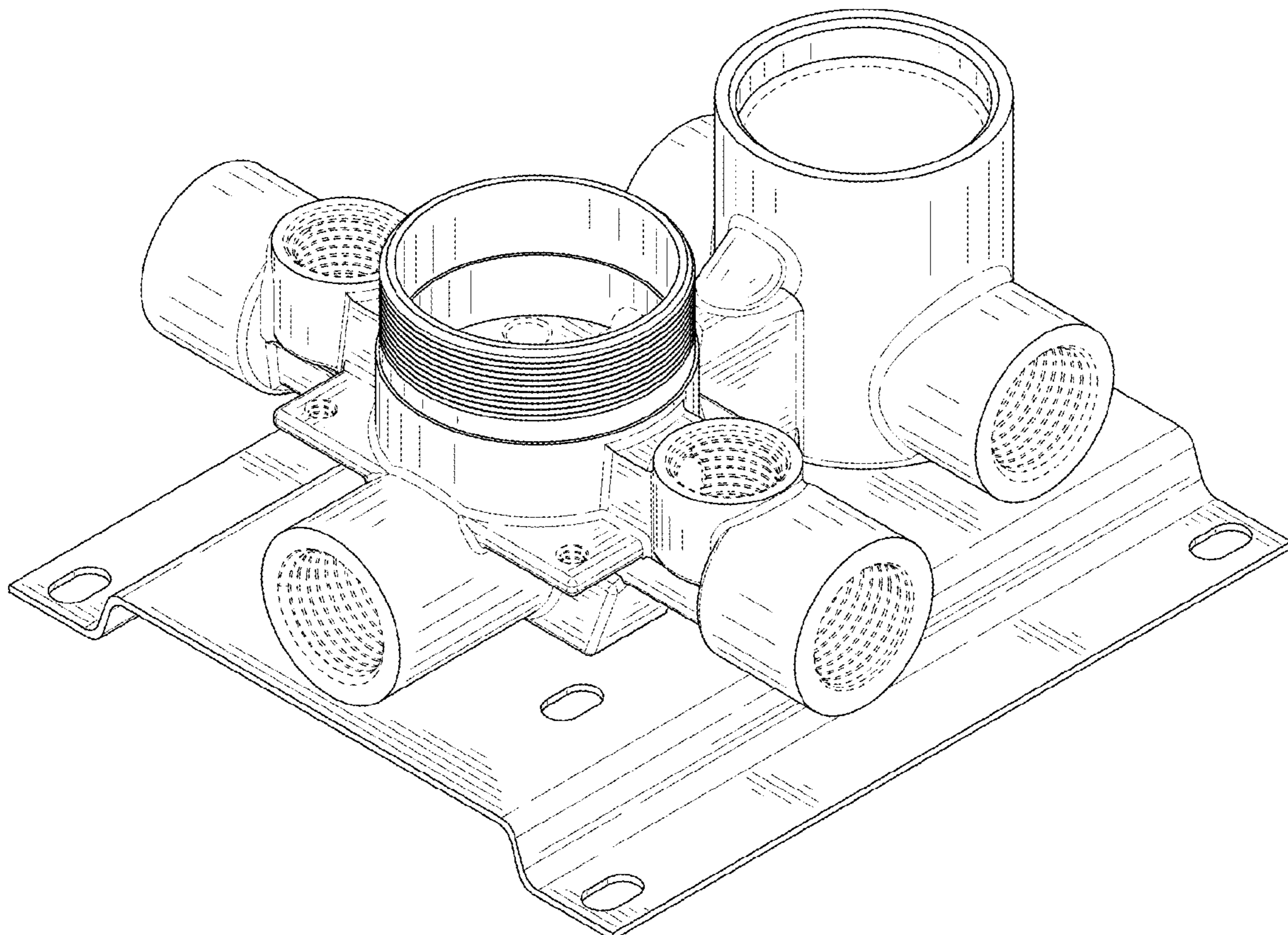
DESCRIPTION

FIG.1 is a first perspective view of a shower valve showing my new design;
FIG.2 is a second perspective view thereof;
FIG.3 is a front view thereof;
FIG.4 is a back view thereof;
FIG.5 is a left side view thereof
FIG.6 is a right side view thereof;
FIG.7 is a top view thereof; and,
FIG.8 is a bottom view thereof.

The broken lines shown in the drawings depict portions of the shower valve in which the design is embodied that form no part of the claimed design.

1 Claim, 8 Drawing Sheets

- (56) **References Cited**
U.S. PATENT DOCUMENTS
6,718,569 B2 * 4/2004 Burger E03C 1/023
137/270
D493,869 S * 8/2004 Citterio D23/245
D621,007 S * 8/2010 Bardsley D23/254



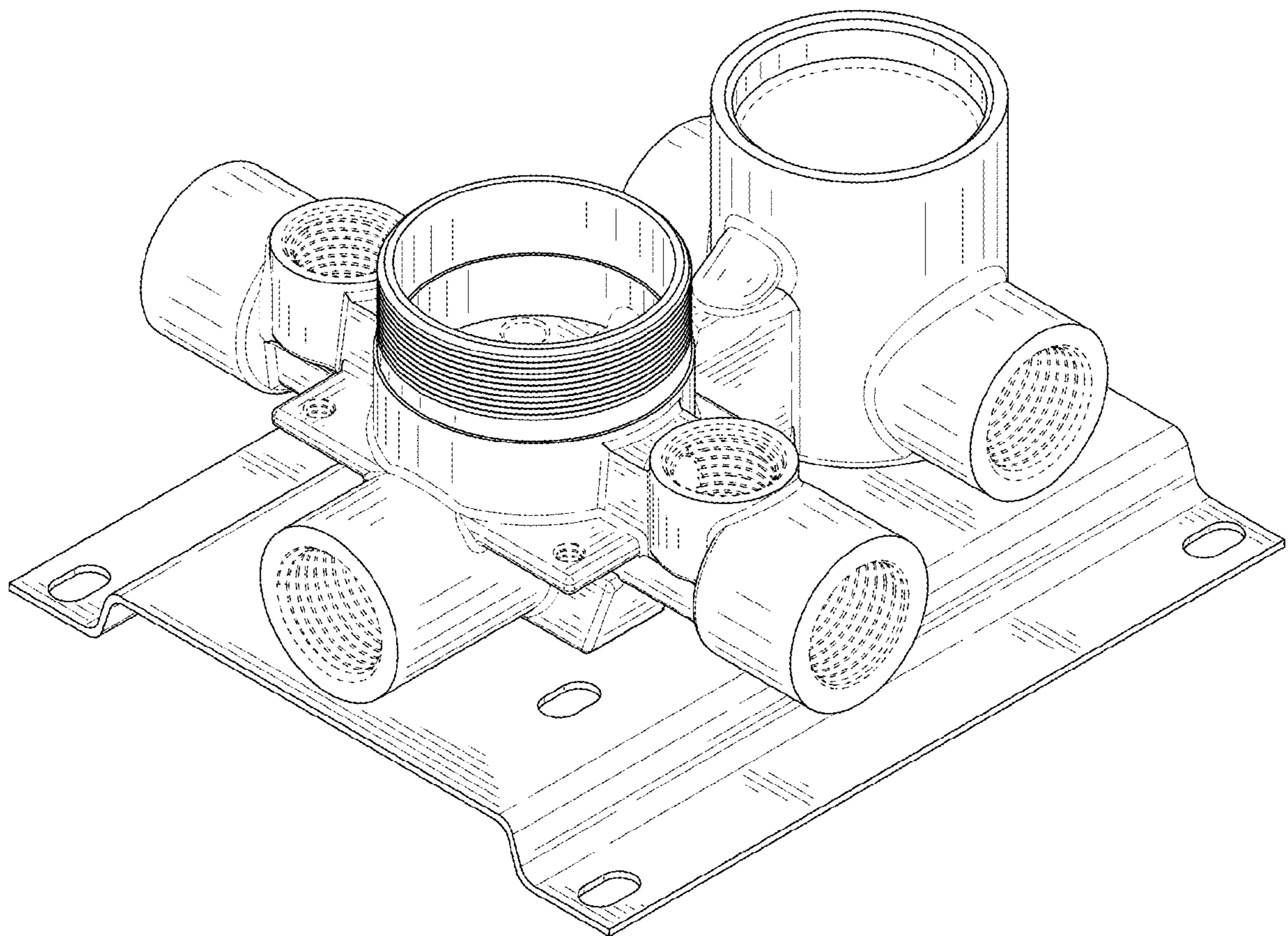


FIG. 1

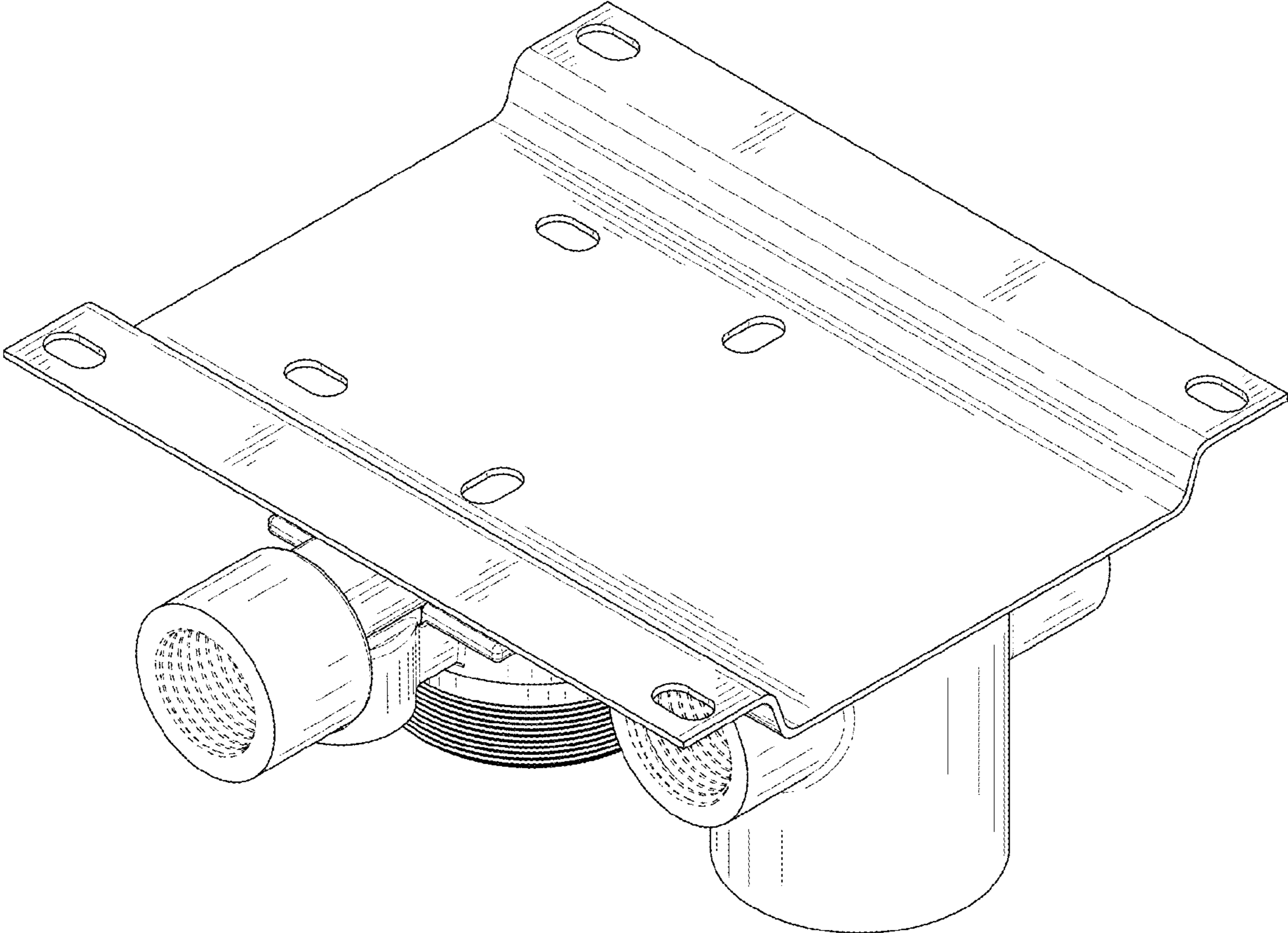


FIG. 2

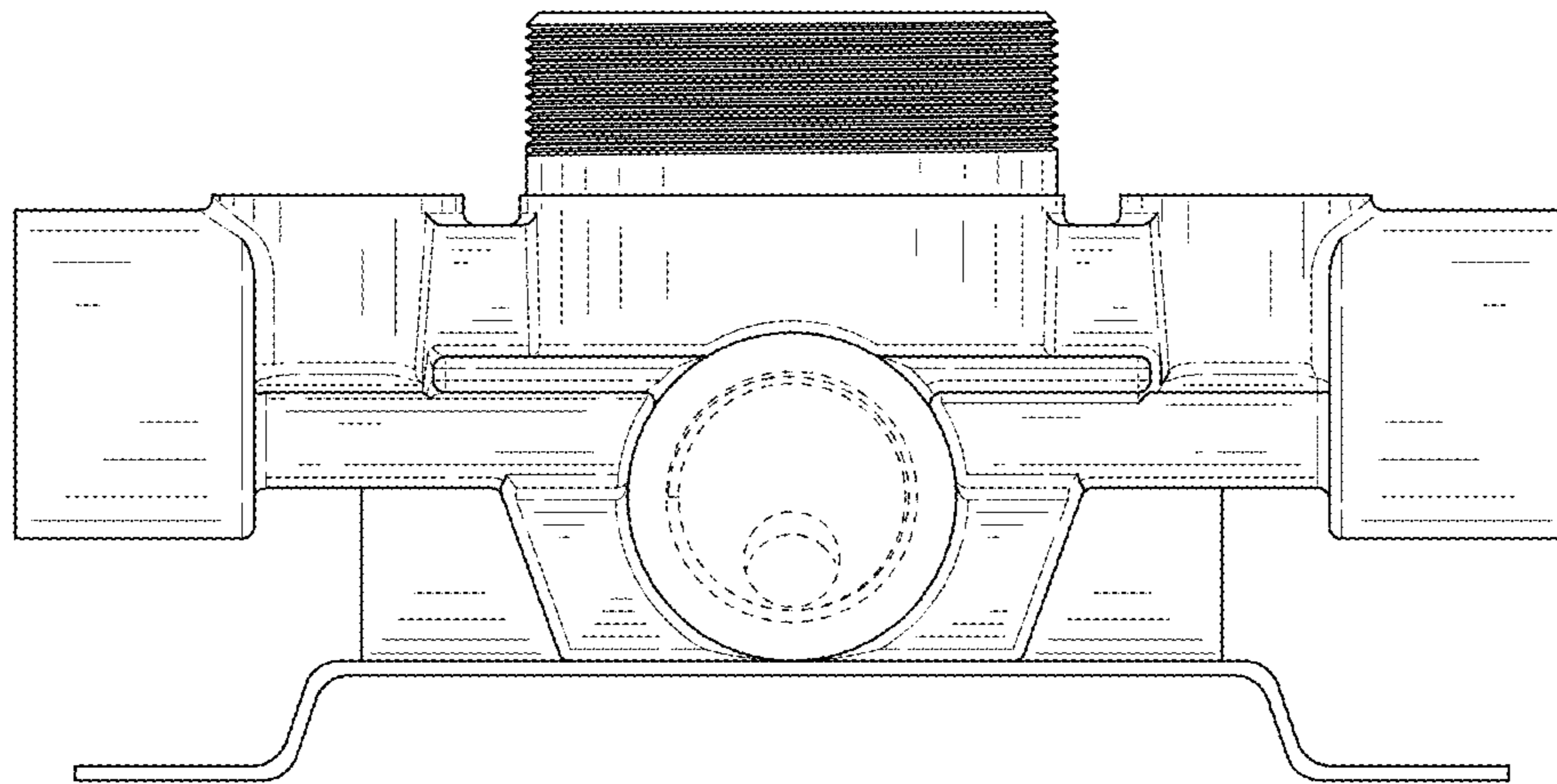


FIG. 3

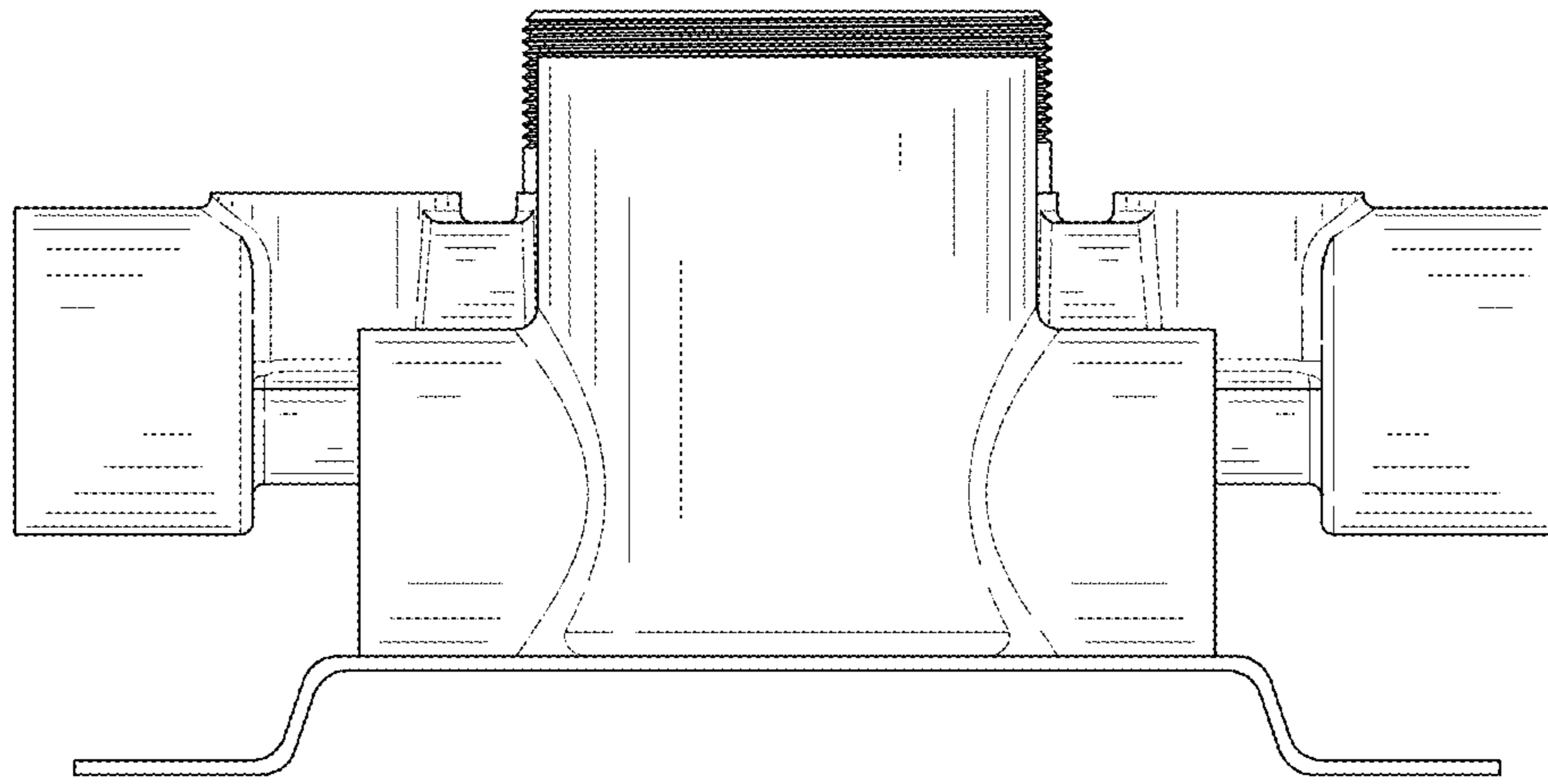


FIG. 4

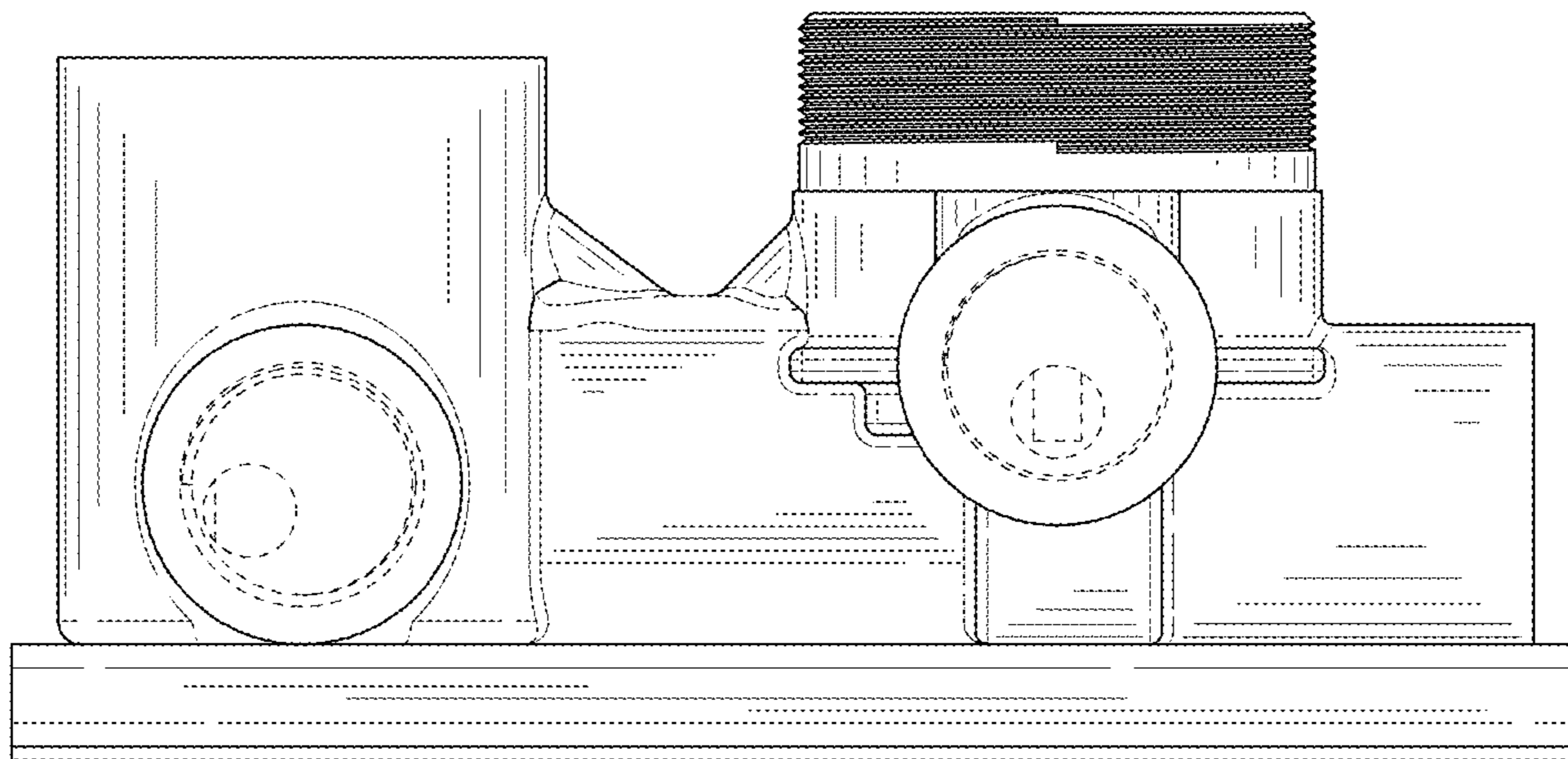


FIG. 5

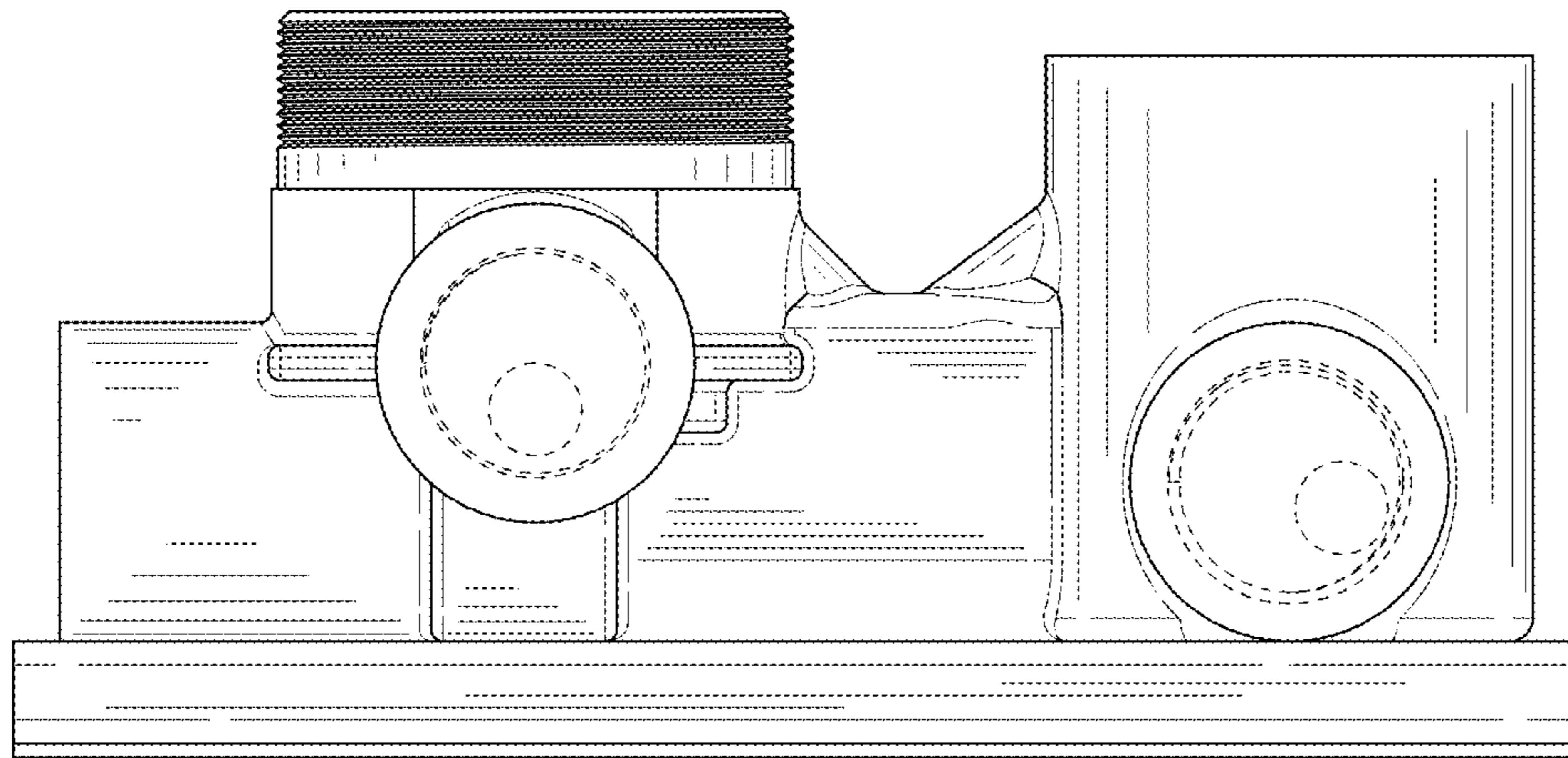


FIG. 6

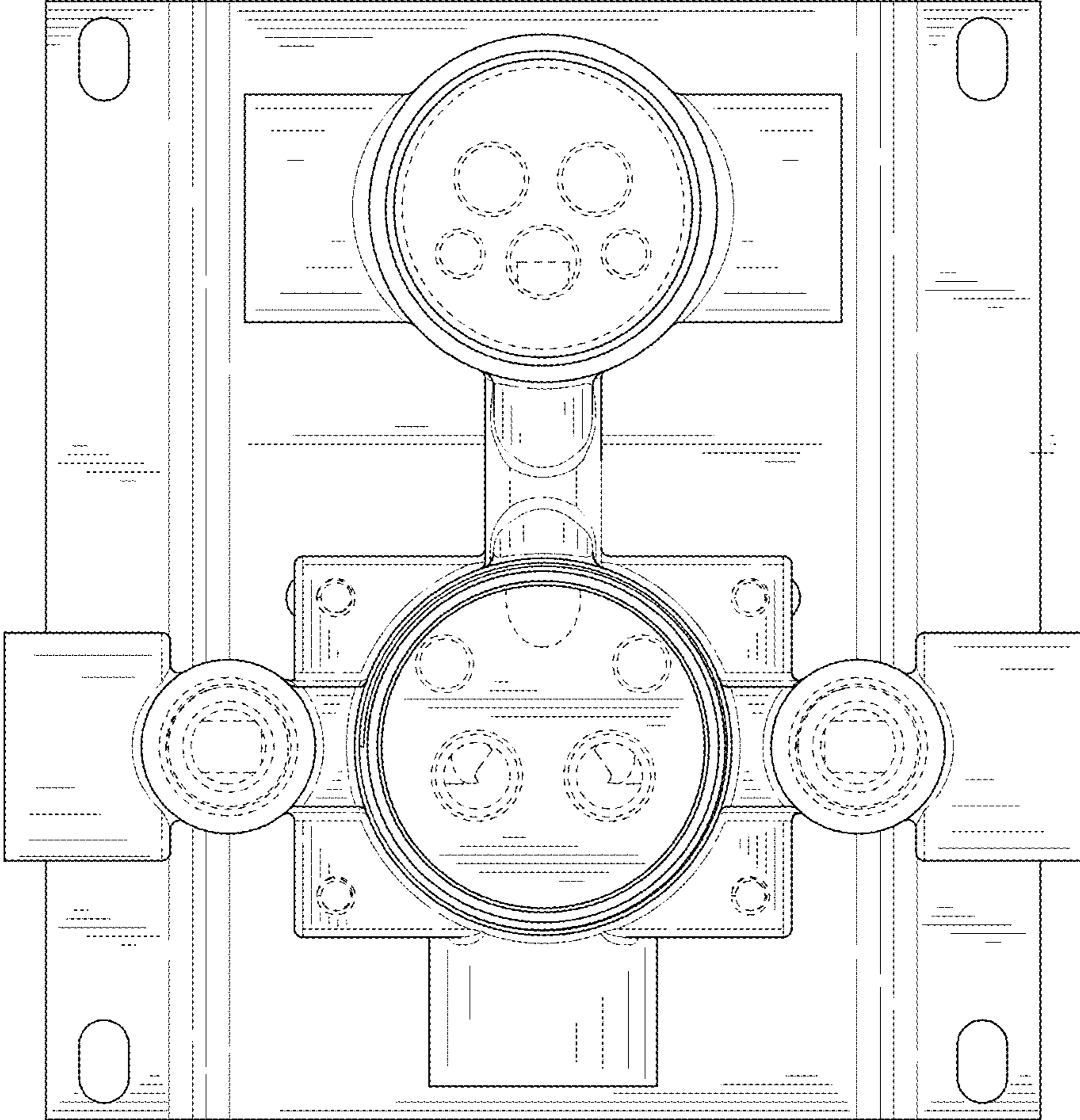


FIG. 7

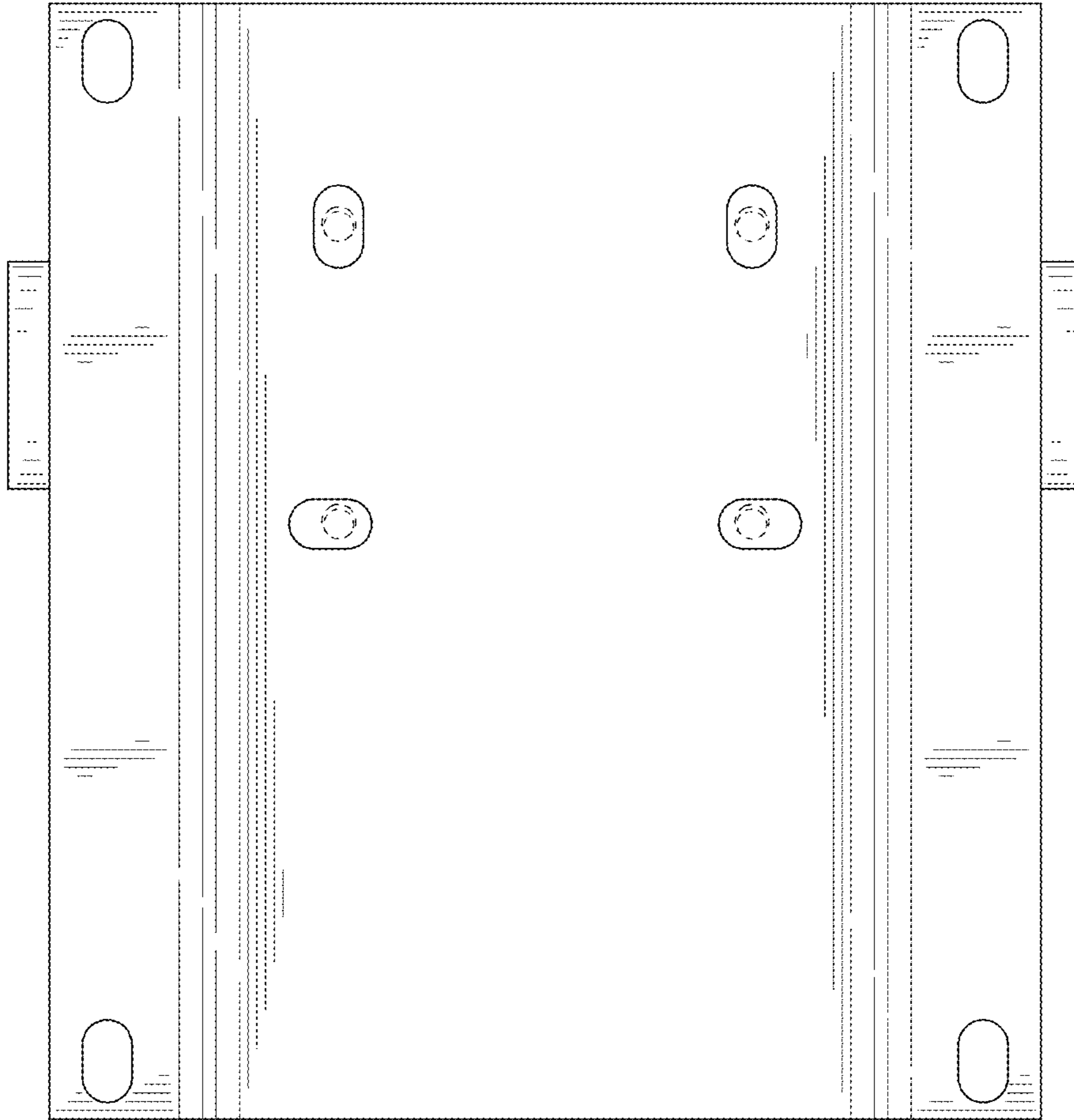


FIG. 8