



US00D883446S

(12) **United States Design Patent**
Comstock

(10) **Patent No.:** **US D883,446 S**

(45) **Date of Patent:** **** May 5, 2020**

(54) **ADAPTER FOR A LIQUID SPRAY NOZZLE**

(71) Applicant: **The Fountainhead Group, Inc.**, New York Mills, NY (US)

(72) Inventor: **Marty Comstock**, Herkimer, NY (US)

(73) Assignee: **The Fountainhead Group, Inc.**, New York Milles, NY (US)

(**) Term: **15 Years**

(21) Appl. No.: **29/682,474**

(22) Filed: **Mar. 5, 2019**

(51) **LOC (12) Cl.** **23-01**

(52) **U.S. Cl.**
USPC **D23/249**

(58) **Field of Classification Search**
USPC D23/209, 213, 223, 226, 249, 259, 260, 285/303, 285/365
CPC .. B01D 35/143; B01D 27/103; B01D 35/306; B01D 35/1475; B01D 2201/304; B01D 27/10; B01D 27/106
See application file for complete search history.

(56) **References Cited**

U.S. PATENT DOCUMENTS

| | | | | | | |
|-----------|---|---|---------|---------------|-------|------------------------|
| D221,651 | S | * | 8/1971 | Napper | | D23/259 |
| D229,496 | S | * | 12/1973 | Hand | | D23/262 |
| 4,827,539 | A | * | 5/1989 | Kiziah | | E03D 11/16 285/303 |
| 4,899,938 | A | * | 2/1990 | Havrilla, Jr. | | B05B 7/0815 239/294 |
| D319,291 | S | * | 8/1991 | Hanzel | | D23/212 |
| D349,758 | S | * | 8/1994 | Hallbach | | D23/259 |
| D364,916 | S | * | 12/1995 | Hallbach | | D23/259 |
| 5,799,364 | A | * | 9/1998 | Foisy | | A47L 5/24 15/338 |
| D402,354 | S | * | 12/1998 | Strong | | D23/259 |
| 5,996,134 | A | * | 12/1999 | Senninger | | E03D 11/16 138/96 R |

| | | | | | | |
|-----------|----|---|---------|-------------|-------|-------------------------|
| D418,590 | S | * | 1/2000 | Tracy | | D23/213 |
| D439,636 | S | * | 3/2001 | Hamilton | | D23/213 |
| 6,435,567 | B2 | * | 8/2002 | Kikumori | | F16L 25/0036 285/319 |
| D462,256 | S | * | 9/2002 | Jaynes | | D12/160 |
| 6,499,771 | B1 | * | 12/2002 | Snyder, Sr. | | F16L 37/0915 285/319 |
| D574,931 | S | * | 8/2008 | Hughes | | D23/262 |
| D595,420 | S | * | 6/2009 | Suzuki | | D24/227 |
| D595,421 | S | * | 6/2009 | Suzuki | | D24/227 |
| D595,863 | S | * | 7/2009 | Suzuki | | D24/227 |
| D627,432 | S | * | 11/2010 | Escoto, Jr. | | B05B 7/066 D23/213 |
| D638,104 | S | * | 5/2011 | Govoni | | D23/262 |
| D646,762 | S | * | 10/2011 | Terry | | D23/259 |
| D670,786 | S | * | 11/2012 | Mauchle | | D23/213 |

(Continued)

OTHER PUBLICATIONS

<https://shop.midsouthag.com/collections/spray-tips-nozzles/products/teejet-25610-1-nyr-quick-teejet-cap-with-gasket-black> (Year: 2020).*

Primary Examiner — Manpreet S Matharu

Assistant Examiner — Keith J Wilson

(74) *Attorney, Agent, or Firm* — Bond Schoeneck & King, PLLC; George McGuire

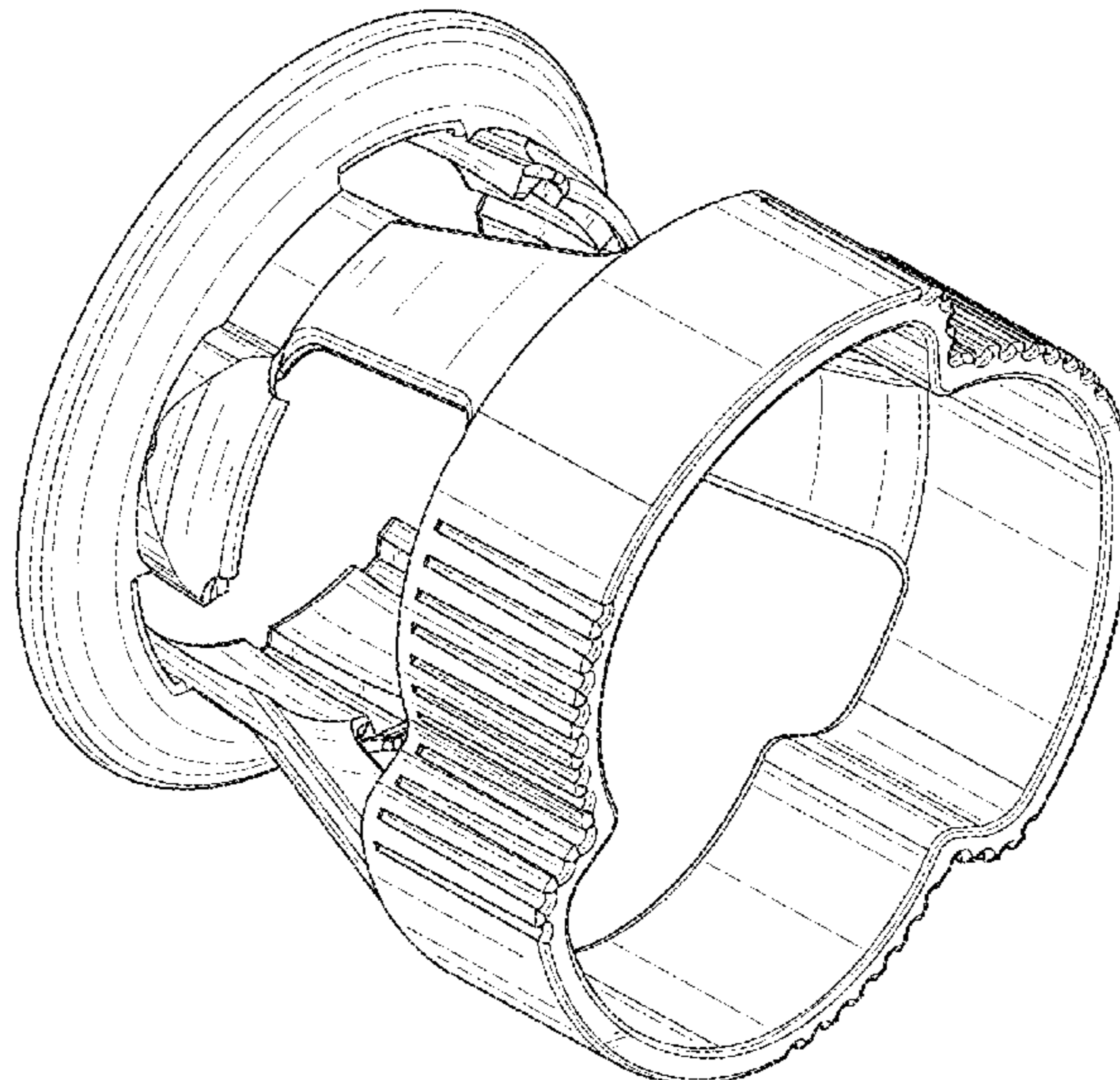
(57) **CLAIM**

The ornamental design for an adapter for a liquid spray nozzle, as shown and described.

DESCRIPTION

FIG. 1 is a perspective view of a new and ornamental design for an adapter for a liquid spray nozzle; FIG. 2 is a front elevation view thereof; FIG. 3 is a rear elevation view thereof; FIG. 4 is a first side elevation view thereof; FIG. 5 is a second side elevation view thereof; FIG. 6 is a top plan view thereof; and, FIG. 7 is a bottom plan view thereof.

1 Claim, 7 Drawing Sheets



(56)

References Cited

U.S. PATENT DOCUMENTS

| | | | | | | | | |
|----------------|---------|------------|-------|------------|-------------------|---------|--------------|---------------------|
| 8,474,878 B2 * | 7/2013 | Richter | | F16B 2/246 | | | | |
| | | | | 285/319 | | | | |
| D689,590 S * | 9/2013 | Brose | | D23/213 | | | | |
| D704,312 S * | 5/2014 | Kuo | | D23/259 | | | | |
| D717,405 S * | 11/2014 | Coronado | | D23/259 | | | | |
| D717,406 S * | 11/2014 | Stanley | | D23/259 | | | | |
| 8,910,677 B1 * | 12/2014 | Carpenter | | B60K 15/04 | | | | |
| | | | | 141/312 | | | | |
| D737,410 S * | 8/2015 | Wyne | | D23/259 | | | | |
| D738,470 S * | 9/2015 | Eaton | | F16L 21/08 | | | | |
| | | | | D23/259 | | | | |
| D782,621 S * | 3/2017 | Smith | | D23/259 | | | | |
| D784,495 S * | 4/2017 | Pearson | | D23/249 | | | | |
| 9,623,594 B2 * | 4/2017 | French | | F16L 21/03 | | | | |
| D806,833 S * | 1/2018 | Pearson | | D23/249 | | | | |
| D813,355 S * | 3/2018 | Weatherby | | D23/259 | | | | |
| D815,516 S * | 4/2018 | Karmarkar | | D8/382 | | | | |
| D816,811 S * | 5/2018 | Dagdelen | | D23/259 | | | | |
| D823,443 S * | 7/2018 | Bancroft | | D23/262 | | | | |
| D830,522 S * | 10/2018 | Di Liberto | | D23/259 | | | | |
| D833,581 S * | 11/2018 | Atwell | | D23/259 | | | | |
| D835,756 S * | 12/2018 | Auxter | | D23/249 | | | | |
| D836,755 S * | 12/2018 | Dale | | D23/259 | | | | |
| D844,113 S * | 3/2019 | Auxter | | D23/249 | | | | |
| D847,309 S * | 4/2019 | Sugatani | | D23/259 | | | | |
| D849,890 S * | 5/2019 | Tempel | | D23/233 | | | | |
| D851,220 S * | 6/2019 | Thompson | | D23/259 | | | | |
| D851,738 S * | 6/2019 | Ghorbani | | D23/259 | | | | |
| D852,934 S * | 7/2019 | Habres | | D23/259 | | | | |
| D855,781 S * | 8/2019 | Delancey | | D23/259 | | | | |
| D857,179 S * | 8/2019 | Thompson | | D23/259 | | | | |
| | | | | | D859,604 S * | 9/2019 | Dagdelen | D23/259 |
| | | | | | D861,054 S * | 9/2019 | Avila | D15/199 |
| | | | | | D865,919 S * | 11/2019 | Lippka | D23/262 |
| | | | | | D868,112 S * | 11/2019 | Tsuji | D15/5 |
| | | | | | 2003/0062428 A1 * | 4/2003 | Baasch | F02M 25/00 |
| | | | | | | | | 239/407 |
| | | | | | 2004/0080160 A1 * | 4/2004 | Rief | E04H 4/1654 |
| | | | | | | | | 285/276 |
| | | | | | 2006/0006651 A1 * | 1/2006 | Watanabe | F16L 25/0036 |
| | | | | | | | | 285/247 |
| | | | | | 2007/0228727 A1 * | 10/2007 | Matsuno | F16L 37/0985 |
| | | | | | | | | 285/305 |
| | | | | | 2012/0325335 A1 * | 12/2012 | Schalkx | F16L 37/2445 |
| | | | | | | | | 137/315.01 |
| | | | | | 2014/0327238 A1 * | 11/2014 | Bowman | F16L 21/08 |
| | | | | | | | | 285/112 |
| | | | | | 2014/0338773 A1 * | 11/2014 | French | F16L 37/1225 |
| | | | | | | | | 138/109 |
| | | | | | 2015/0060577 A1 * | 3/2015 | Kosovich | B05B 13/0627 |
| | | | | | | | | 239/587.1 |
| | | | | | 2015/0176728 A1 * | 6/2015 | Bowman | F16L 21/065 |
| | | | | | | | | 285/309 |
| | | | | | 2015/0353340 A1 * | 12/2015 | Gammon | B64D 37/00 |
| | | | | | | | | 141/1 |
| | | | | | 2017/0328500 A1 * | 11/2017 | Bowman | F16L 17/04 |
| | | | | | 2017/0328505 A1 * | 11/2017 | Sith | F16L 37/0915 |
| | | | | | 2017/0334705 A1 * | 11/2017 | Murugo Perez | B67D 7/06 |
| | | | | | 2018/0156362 A1 * | 6/2018 | Takeda | B25B 27/10 |
| | | | | | 2018/0163905 A1 * | 6/2018 | Ohnemus | F16L 21/005 |
| | | | | | 2018/0209567 A1 * | 7/2018 | Brandt | F16L 17/04 |
| | | | | | 2018/0304179 A1 * | 10/2018 | Auxter | B01D 27/06 |
| | | | | | 2018/0326449 A1 * | 11/2018 | Dale | B05C 17/00513 |

* cited by examiner

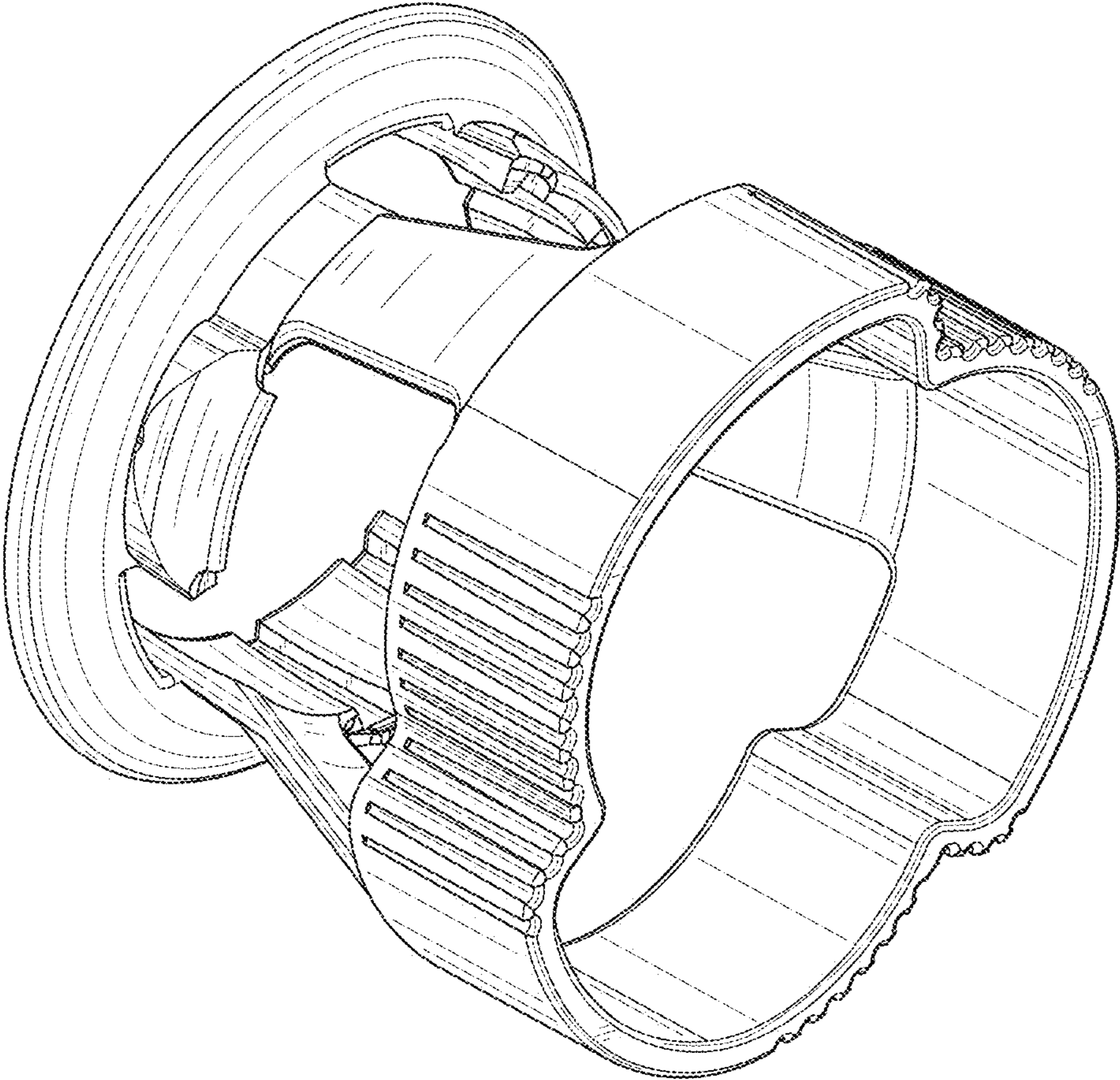


FIG. 1

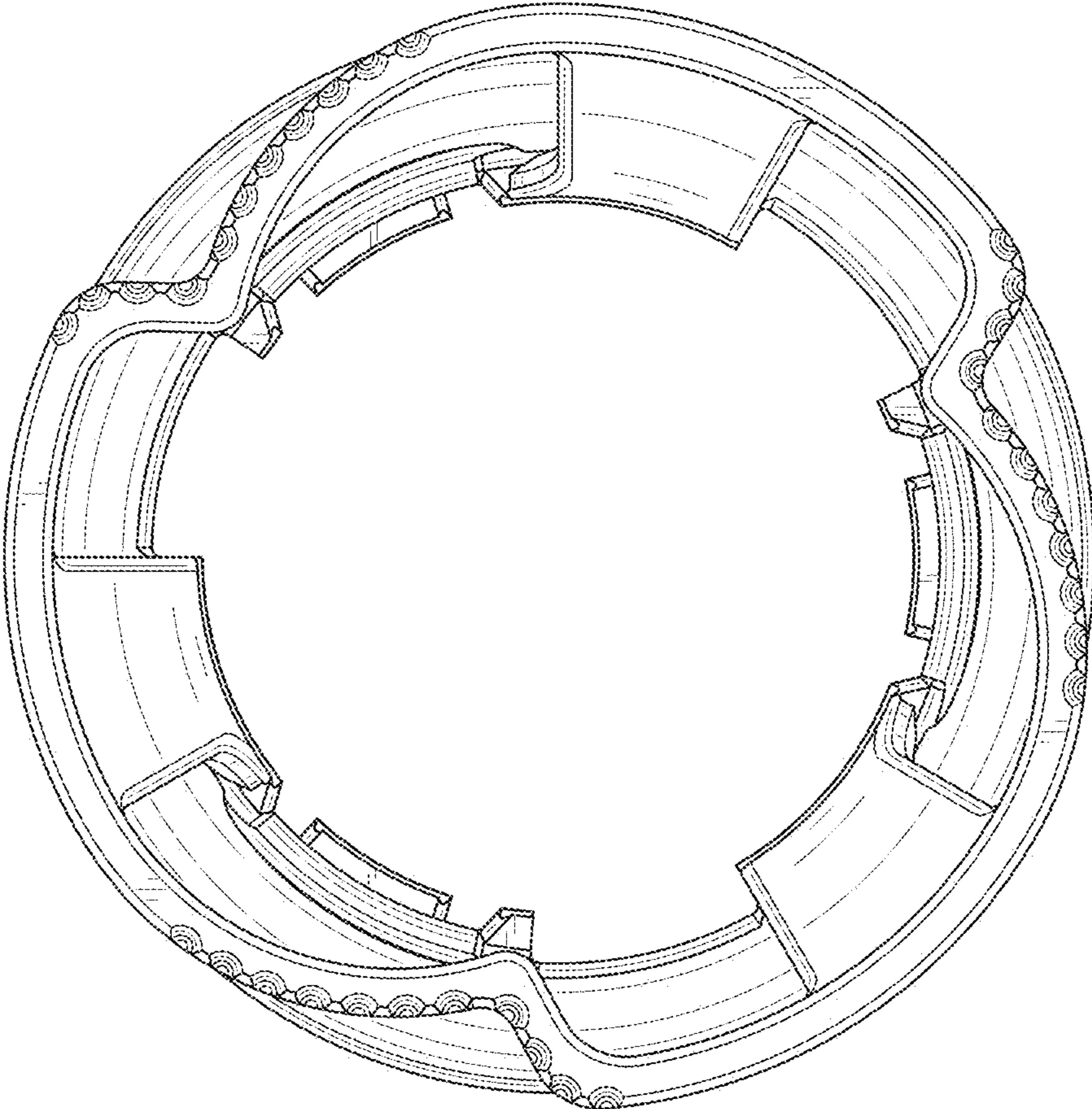


FIG. 2

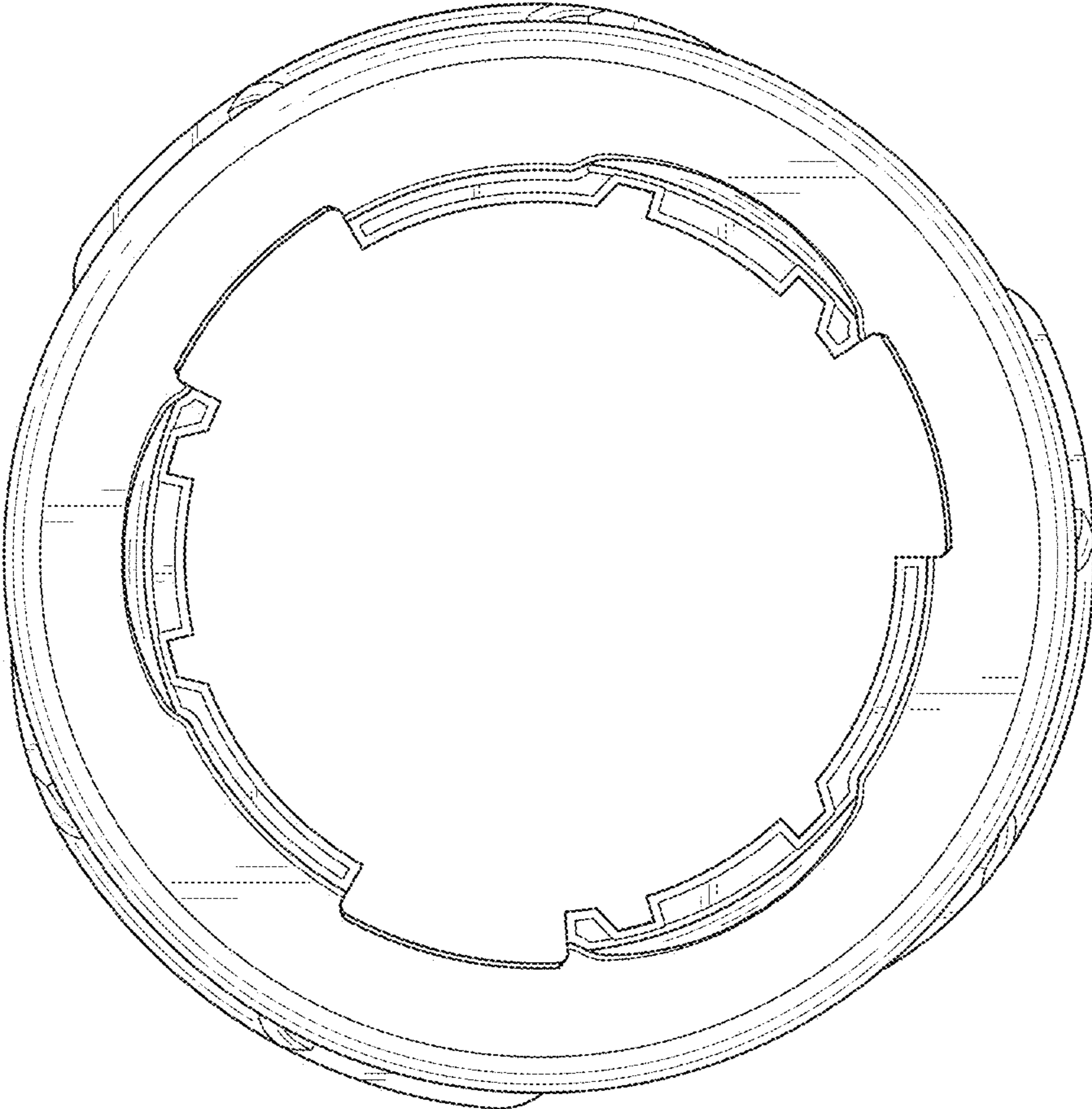


FIG. 3

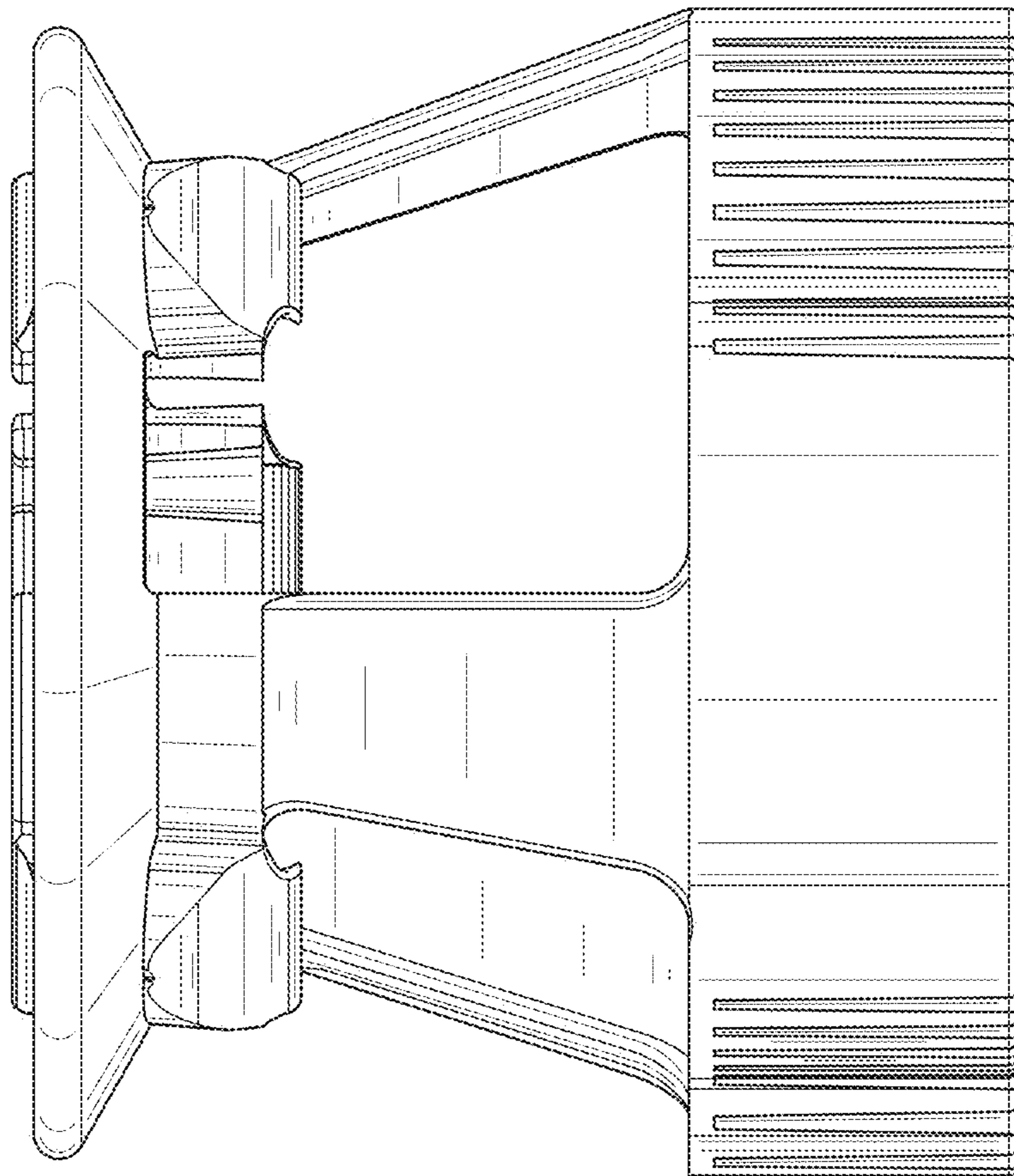


FIG. 4

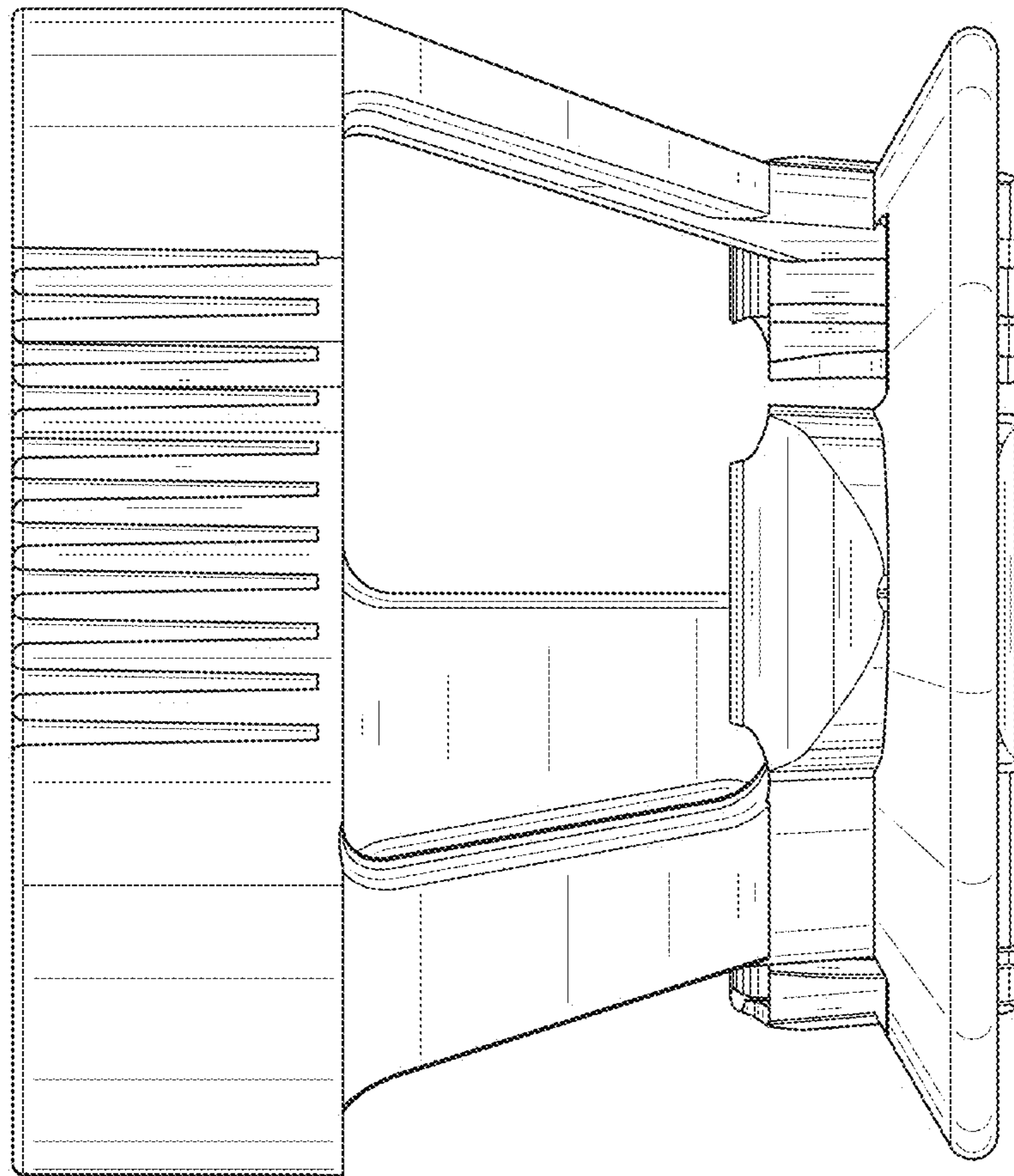


FIG. 5

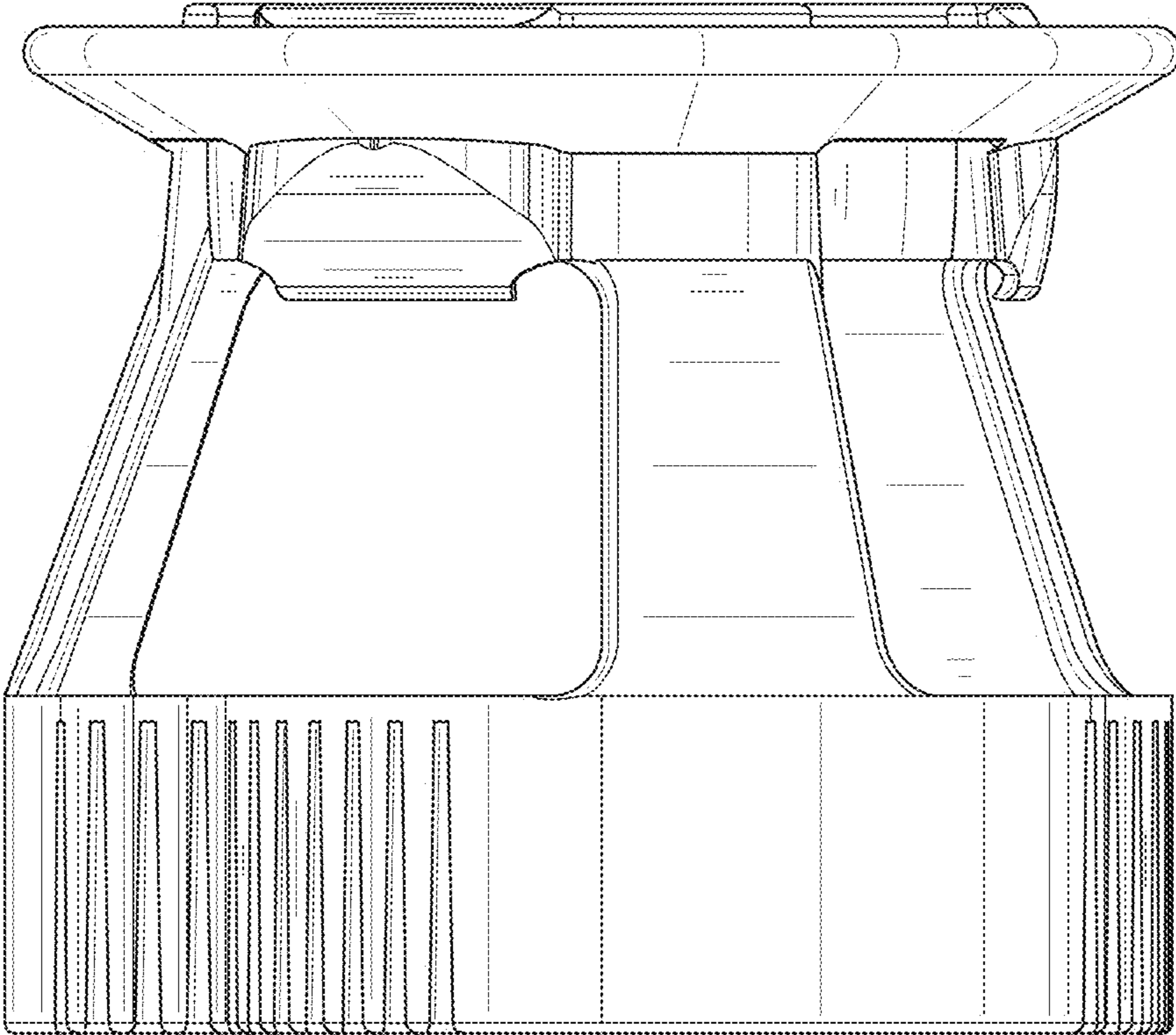


FIG. 6

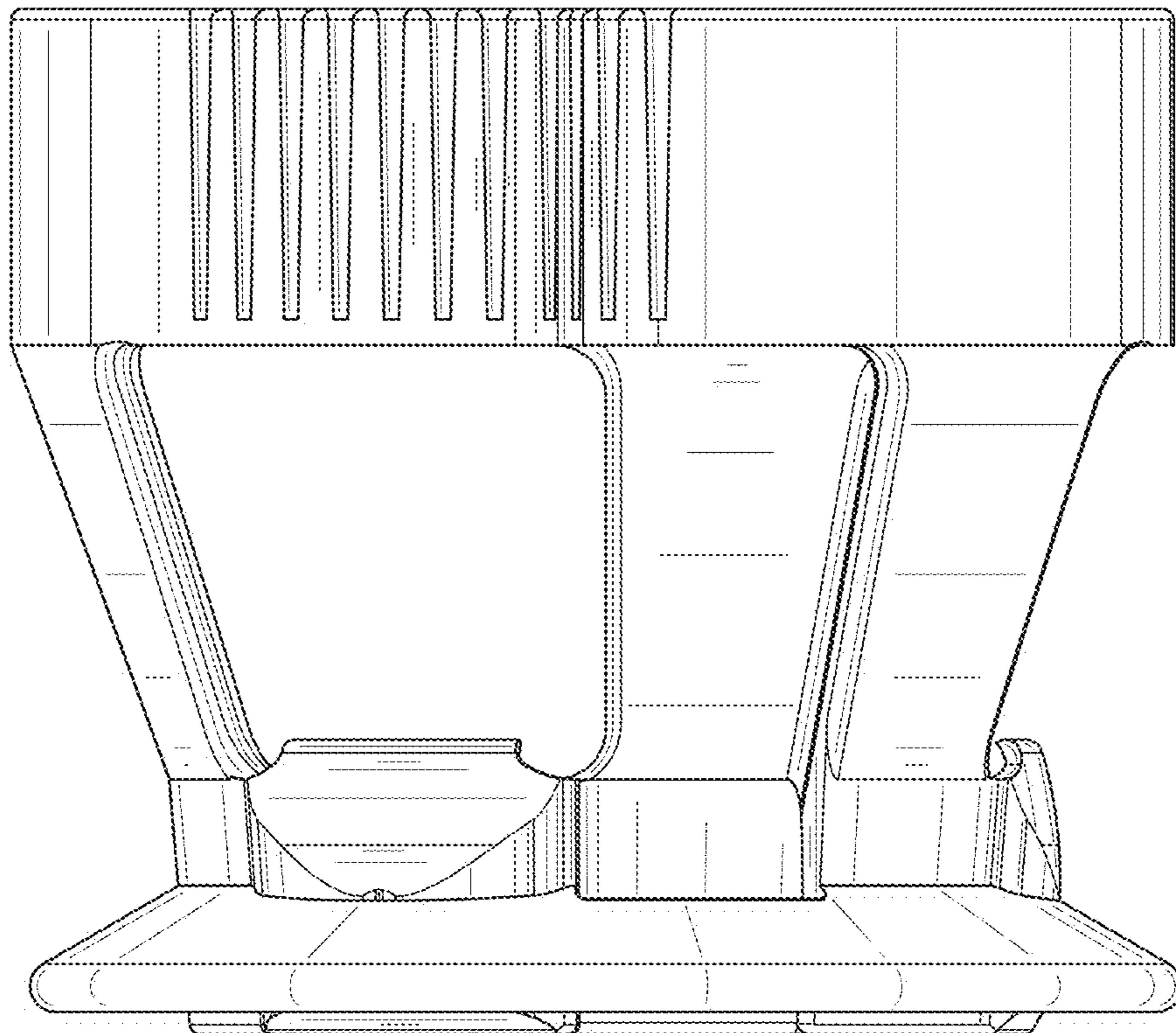


FIG. 7