



US00D883444S

(12) **United States Design Patent** (10) **Patent No.:** **US D883,444 S**
Block et al. (45) **Date of Patent:** **** May 5, 2020**

(54) **FLUSH VALVE HOUSING**
(71) Applicant: **Zurn Industries, LLC**, Milwaukee, WI (US)
(72) Inventors: **Marc G. Block**, Apex, NC (US); **Chad Williams**, Apex, NC (US); **Alan Kaid**, Cary, NC (US); **Michael G. Askew**, Garner, NC (US)

5,169,118 A 12/1992 Whiteside
5,174,324 A 12/1992 Chrysler
5,244,179 A 9/1993 Wilson
D355,478 S * 2/1995 Allen D23/249
5,411,241 A 5/1995 Nilsson et al.
5,417,083 A 5/1995 Eber
RE35,545 E 7/1997 Chrysler
(Continued)

(73) Assignee: **ZURN INDUSTRIES, LLC**, Milwaukee, WI (US)

(**) Term: **15 Years**

(21) Appl. No.: **29/672,286**

(22) Filed: **Dec. 4, 2018**

(51) **LOC (12) Cl.** **23-01**

(52) **U.S. Cl.**
USPC **D23/249**

(58) **Field of Classification Search**
USPC D23/233-237, 260, 261, 249, 250;
251/40, 38, 129.04, 30.01-30.05, 45,
251/129.03
CPC E03D 1/34; E03D 3/02; E03D 5/10; E03D
3/06; F16K 31/3855; F16K 21/06; F16K
27/02; F16K 31/06; F16K 31/18
See application file for complete search history.

(56) **References Cited**

U.S. PATENT DOCUMENTS

3,696,954 A 10/1972 Weisker et al.
3,831,621 A 8/1974 Anthony et al.
3,834,416 A 9/1974 Parkison
4,420,811 A 12/1983 Tarnay et al.
4,501,297 A 2/1985 Baker
4,611,757 A 9/1986 Saether
4,700,885 A 10/1987 Knebel
4,793,588 A 12/1988 Laverty, Jr.
4,821,765 A 4/1989 Iqbal et al.
5,022,429 A 6/1991 Rollini et al.

FOREIGN PATENT DOCUMENTS

EP 1096189 A1 5/2001

Primary Examiner — Cynthia Ramirez

Assistant Examiner — Gino Colan

(74) *Attorney, Agent, or Firm* — Michael Best & Friedrich LLP

(57) **CLAIM**

The ornamental design for a flush valve housing, as shown and described.

DESCRIPTION

FIG. 1 is a top, front, and right side perspective view of a flush valve housing in accordance with an embodiment of the design;

FIG. 2 is a front elevational view of the flush valve housing of FIG. 1;

FIG. 3 is a rear elevational view of the flush valve housing of FIG. 1;

FIG. 4 is a top plan view of the flush valve housing of FIG. 1;

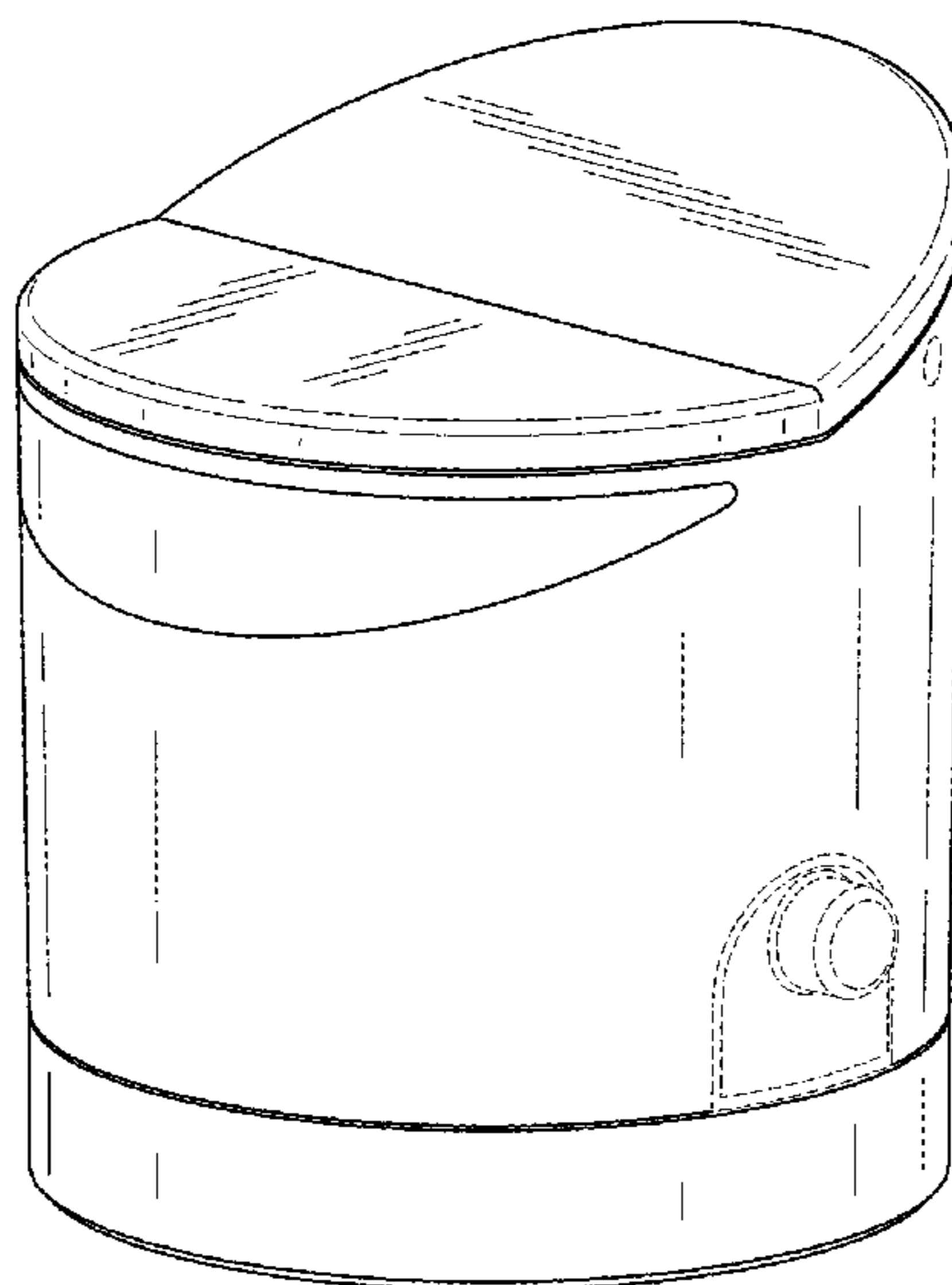
FIG. 5 is a bottom plan view of the flush valve housing of FIG. 1;

FIG. 6 is a right side elevational view of the flush valve housing of FIG. 1; and,

FIG. 7 is a left side elevational view of the flush valve housing of FIG. 1.

The broken lines shown in the figures are for the purpose of illustrating portions of the flush valve housing which form no part of the claimed design.

1 Claim, 4 Drawing Sheets



(56)

References Cited

U.S. PATENT DOCUMENTS

| | | | | | | | | |
|-----------|-----|---------|-------------------|---------|--------------|-----|---------|-------------------|
| 5,681,028 | A | 10/1997 | Cook et al. | | 8,087,636 | B2 | 1/2012 | Maercovich et al. |
| D396,090 | S * | 7/1998 | Marcichow | D23/233 | 8,091,856 | B2 | 1/2012 | Maercovich et al. |
| 5,868,311 | A | 2/1999 | Cretu-Petra | | 8,375,990 | B2 | 2/2013 | Veros |
| 5,918,626 | A | 7/1999 | Strong et al. | | 8,485,496 | B2 | 7/2013 | Johnson |
| 6,000,674 | A | 12/1999 | Cheng | | 8,585,009 | B2 | 11/2013 | Zhu et al. |
| 6,056,201 | A | 5/2000 | Ta | | 8,596,606 | B2 | 12/2013 | Maercovich |
| 6,209,581 | B1 | 4/2001 | Gyozo | | 8,714,516 | B2 | 5/2014 | Maercovich et al. |
| 6,341,731 | B1 | 1/2002 | Knapp | | 8,739,829 | B2 | 6/2014 | Maercovich et al. |
| 6,349,921 | B1 | 2/2002 | Jahrling | | D751,182 | S * | 3/2016 | Huang |
| 6,457,697 | B1 | 10/2002 | Kolze | | | | | D23/233 |
| 6,634,380 | B2 | 10/2003 | Bartkus et al. | | 9,340,959 | B2 | 5/2016 | Peel |
| 6,676,024 | B1 | 1/2004 | McNerney et al. | | 9,366,015 | B2 | 6/2016 | Peel |
| D498,821 | S * | 11/2004 | Nortier | D23/249 | 9,574,336 | B1 | 2/2017 | Maercovich |
| 6,840,496 | B2 | 1/2005 | Maercovich et al. | | 9,594,383 | B2 | 3/2017 | Peel |
| 6,845,524 | B2 | 1/2005 | Hwang | | 9,644,757 | B2 | 5/2017 | Peel et al. |
| 6,845,961 | B2 | 1/2005 | Maercovich et al. | | 9,650,770 | B2 | 5/2017 | Peel |
| 6,854,658 | B1 | 2/2005 | Houghton et al. | | 9,689,149 | B2 | 6/2017 | Peel |
| 6,959,731 | B2 | 11/2005 | Bartkus et al. | | 9,803,759 | B2 | 10/2017 | Bachofer |
| 7,325,747 | B2 | 2/2008 | Jonte | | 9,850,644 | B1 | 12/2017 | Huang |
| 7,373,950 | B2 | 5/2008 | Huang | | 2003/0088338 | A1 | 5/2003 | Phillips et al. |
| 7,458,520 | B2 | 12/2008 | Belz et al. | | 2003/0178591 | A1 | 9/2003 | Hwang et al. |
| 7,510,166 | B2 | 3/2009 | Maercovich et al. | | 2004/0193326 | A1 | 9/2004 | Phillips et al. |
| D598,976 | S * | 8/2009 | Parsons | D23/233 | 2007/0068583 | A1 | 3/2007 | Johnson et al. |
| D599,886 | S * | 9/2009 | Parsons | D23/233 | 2013/0075483 | A1 | 3/2013 | Marty et al. |
| D600,782 | S * | 9/2009 | Parsons | D23/233 | 2014/0345729 | A1 | 11/2014 | Chang |
| D601,224 | S * | 9/2009 | Parsons | D23/233 | 2014/0359935 | A1 | 12/2014 | Veros et al. |
| 7,584,898 | B2 | 9/2009 | Schmitt et al. | | 2015/0168960 | A1 | 6/2015 | Huck et al. |
| 7,624,757 | B2 | 12/2009 | Schmitt | | 2015/0233483 | A1 | 8/2015 | Bachofer |
| 7,631,505 | B2 | 12/2009 | Seitz et al. | | 2016/0186867 | A1 | 6/2016 | Maercovich |
| 7,669,776 | B2 | 3/2010 | Beck et al. | | 2016/0252915 | A1 | 9/2016 | Peel |
| 7,717,131 | B2 | 5/2010 | Creswell et al. | | 2016/0333556 | A1 | 11/2016 | Veros et al. |
| 7,726,338 | B2 | 6/2010 | Clasen et al. | | 2017/0152961 | A1 | 6/2017 | Peel |
| 7,802,733 | B2 | 9/2010 | Schmitt | | 2017/0219114 | A1 | 8/2017 | Peel et al. |
| 7,946,504 | B2 | 5/2011 | Shapira et al. | | 2017/0298608 | A1 | 10/2017 | Maercovich |
| | | | | | 2017/0321809 | A1 | 11/2017 | Hashimoto et al. |
| | | | | | 2017/0321811 | A1 | 11/2017 | Hashimoto et al. |
| | | | | | 2017/0322565 | A1 | 11/2017 | Hashimoto et al. |
| | | | | | 2018/0073227 | A1 | 3/2018 | Peel |

* cited by examiner

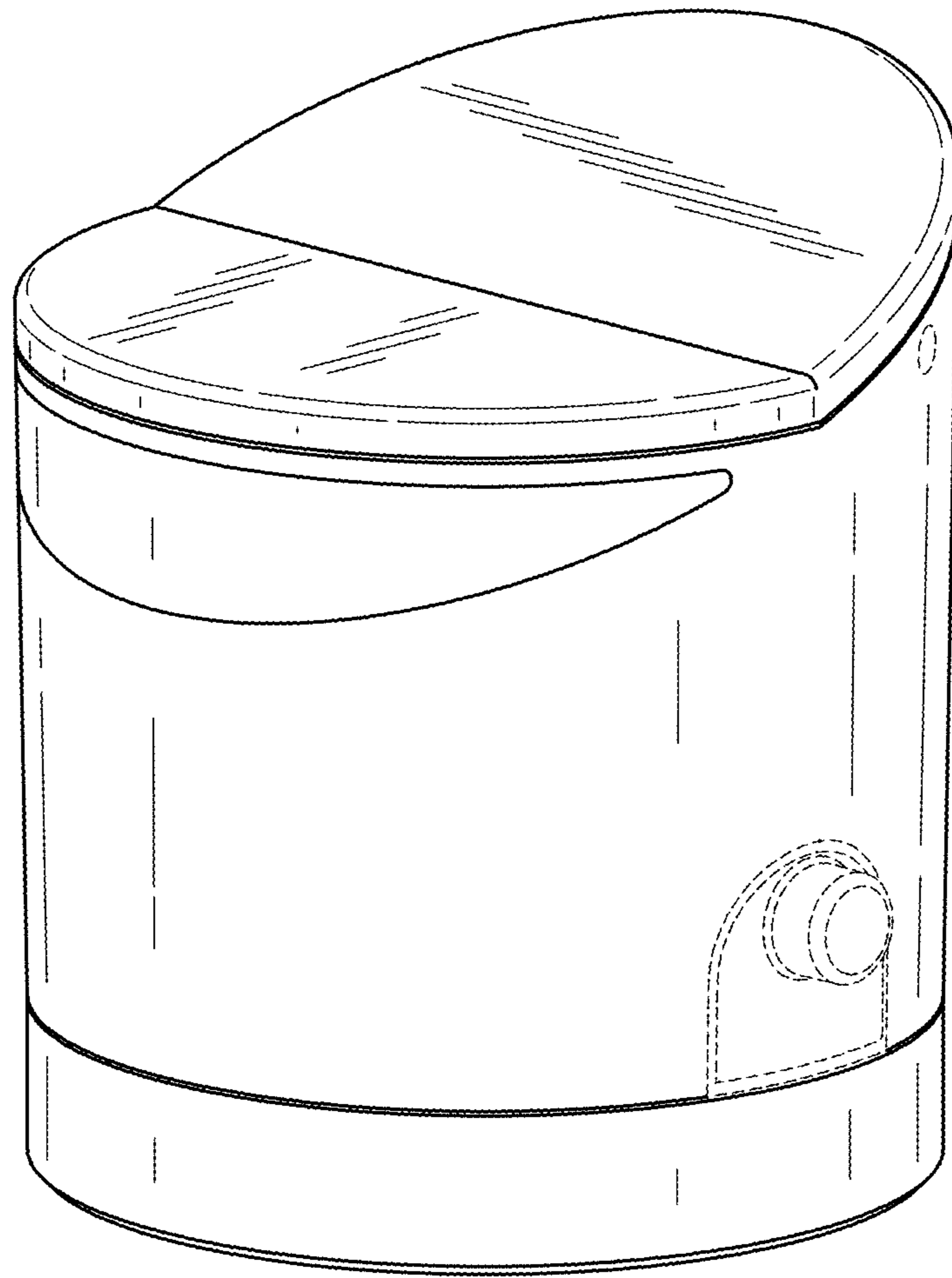


FIG. 1

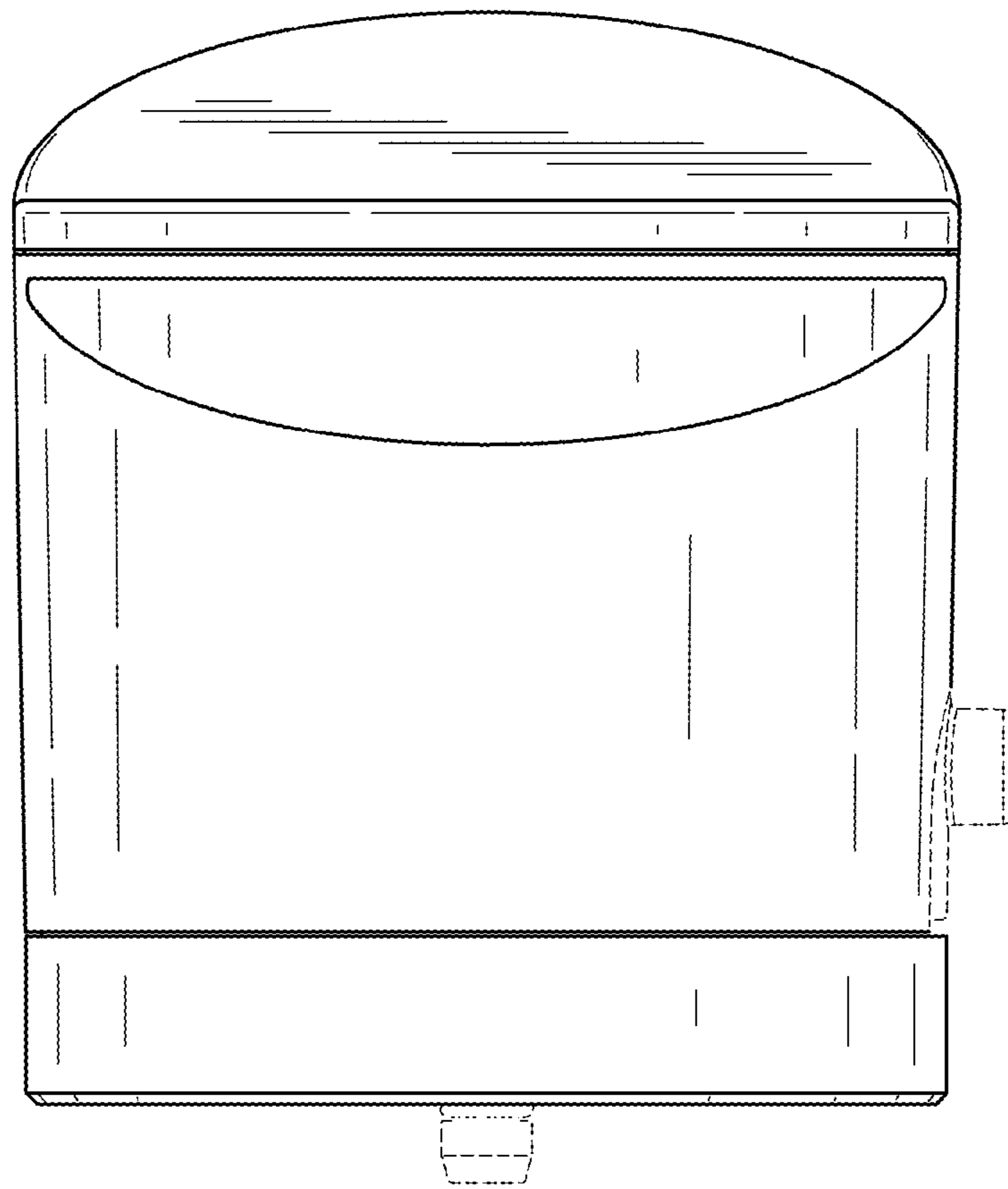


FIG. 2

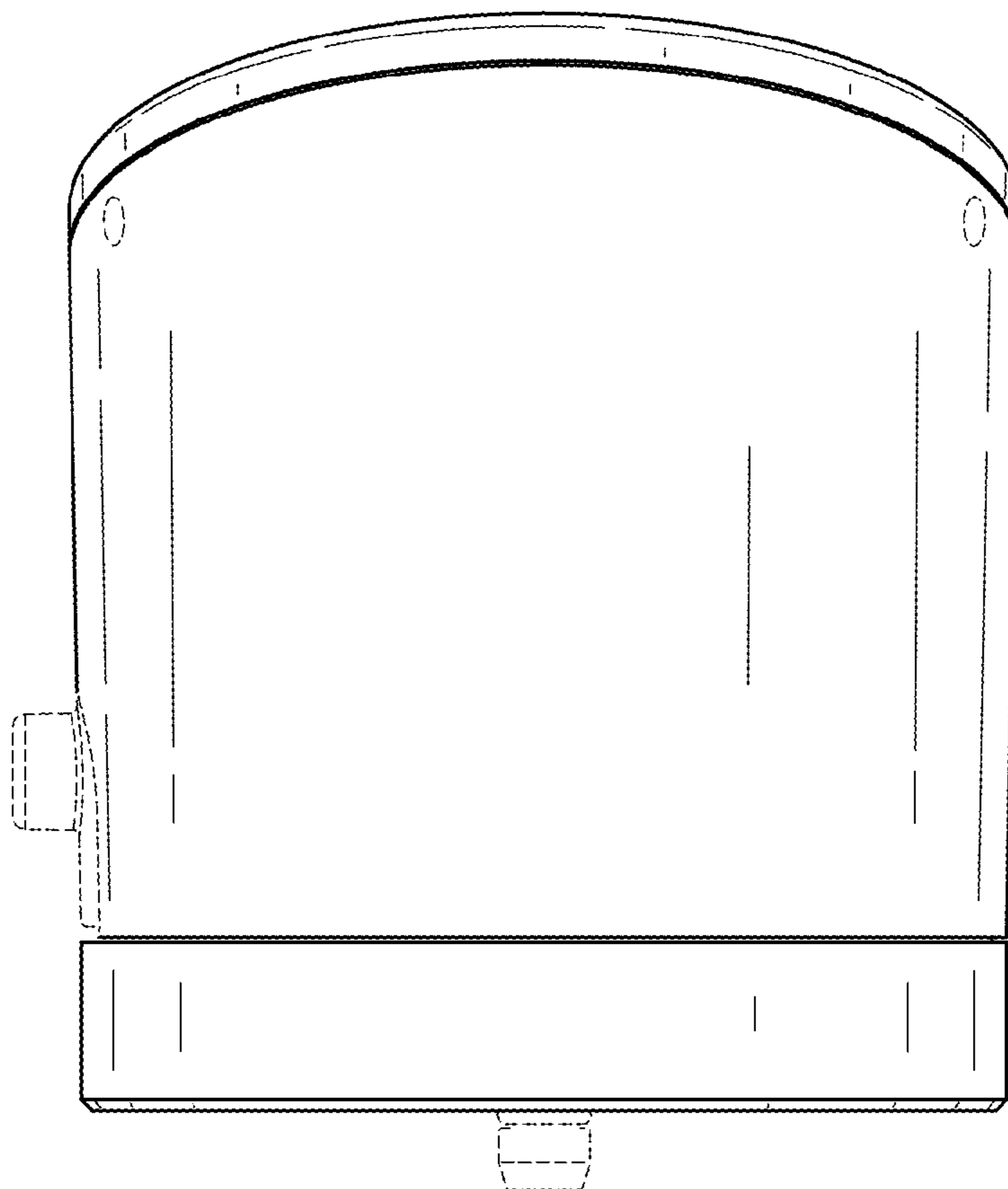


FIG. 3

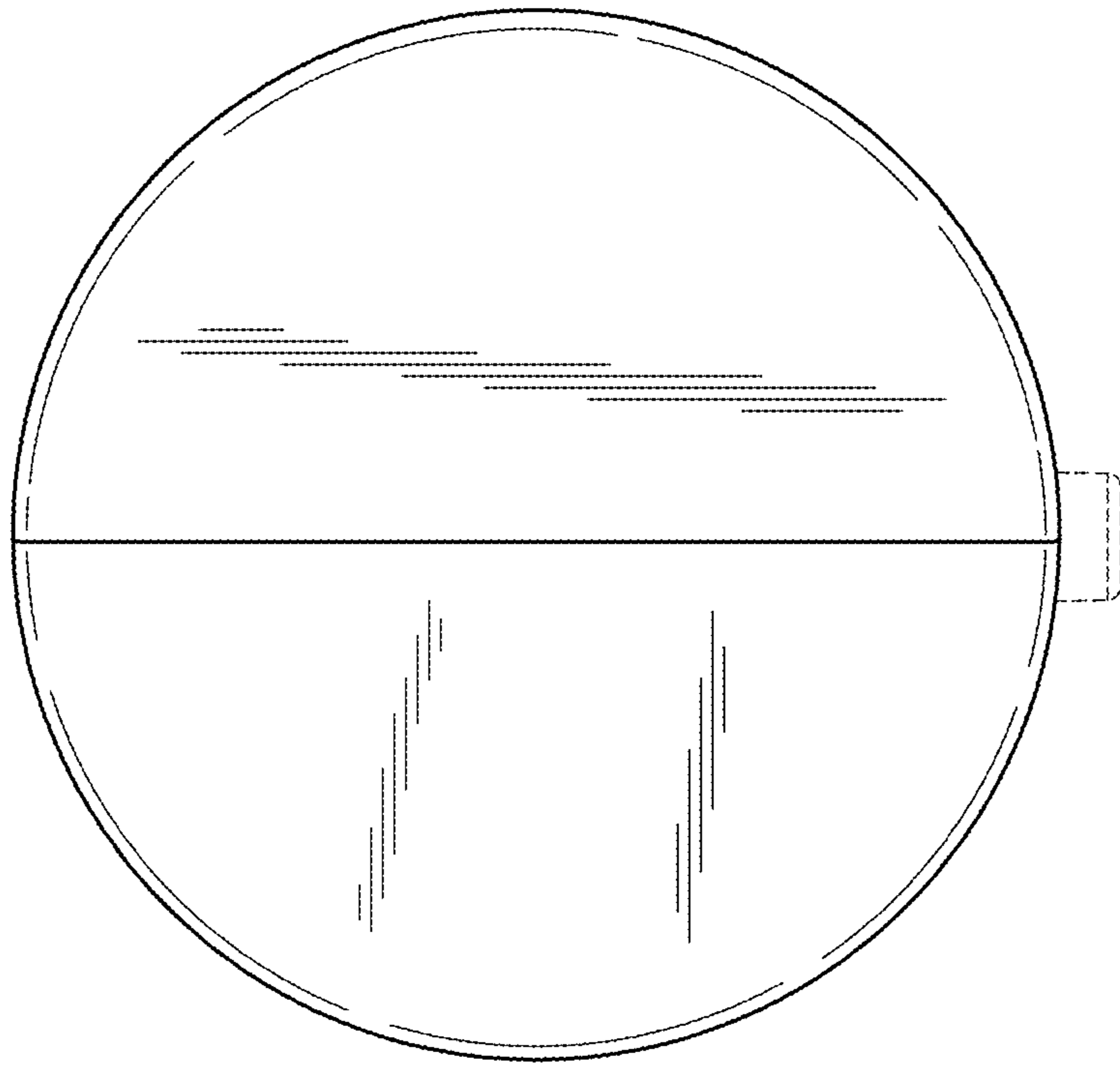


FIG. 4

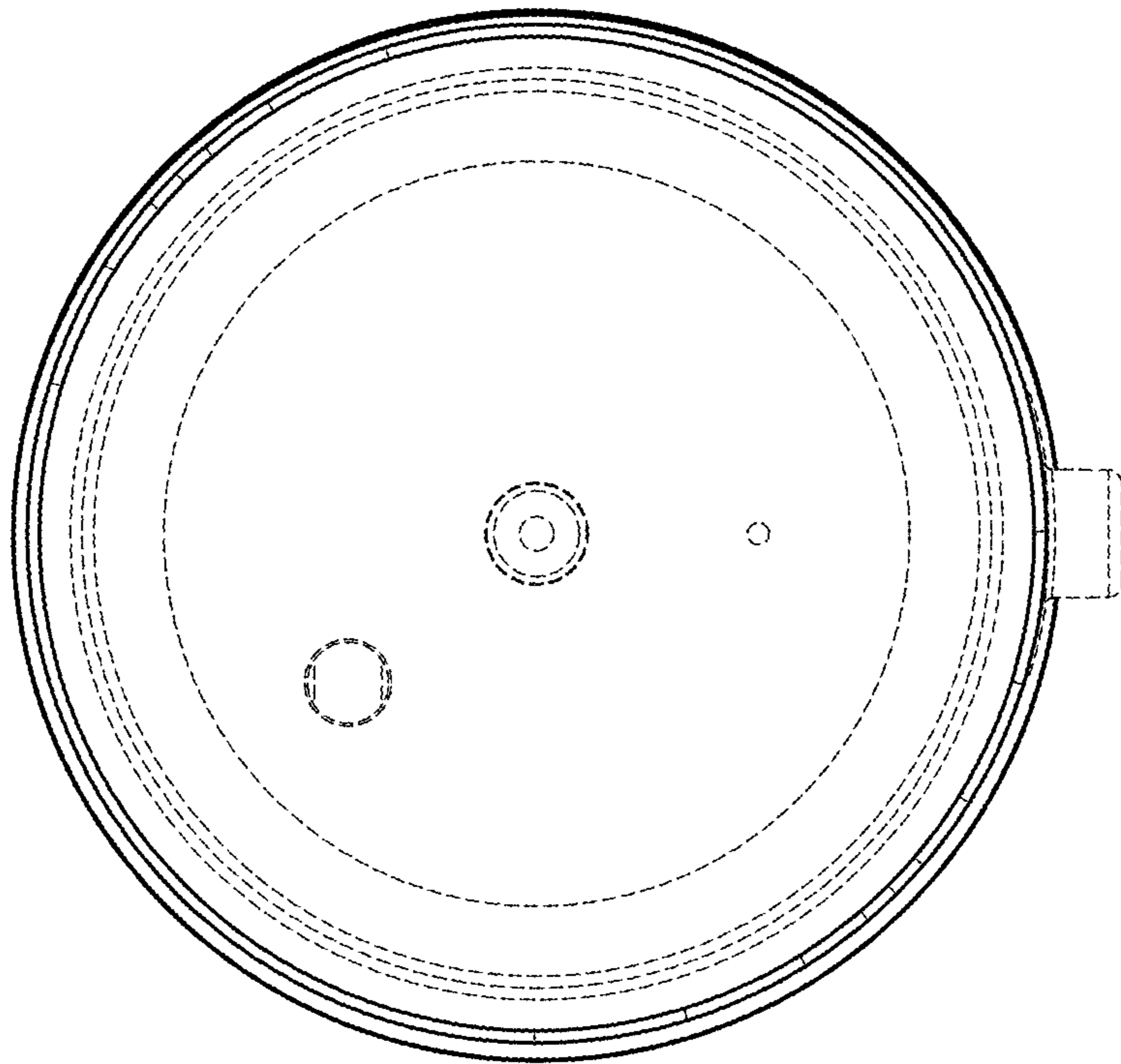


FIG. 5

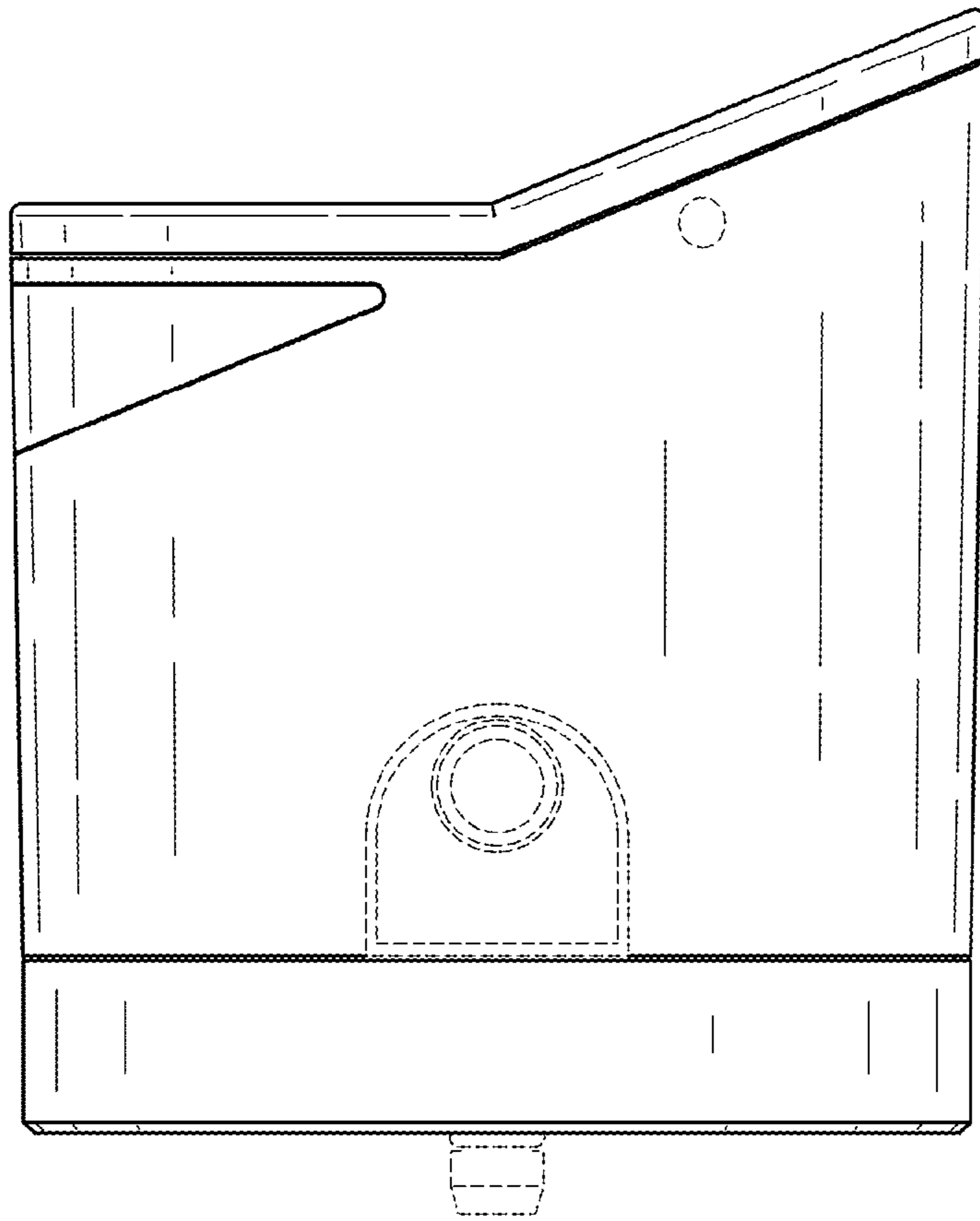


FIG. 6

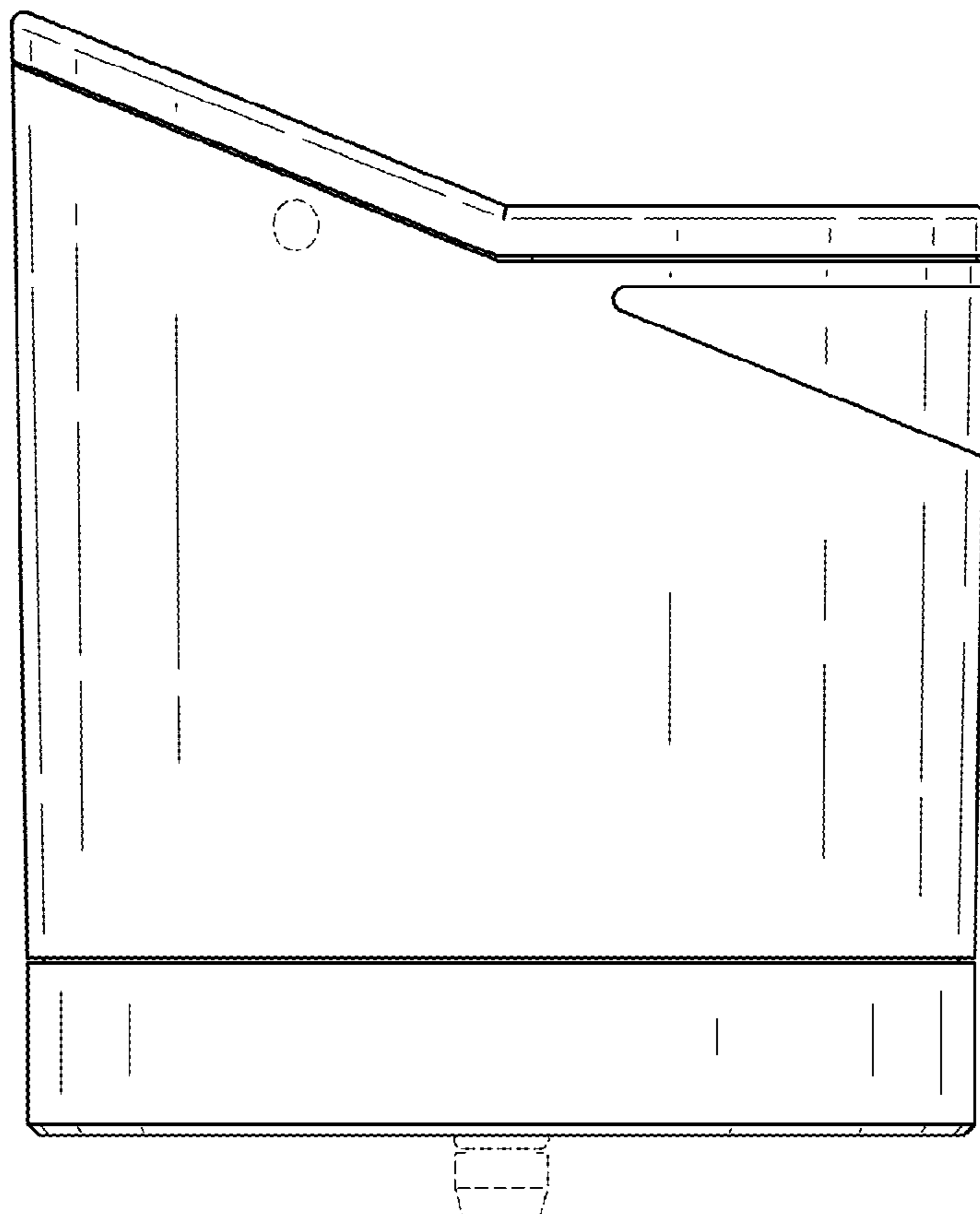


FIG. 7