



US00D883443S

(12) **United States Design Patent**
Kuang

(10) **Patent No.:** **US D883,443 S**

(45) **Date of Patent:** **** May 5, 2020**

(54) **DECK MOUNTED 3-HOLE BASIN MIXER**

(71) Applicant: **Shuang Ping Kuang**, Guangdong (CN)

(72) Inventor: **Shuang Ping Kuang**, Guangdong (CN)

(**) Term: **15 Years**

(21) Appl. No.: **29/677,746**

(22) Filed: **Jan. 23, 2019**

(51) **LOC (12) Cl.** **23-01**

(52) **U.S. Cl.**
USPC **D23/242**

(58) **Field of Classification Search**
USPC D23/238, 241–243, 249–250, 252,
D23/254–255, 257; D8/307–308, 353
CPC Y10T 137/9464; Y10T 137/6014; Y10T
137/6017

See application file for complete search history.

(56) **References Cited**

U.S. PATENT DOCUMENTS

D601,668 S * 10/2009 Williams D23/255
D681,167 S * 4/2013 Romero D23/238

D724,184 S * 3/2015 Cahill D23/255
D797,893 S * 9/2017 Fritz D23/242
D822,169 S * 7/2018 Spangler D23/238
D830,520 S * 10/2018 Spangler D23/252
D859,592 S * 9/2019 Seum D23/242

* cited by examiner

Primary Examiner — Robert A Delehanty

(74) *Attorney, Agent, or Firm* — Enshan Hong; VLP Law Group LLP

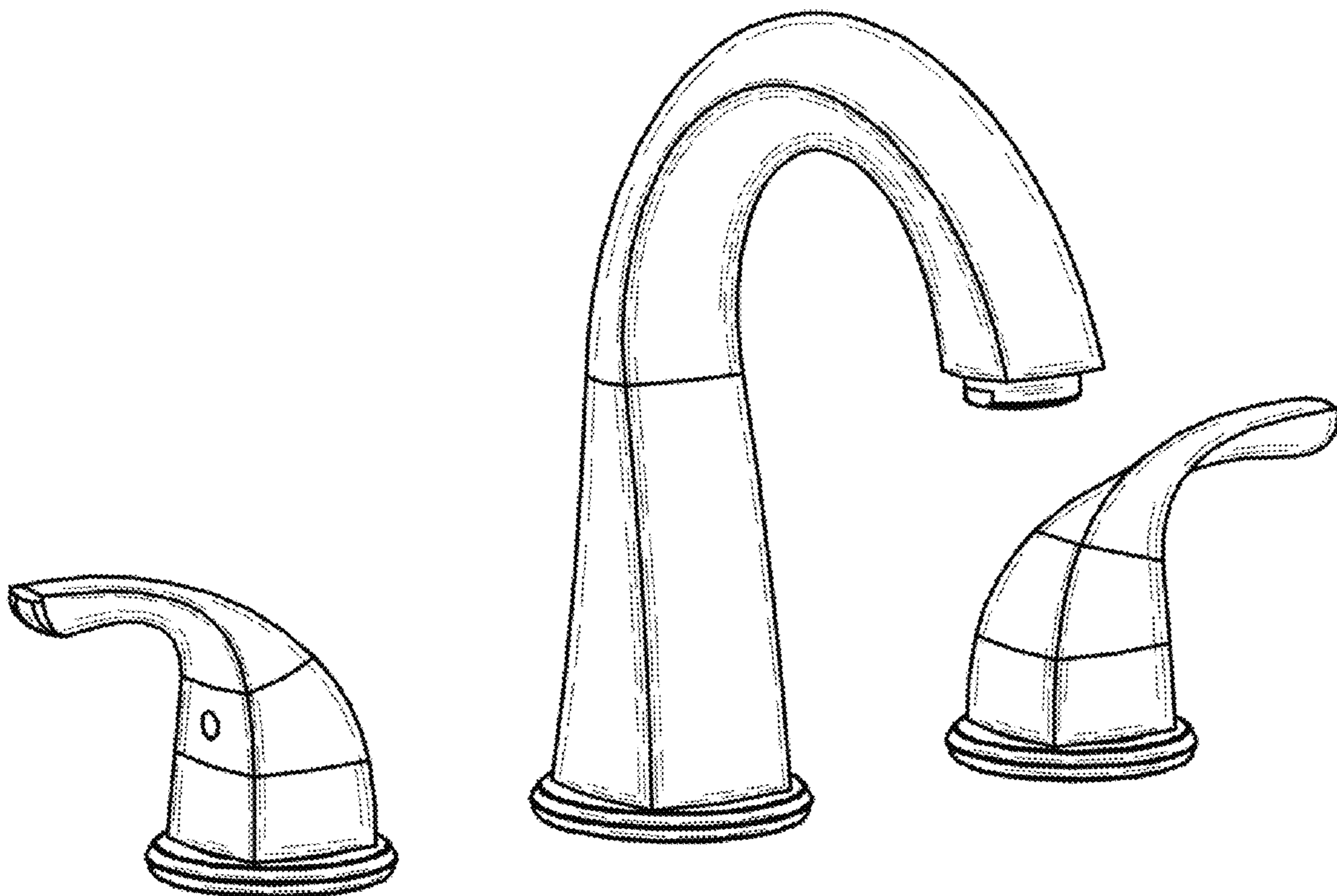
(57) **CLAIM**

The ornamental design for a deck mounted 3-hole basin mixer, as shown and described.

DESCRIPTION

FIG. 1 is a perspective view of a deck mounted 3-hole basin mixer showing my new design;
FIG. 2 is a front view thereof;
FIG. 3 is a back view thereof;
FIG. 4 is a left view thereof;
FIG. 5 is a right view thereof; and,
FIG. 6 is a top view thereof.

1 Claim, 6 Drawing Sheets



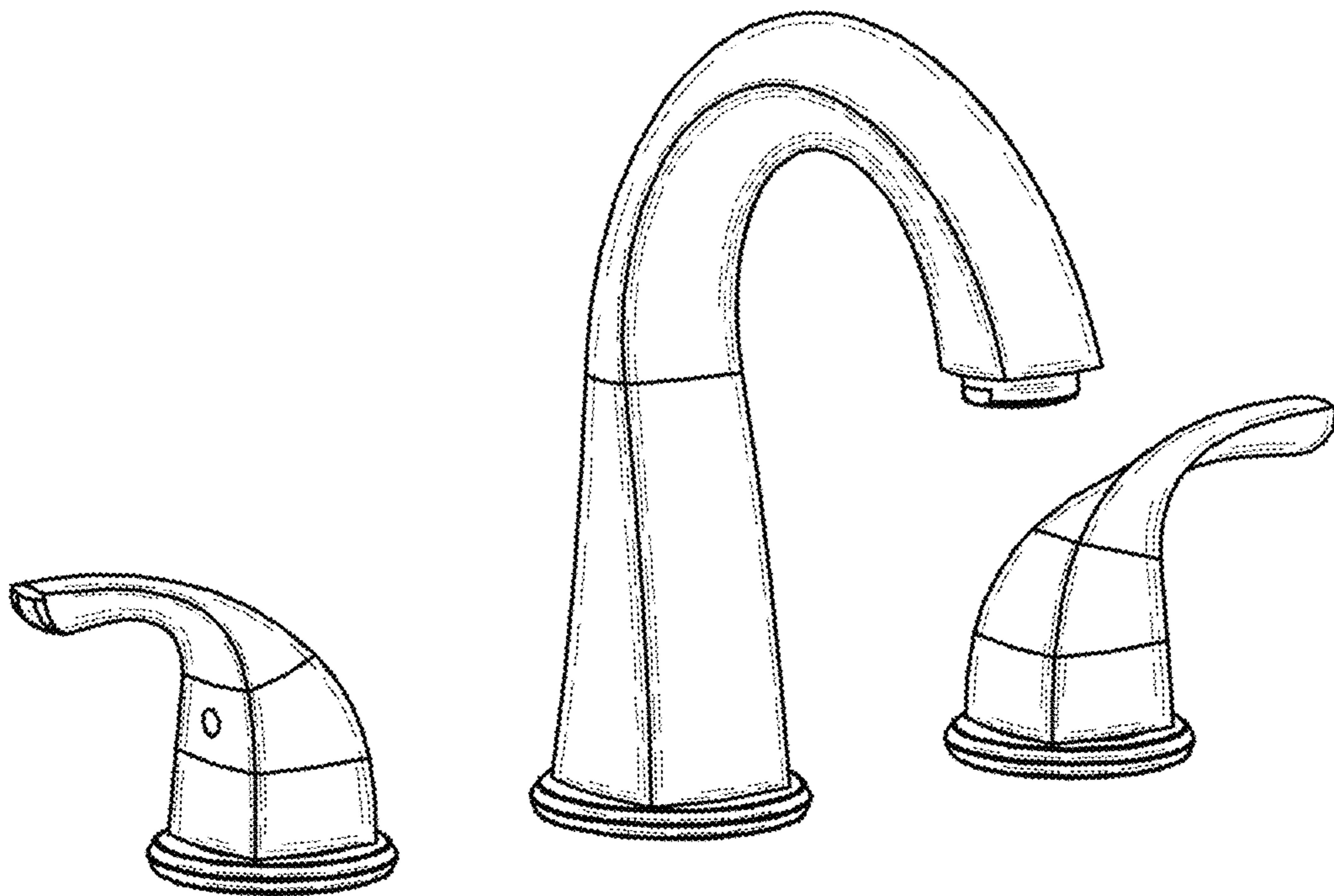


FIG. 1

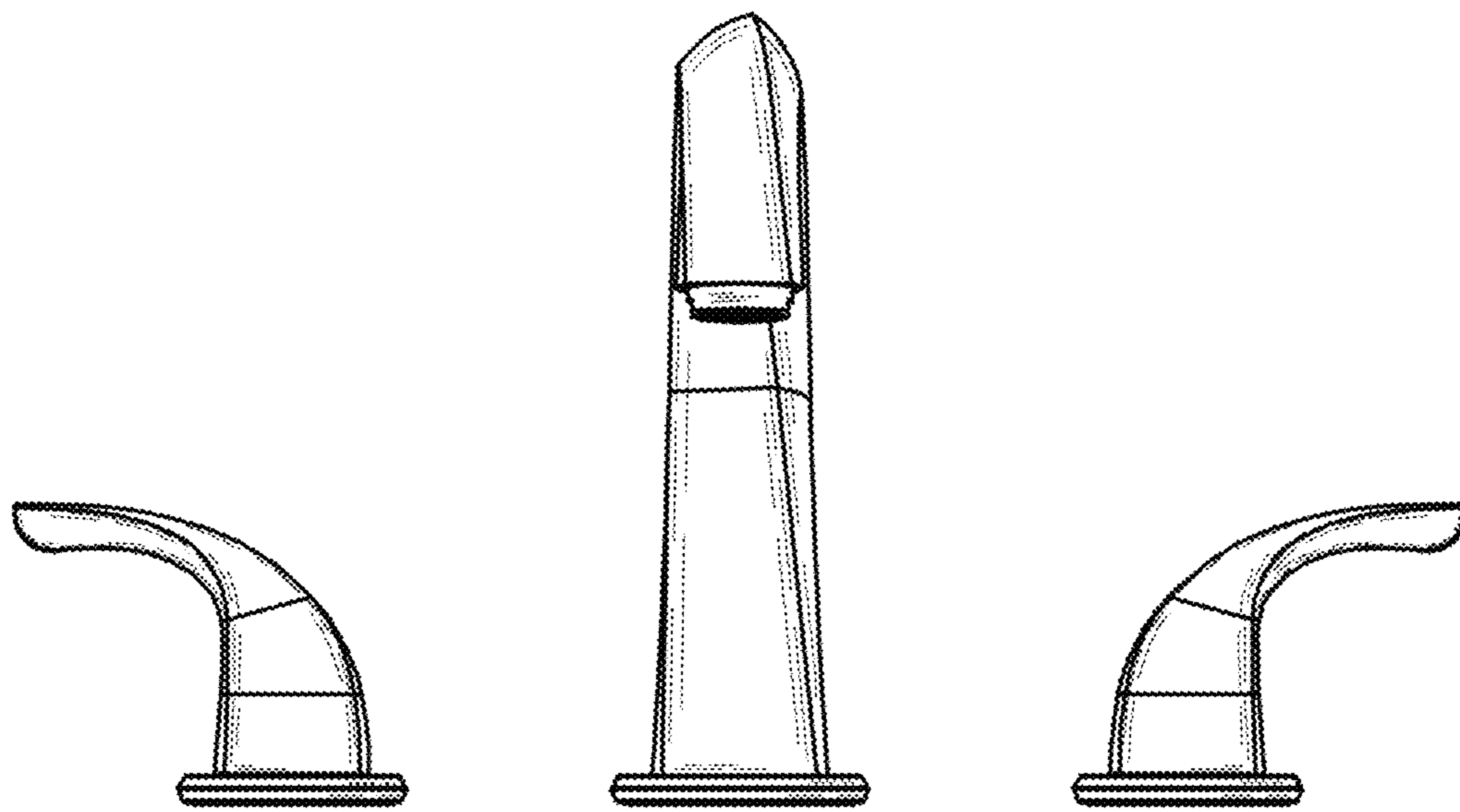


FIG. 2

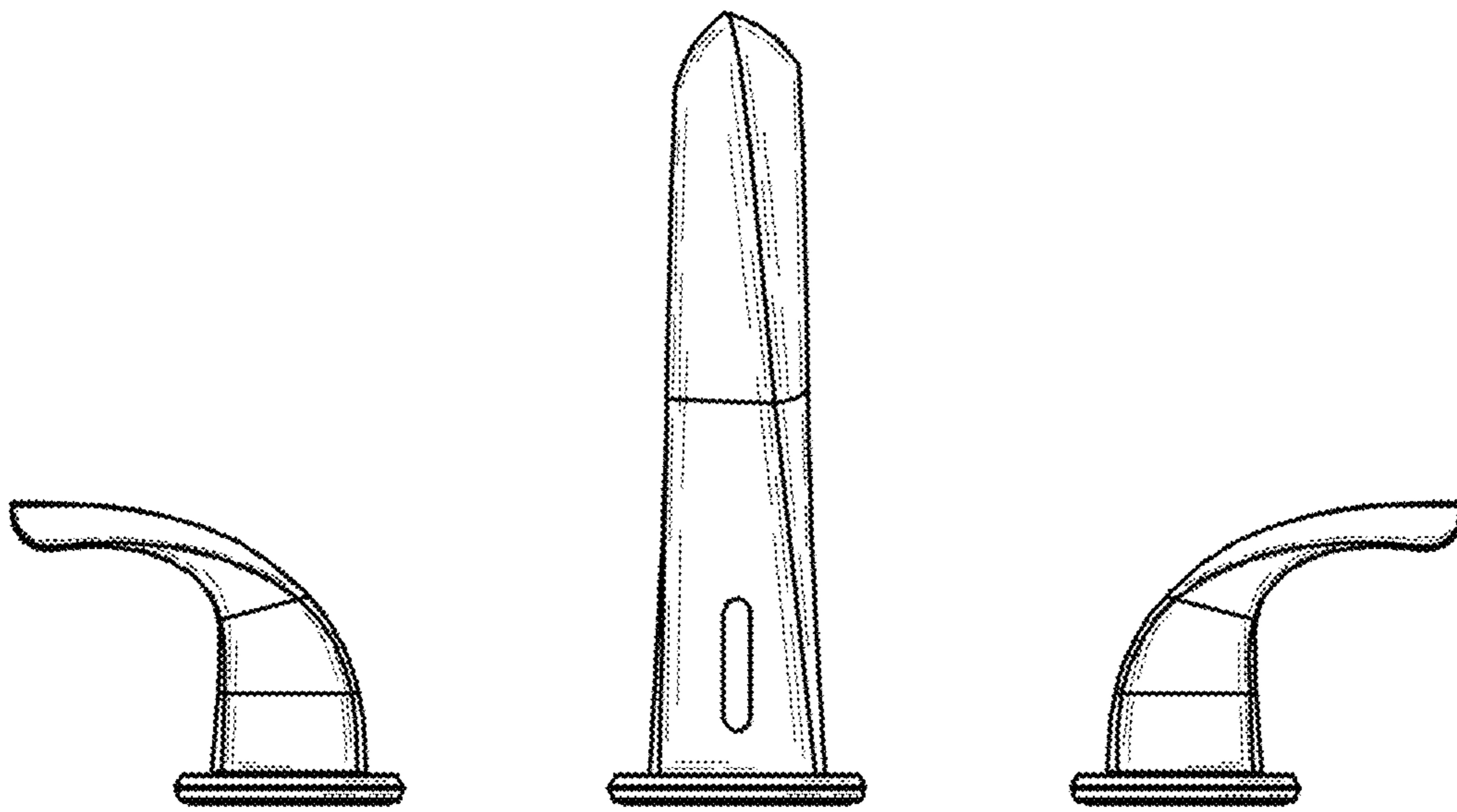


FIG. 3

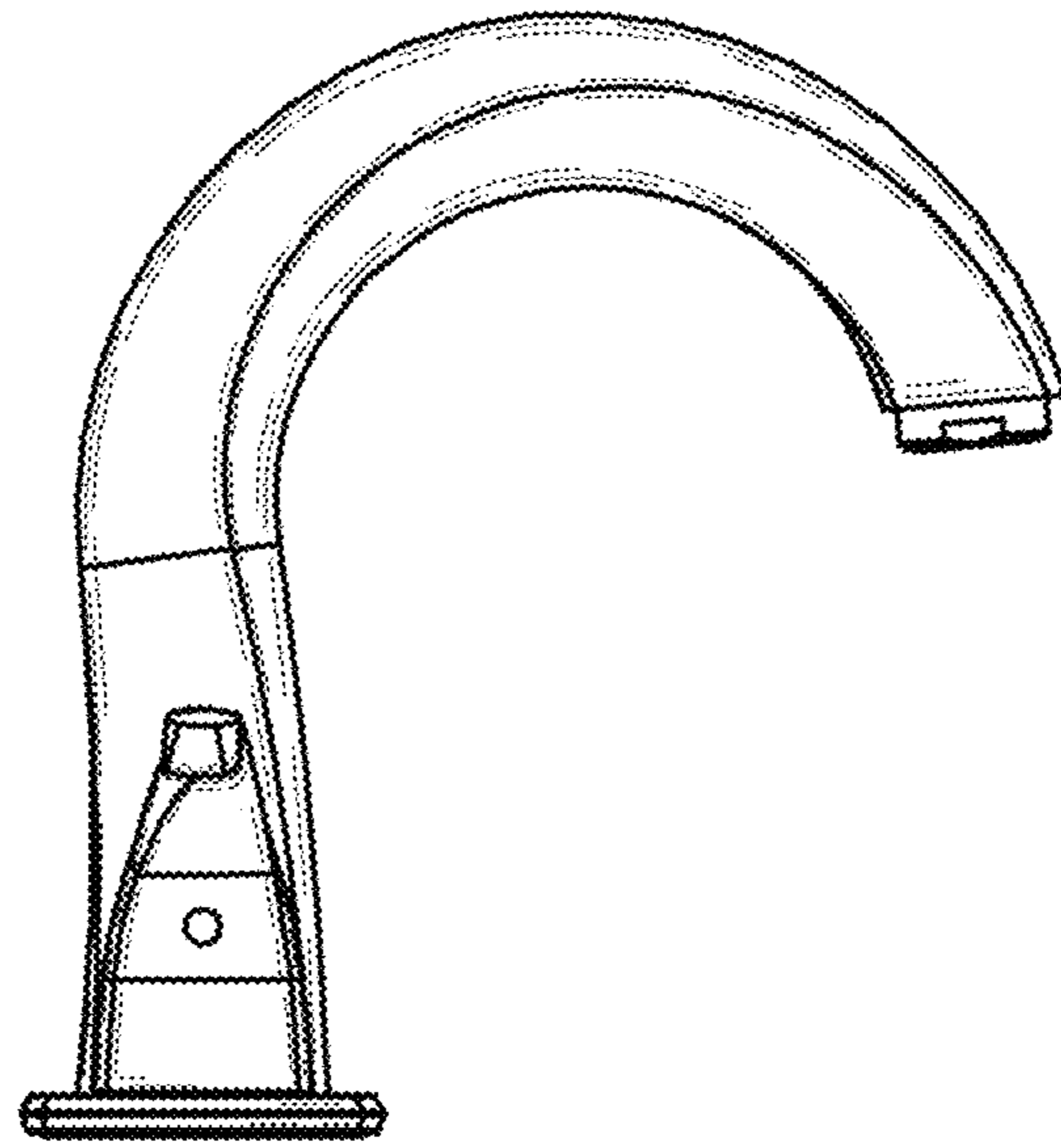


FIG. 4

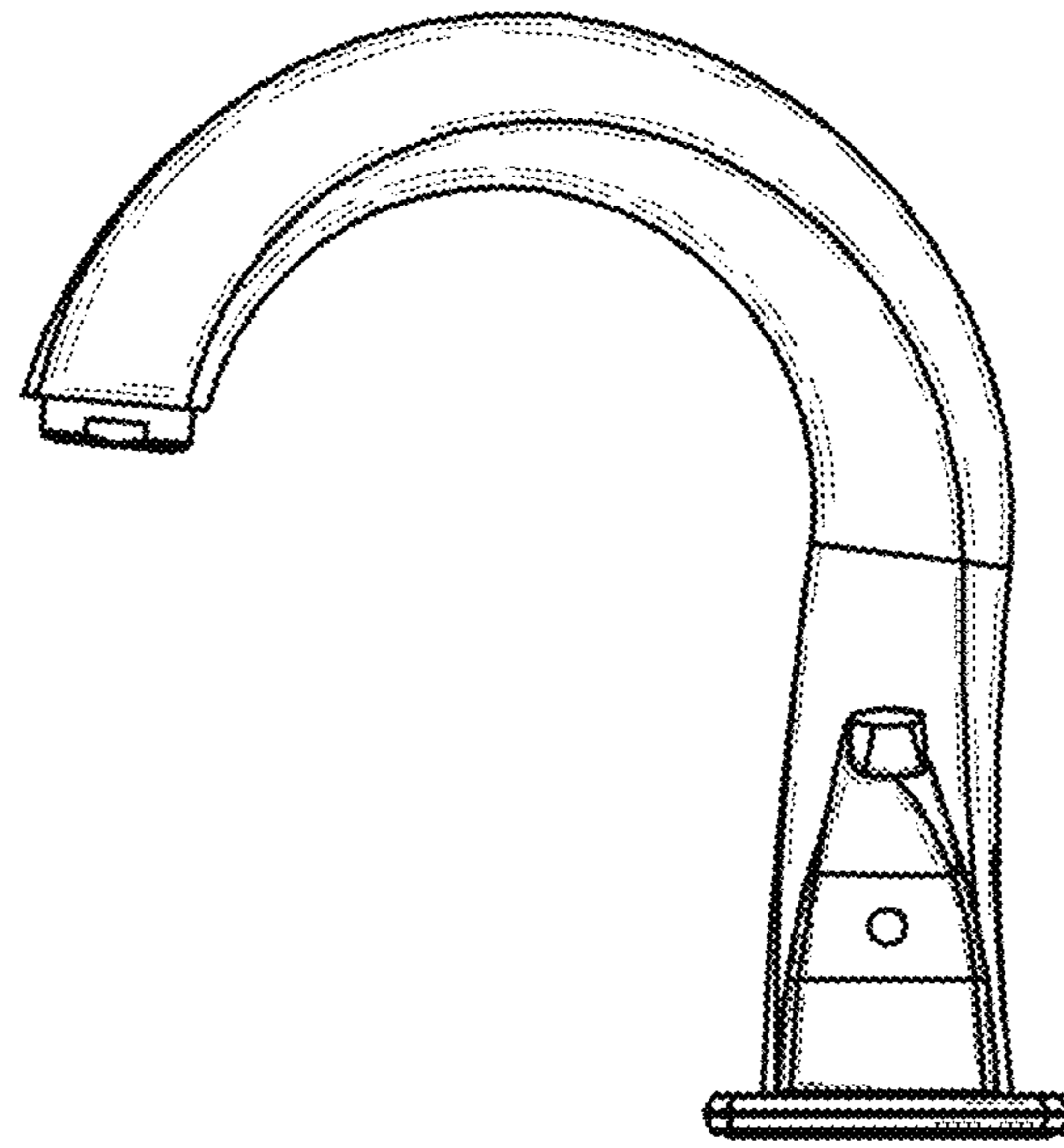


FIG. 5

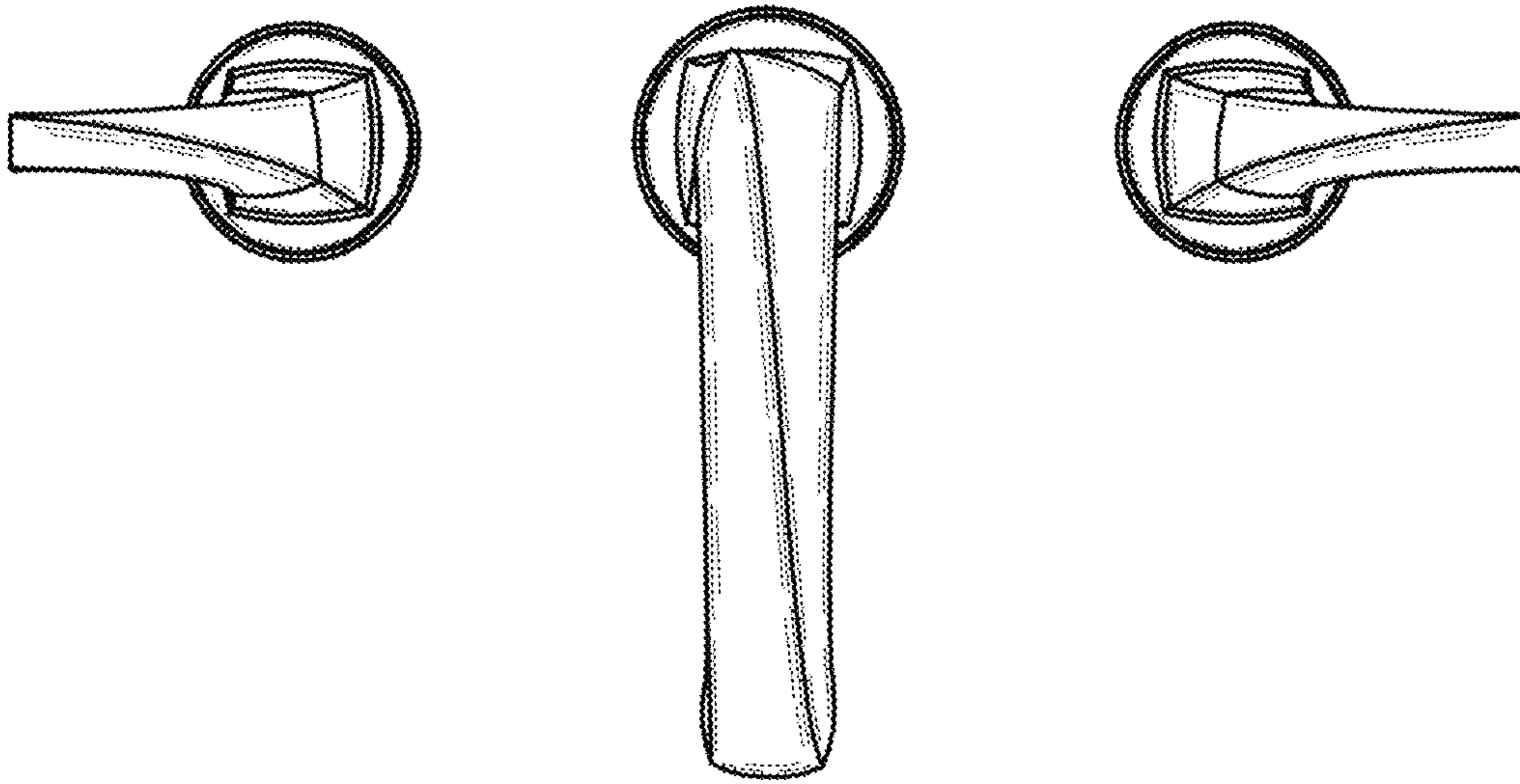


FIG. 6