



US00D883441S

(12) **United States Design Patent**
Carr

(10) **Patent No.:** **US D883,441 S**

(45) **Date of Patent:** **** May 5, 2020**

(54) **LAVATORY SET**

(71) Applicant: **Cooper & Graham, Inc.**, Southwest
Ranches, FL (US)

(72) Inventor: **Ian Simon Carr**, Singapore (SG)

(**) Term: **15 Years**

(21) Appl. No.: **29/672,407**

(22) Filed: **Dec. 5, 2018**

(51) **LOC (12) Cl.** **23-01**

(52) **U.S. Cl.**
USPC **D23/242**

(58) **Field of Classification Search**
USPC D23/238, 241–243, 249–250, 252,
D23/254–255, 257; D8/307–308
CPC Y10T 137/9464; Y10T 137/6014; Y10T
137/6017
See application file for complete search history.

(56) **References Cited**

U.S. PATENT DOCUMENTS

D320,259 S	9/1991	Delepine	
D534,619 S	1/2007	Garner	
D592,733 S	5/2009	Lammel et al.	
D603,019 S *	10/2009	Flowers	D23/238
D634,405 S	3/2011	Shieh	
D635,648 S	4/2011	Schoenherr et al.	
D639,394 S *	6/2011	Citterio	D23/238

D643,095 S	8/2011	Matsuura et al.	
D646,361 S *	10/2011	Flowers	D23/250
D674,051 S	1/2013	Uhl	
D713,016 S *	9/2014	Citterio	D23/255
D754,300 S *	4/2016	Lord	D23/255
D755,933 S *	5/2016	Lord	D23/255
D758,545 S	6/2016	Yabu et al.	
D761,387 S	7/2016	Yabu et al.	
D818,087 S *	5/2018	Seum	D23/254
D862,655 S *	10/2019	Garland	D23/242

* cited by examiner

Primary Examiner — Robert A Delehanty

(74) *Attorney, Agent, or Firm* — Malloy & Malloy, P.L.

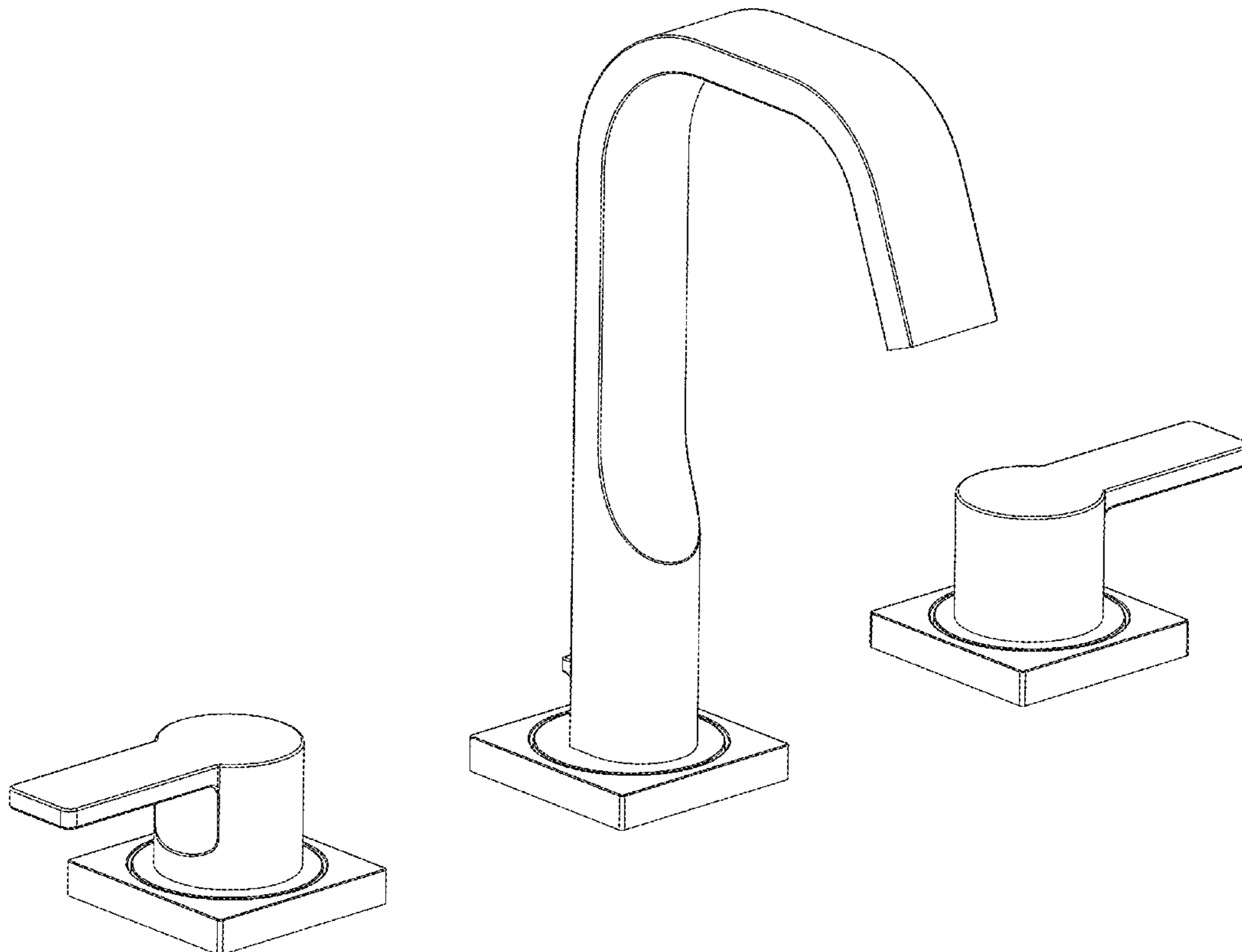
(57) **CLAIM**

The ornamental design for a lavatory set, as shown and described.

DESCRIPTION

FIG. 1 is a front perspective view illustrating my design for a lavatory set;
FIG. 2 is a rear perspective view thereof;
FIG. 3 is a front view thereof;
FIG. 4 is a right side view thereof;
FIG. 5 is a top view thereof;
FIG. 6 is a left side view thereof;
FIG. 7 is a bottom view thereof; and,
FIG. 8 is a rear view thereof.

1 Claim, 8 Drawing Sheets



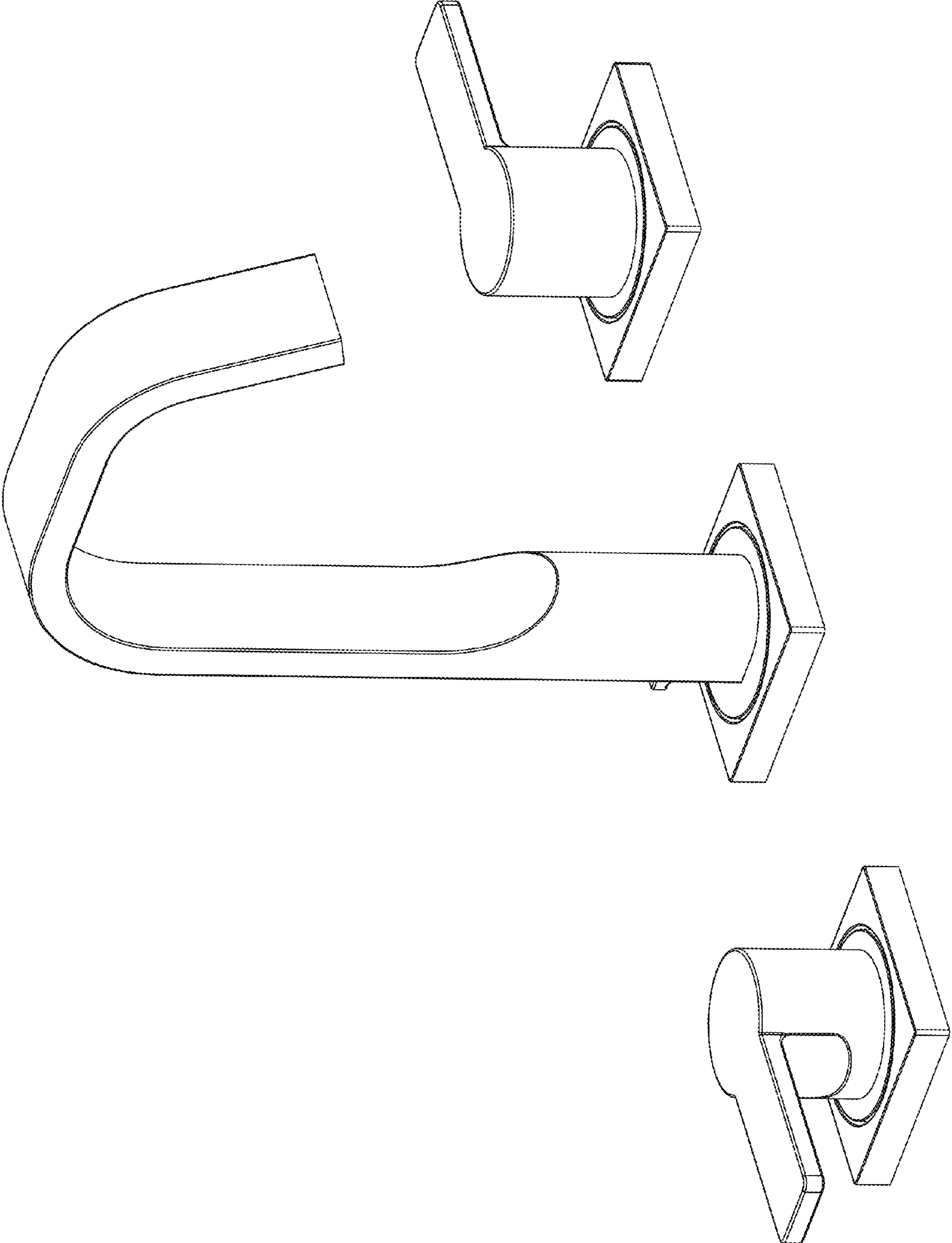


FIG. 1

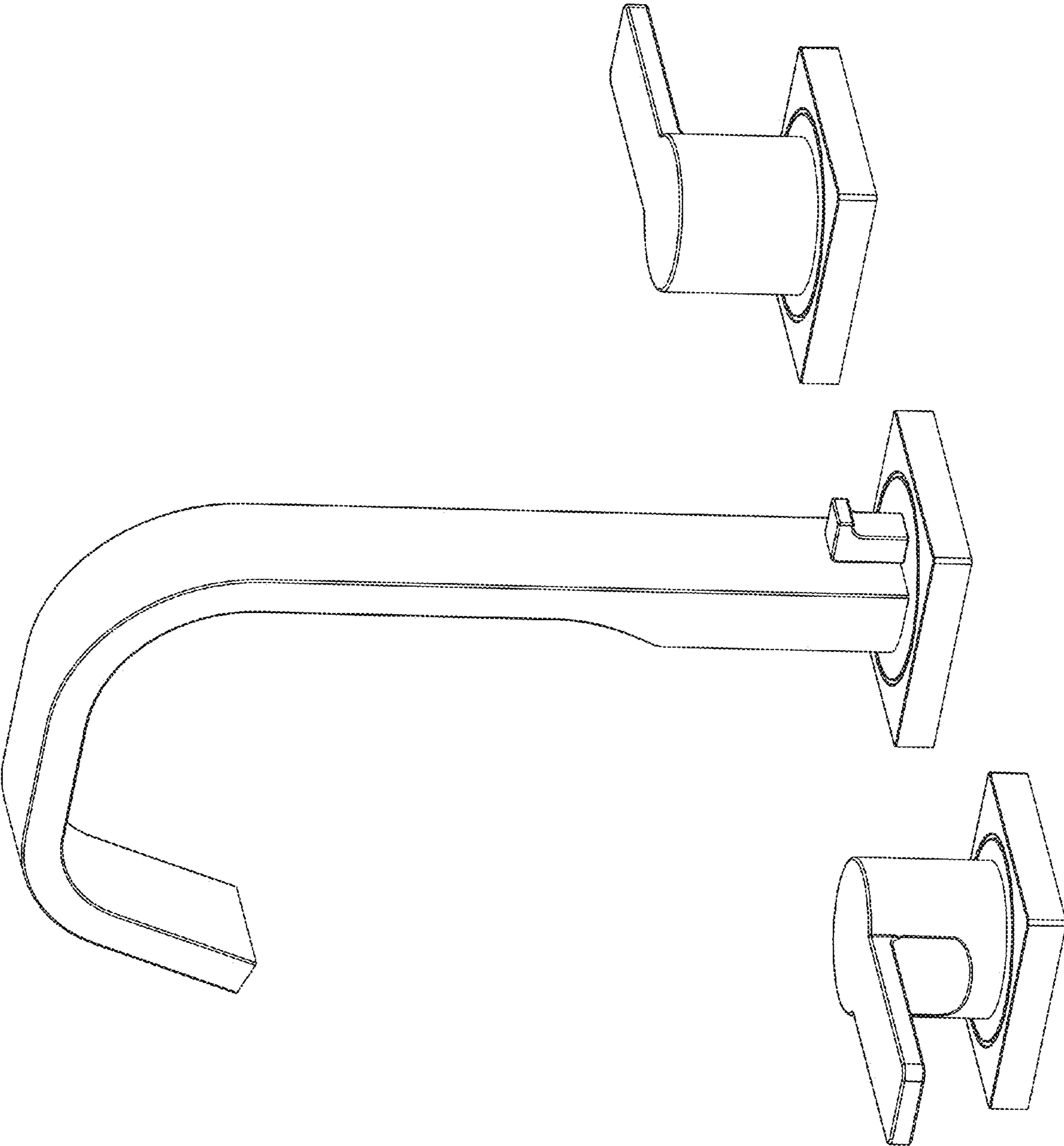


FIG. 2

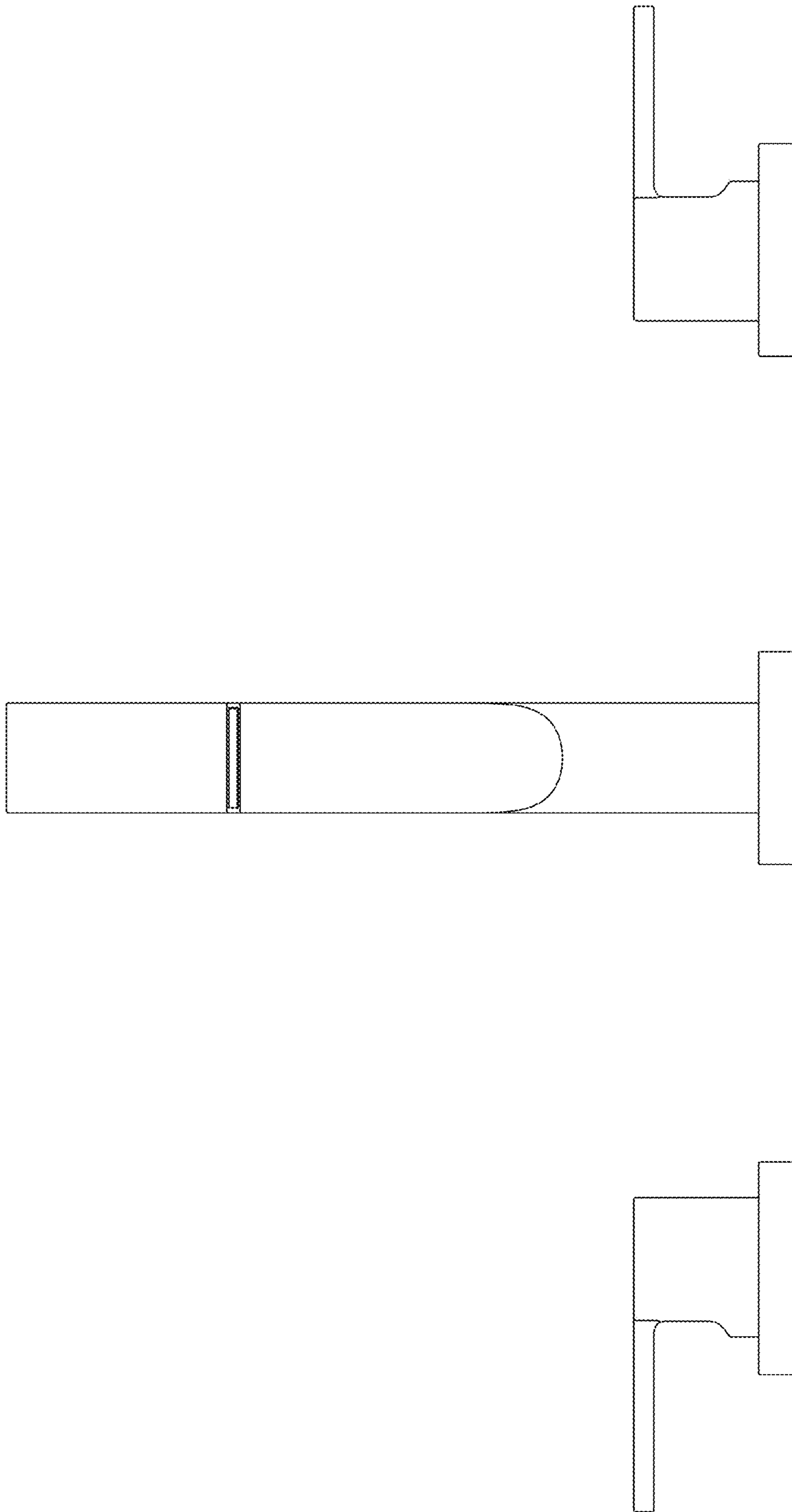


FIG. 3

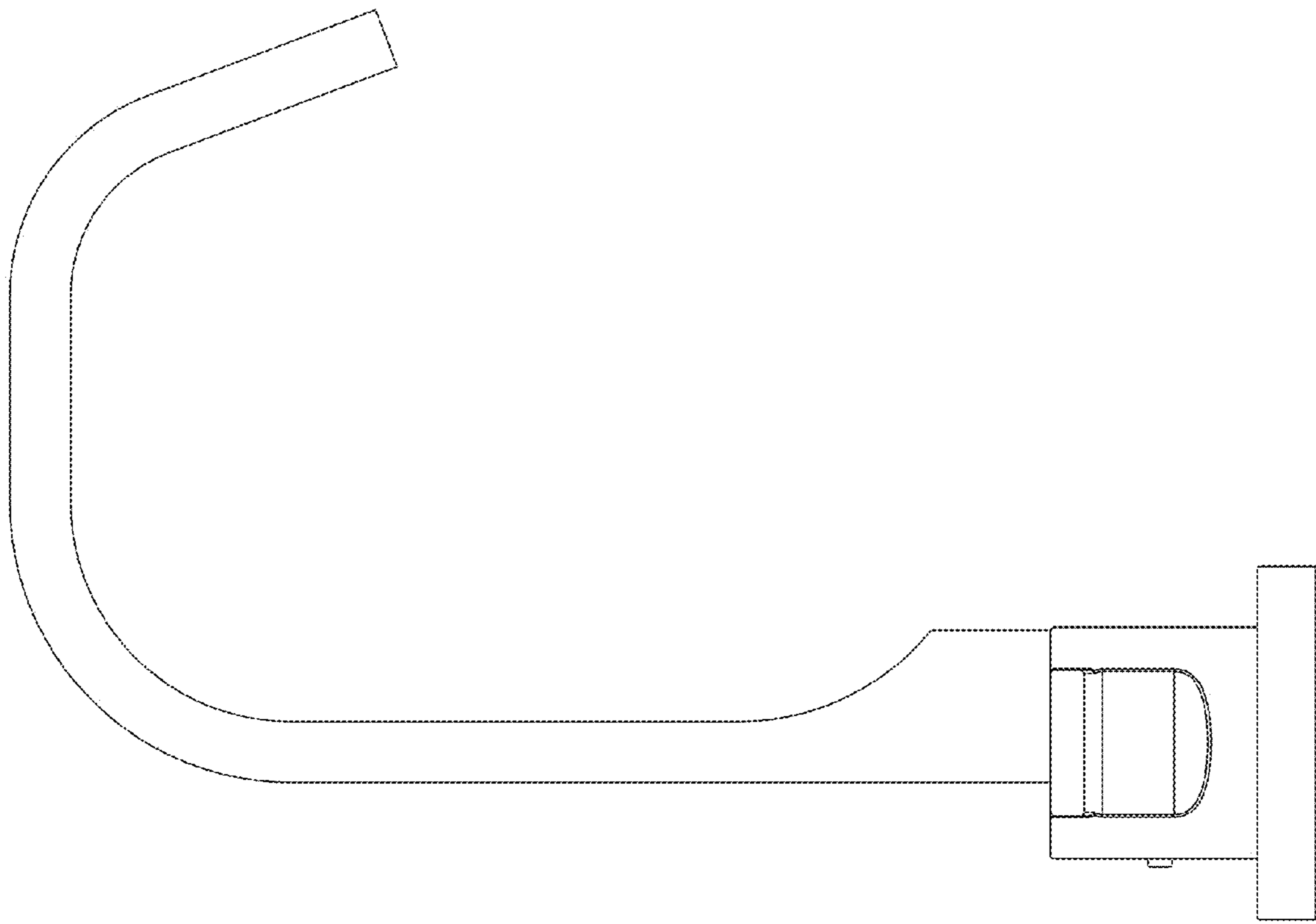


FIG. 4

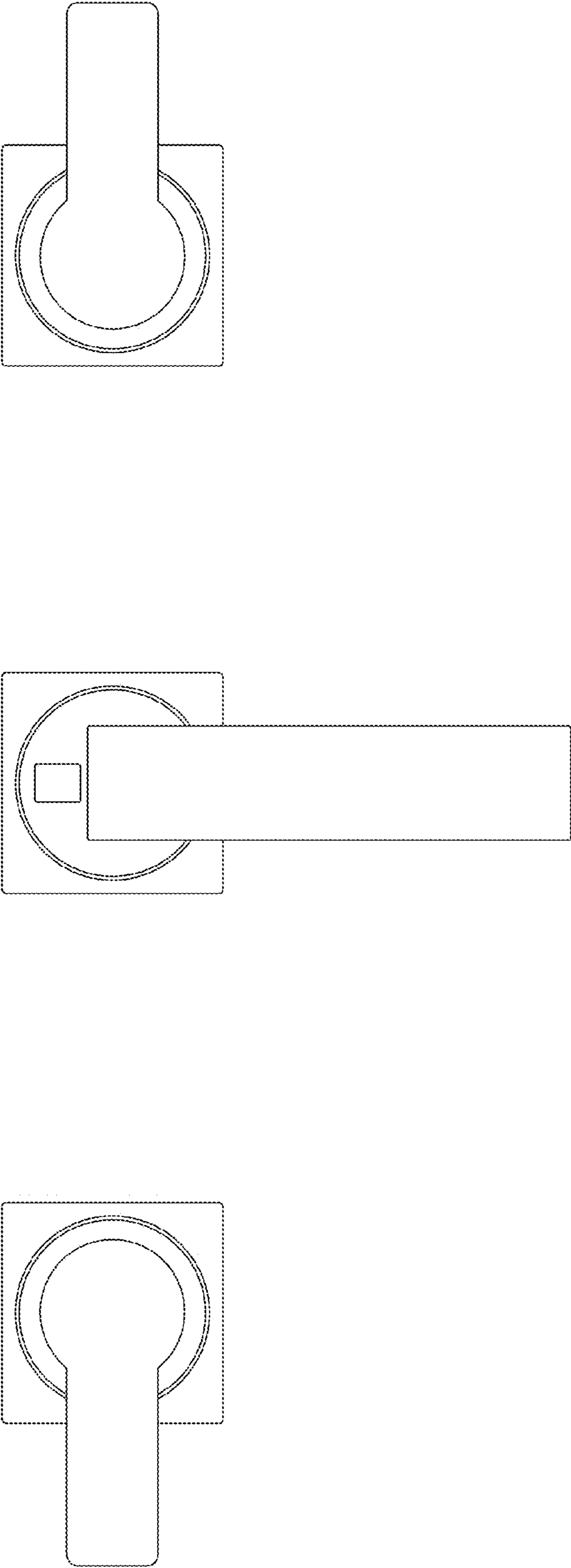


FIG. 5

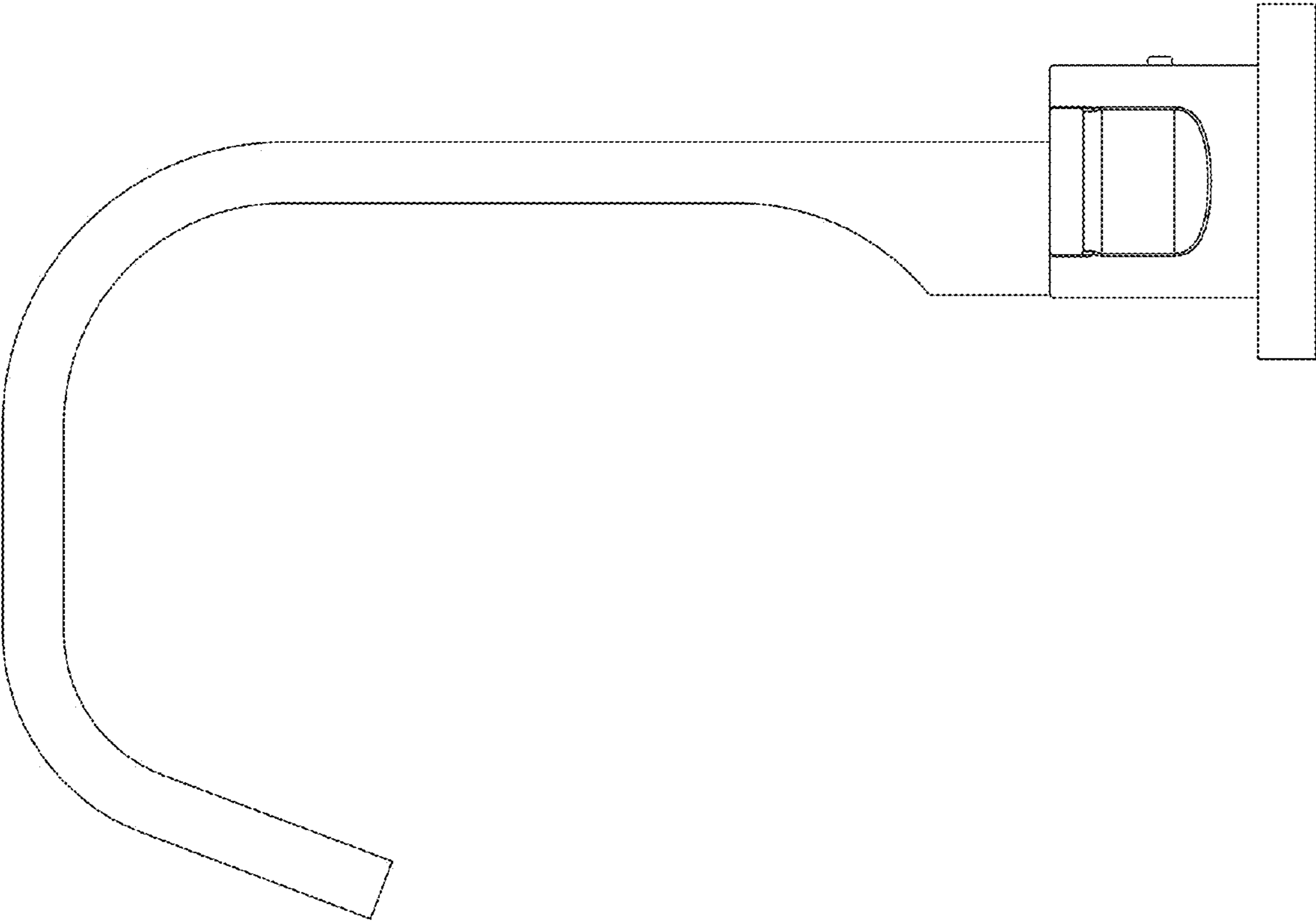


FIG. 6

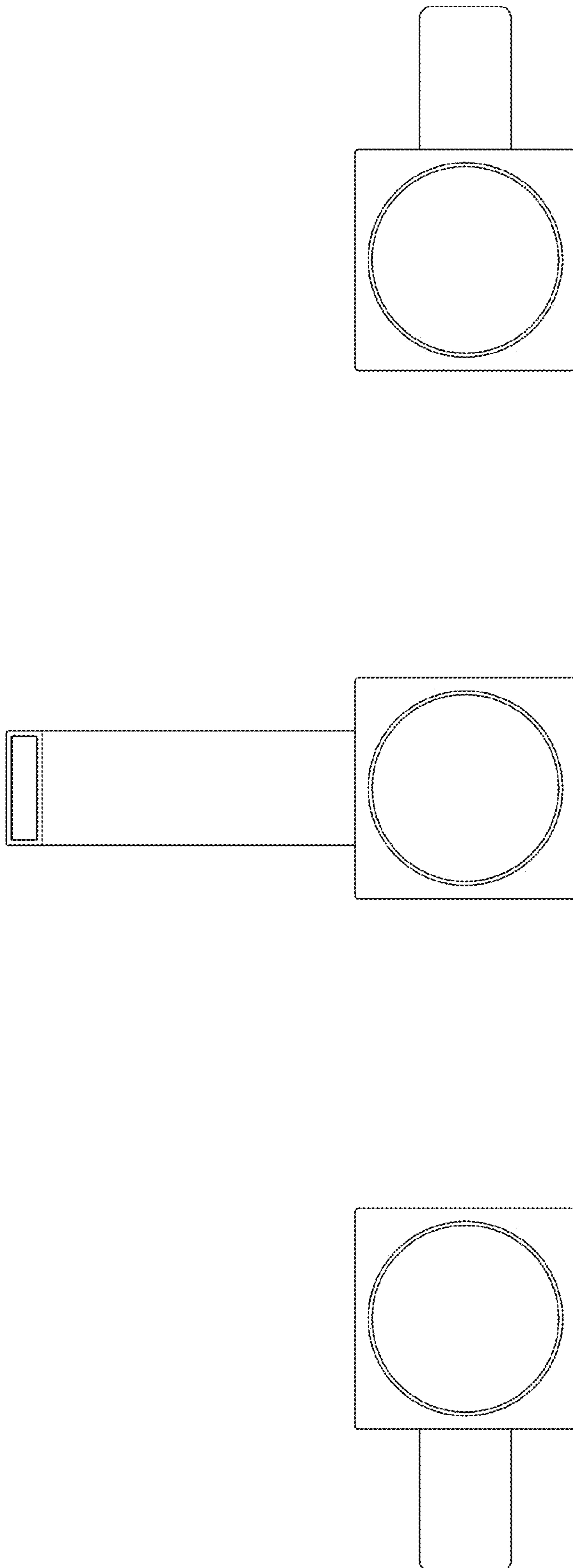


FIG. 7

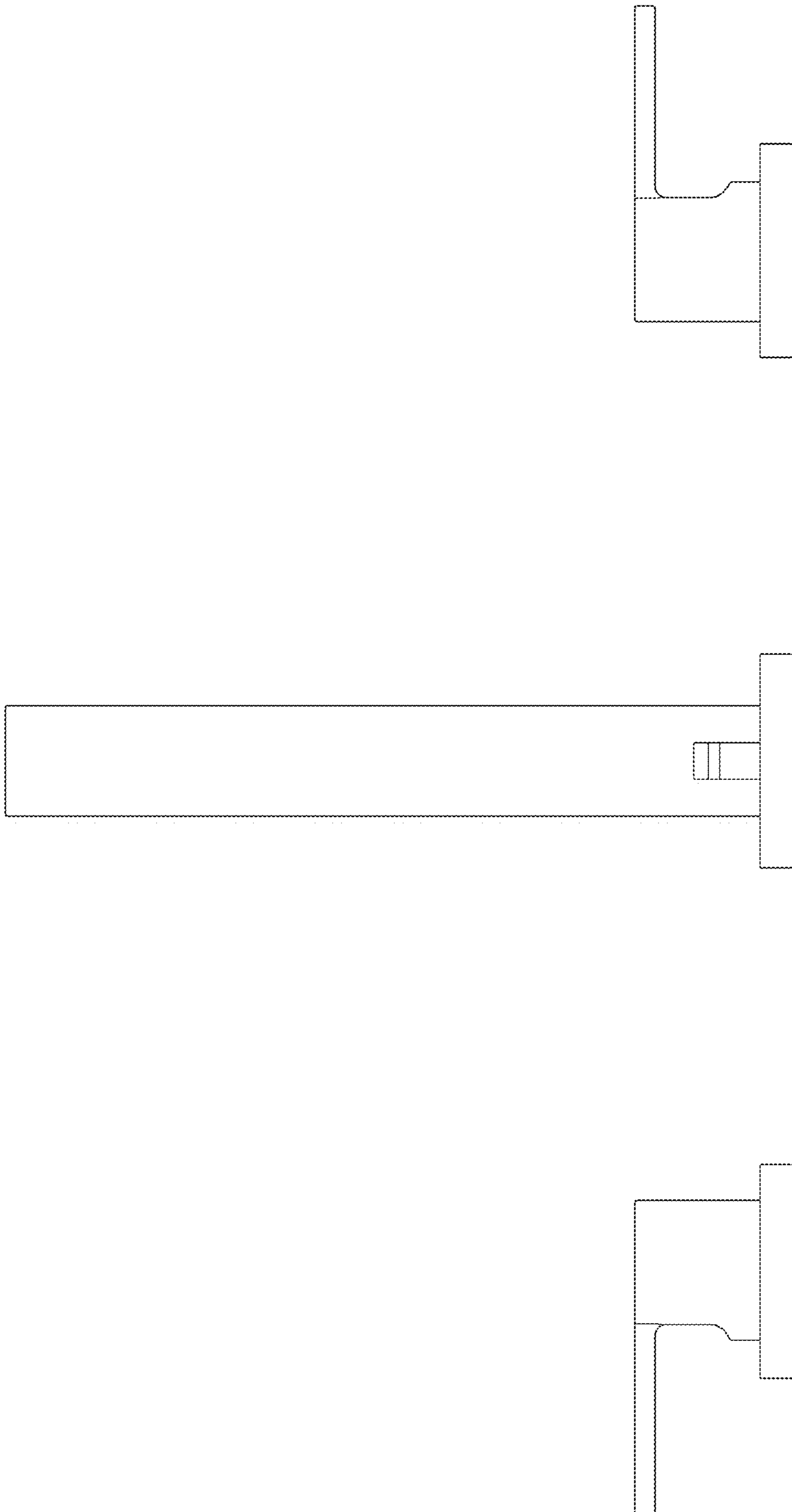


FIG. 8