



US00D883437S

(12) **United States Design Patent**
Massaud

(10) **Patent No.:** **US D883,437 S**

(45) **Date of Patent:** **** May 5, 2020**

(54) **FAUCET**

(71) Applicant: **Hansgrohe SE**, Schiltach (DE)

(72) Inventor: **Jean-Marie Massaud**, Paris (FR)

(73) Assignee: **Hansgrohe SE**, Schiltach (DE)

(**) Term: **15 Years**

(21) Appl. No.: **29/677,689**

(22) Filed: **Jan. 23, 2019**

(30) **Foreign Application Priority Data**

Jul. 26, 2018 (EM) 005515749-0001

(51) **LOC (12) Cl.** **23-01**

(52) **U.S. Cl.**
USPC **D23/238**

(58) **Field of Classification Search**
USPC D23/238, 241–243, 249–250, 252,
D23/254–255, 257, 245; D8/307–308
CPC Y10T 137/9464; Y10T 137/6014; Y10T
137/6017
See application file for complete search history.

(56) **References Cited**

U.S. PATENT DOCUMENTS

D265,229 S *	6/1982	Paul	D23/242
D503,217 S *	3/2005	Aubry	D23/238
D534,991 S *	1/2007	Sieger	D23/238
D568,967 S *	5/2008	Williams	D23/250
D625,778 S *	10/2010	Sandee	D23/238
D643,908 S *	8/2011	Sieger	D23/238

D735,297 S *	7/2015	Sieger	D23/238
D762,287 S *	7/2016	Flowers	D23/238
D767,731 S *	9/2016	Rexach	D23/252
D803,357 S *	11/2017	Lucchese	D23/238
D809,107 S *	1/2018	Schoenherr	D23/255
D861,134 S *	9/2019	Diefenbach	D23/238

FOREIGN PATENT DOCUMENTS

CN	302632463 S	11/2013
EM	001857947-0001	5/2011
EM	001857947-0002	5/2011
EM	001355127-0004	12/2012
EM	002680223-0001	4/2015

* cited by examiner

Primary Examiner — Robert A Delehanty

(74) *Attorney, Agent, or Firm* — Lora J. Graentzdoerffer

(57) **CLAIM**

The ornamental design for a faucet, as shown and described.

DESCRIPTION

FIG. 1 is a perspective view of a faucet showing my design; FIG. 2 is a front elevation view; FIG. 3 is a rear elevation view; FIG. 4 is a side elevation view; FIG. 5 is a top plan view; and, FIG. 6 is a bottom plan view.

The broken-line disclosures in the view represents portions of the faucet in which the claimed design is embodied, but which forms no part of the claimed design.

1 Claim, 6 Drawing Sheets

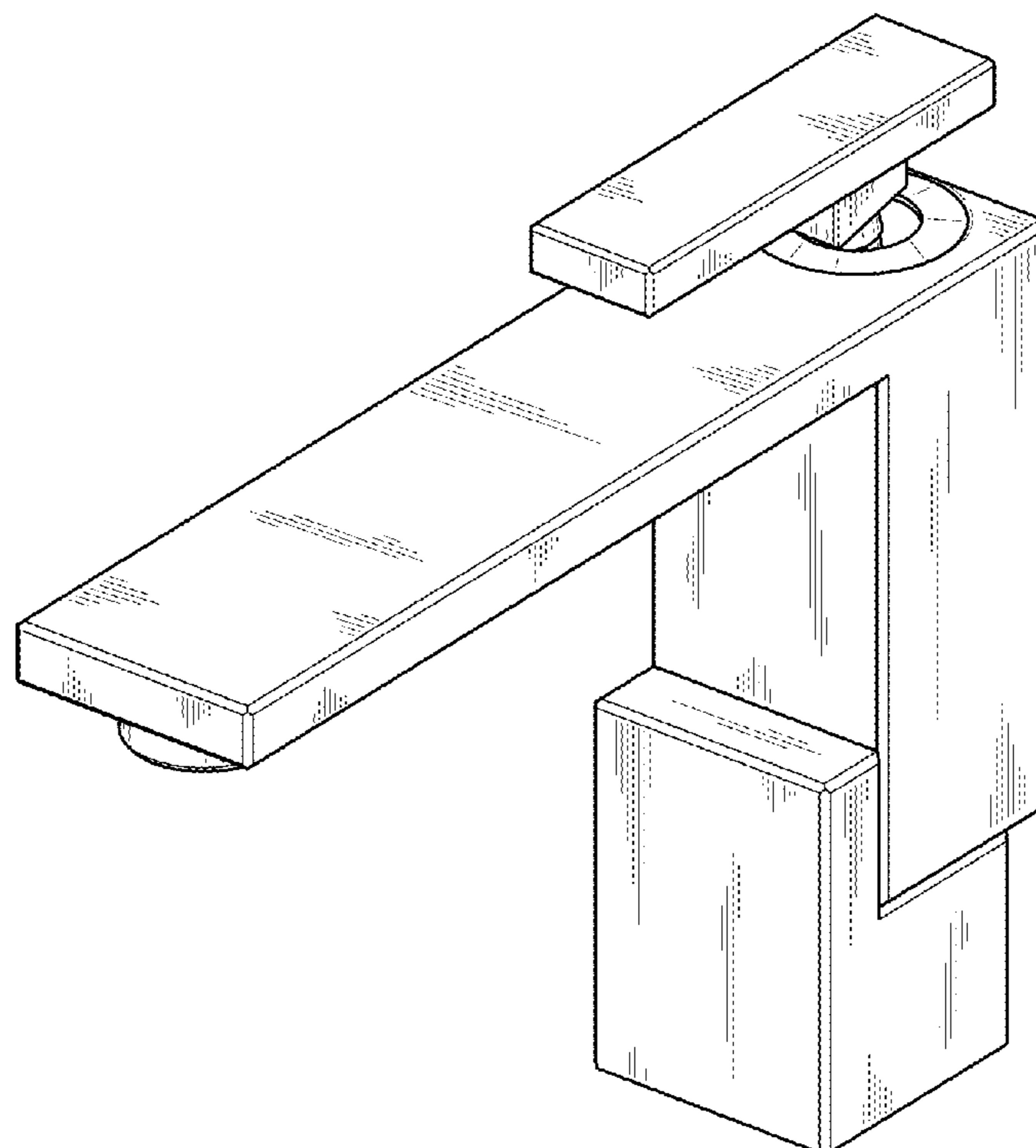


FIG. 1

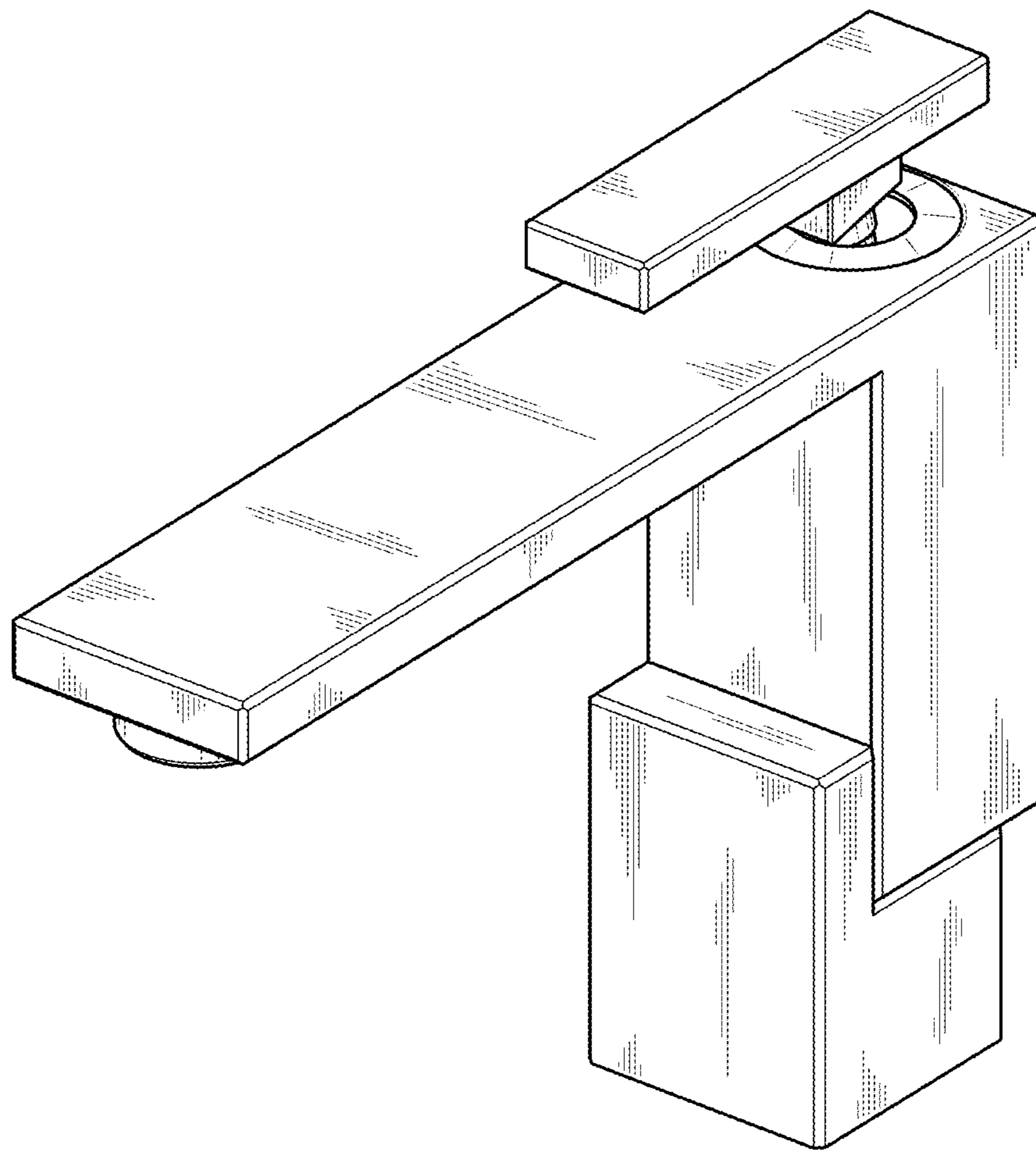


FIG. 2

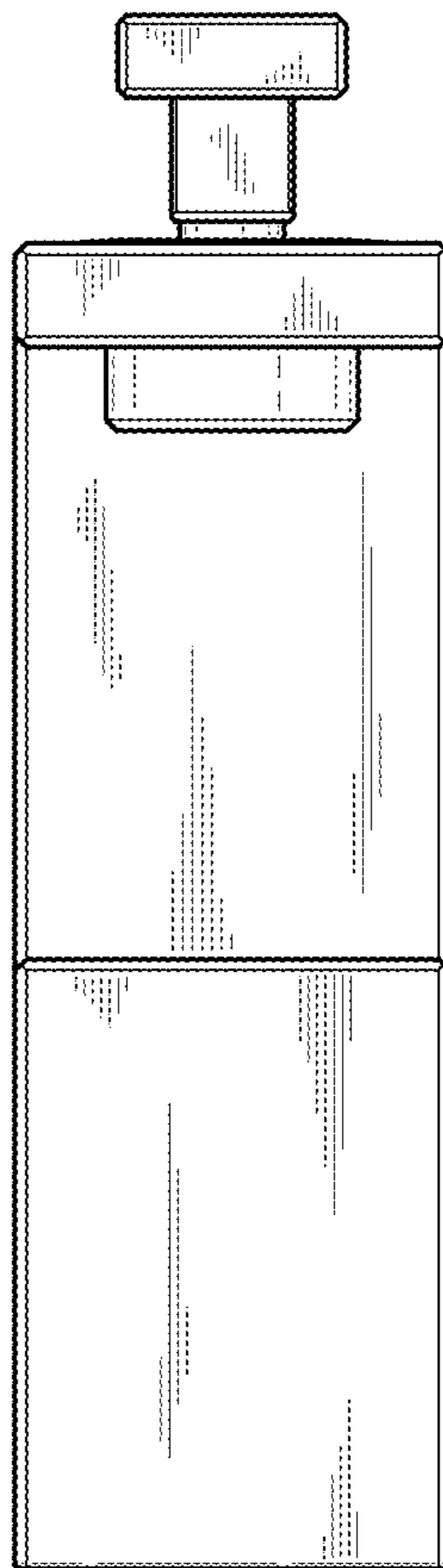


FIG. 3

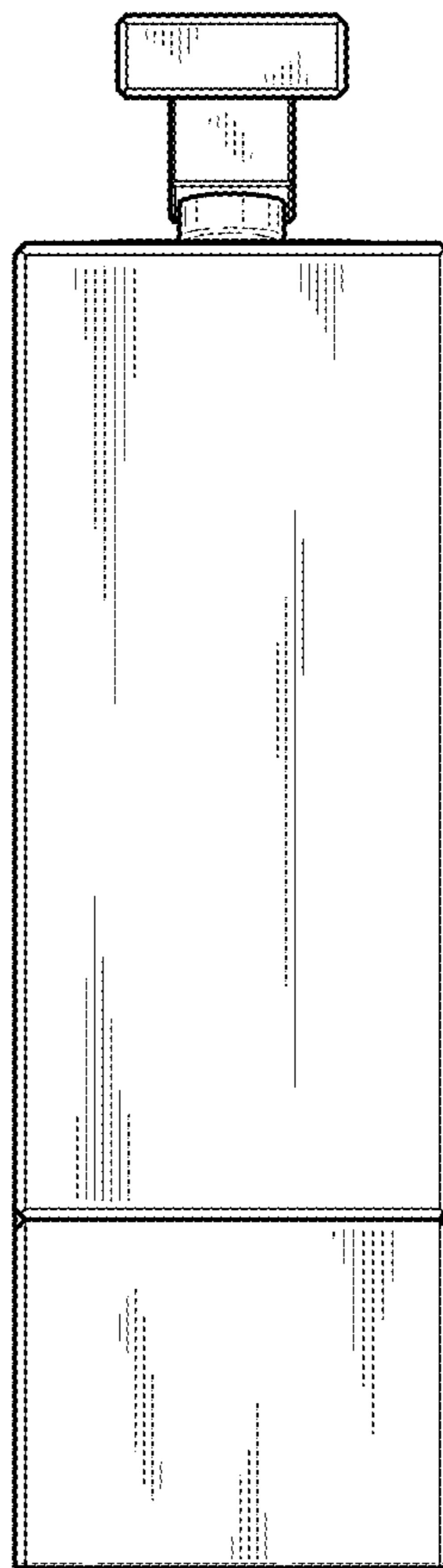


FIG. 4

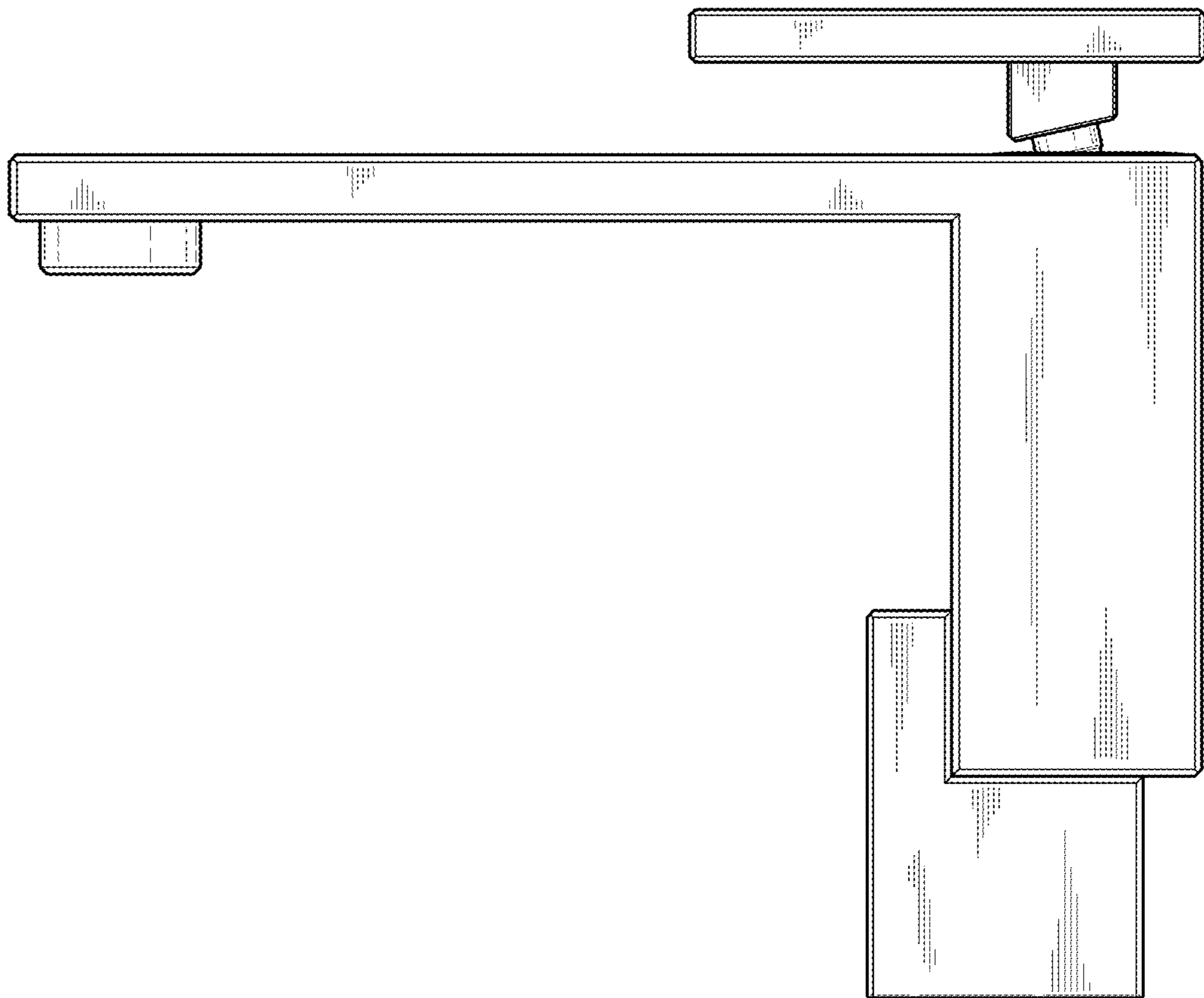


FIG. 5

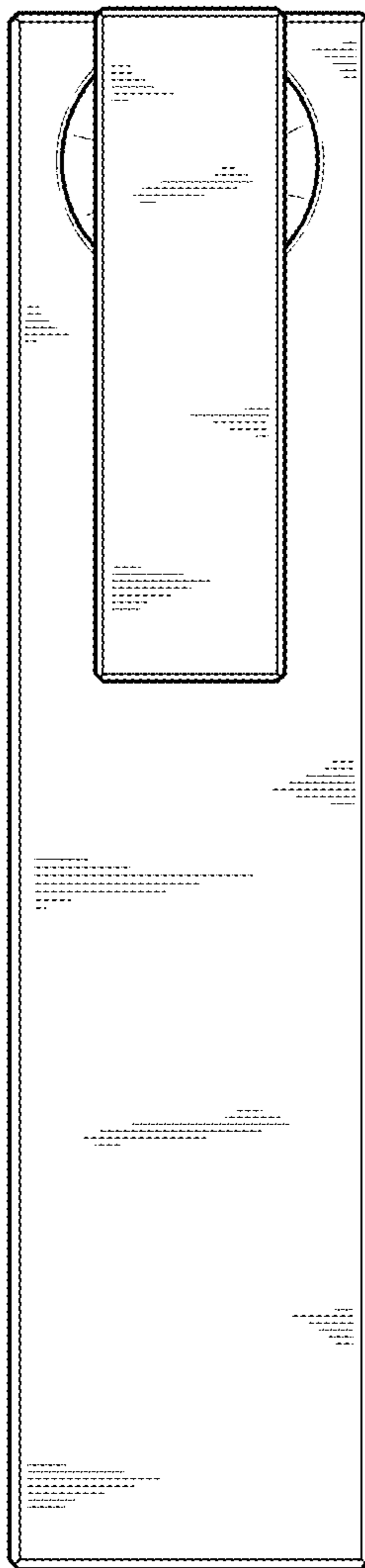


FIG. 6

