



US00D883436S

(12) **United States Design Patent**
Kuang

(10) **Patent No.:** **US D883,436 S**

(45) **Date of Patent:** **** May 5, 2020**

(54) **KITCHEN MIXER**

(71) Applicant: **Shuang Ping Kuang**, Guangdong (CN)

(72) Inventor: **Shuang Ping Kuang**, Guangdong (CN)

(**) Term: **15 Years**

(21) Appl. No.: **29/677,687**

(22) Filed: **Jan. 23, 2019**

(51) **LOC (12) Cl.** **23-01**

(52) **U.S. Cl.**
USPC **D23/238**

(58) **Field of Classification Search**
USPC D23/238, 241–243, 249–250, 252,
D23/254–255, 257; D8/307–308, 353
CPC Y10T 137/9464; Y10T 137/6014; Y10T
137/6017

See application file for complete search history.

(56) **References Cited**

U.S. PATENT DOCUMENTS

- 1,838,290 A * 12/1931 Steckel F16L 27/0861
137/599.01
- D551,324 S * 9/2007 Wilcox D23/238
- D562,947 S * 2/2008 Zhang D23/238
- D619,220 S * 7/2010 Semchuck D23/238

- D627,857 S * 11/2010 Eilmus D23/238
- 8,061,386 B2 * 11/2011 Mueller E03C 1/0404
137/801
- D721,791 S * 1/2015 Bahler D23/252
- D855,765 S * 8/2019 Song D23/238
- 2007/0251590 A1 * 11/2007 Weinstein E03C 1/0404
137/801

* cited by examiner

Primary Examiner — Robert A Delehanty

(74) *Attorney, Agent, or Firm* — Enshan Hong; VLP Law Group LLP

(57) **CLAIM**

The ornamental design for a kitchen mixer, as shown and described.

DESCRIPTION

FIG. 1 is a perspective view of a kitchen mixer showing my new design;

FIG. 2 is a front view thereof;

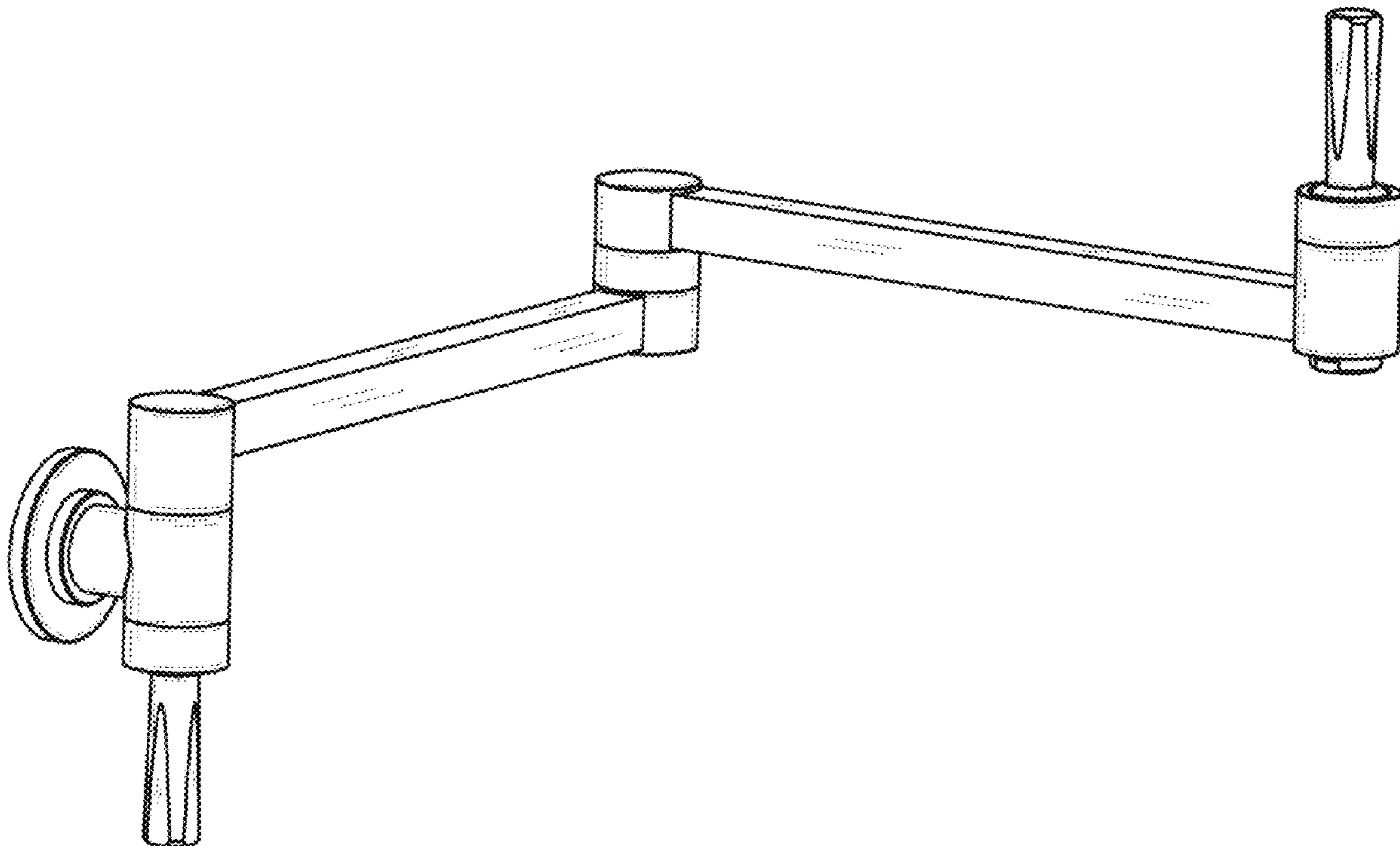
FIG. 3 is a left view thereof;

FIG. 4 is a right view thereof;

FIG. 5 is a top view thereof; and,

FIG. 6 is a bottom view thereof.

1 Claim, 6 Drawing Sheets



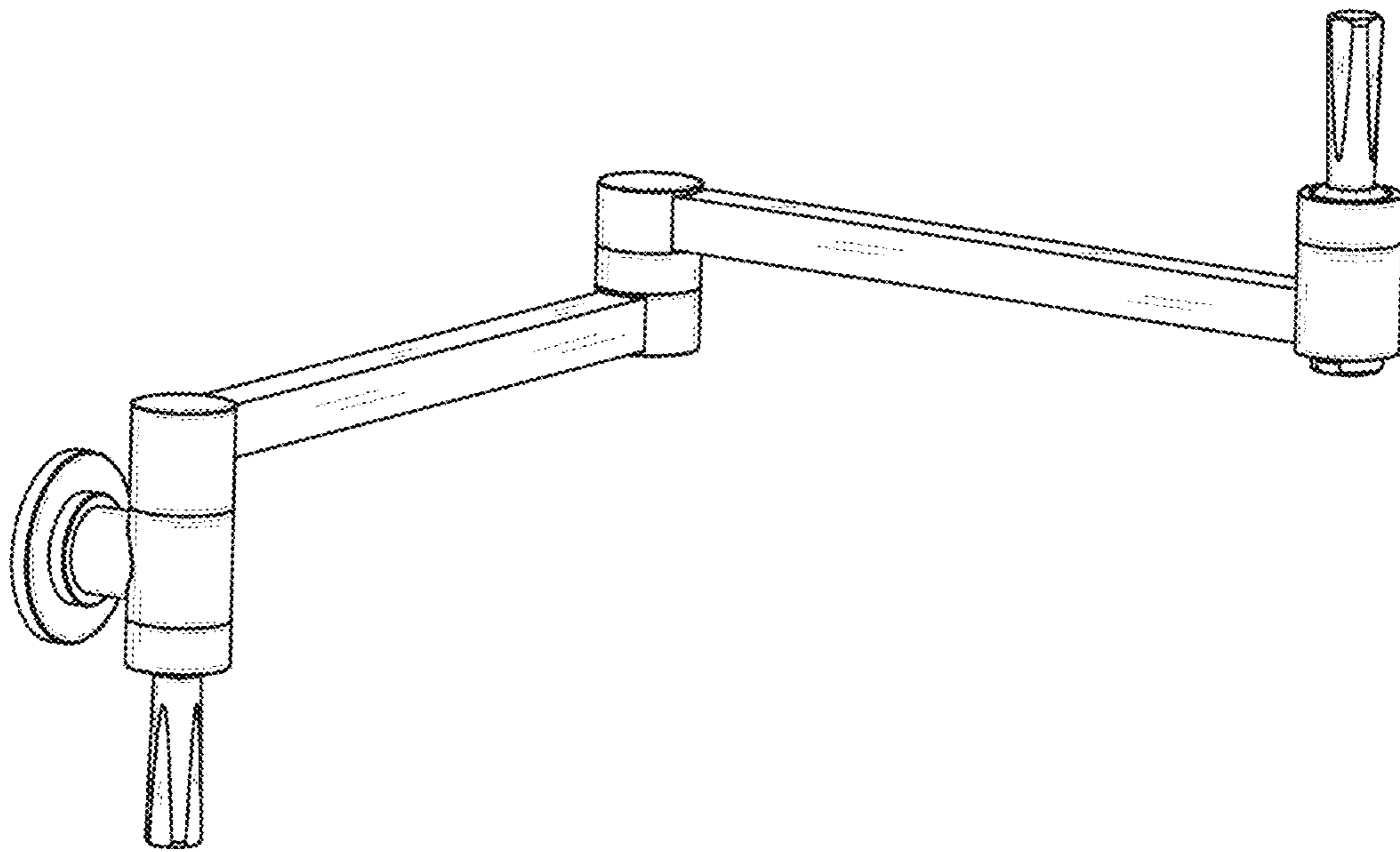


FIG. 1

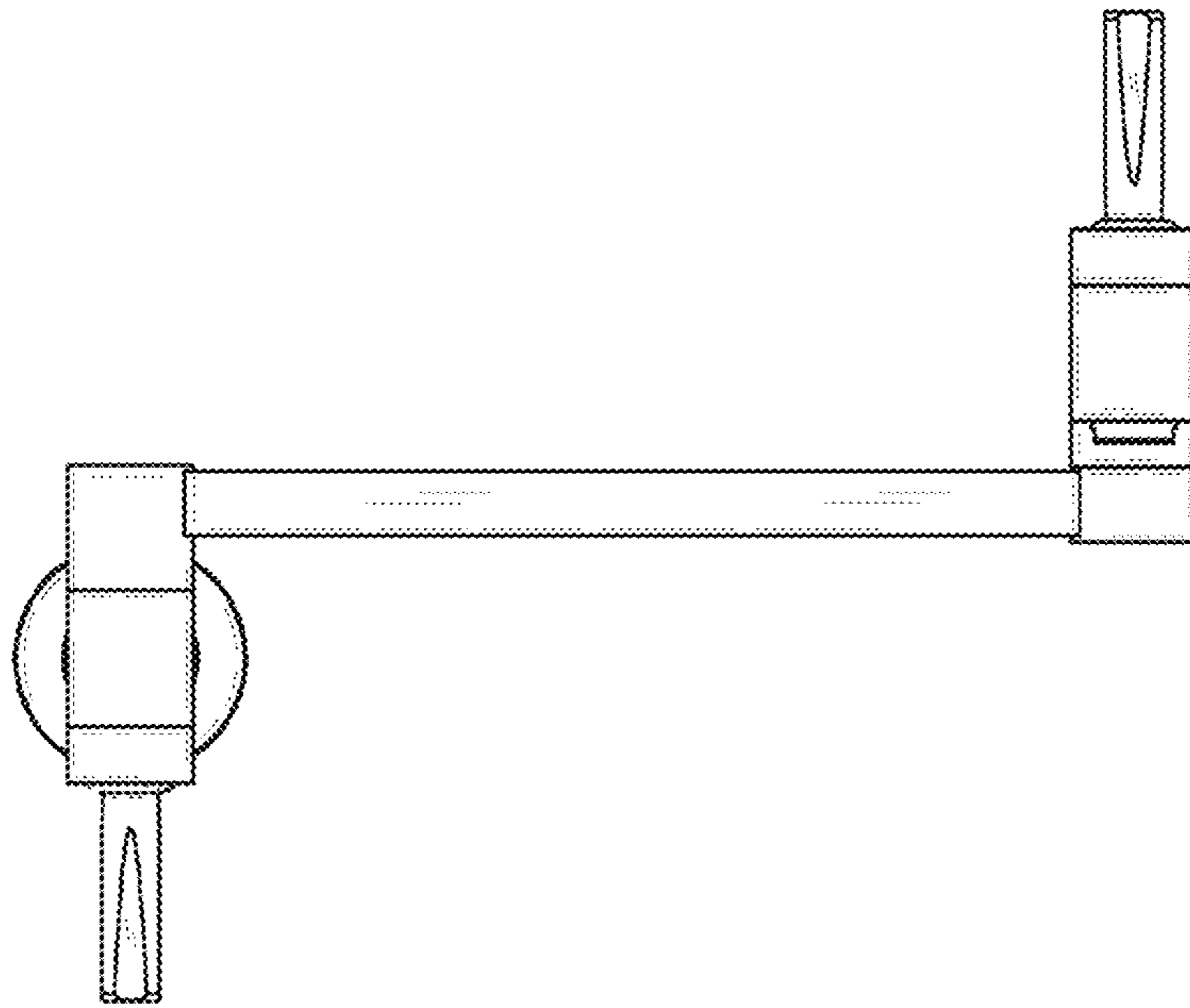


FIG. 2

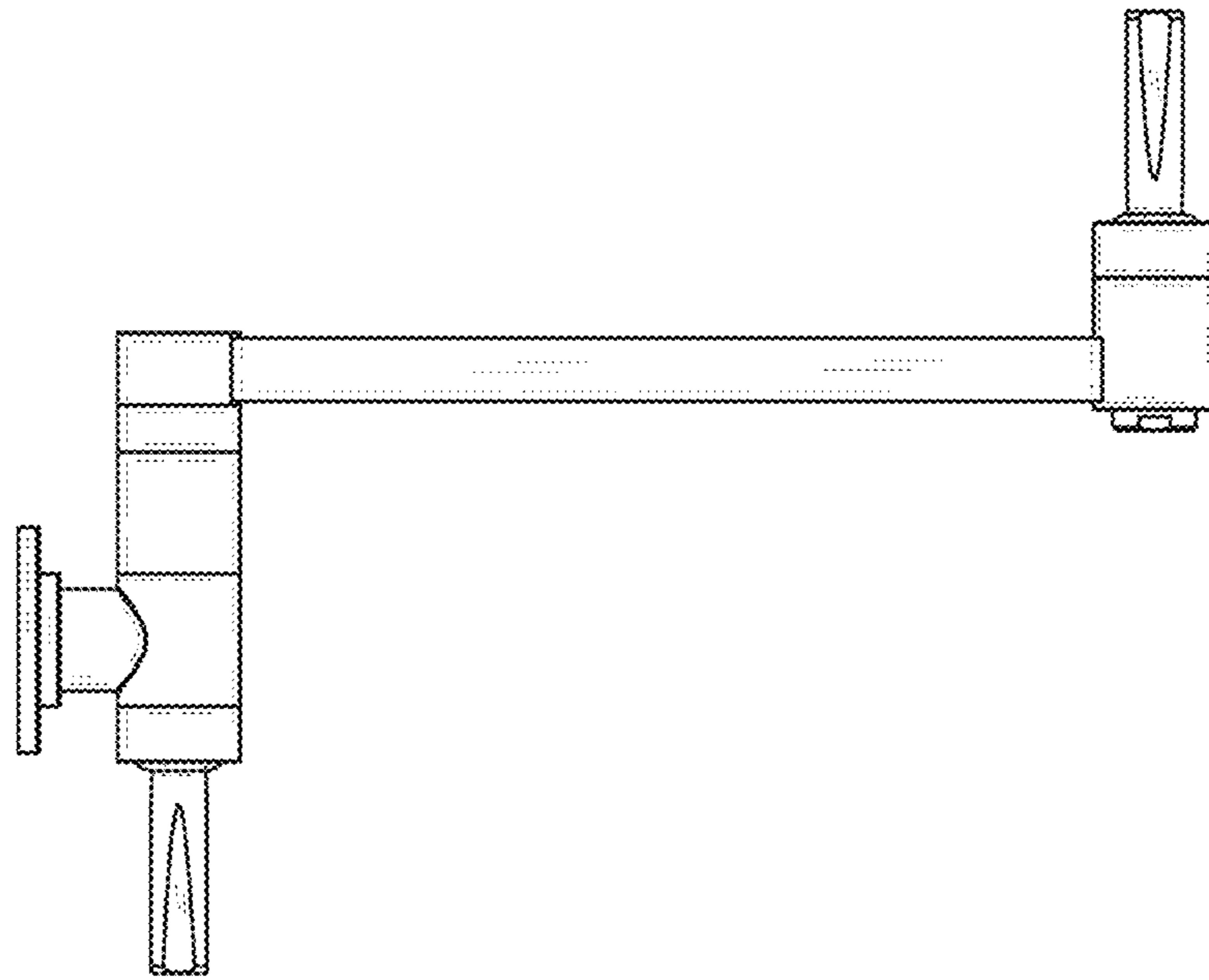


FIG. 3

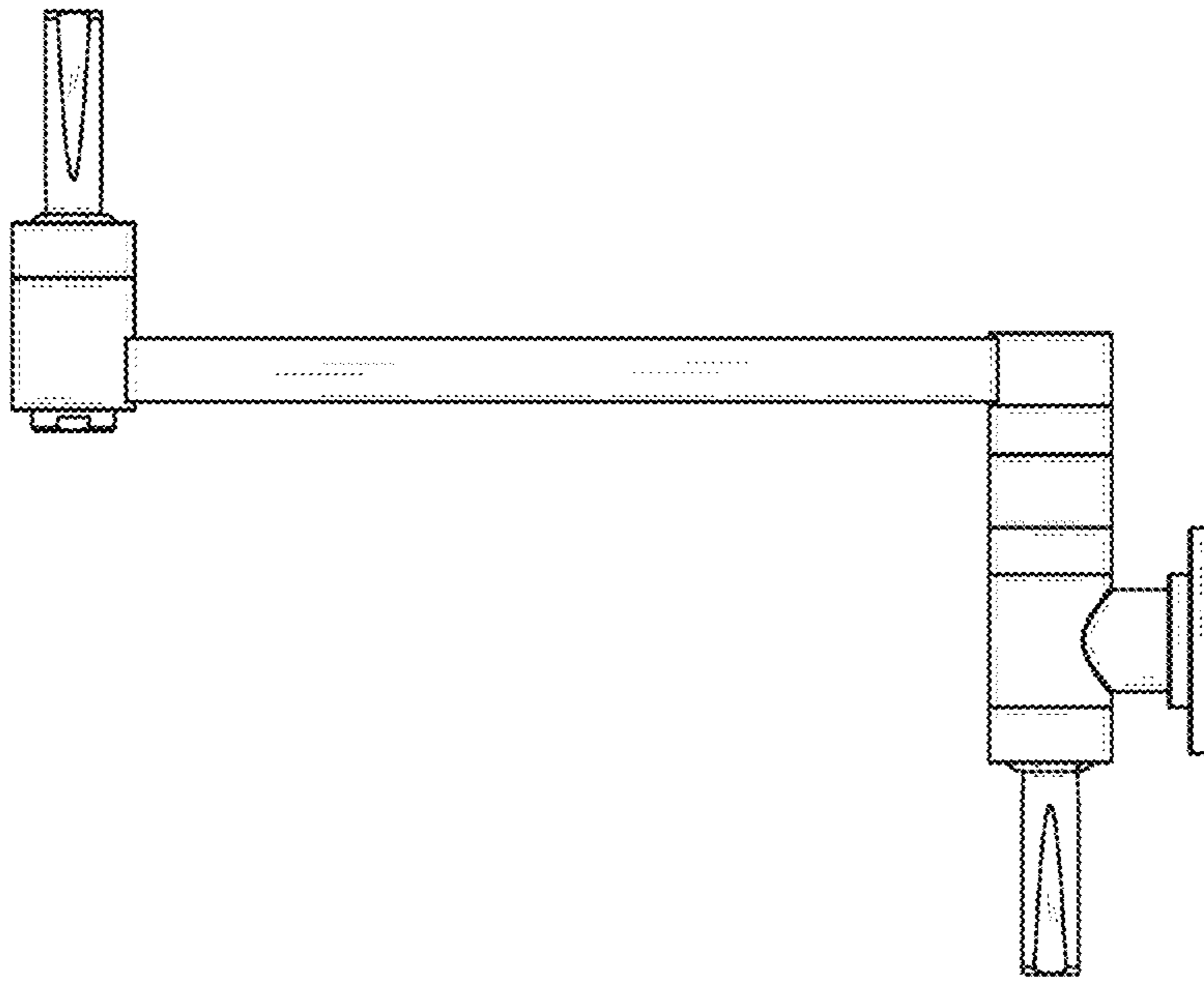


FIG. 4

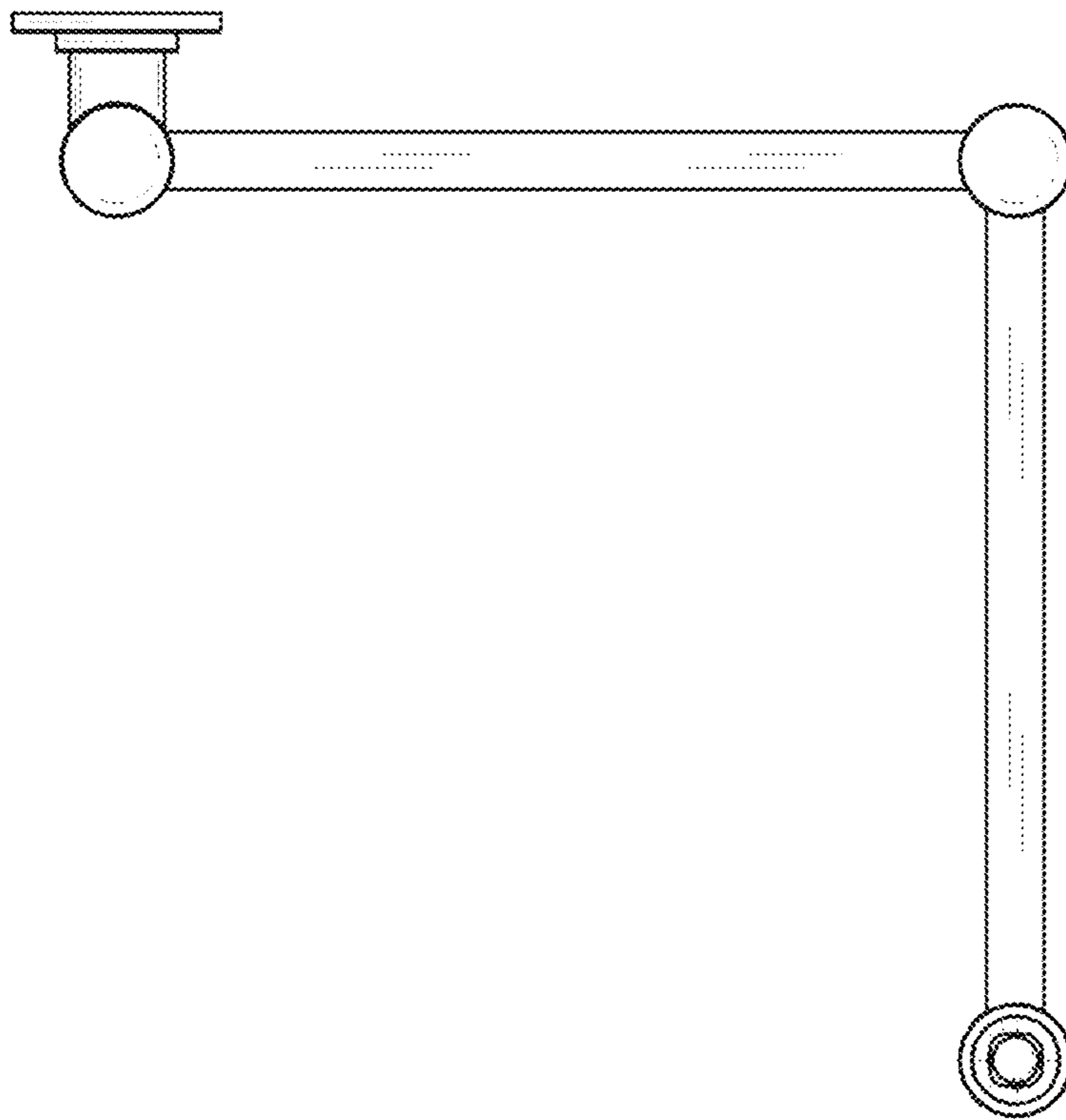


FIG. 5

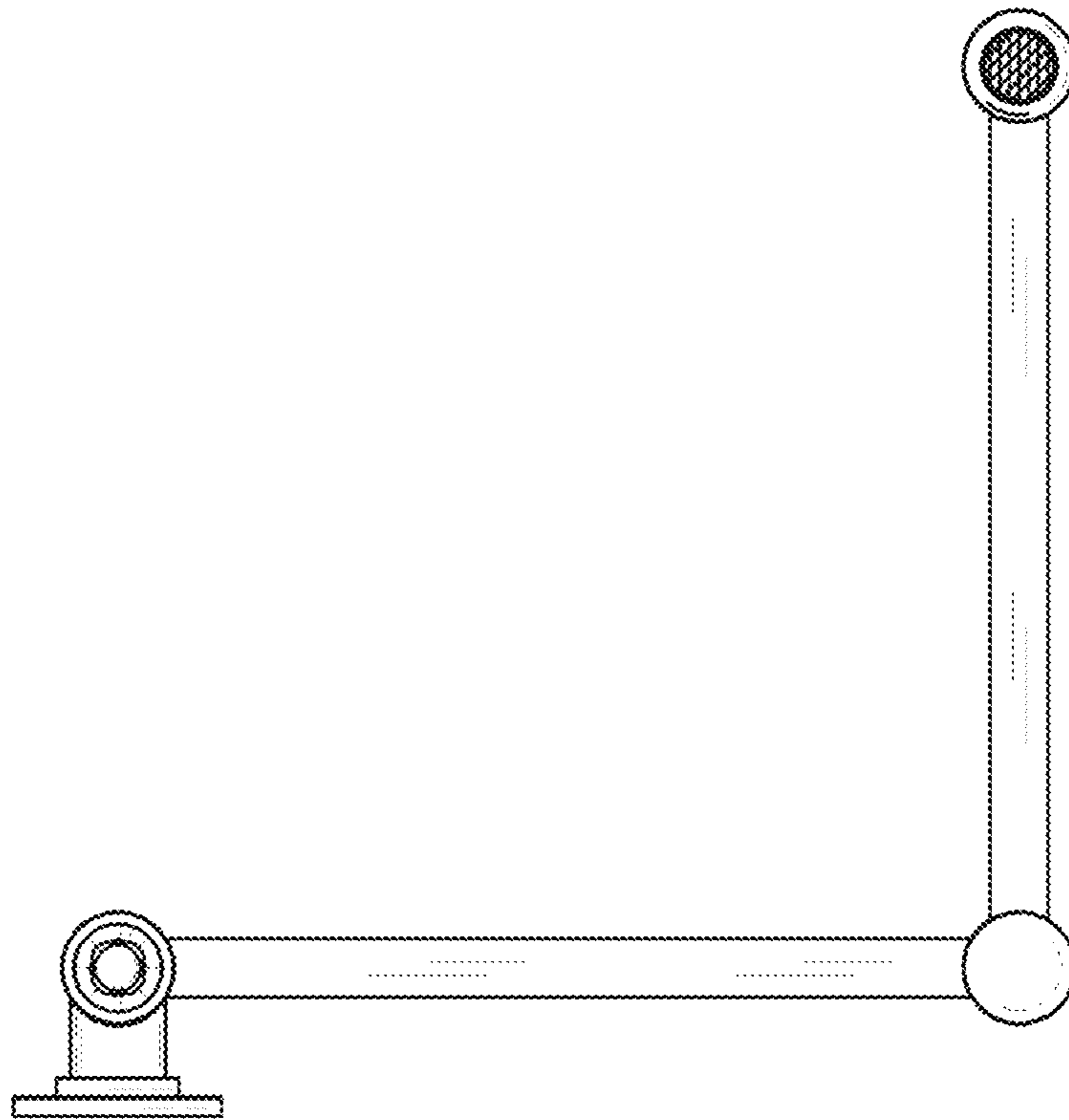


FIG. 6