



US00D883435S

(12) **United States Design Patent**
Lu et al.

(10) **Patent No.:** **US D883,435 S**

(45) **Date of Patent:** **** May 5, 2020**

(54) **FAUCET**

(71) Applicant: **XIAMEN IEBS HI-TECH CO., LTD.**,
Xiamen (CN)

(72) Inventors: **Yang Lu**, Xiamen (CN); **Xinxing Wang**, Xiamen (CN)

(73) Assignee: **Xiamen IEBS Hi-Tech Co., Ltd.**,
Xiamen, Fujian (CN)

(**) Term: **15 Years**

(21) Appl. No.: **29/669,965**

(22) Filed: **Nov. 13, 2018**

(30) **Foreign Application Priority Data**

Sep. 29, 2018 (CN) 2018 3 0551640

(51) **LOC (12) Cl.** **23-01**

(52) **U.S. Cl.**
USPC **D23/238**

(58) **Field of Classification Search**
USPC D23/238, 241–243, 249–250, 252, 254;
D8/307–308, 353
CPC Y10T 137/9464; Y10T 137/6014; Y10T
137/6017
See application file for complete search history.

(56) **References Cited**

U.S. PATENT DOCUMENTS

D529,996 S * 10/2006 Martinez D23/238
7,296,588 B1 * 11/2007 Hwang E03C 1/0402
137/359

D612,015 S * 3/2010 Lammel D23/238
D713,936 S * 9/2014 Antonello D23/241
D737,937 S * 9/2015 Flowers D23/238
D804,616 S * 12/2017 Flowers D23/238
10,010,223 B2 * 7/2018 Burgo, Sr. E03C 1/0404
D868,212 S * 11/2019 Diefenbach D23/238

* cited by examiner

Primary Examiner — Robert A Delehanty

(74) *Attorney, Agent, or Firm* — Rosenberg, Klein & Lee

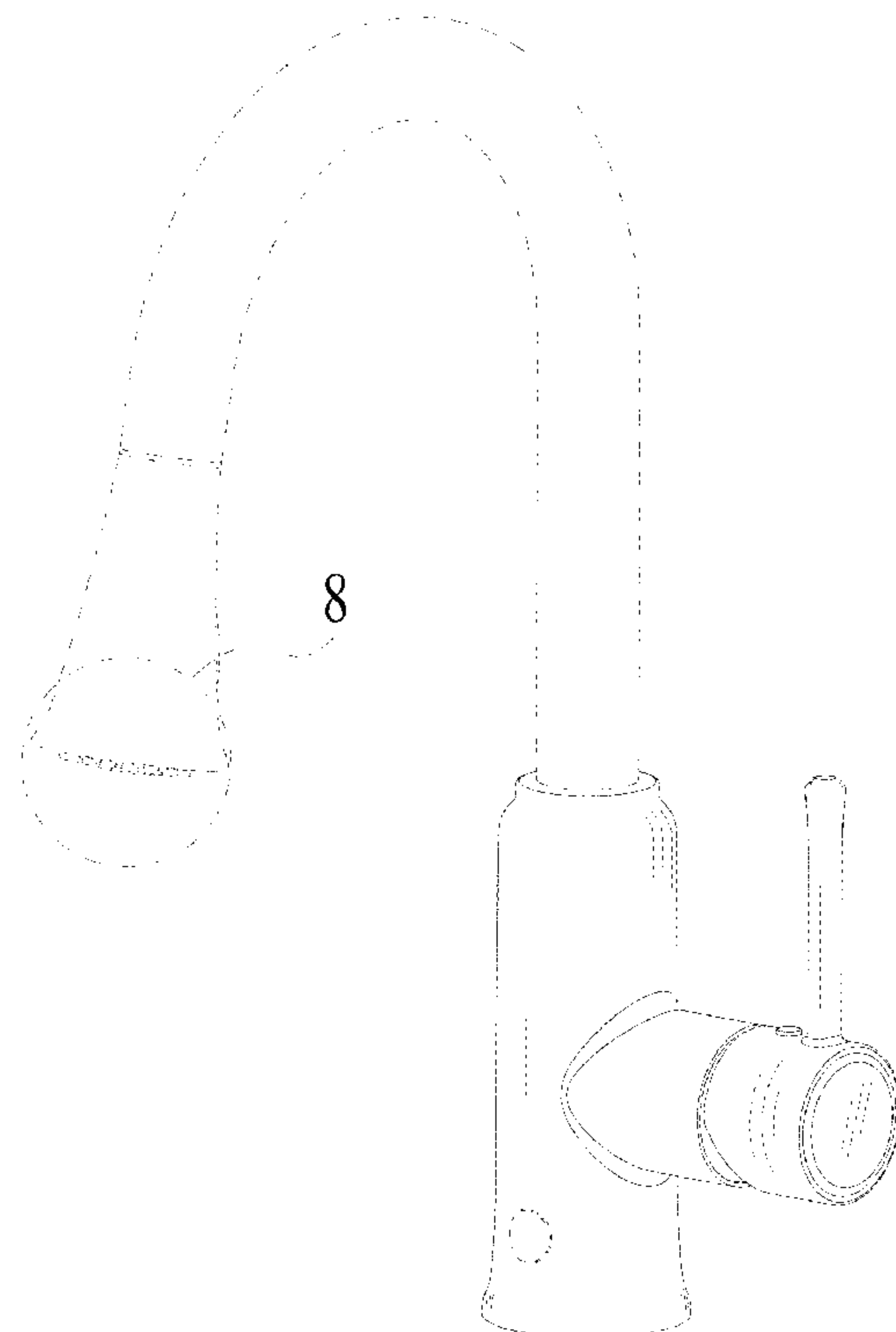
(57) **CLAIM**

The ornamental design for a faucet, as shown and described.

DESCRIPTION

FIG. 1 is a top, right-side, rear perspective view of a faucet showing the new design;
FIG. 2 is a front elevational view thereof;
FIG. 3 is a rear elevational view thereof;
FIG. 4 is a left-side elevational view thereof;
FIG. 5 is a right-side elevational view thereof;
FIG. 6 is a top plan view thereof;
FIG. 7 is a bottom plan view thereof;
FIG. 8 is an enlarged partial view of FIG. 1;
FIG. 9 is an enlarged partial view of FIG. 2;
FIG. 10 is an enlarged partial view of FIG. 4; and,
FIG. 11 is an enlarged partial view of FIG. 7.
The broken lines in the figures depict environmental subject matter and form no part of the claimed design.

1 Claim, 11 Drawing Sheets



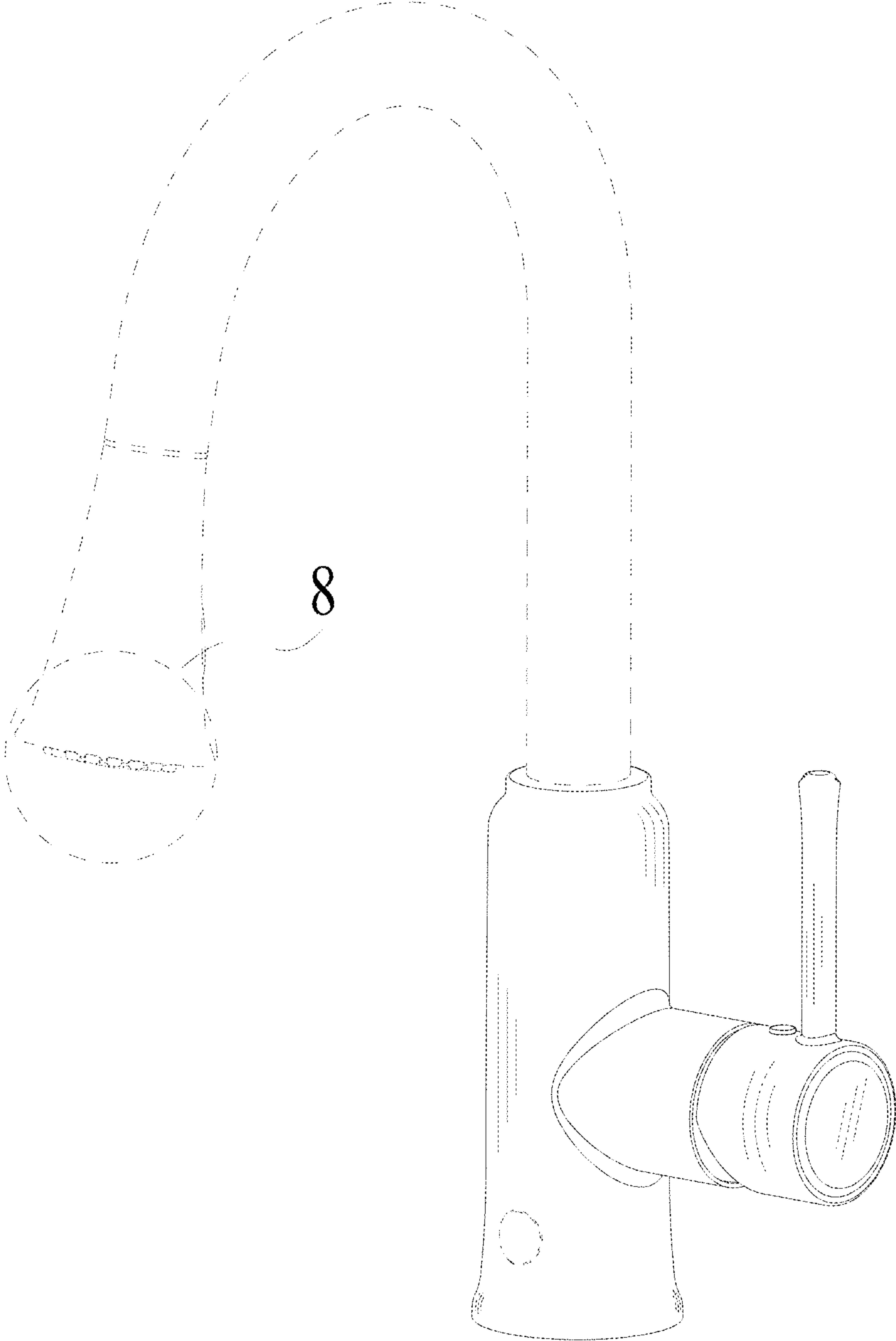


FIG.1

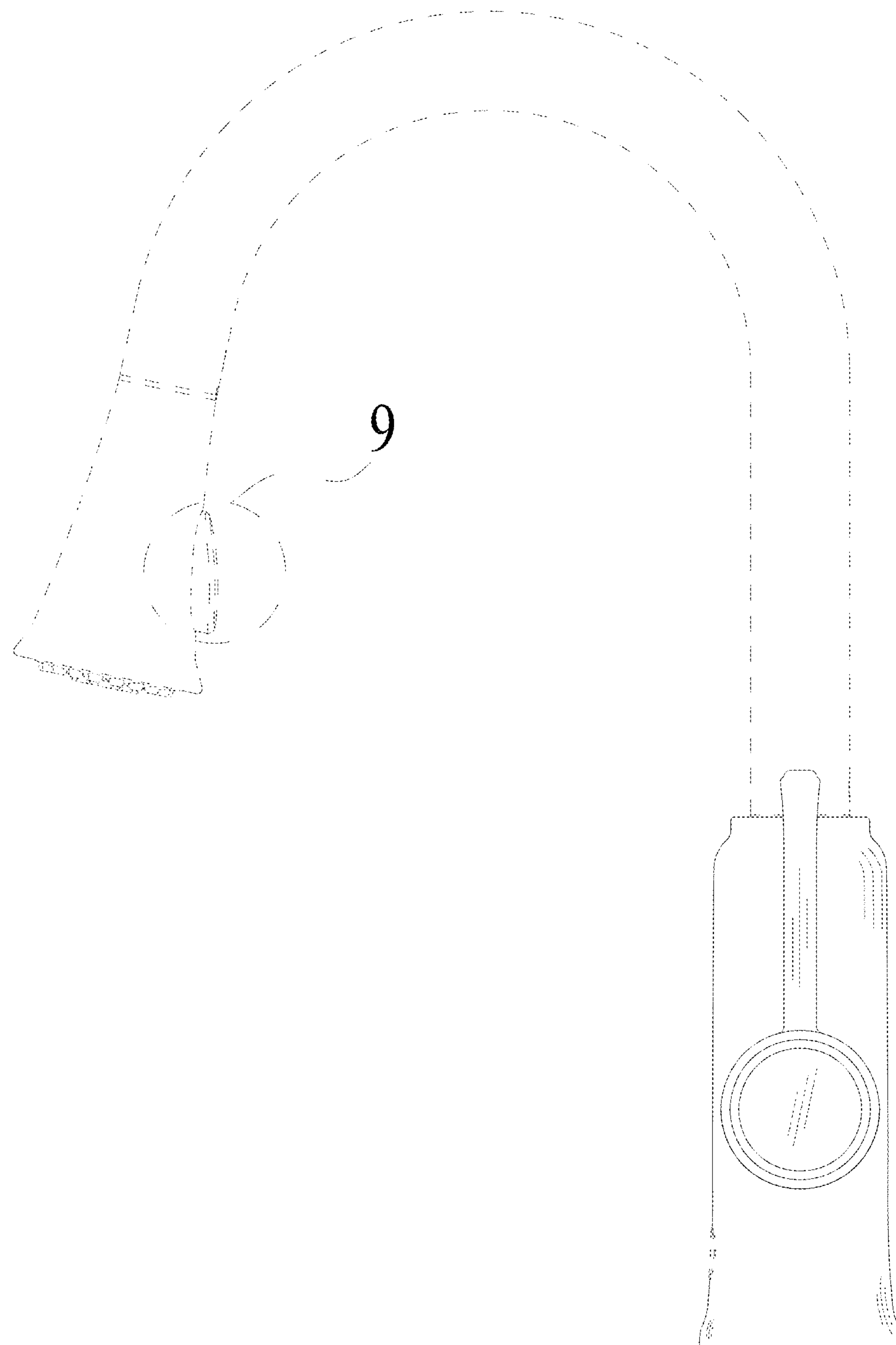


FIG. 2

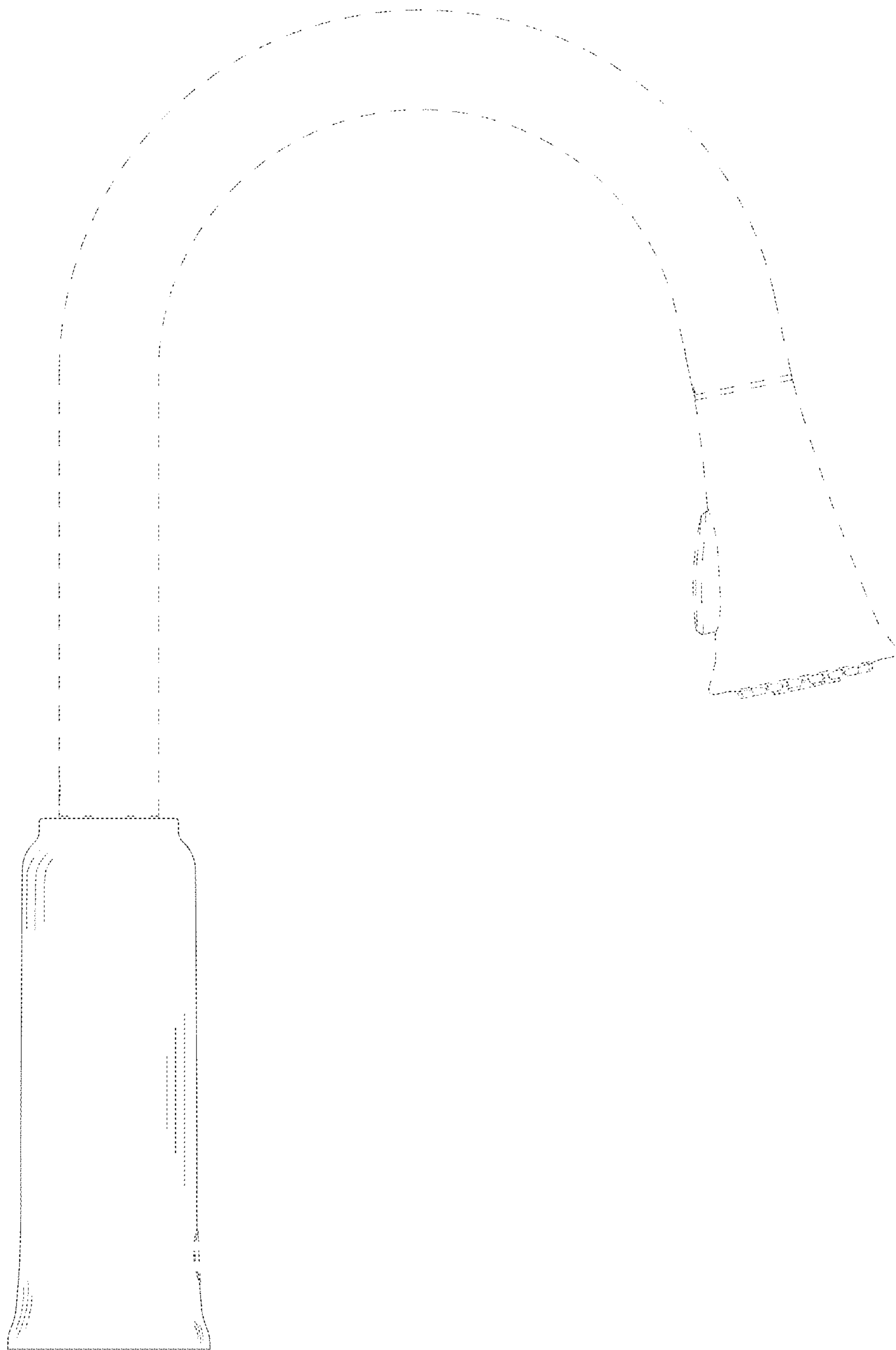


FIG.3

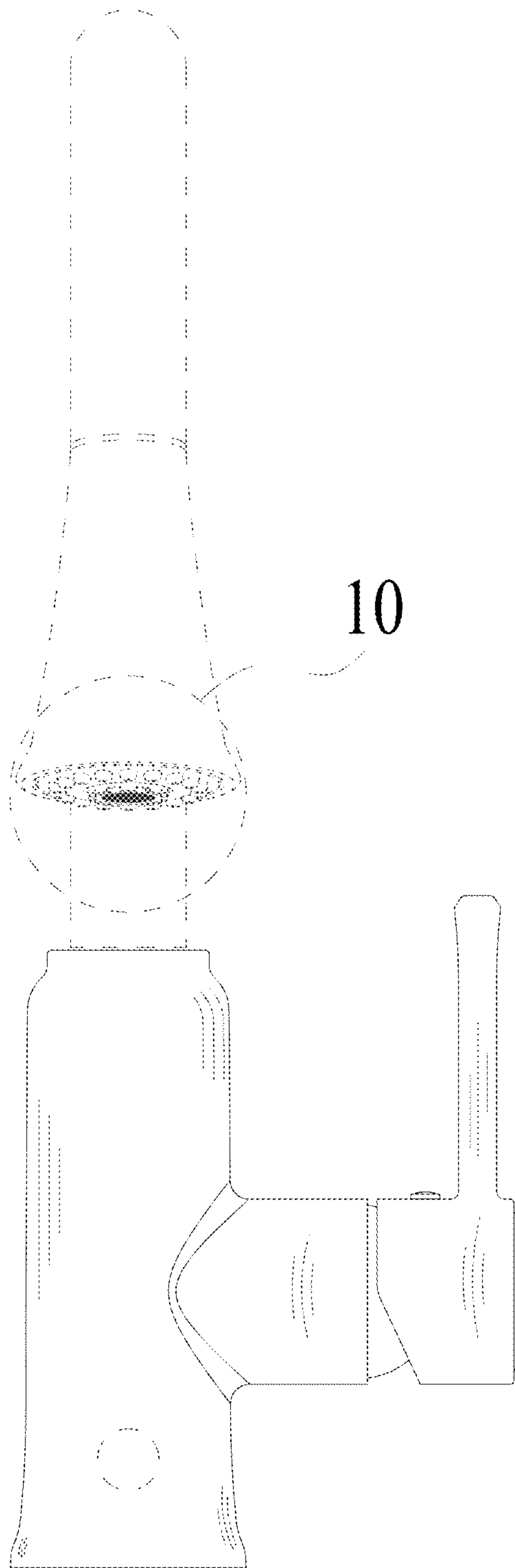


FIG.4

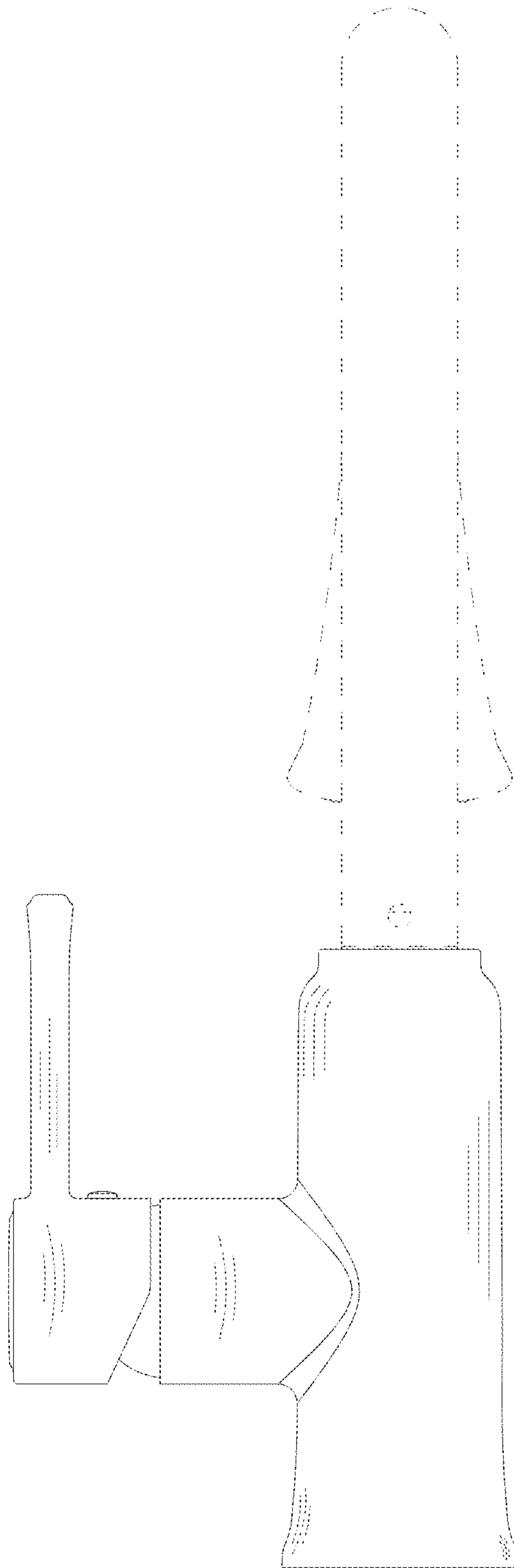


FIG.5

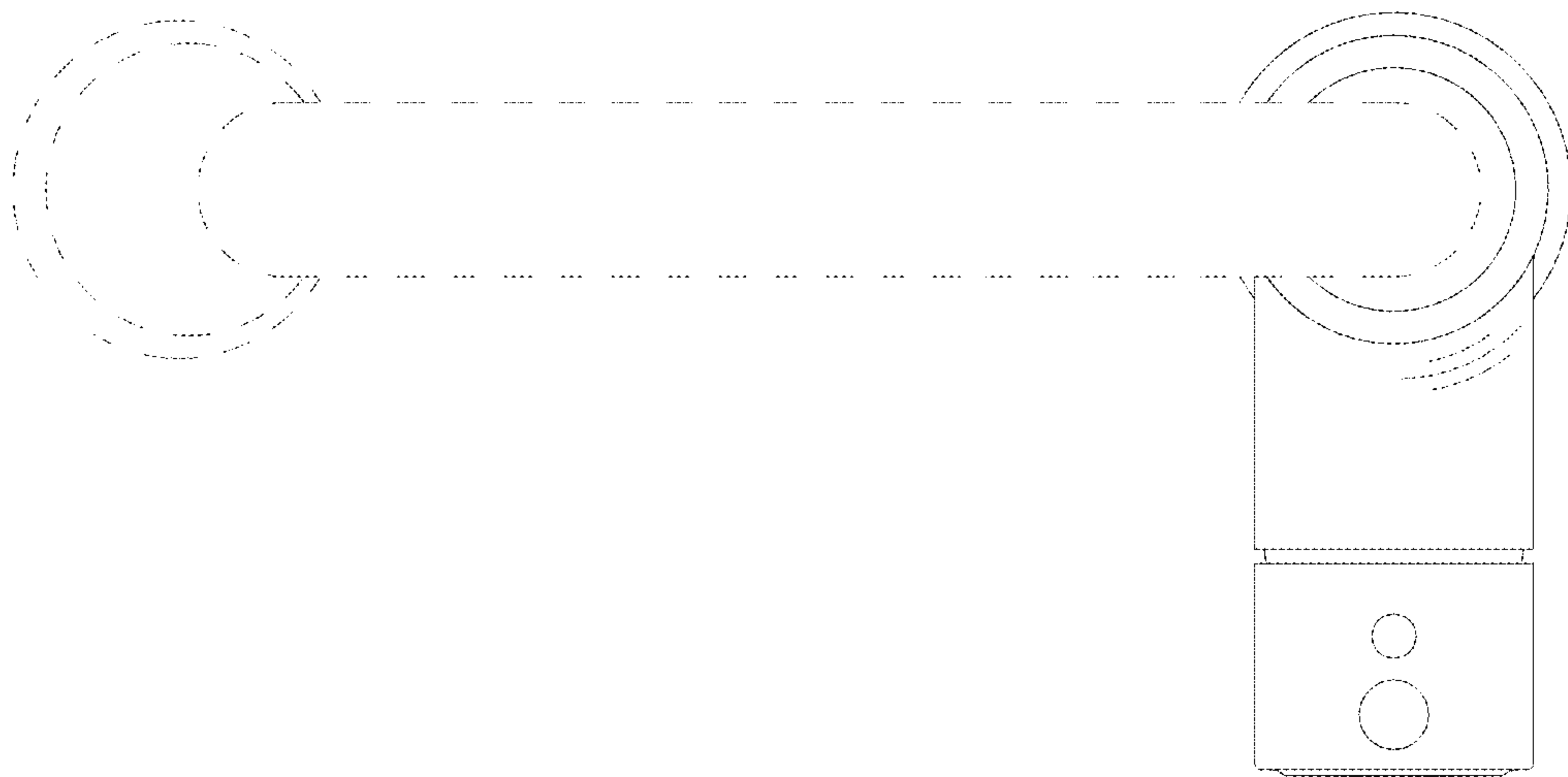


FIG.6

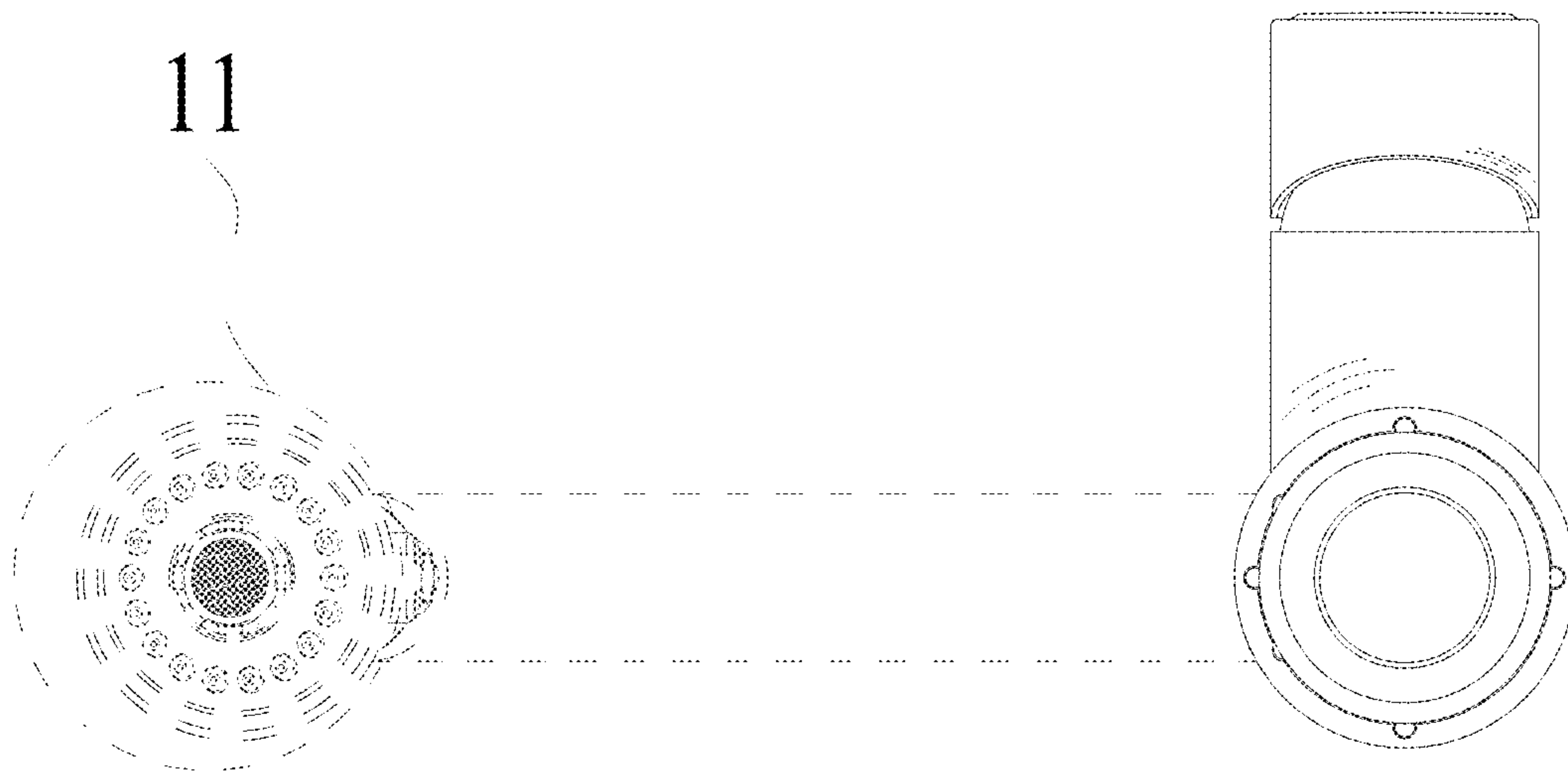


FIG.7

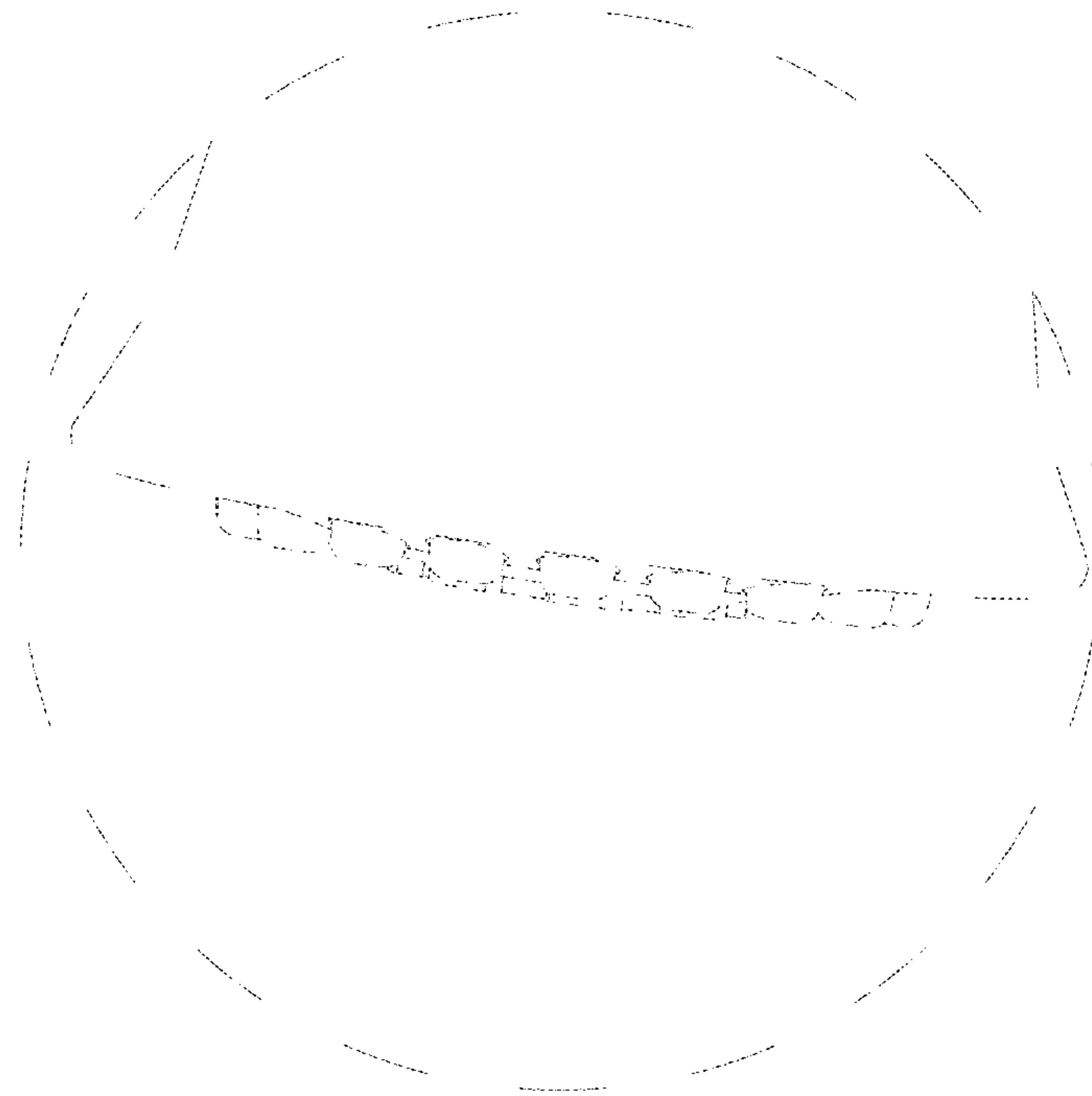


FIG.8

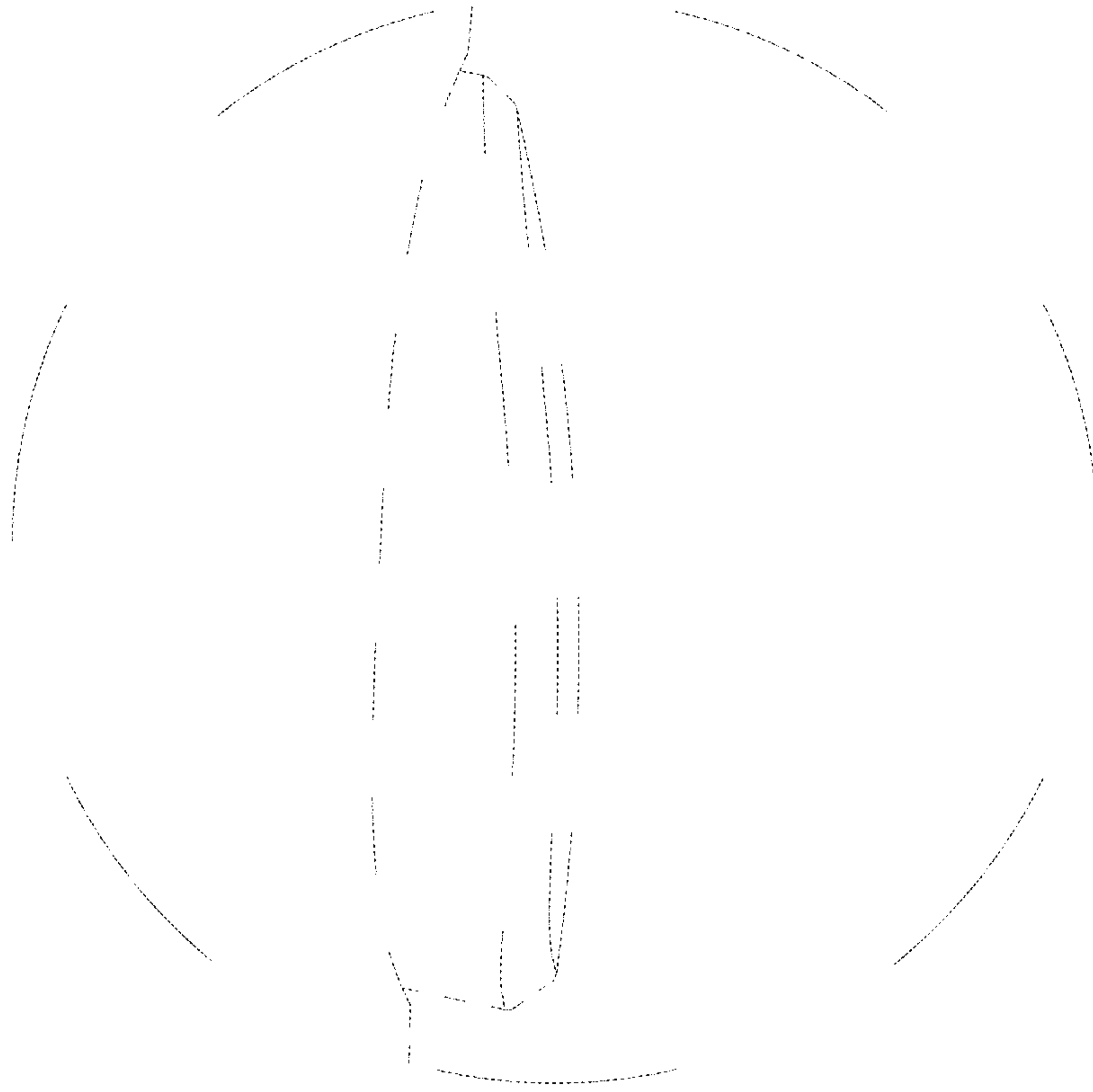


FIG.9

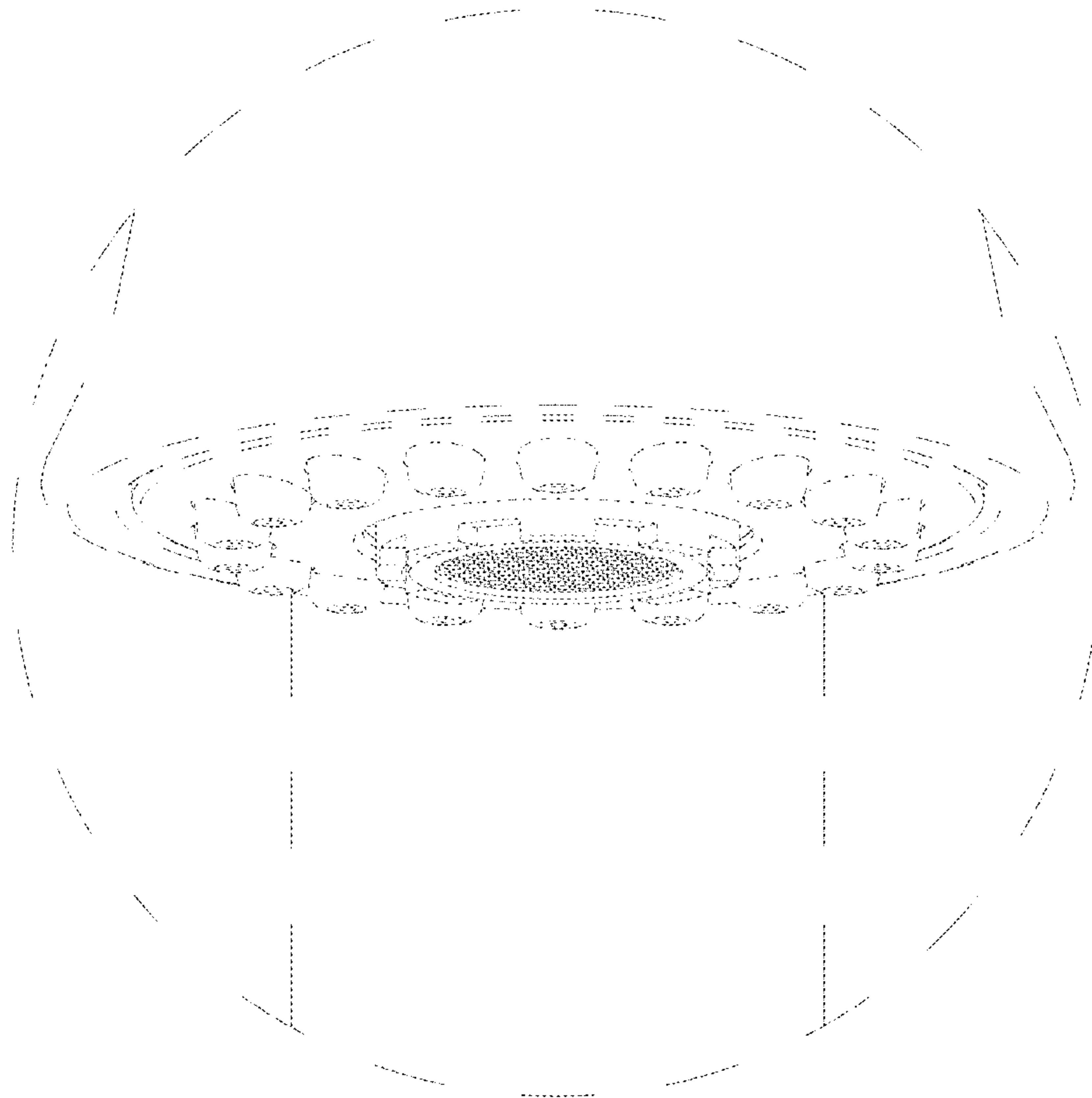


FIG.10

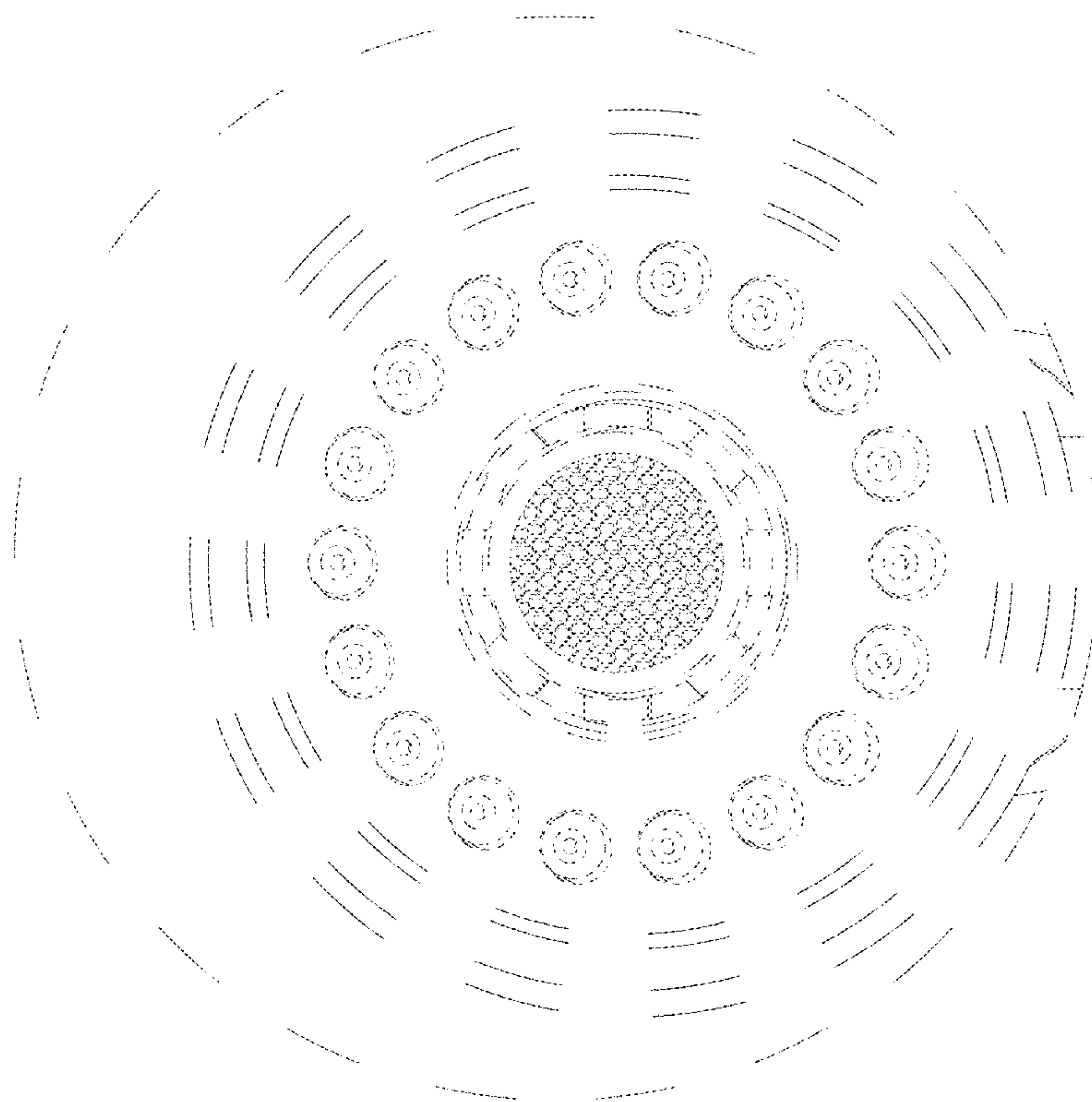


FIG.11