



US00D883432S

(12) **United States Design Patent**  
**Stein et al.**

(10) **Patent No.:** **US D883,432 S**

(45) **Date of Patent:** **\*\* \*May 5, 2020**

(54) **JET REGULATOR**

(71) Applicant: **NEOPERL GMBH**, Müllheim (DE)

(72) Inventors: **Alexander Stein**, Ihringen (DE); **Simon Twitchett**, Kidderminster (GB)

(73) Assignee: **Neoperl GmbH**, Müllheim (DE)

(\*) Notice: This patent is subject to a terminal disclaimer.

(\*\*) Term: **15 Years**

(21) Appl. No.: **35/502,865**

(22) Filed: **Mar. 10, 2017**

(80) **Hague Agreement Data**

Int. Filing Date: **Mar. 10, 2017**

Int. Reg. No.: **DM/095638**

Int. Reg. Date: **Mar. 10, 2017**

Int. Reg. Pub. Date: **Apr. 28, 2017**

(51) **LOC (12) Cl.** ..... **23-01**

(52) **U.S. Cl.**  
USPC ..... **D23/213**

(58) **Field of Classification Search**  
USPC ..... D23/213, 229, 233, 235, 247-249  
CPC ..... B05B 7/0425; E03C 1/08; E03C 1/084;  
E03C 1/086; E03C 2001/026  
See application file for complete search history.

(56) **References Cited**

**U.S. PATENT DOCUMENTS**

D539,873 S \* 4/2007 Grether ..... E03C 1/084  
D23/249  
D550,814 S \* 9/2007 Grether ..... D23/249

D684,241 S \* 6/2013 Tempel ..... D23/213  
D752,710 S \* 3/2016 Tempel ..... D23/213  
D753,792 S \* 4/2016 Blum ..... D23/213  
D776,242 S \* 1/2017 Blum ..... D23/213  
D788,264 S \* 5/2017 Stein ..... D23/213  
D844,747 S \* 4/2019 Blum ..... D23/213  
2011/0278380 A1 11/2011 Zoller  
2016/0222637 A1\* 8/2016 Stein ..... E03C 1/084

\* cited by examiner

*Primary Examiner* — Keli L Hill

(74) *Attorney, Agent, or Firm* — Volpe and Koenig, P.C.

(57) **CLAIM**

The ornamental design for a jet regulator, as shown and described.

**DESCRIPTION**

The patent or application file contains at least one drawing executed in color. Copies of this patent or patent application publication with color drawing(s) will be provided by the Office upon request and payment of the necessary fee.

6. Jet regulator

6.1 : Front

6.2 : Left

6.3 : Back

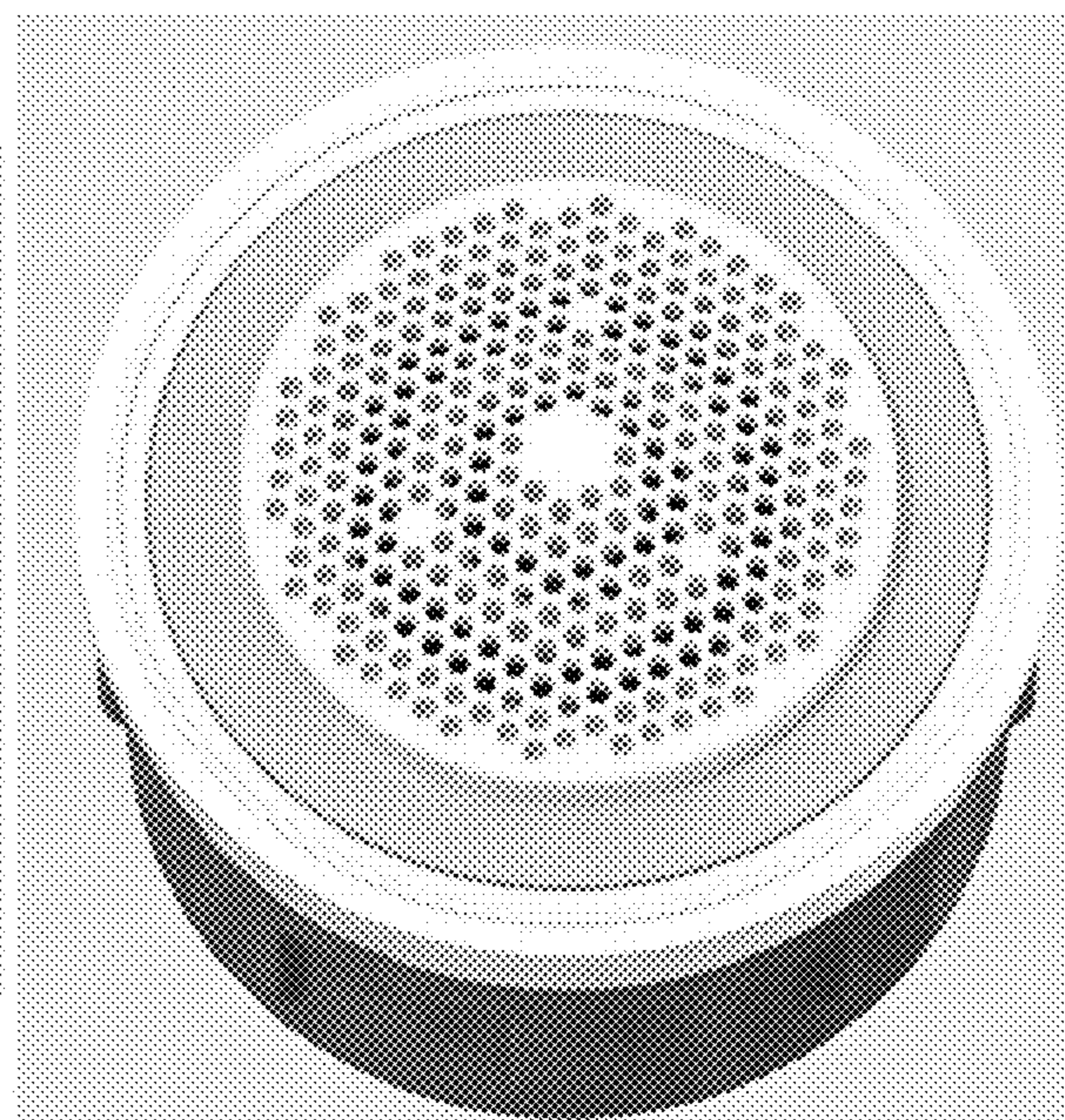
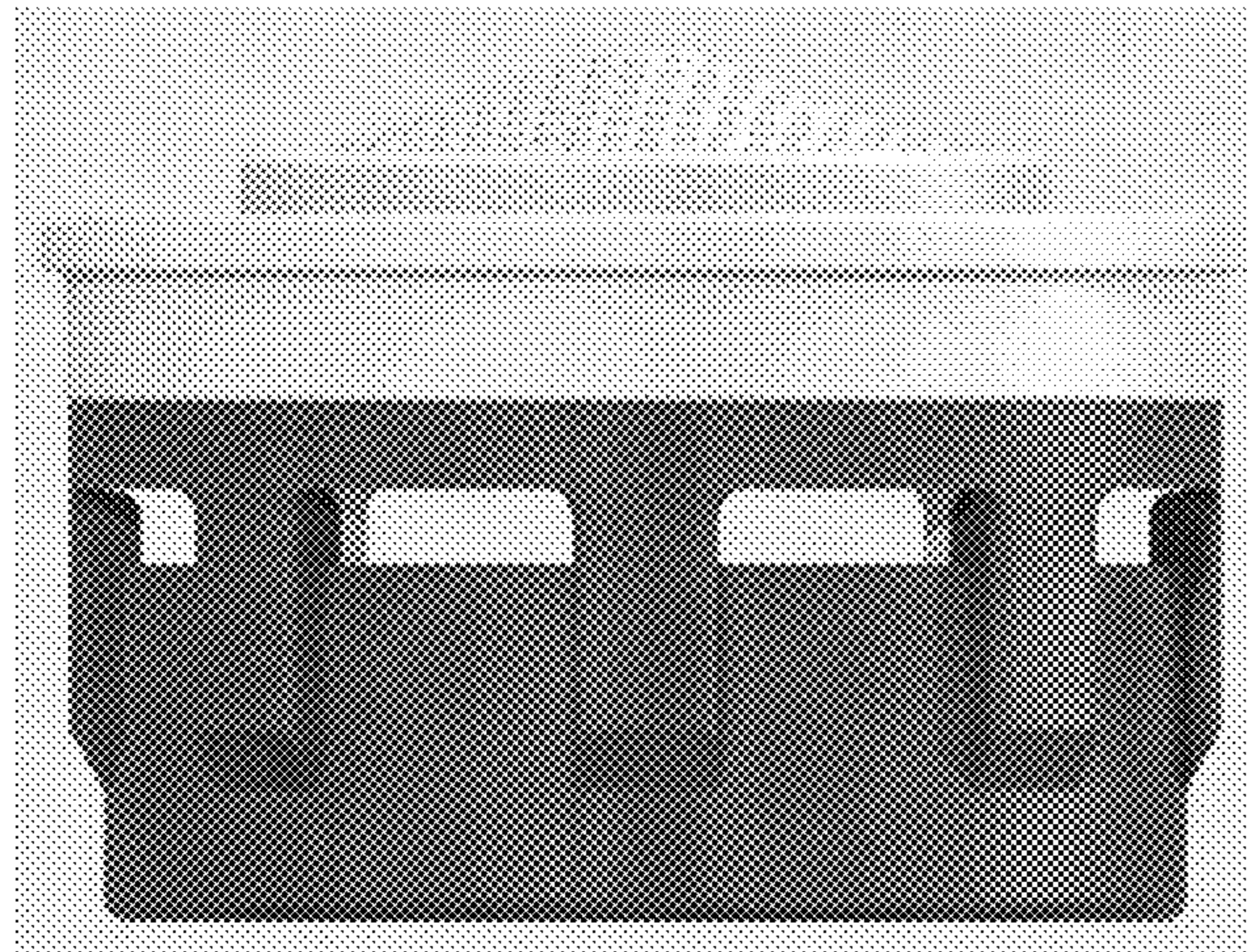
6.4 : Right

6.5 : Top

6.6 : Perspective

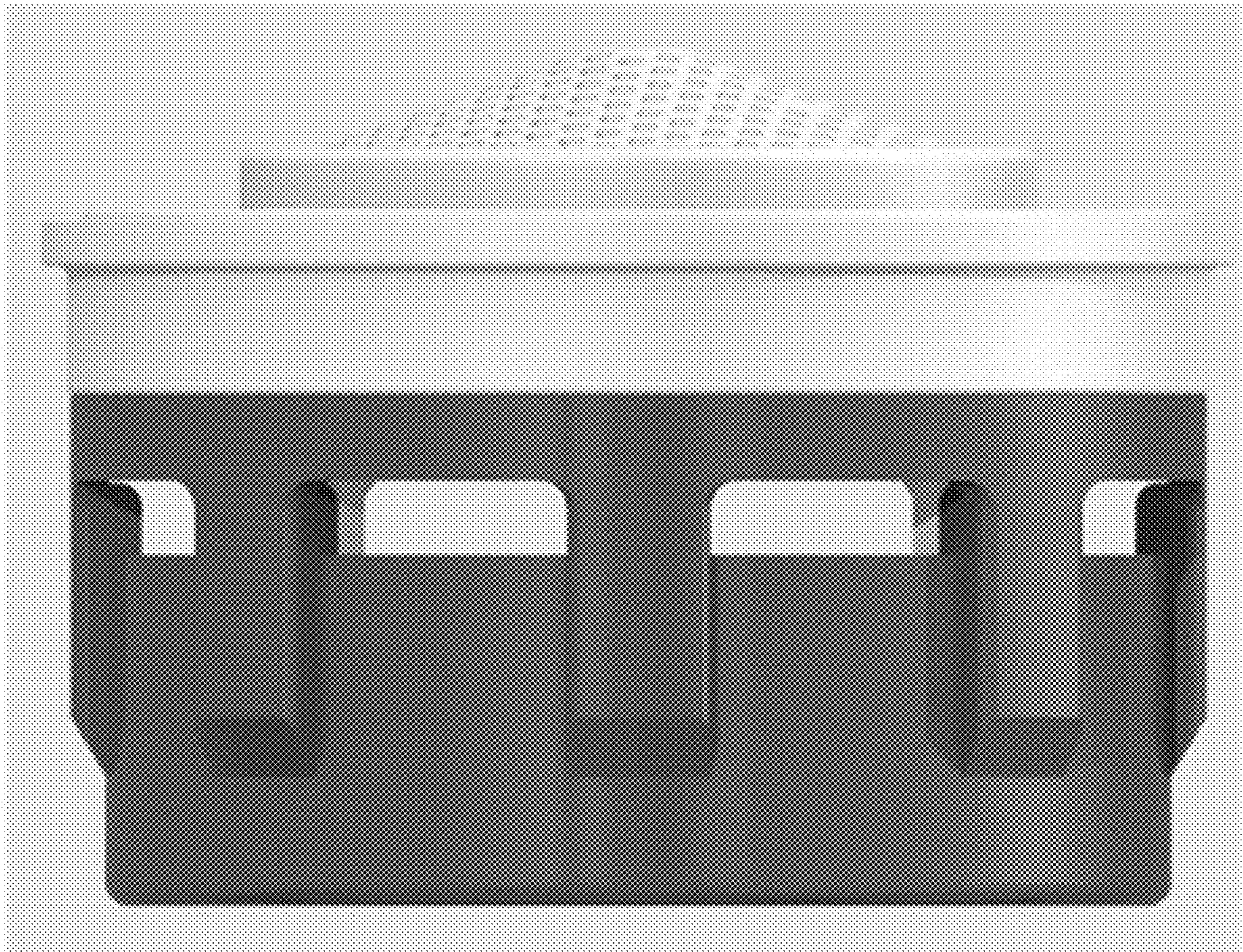
The yellow color applied to the top annular ring in 6.5 and 6.6 forms part of the claimed design. The internal features seen through the hexagonal grill openings in 6.5. and 6.6 form no part of the claimed design.

**1 Claim, 6 Drawing Sheets**  
**(2 of 6 Drawing Sheet(s) Filed in Color)**



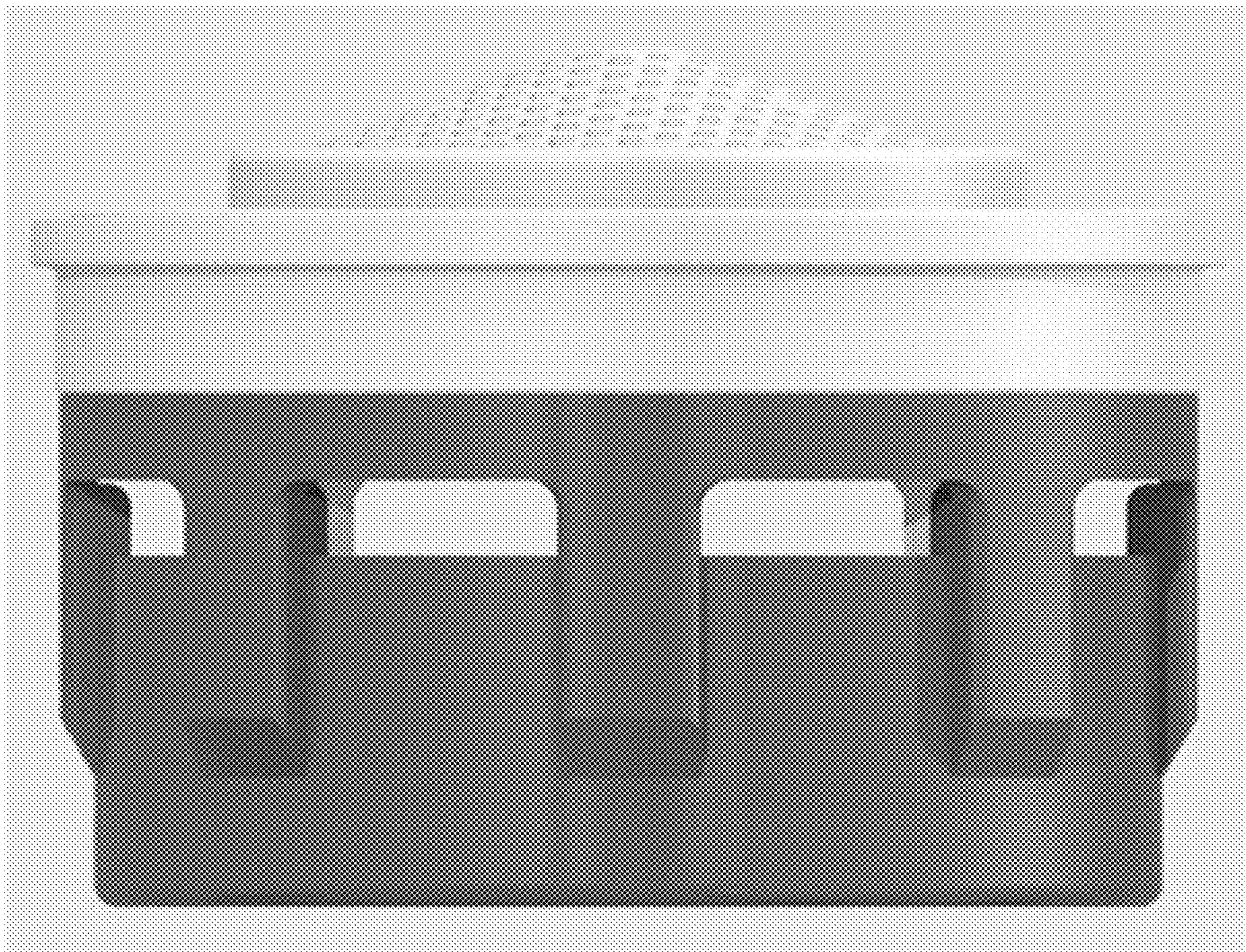


6.1



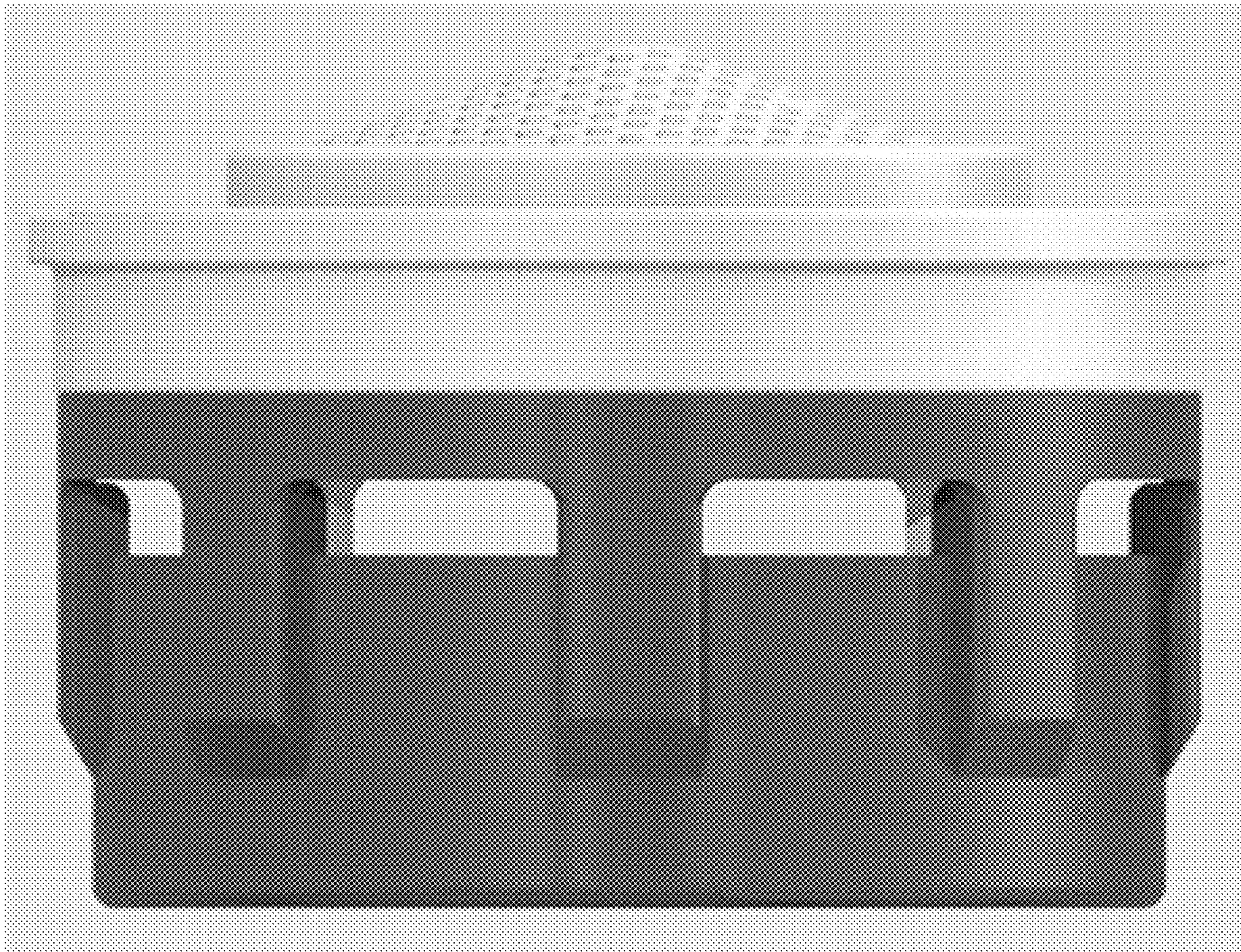


6.2



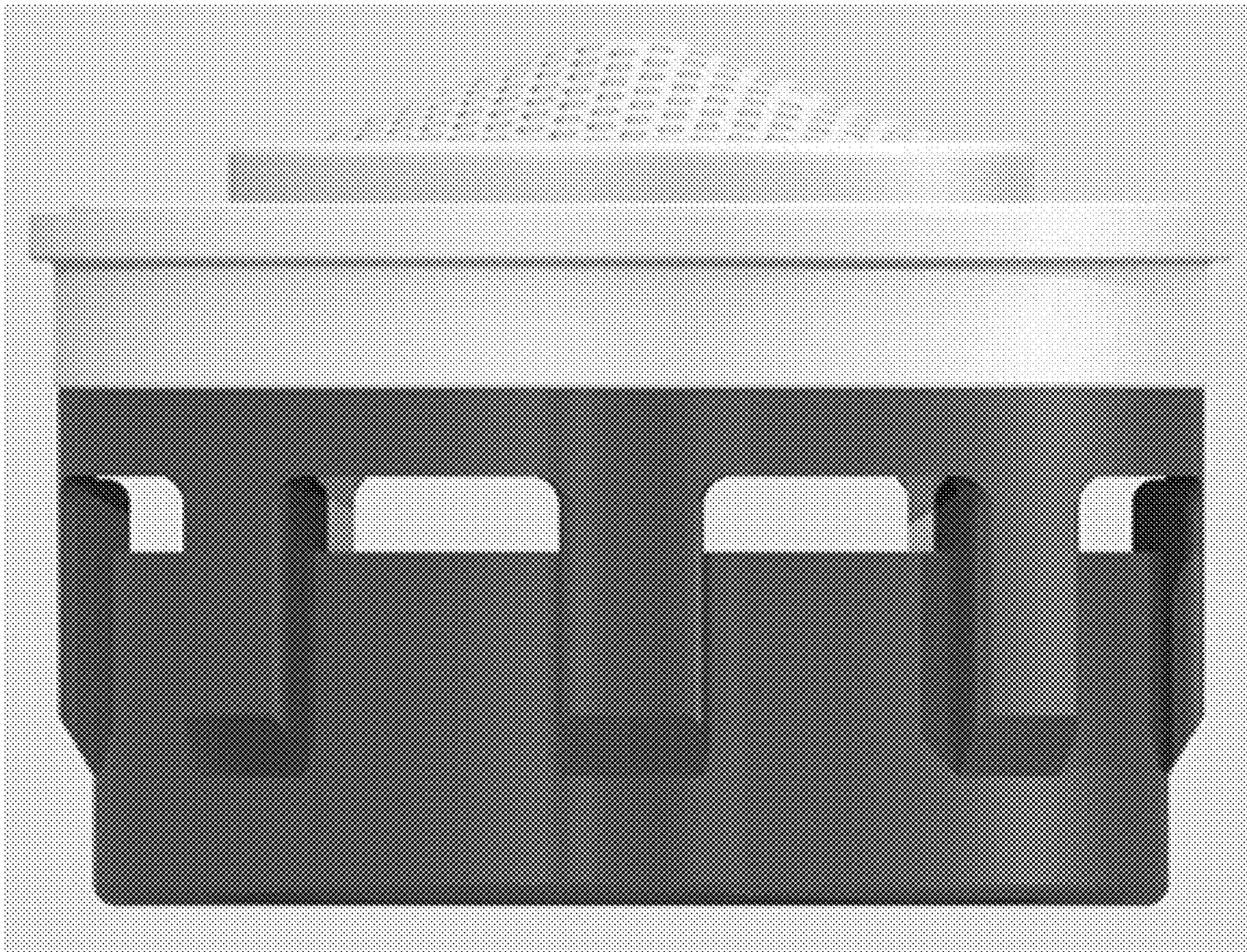


6.3



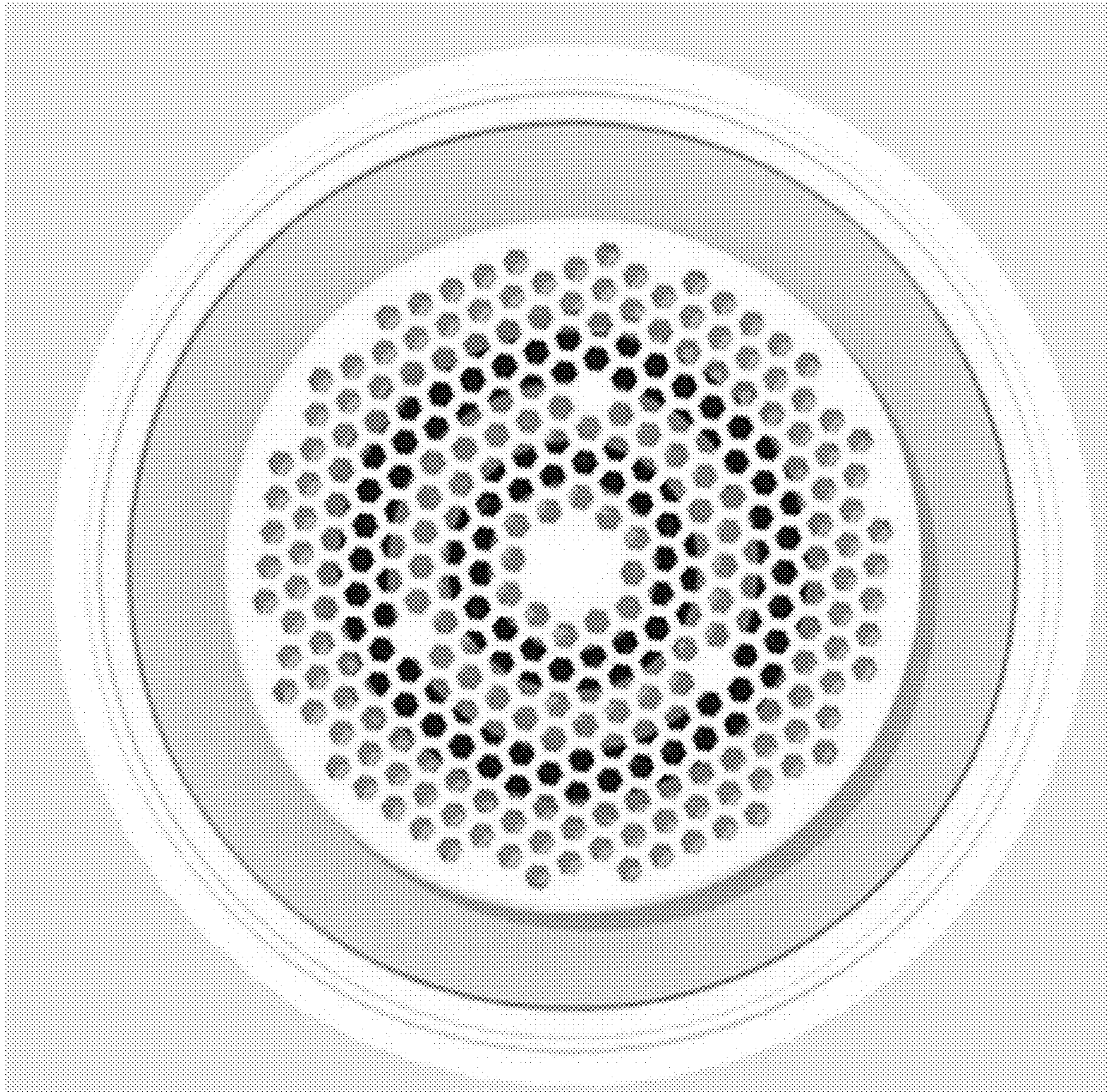


6.4





6.5





6.6

