



US00D883431S

(12) **United States Design Patent** (10) **Patent No.:** **US D883,431 S**  
**Meyer et al.** (45) **Date of Patent:** **\*\* May 5, 2020**

(54) **PART OF HIGH PRESSURE CLEANER**

(71) Applicant: **Alfred Kaercher SE & Co. KG**,  
Winnenden (DE)

(72) Inventors: **Michael Meyer**, Schwaikheim (DE);  
**Bastian Natho**, Marbach am Neckar  
(DE)

(73) Assignee: **Alfred Kaercher SE & Co. KG**,  
Winnenden (DE)

(\*\*) Term: **15 Years**

(21) Appl. No.: **29/664,846**

(22) Filed: **Sep. 28, 2018**

(30) **Foreign Application Priority Data**

Apr. 6, 2018 (WO) ..... 7019301

(51) **LOC (12) Cl.** ..... **23-01**

(52) **U.S. Cl.**  
USPC ..... **D23/213**

(58) **Field of Classification Search**  
USPC ..... D23/213, 214, 215, 223, 224, 226, 229,  
D23/230

CPC ..... A61H 9/0021; A61H 33/00; B05B 1/00;  
B05B 1/14; B05B 1/185; B05B 1/08;  
B05B 1/02; B05B 1/26; B05B 12/002;  
B05B 1/18; B05B 9/01

See application file for complete search history.

(56) **References Cited**

**U.S. PATENT DOCUMENTS**

D292,133 S 9/1987 Proctor et al.  
D297,273 S 8/1988 Proctor et al.  
D310,405 S 9/1990 Proctor et al.  
D314,649 S 2/1991 Campbell, Sr. et al.  
D317,968 S 7/1991 Tsai  
D372,072 S 7/1996 Hutcherson et al.

D415,554 S \* 10/1999 Hui-Chen ..... D23/213  
D473,284 S \* 4/2003 Pong ..... D23/213  
D482,428 S \* 11/2003 Fulwider ..... D23/213  
D565,697 S \* 4/2008 Thiel ..... D23/213  
D607,969 S \* 1/2010 Ariaz ..... D23/213  
D612,452 S 3/2010 Nugent et al.  
D617,416 S 6/2010 Chen  
D649,309 S 11/2011 Spann  
D651,689 S \* 1/2012 Chou ..... D23/213  
D661,372 S \* 6/2012 Zhou ..... D23/213  
D679,784 S \* 4/2013 Meyer ..... D23/262  
D687,528 S \* 8/2013 Meyer ..... D23/262  
D691,709 S 10/2013 Franzino et al.

(Continued)

**OTHER PUBLICATIONS**

Alfred Kaercher SE & Co. KG, photographs of pressure cleaner accessories, 1 page, 2017.

*Primary Examiner* — Manpreet S Matharu

*Assistant Examiner* — Keith J Wilson

(74) *Attorney, Agent, or Firm* — Lipsitz & McAllister, LLC

(57) **CLAIM**

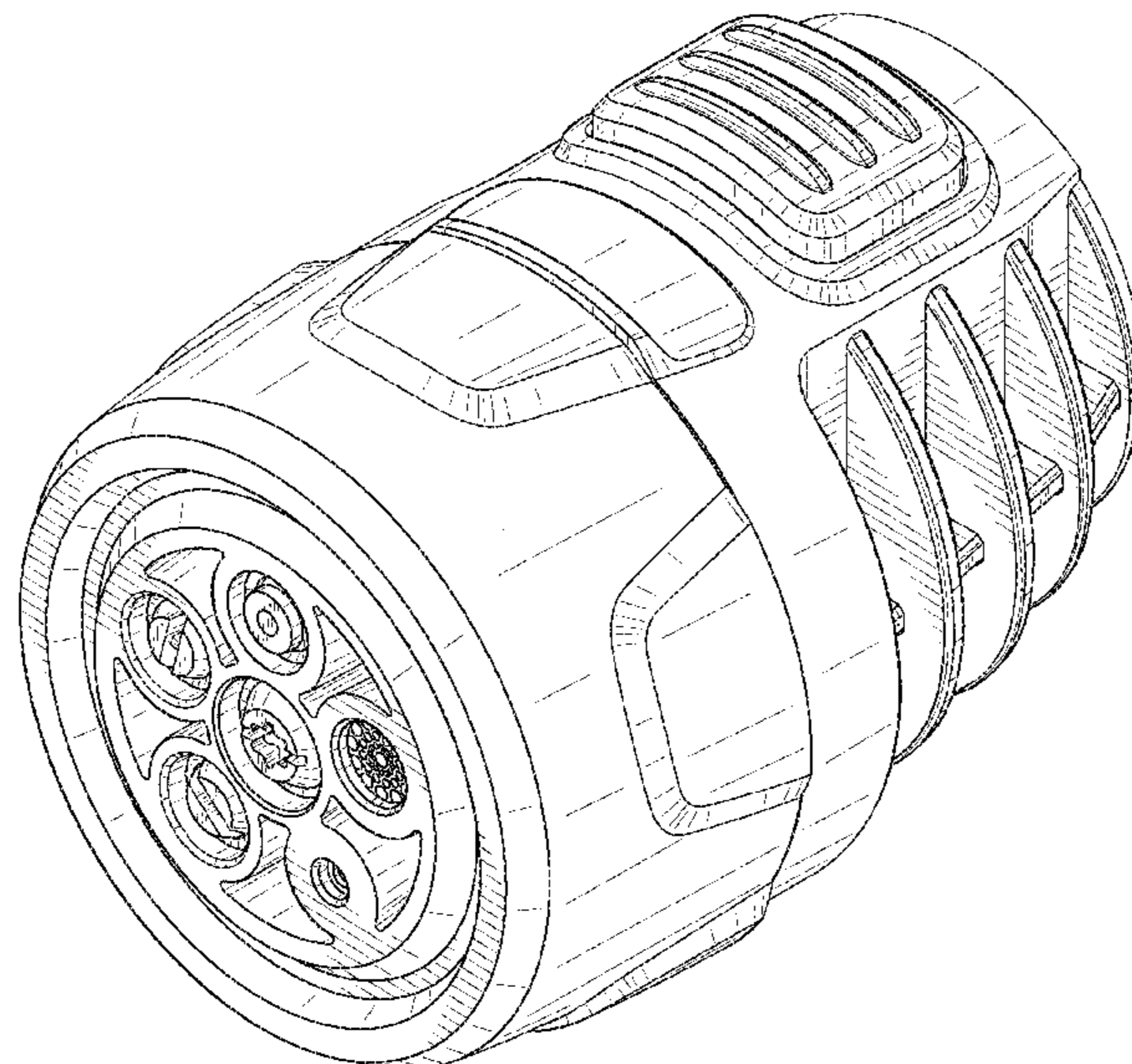
The ornamental design for a part of high pressure cleaner, as shown and described.

**DESCRIPTION**

FIG. 1 is a front, top and left side perspective view of a part of high pressure cleaner showing the new design;  
FIG. 2 is a front, top and right side perspective view thereof;  
FIG. 3 is a top plan view thereof;  
FIG. 4 is a bottom plan view thereof;  
FIG. 5 is a left side elevational view thereof;  
FIG. 6 is a right side elevational view thereof;  
FIG. 7 is a front elevational view thereof; and,  
FIG. 8 is a rear elevational view thereof.

The broken line showing of various elements in FIG. 8 forms no part of the claimed design.

**1 Claim, 8 Drawing Sheets**



(56)

**References Cited**

U.S. PATENT DOCUMENTS

D704,799 S \* 5/2014 Crawley ..... D23/213  
D726,282 S \* 4/2015 Ivy ..... D23/213  
D747,440 S \* 1/2016 Naslund ..... D23/213  
D748,762 S \* 2/2016 Naslund ..... D23/262  
D753,265 S 4/2016 Burchard et al.  
D774,163 S \* 12/2016 Solakian ..... D23/213  
D787,027 S 5/2017 Wildfang  
D808,497 S \* 1/2018 Naslund ..... D23/213  
D808,498 S \* 1/2018 Naslund ..... D23/213  
D812,714 S \* 3/2018 Hughes ..... D23/213  
D823,091 S \* 7/2018 Burchard ..... D8/303  
D837,952 S 1/2019 Wildfang  
D856,476 S 8/2019 Park  
D857,312 S 8/2019 Chavana, Jr. et al.  
2009/0008927 A1 \* 1/2009 Binder ..... F16L 37/088  
285/33  
2009/0008928 A1 \* 1/2009 Binder ..... F16L 37/088  
285/39

\* cited by examiner

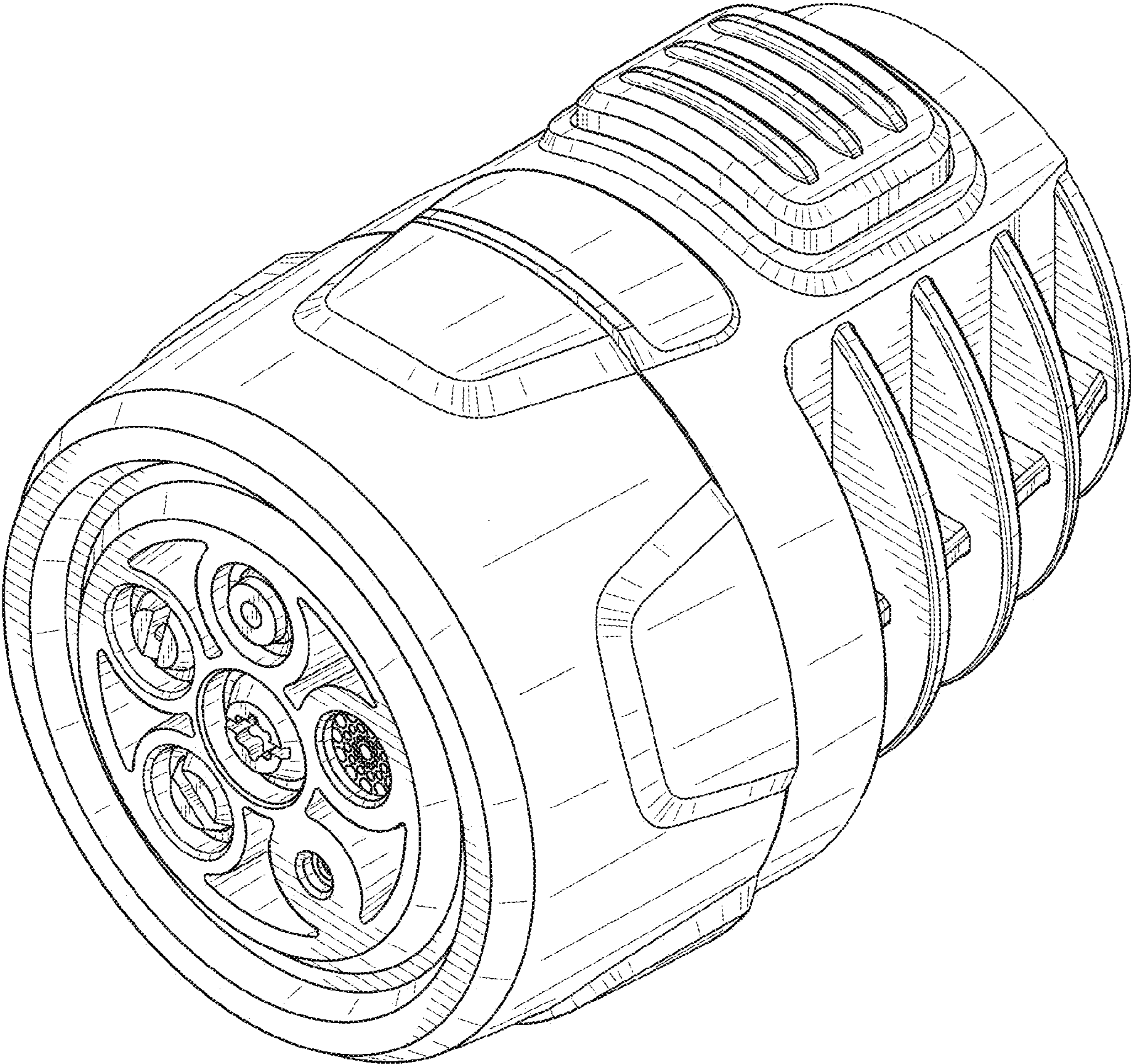


FIG. 1

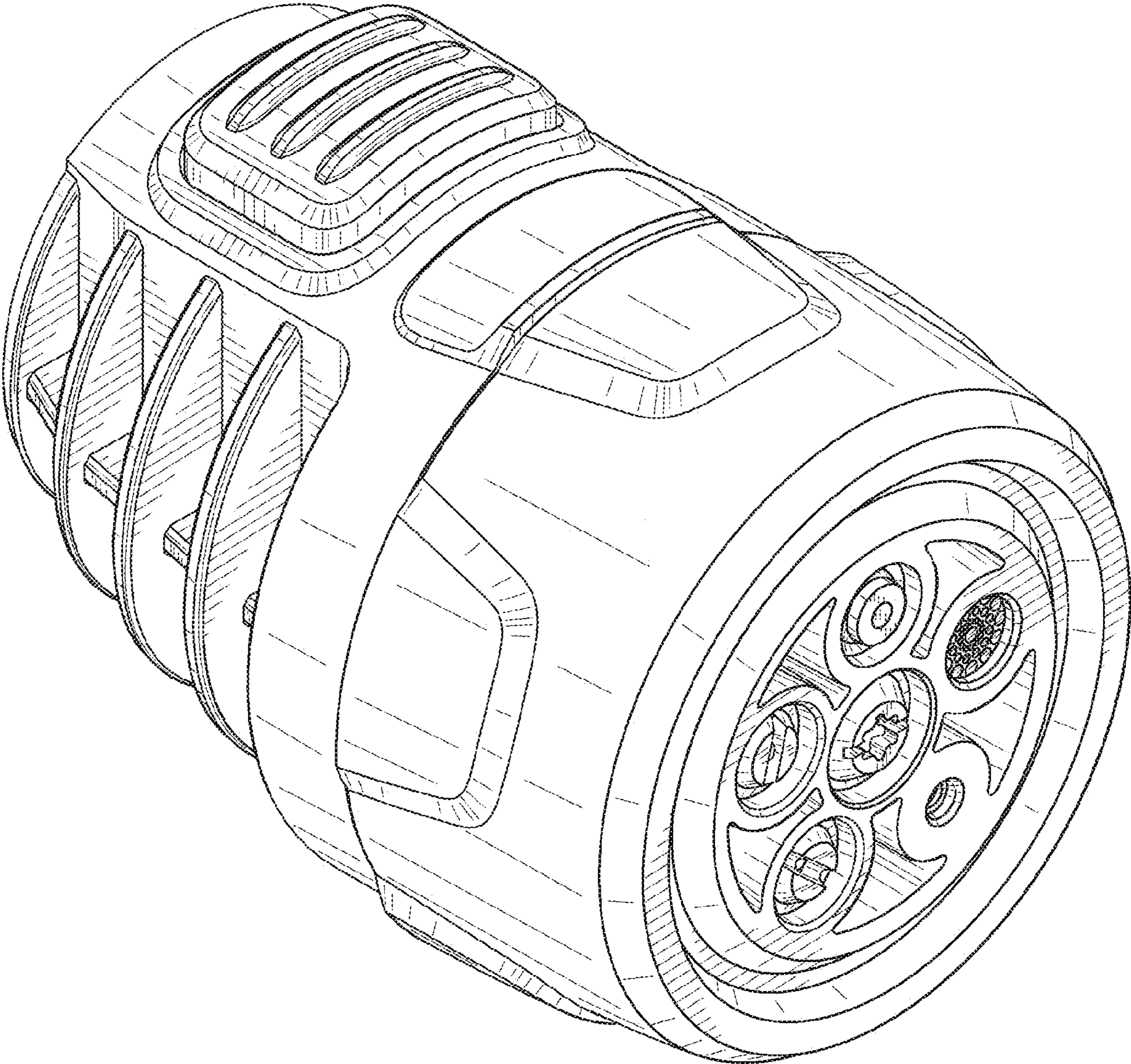


FIG. 2

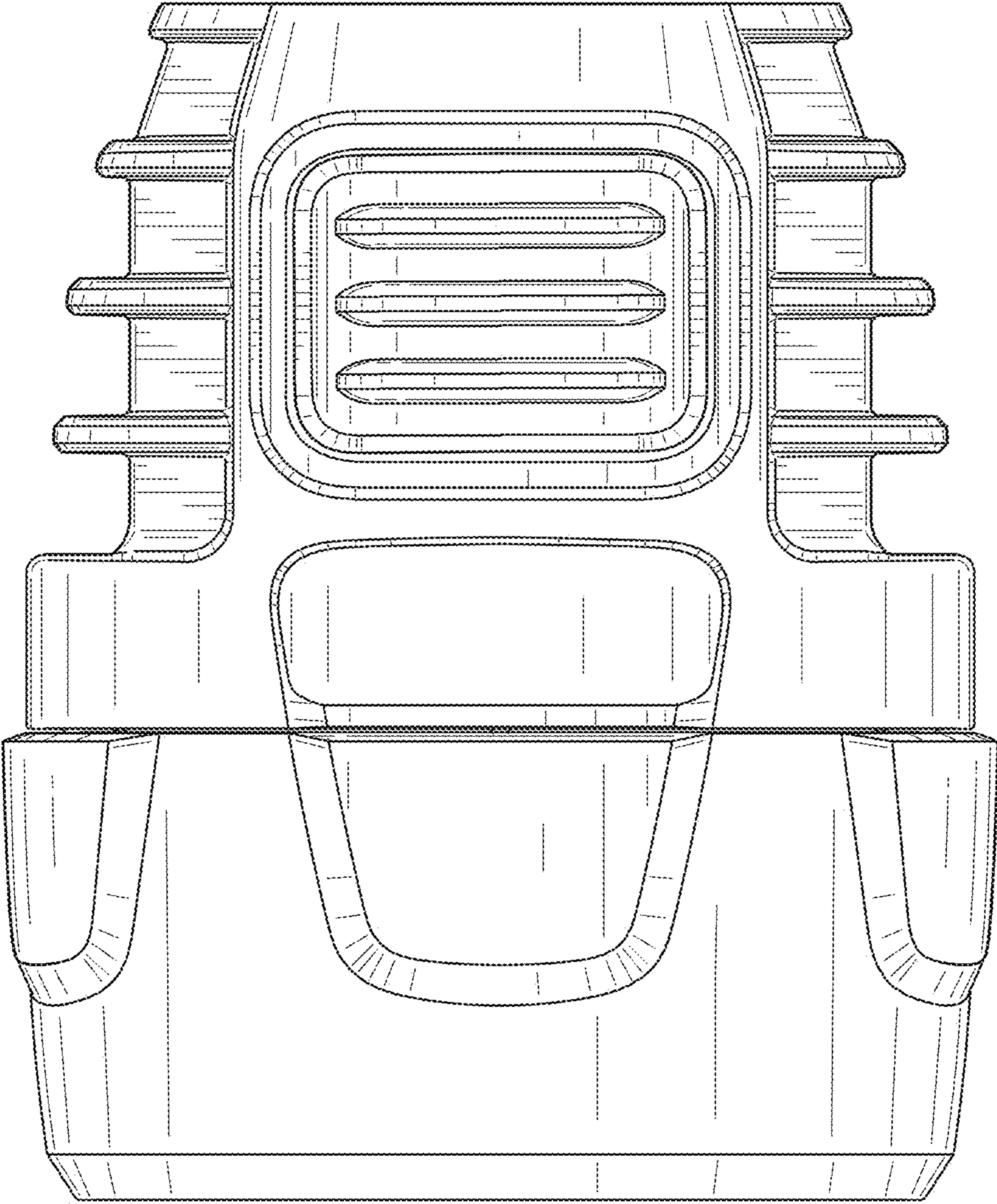


FIG. 3

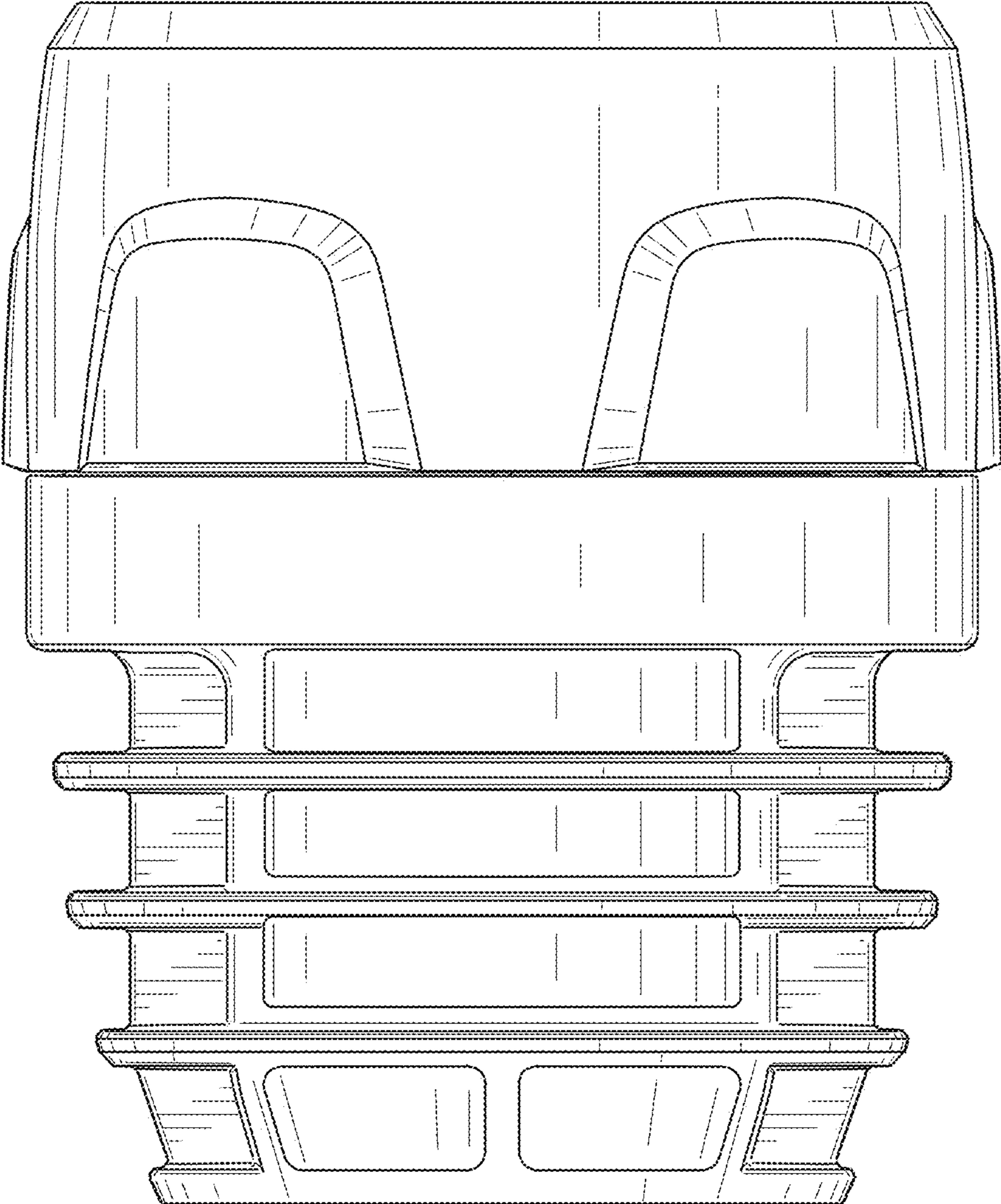


FIG. 4

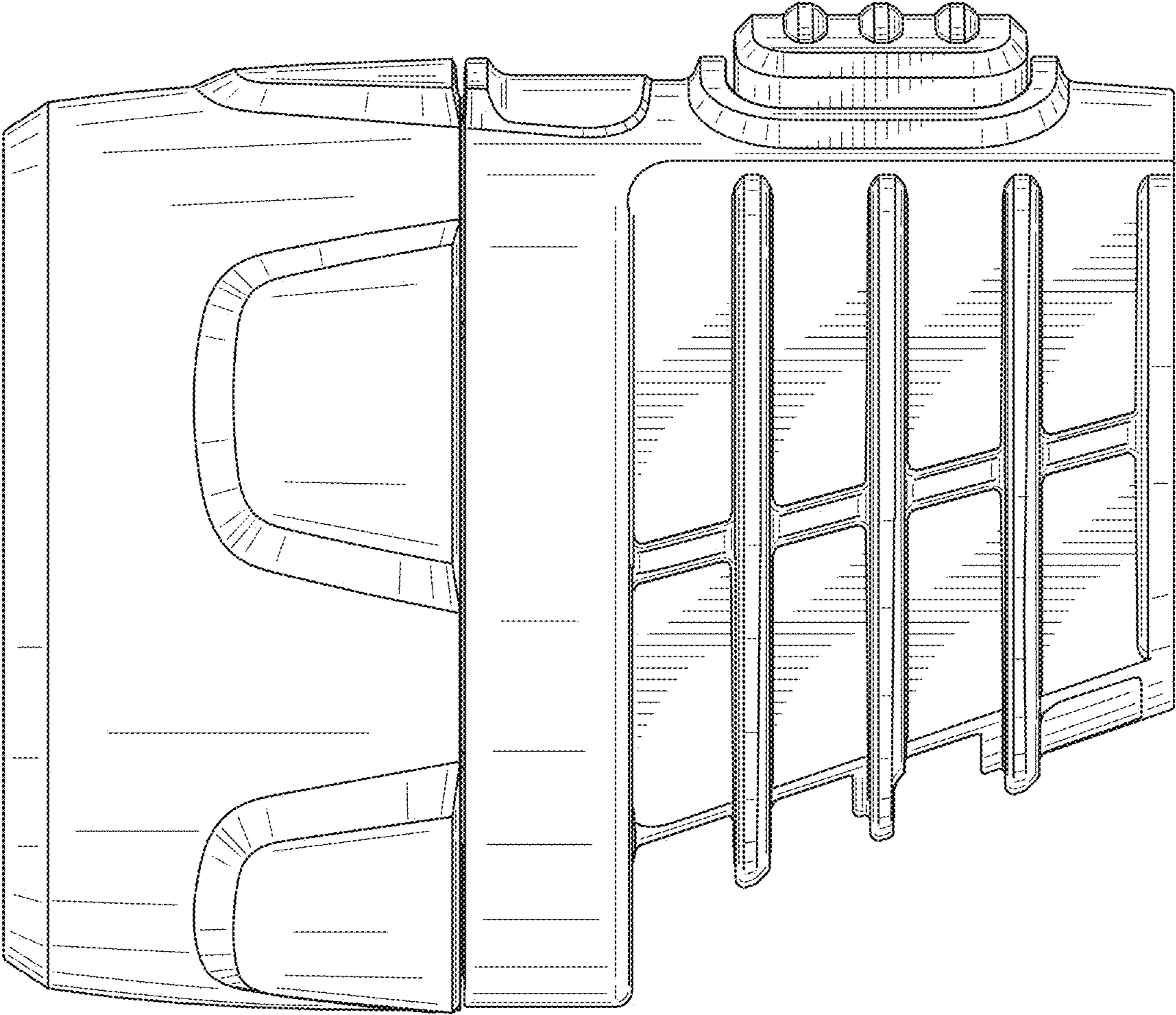


FIG. 5

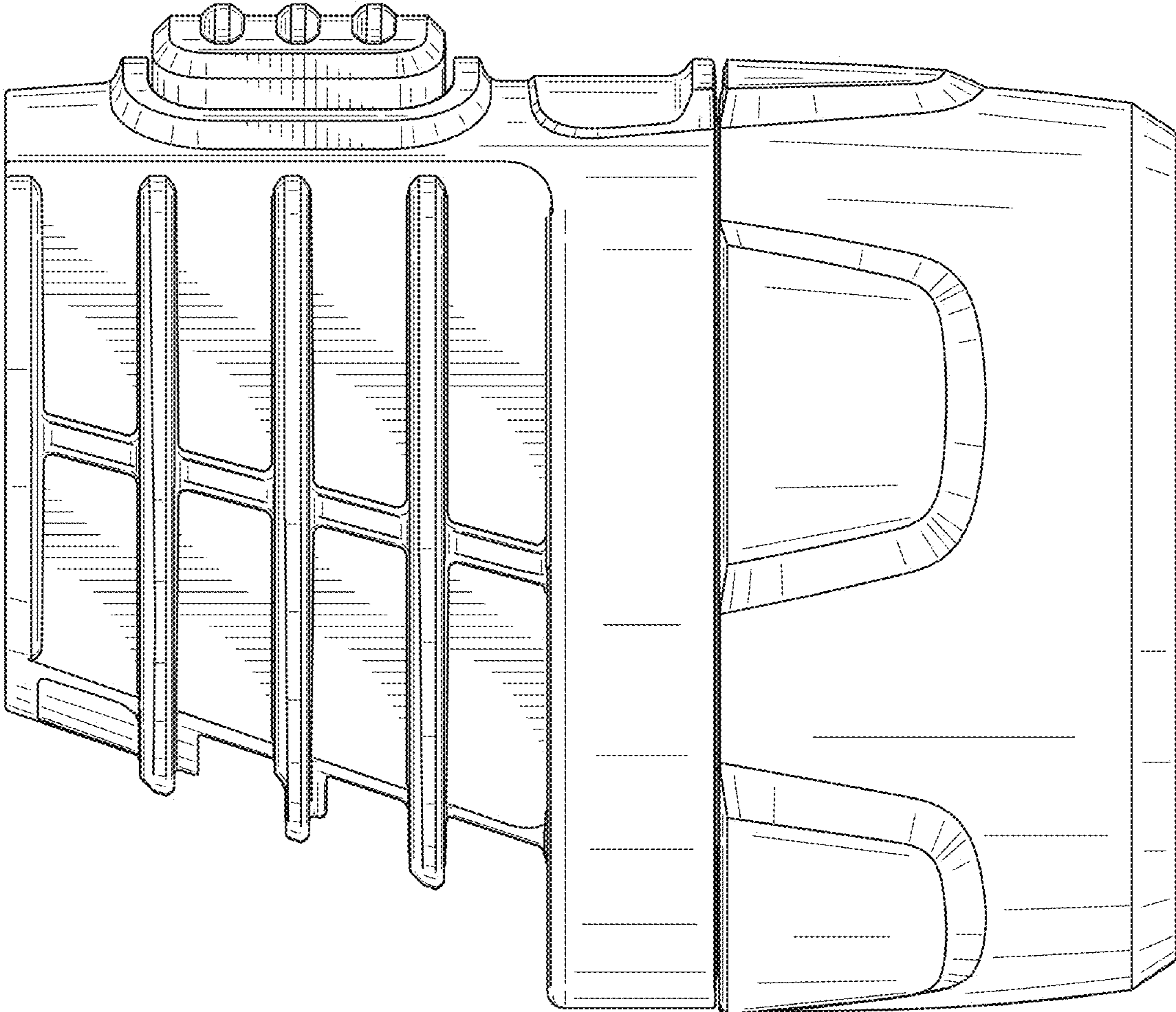


FIG. 6



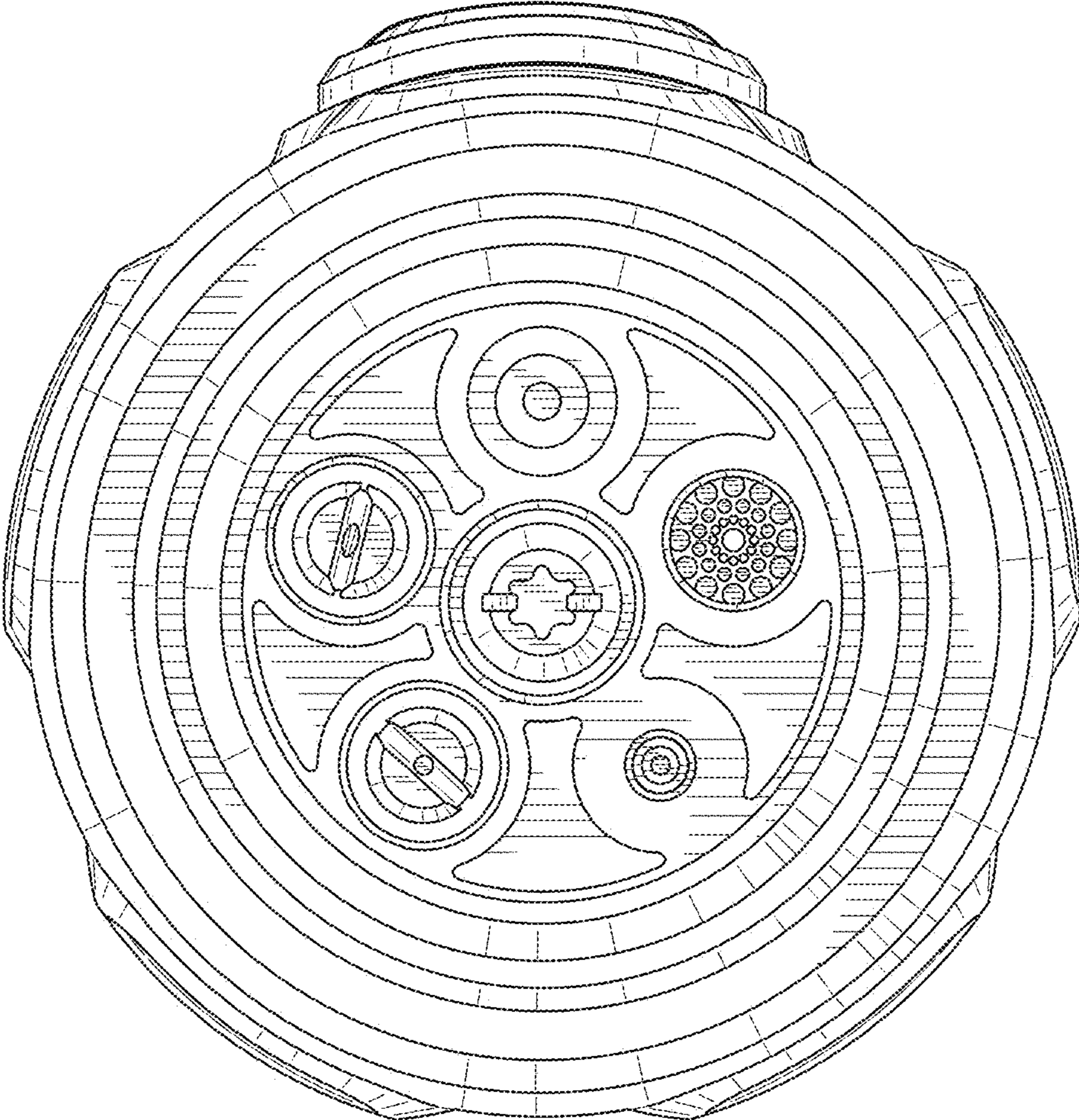


FIG. 7

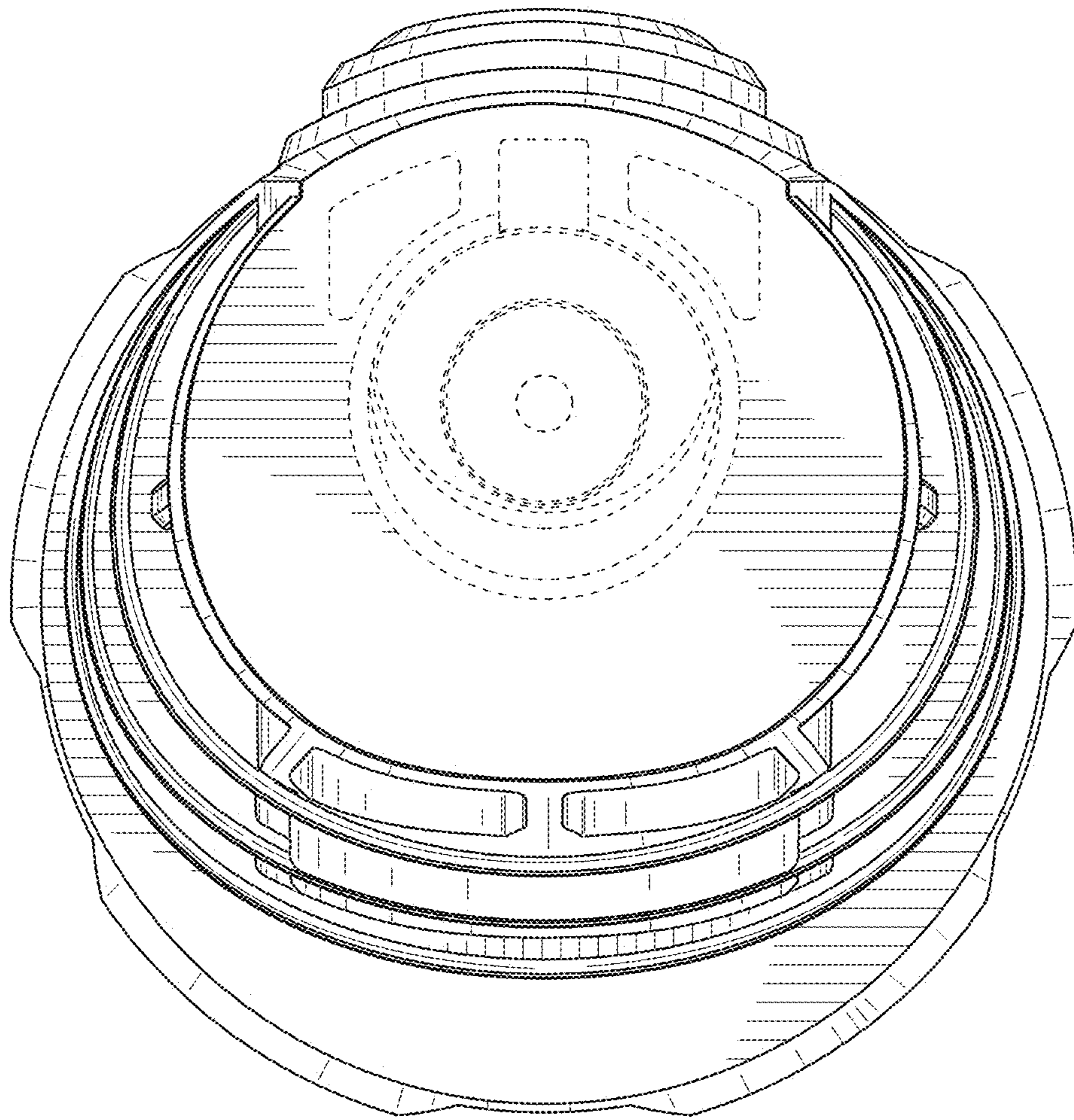


FIG. 8