



US00D883429S

(12) **United States Design Patent** (10) **Patent No.:** **US D883,429 S**  
**Zou** (45) **Date of Patent:** **\*\* May 5, 2020**

(54) **FILTER UNIT**

(71) Applicant: **Qingdao Ecopure Filter Co., Ltd.**,  
Jimo, Qingdao (CN)

(72) Inventor: **Zhibin Zou**, Qingdao (CN)

(73) Assignee: **Qingdao Ecopure Filter Co., Ltd.**,  
Jimo, Qingdao (CN)

(\*\*) Term: **15 Years**

(21) Appl. No.: **29/643,863**

(22) Filed: **Apr. 12, 2018**

(51) **LOC (12) Cl.** ..... **23-01**

(52) **U.S. Cl.**  
USPC ..... **D23/209**

(58) **Field of Classification Search**  
USPC ..... D23/202, 205, 207, 209, 235, 249, 259,  
D23/262, 313; D9/434, 448, 452, 516,  
D9/549, 682, 685, 688, 690, 738  
CPC ..... B05B 7/0425; E03C 1/08; E03C 1/084;  
E03C 1/086; E03C 2001/026  
See application file for complete search history.

D795,993 S \* 8/2017 Zou ..... D23/207  
D795,995 S \* 8/2017 Zou ..... D23/209  
D795,996 S \* 8/2017 Zou ..... D23/209  
D795,997 S \* 8/2017 Zou ..... D23/209  
D798,997 S \* 10/2017 Zou ..... D23/209  
D813,357 S \* 3/2018 Bryant ..... D23/262  
D820,948 S \* 6/2018 An ..... D23/209  
D822,155 S \* 7/2018 Zou ..... D23/209  
D831,786 S \* 10/2018 Zou ..... D23/209  
D831,788 S \* 10/2018 Zou ..... D23/209  
D835,752 S \* 12/2018 Spiegel ..... D23/209  
D845,433 S \* 4/2019 Zou ..... D23/209  
D854,121 S \* 7/2019 Zou ..... D23/209  
D854,122 S \* 7/2019 An ..... D23/209  
D856,472 S \* 8/2019 Zou ..... D23/209  
D856,473 S \* 8/2019 Zou ..... D23/209  
D856,474 S \* 8/2019 Zou ..... D23/209  
D857,157 S \* 8/2019 Zou ..... D23/209  
D857,158 S \* 8/2019 Zou ..... D23/209

(Continued)

*Primary Examiner* — Manpreet S Matharu  
*Assistant Examiner* — Keith J Wilson  
(74) *Attorney, Agent, or Firm* — Muncy, Geissler, Olds & Lowe, P.C.

(57) **CLAIM**

The ornamental design for a filter unit, as shown and described.

**DESCRIPTION**

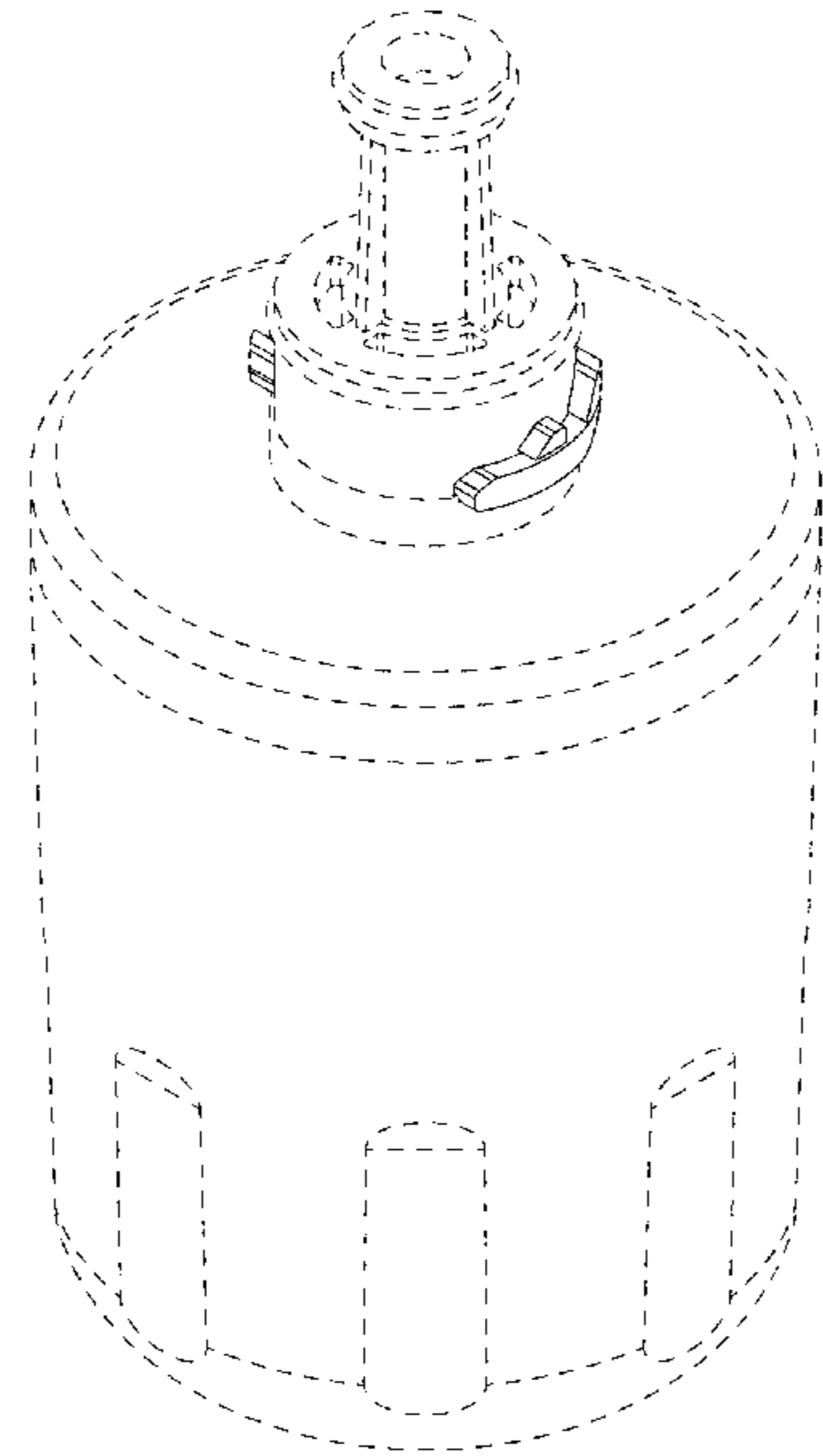
FIG. 1 is a Front elevational view of a filter unit showing my new design;  
FIG. 2 is a Rear elevational view thereof;  
FIG. 3 is a Left side view thereof;  
FIG. 4 is a Right side view thereof;  
FIG. 5 is a Top plan view thereof;  
FIG. 6 is a Bottom plan view thereof; and,  
FIG. 7 is a Perspective views thereof.  
The broken lines in the drawing depict portions of the filter unit that form no part of the claimed design.

**1 Claim, 7 Drawing Sheets**

(56) **References Cited**

U.S. PATENT DOCUMENTS

D455,814 S \* 4/2002 Magnusson ..... D23/209  
D470,771 S \* 2/2003 Weber ..... D9/521  
D547,821 S \* 7/2007 Kennedy ..... D23/207  
D547,822 S \* 7/2007 Kennedy ..... D23/207  
7,708,148 B2 \* 5/2010 Fritze ..... B01D 35/30  
210/435  
8,246,883 B2 \* 8/2012 Bassett ..... B01D 35/30  
210/312  
D750,739 S \* 3/2016 Baird ..... D23/209  
D752,707 S \* 3/2016 Huda ..... D23/209  
D764,021 S \* 8/2016 Lu ..... D23/209  
D772,602 S \* 11/2016 Indruk ..... D6/542  
D780,584 S \* 3/2017 Lang ..... D9/516



(56)

**References Cited**

U.S. PATENT DOCUMENTS

D858,691 S	*	9/2019	Zou .....	D23/209
D858,692 S	*	9/2019	Zou .....	D23/209
D858,693 S	*	9/2019	Zou .....	D23/209
D858,694 S	*	9/2019	Zou .....	D23/209

\* cited by examiner

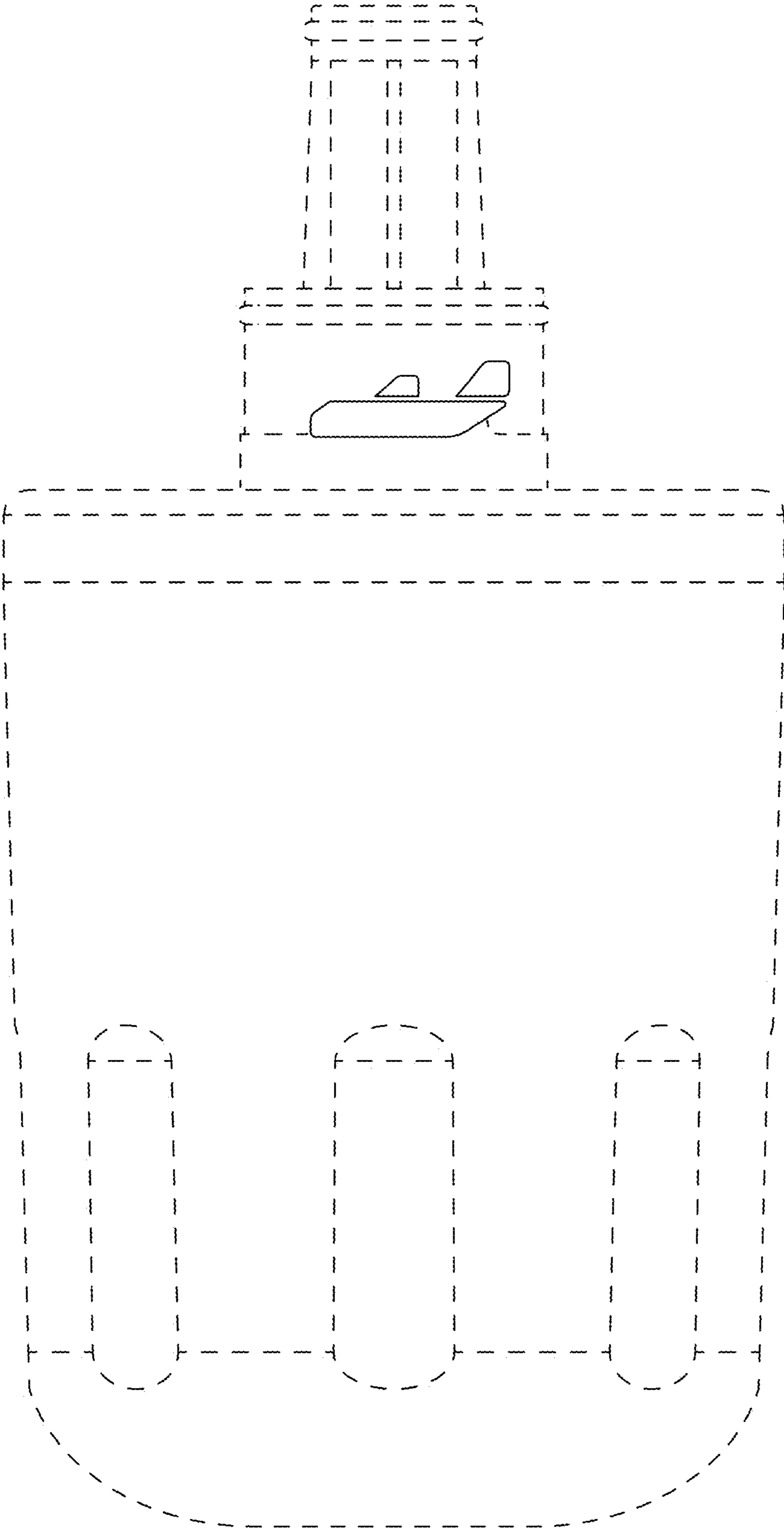


FIG. 1

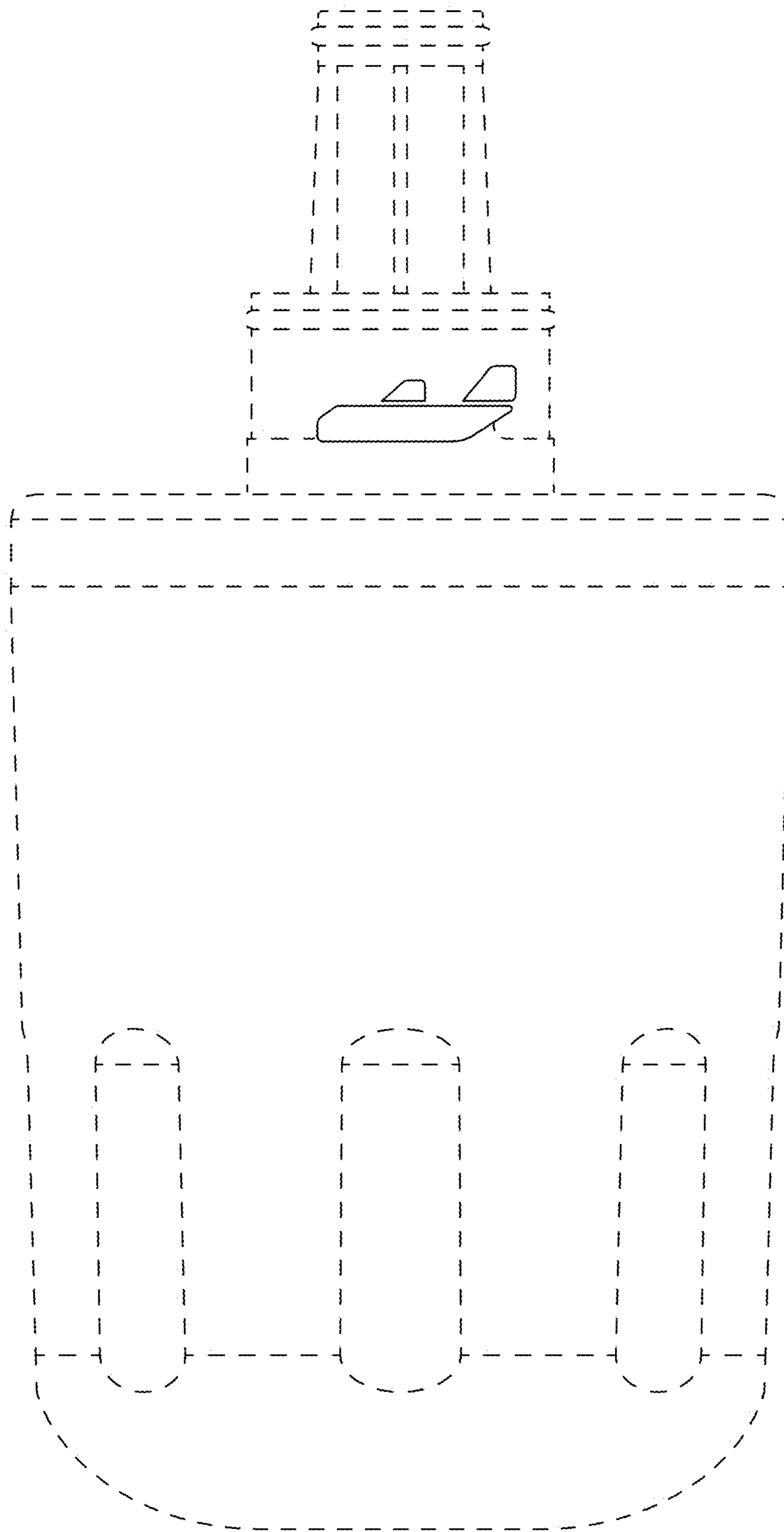


FIG. 2

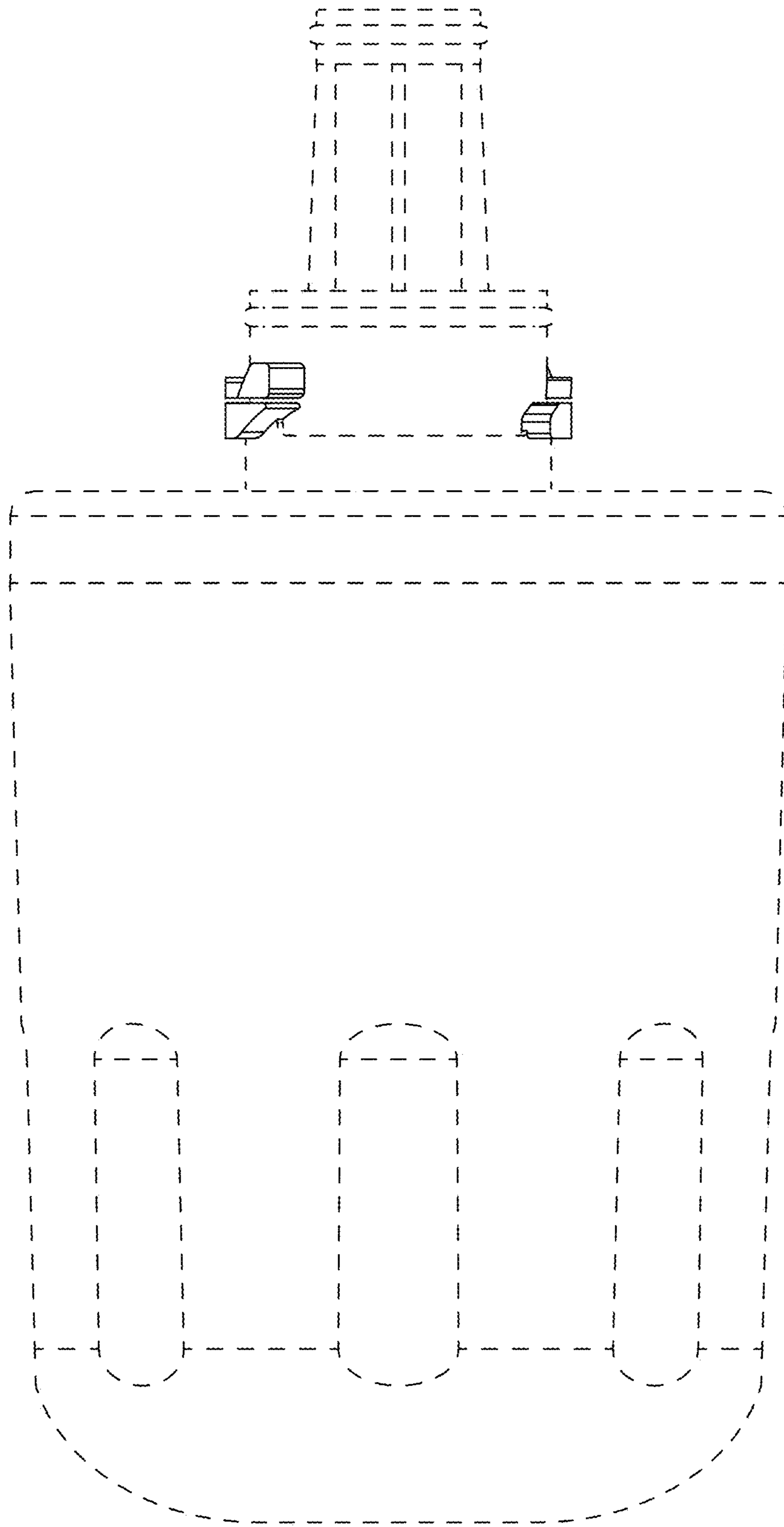


FIG. 3

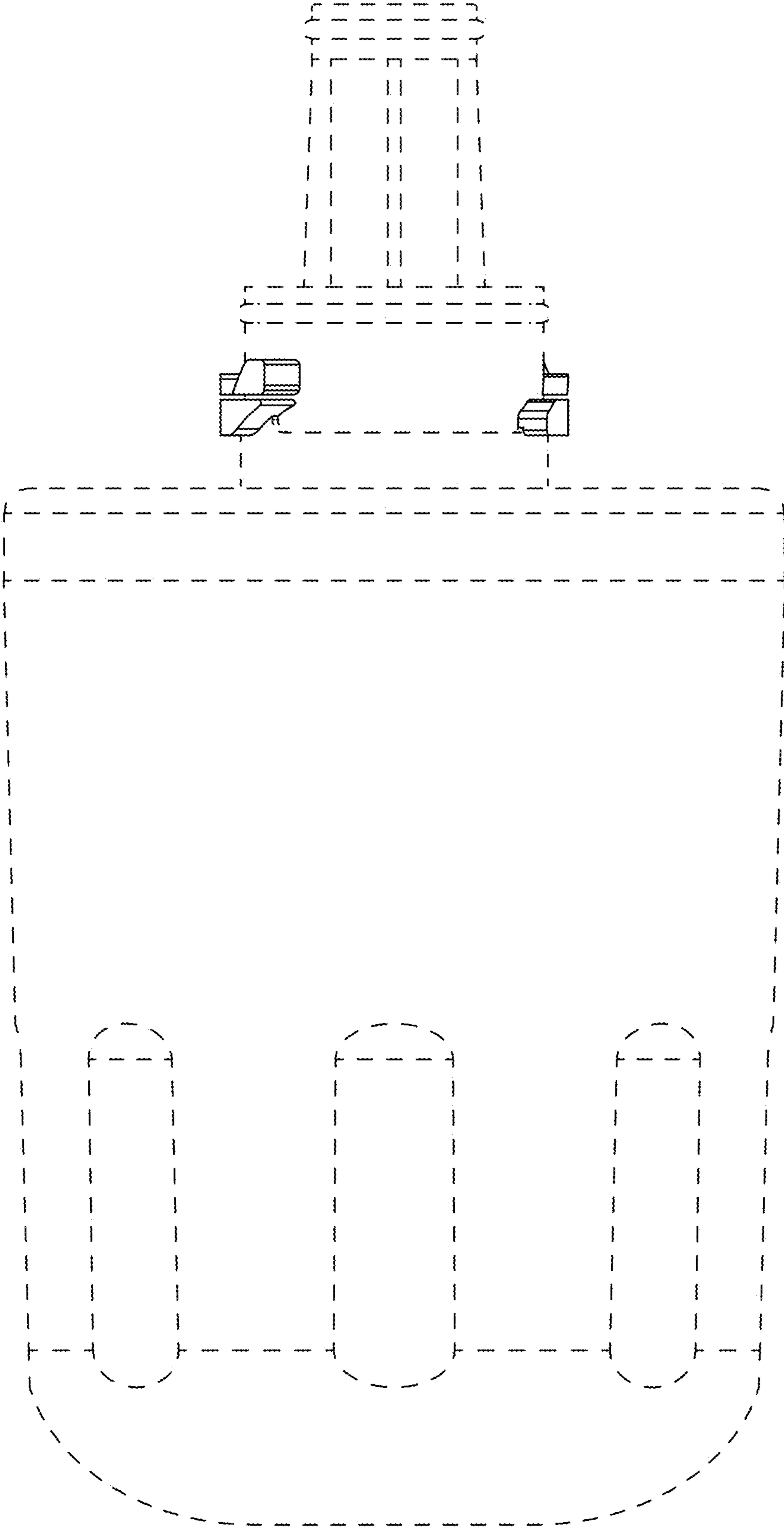


FIG. 4

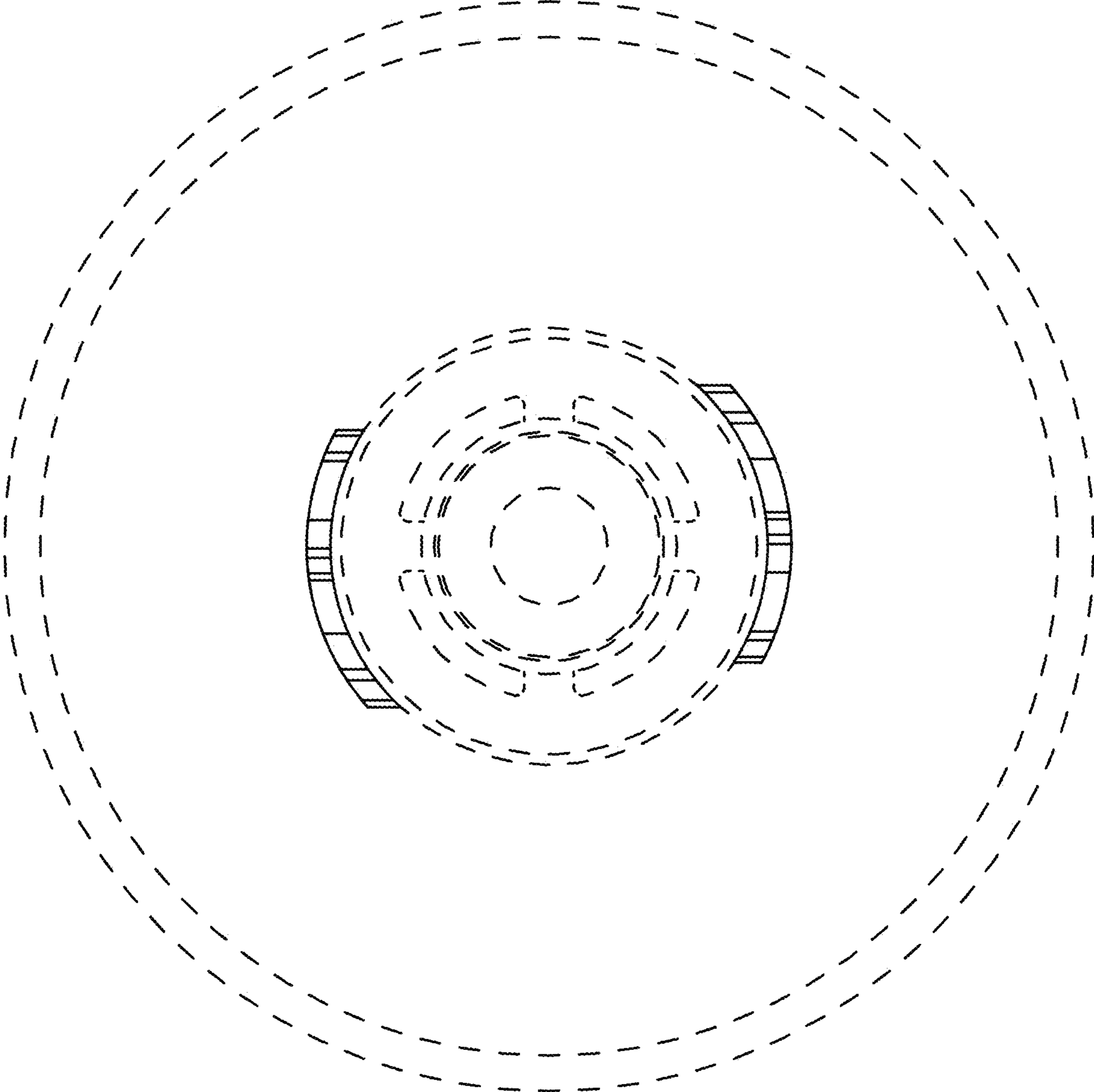


FIG. 5

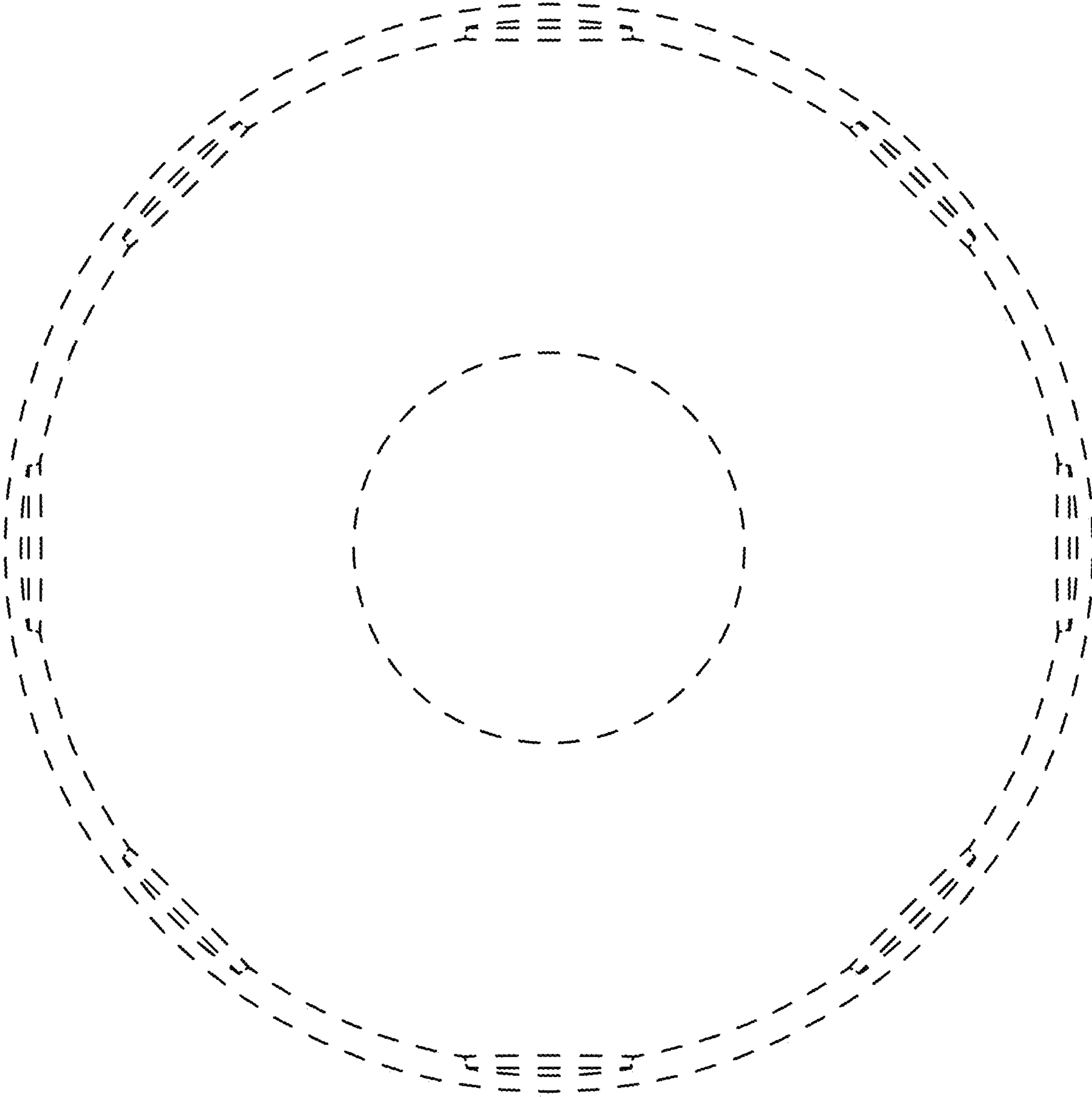


FIG. 6



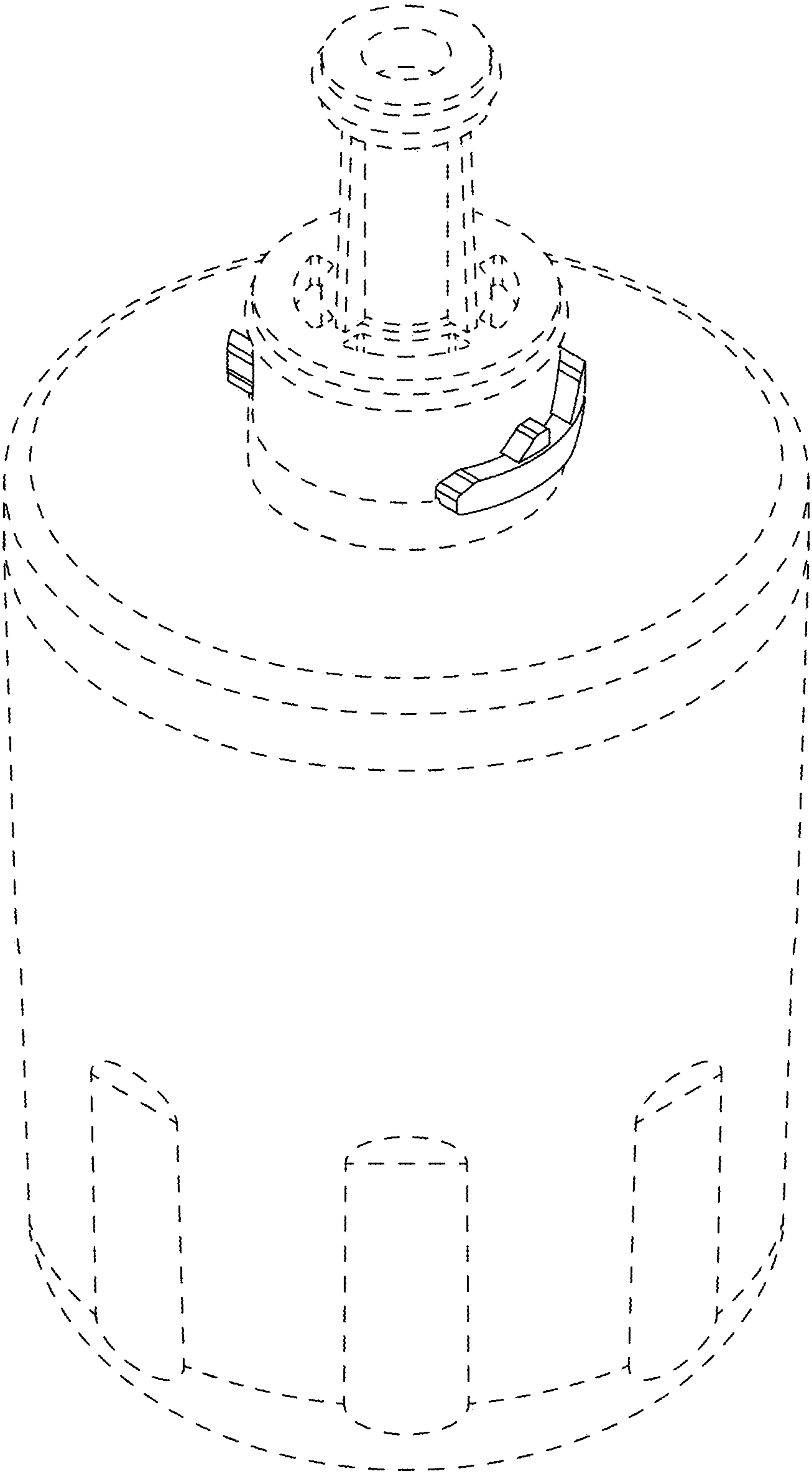


FIG. 7