



US00D883426S

(12) **United States Design Patent**  
**Lu**

(10) **Patent No.:** **US D883,426 S**  
(45) **Date of Patent:** **\*\* May 5, 2020**

- (54) **REFRIGERATOR FILTER**
- (71) Applicant: **TIANJIN TIANCHUANG BEST PURE ENVIRONMENTAL SCIENCE AND TECHNOLOGY CO., LTD., Tianjin (CN)**
- (72) Inventor: **Ying Lu, Tianjin (CN)**
- (73) Assignee: **TIANJIN TIANCHUANG BEST PURE ENVIRONMENTAL SCIENCE AND TECHNOLOGY CO., LTD., Tianjin (CN)**
- (\*\*) Term: **15 Years**
- (21) Appl. No.: **29/637,848**
- (22) Filed: **Feb. 22, 2018**
- (30) **Foreign Application Priority Data**  
Jan. 22, 2018 (CN) ..... 2018 30 0285344
- (51) **LOC (12) Cl.** ..... **23-01**
- (52) **U.S. Cl.**  
USPC ..... **D23/209**
- (58) **Field of Classification Search**  
USPC ..... D23/207, 209, 228  
CPC ..... B05B 1/18; C02F 1/003; B01D 24/10;  
B01D 35/30; B01D 35/153; B01D 27/08;  
B01D 2201/30; B01D 2201/29  
See application file for complete search history.
- (56) **References Cited**  
**U.S. PATENT DOCUMENTS**  
6,325,929 B1 \* 12/2001 Bassett ..... B01D 61/18  
210/238  
D547,822 S \* 7/2007 Kennedy ..... B01D 35/30  
D23/207

- 8,246,883 B2 \* 8/2012 Bassett ..... B01D 35/30  
210/312
- 8,354,024 B2 \* 1/2013 Ihle ..... B01D 35/30  
210/238
- D752,707 S \* 3/2016 Huda ..... D23/209
- D762,812 S \* 8/2016 Branscomb ..... D23/209
- D776,237 S \* 1/2017 Dong ..... D23/207
- D820,948 S \* 6/2018 An ..... D23/209
- D835,752 S \* 12/2018 Spiegel ..... D23/209

\* cited by examiner

*Primary Examiner* — Robin V Webster

(74) *Attorney, Agent, or Firm* — Yanling Jiang; JiangIP LLC

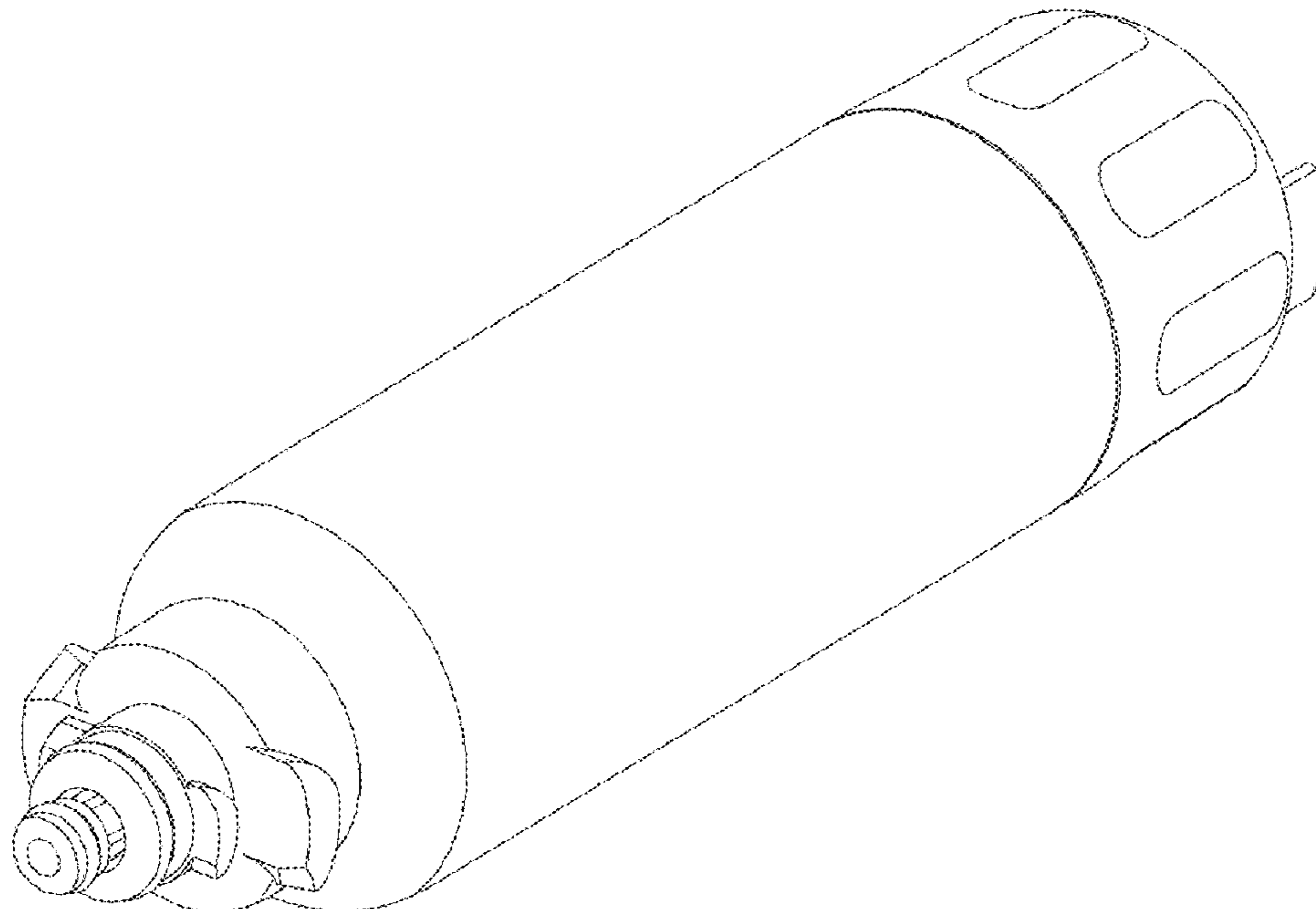
(57) **CLAIM**

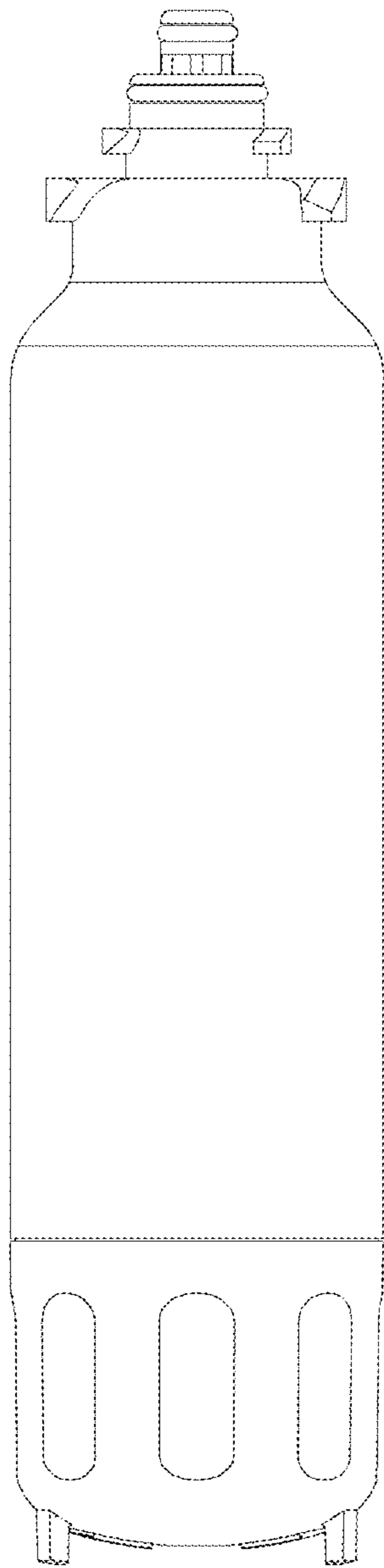
The ornamental design for refrigerator filter, as shown and described.

**DESCRIPTION**

FIG. 1 is a front view of a refrigerator filter showing my new design;  
 FIG. 2 is a rear view thereof;  
 FIG. 3 is a top view thereof;  
 FIG. 4 is an enlarged top view thereof;  
 FIG. 5 is a bottom view thereof;  
 FIG. 6 is an enlarged bottom view thereof;  
 FIG. 7 is a left side view thereof;  
 FIG. 8 is a right side view thereof; and,  
 FIG. 9 is a perspective view thereof.

**1 Claim, 7 Drawing Sheets**





**Fig. 1**

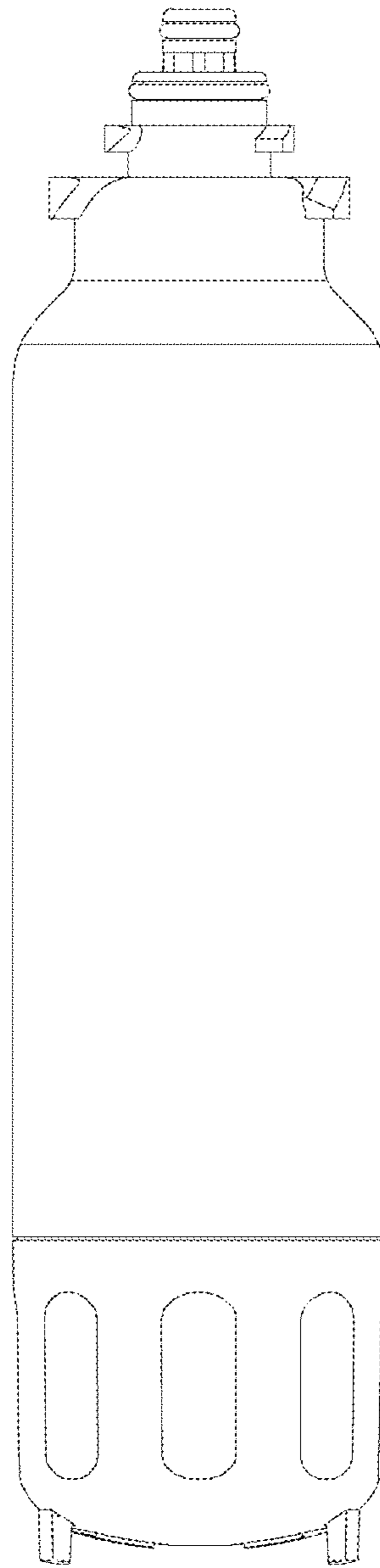
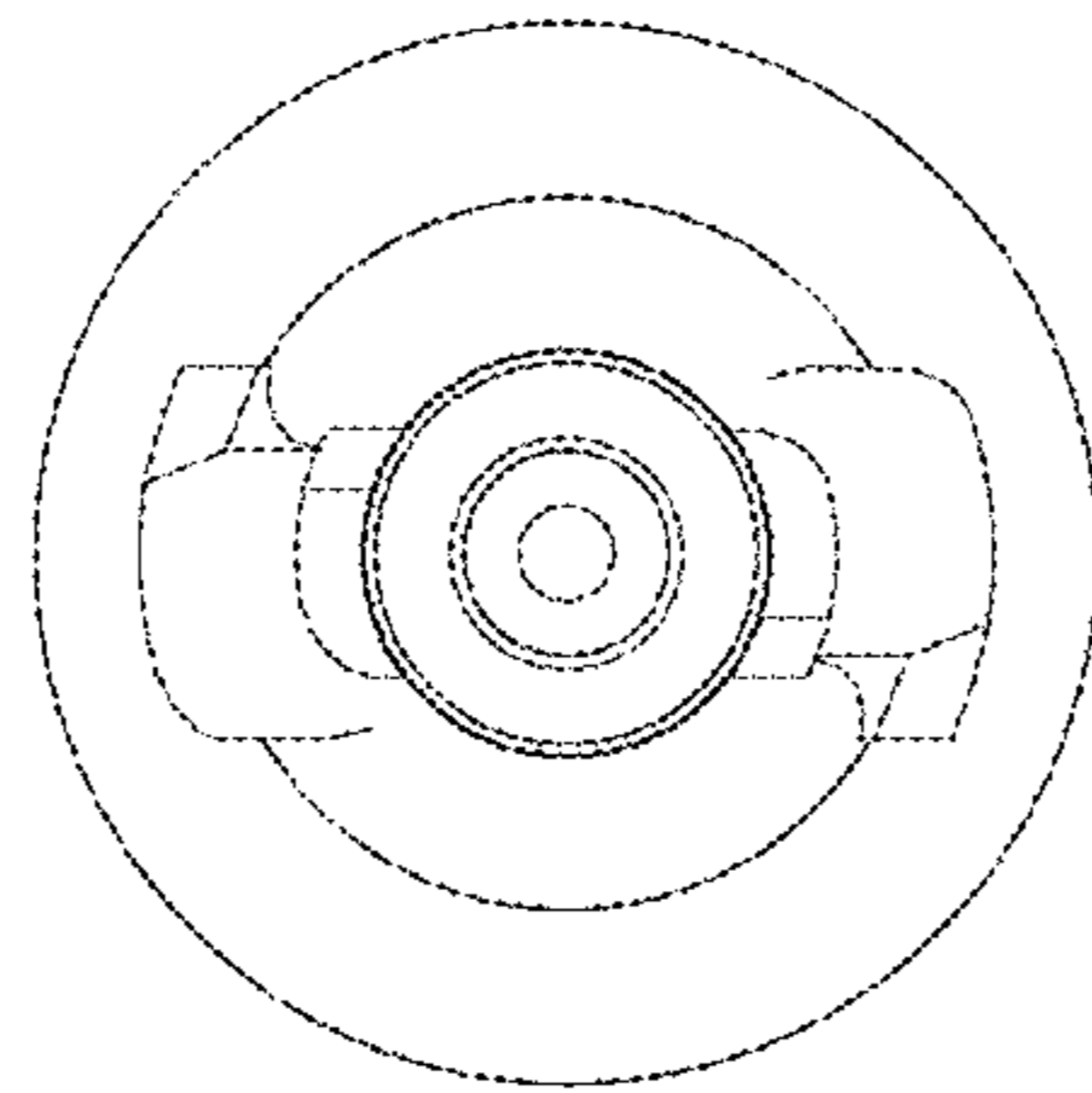
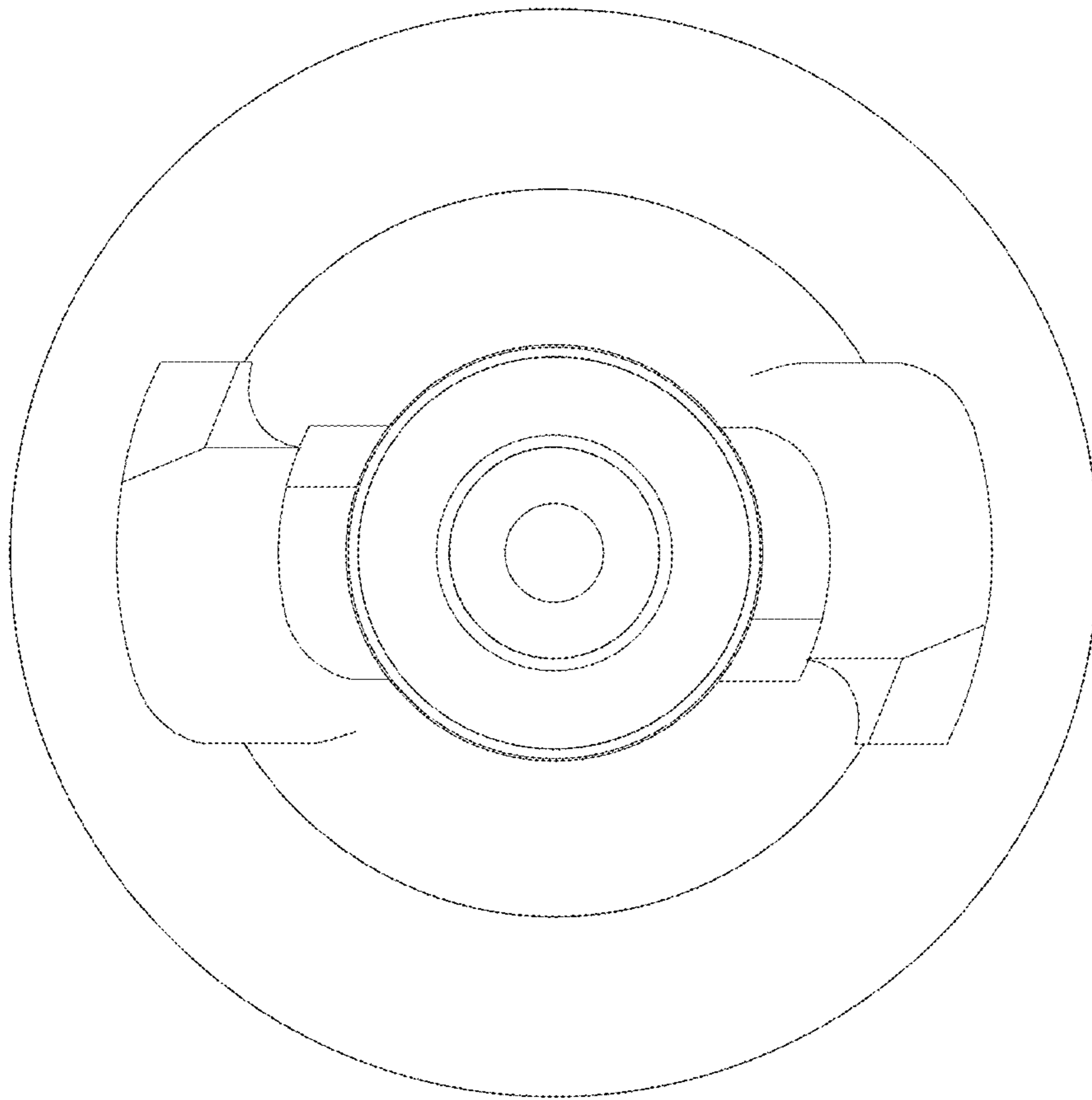


Fig. 2



**Fig. 3**



**Fig. 4**

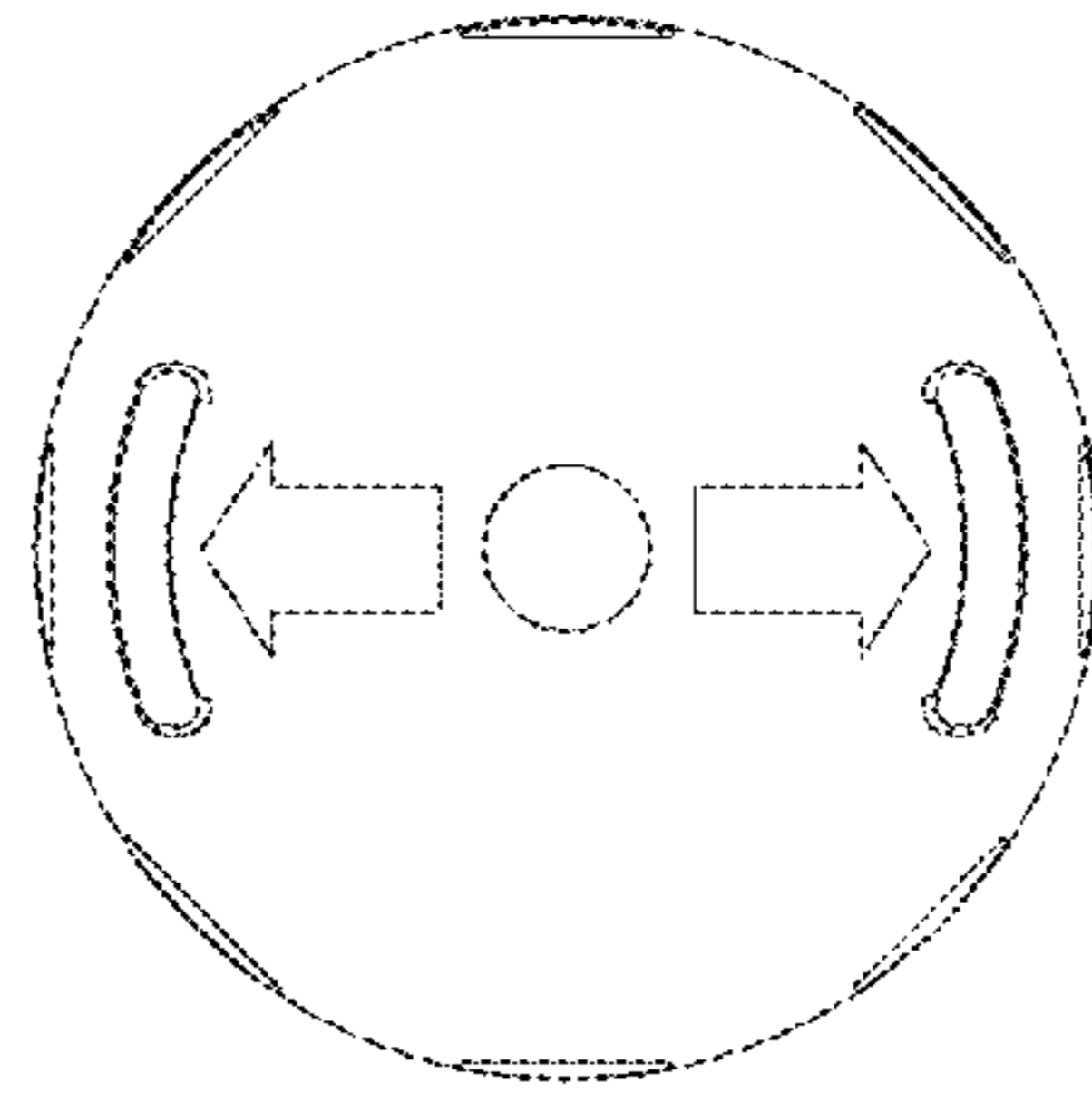


Fig. 5

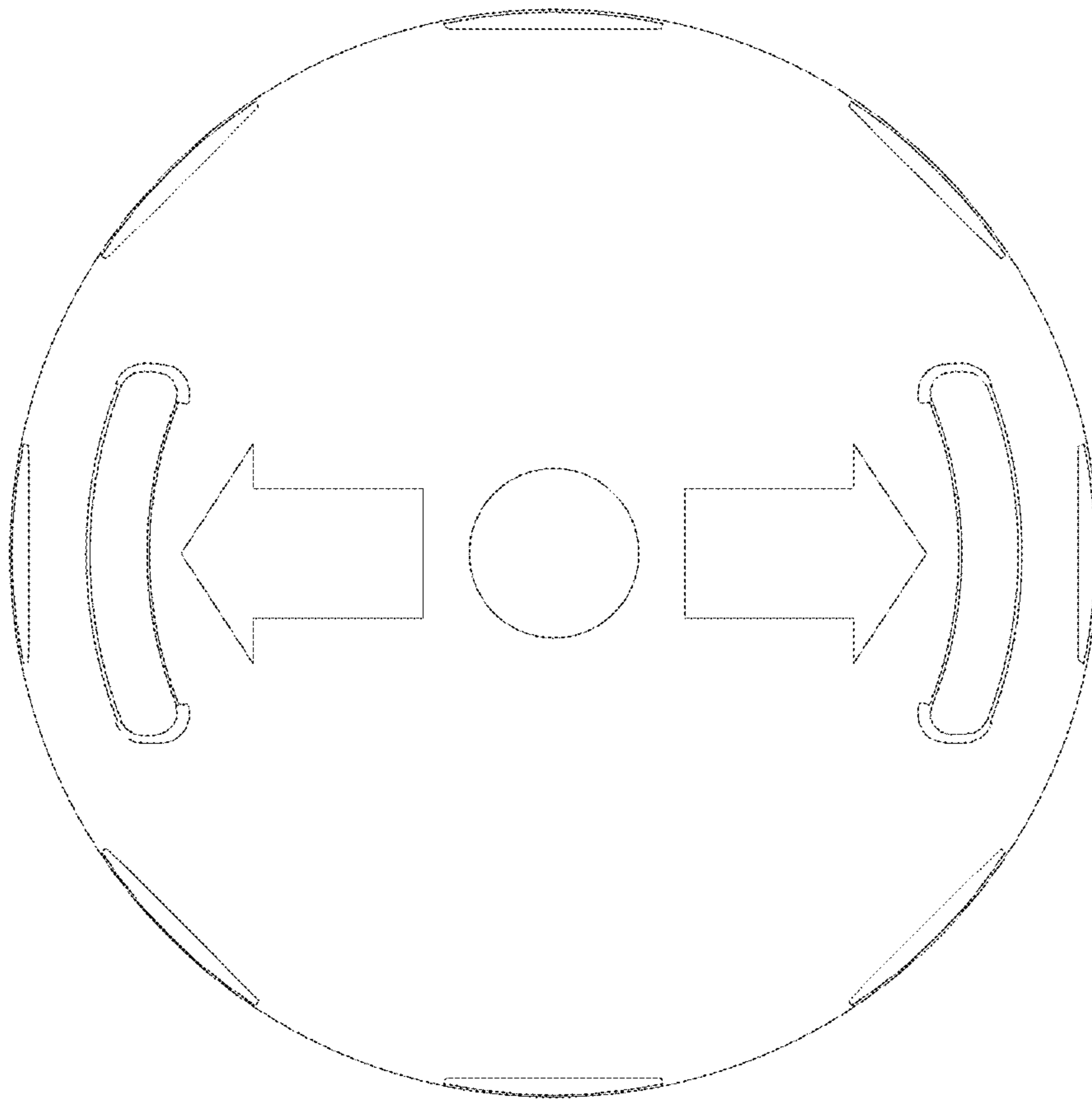


Fig. 6



Fig. 7

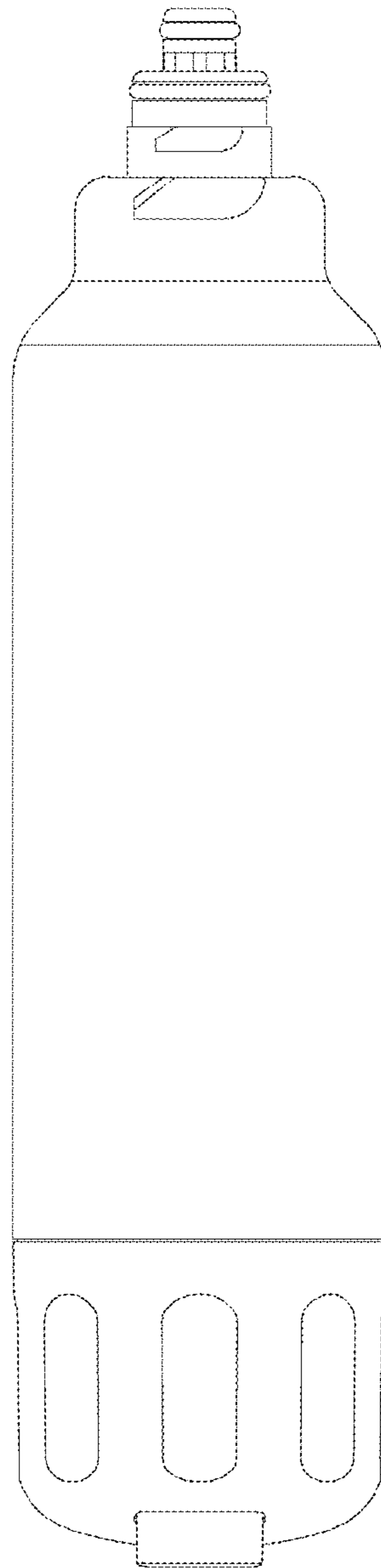
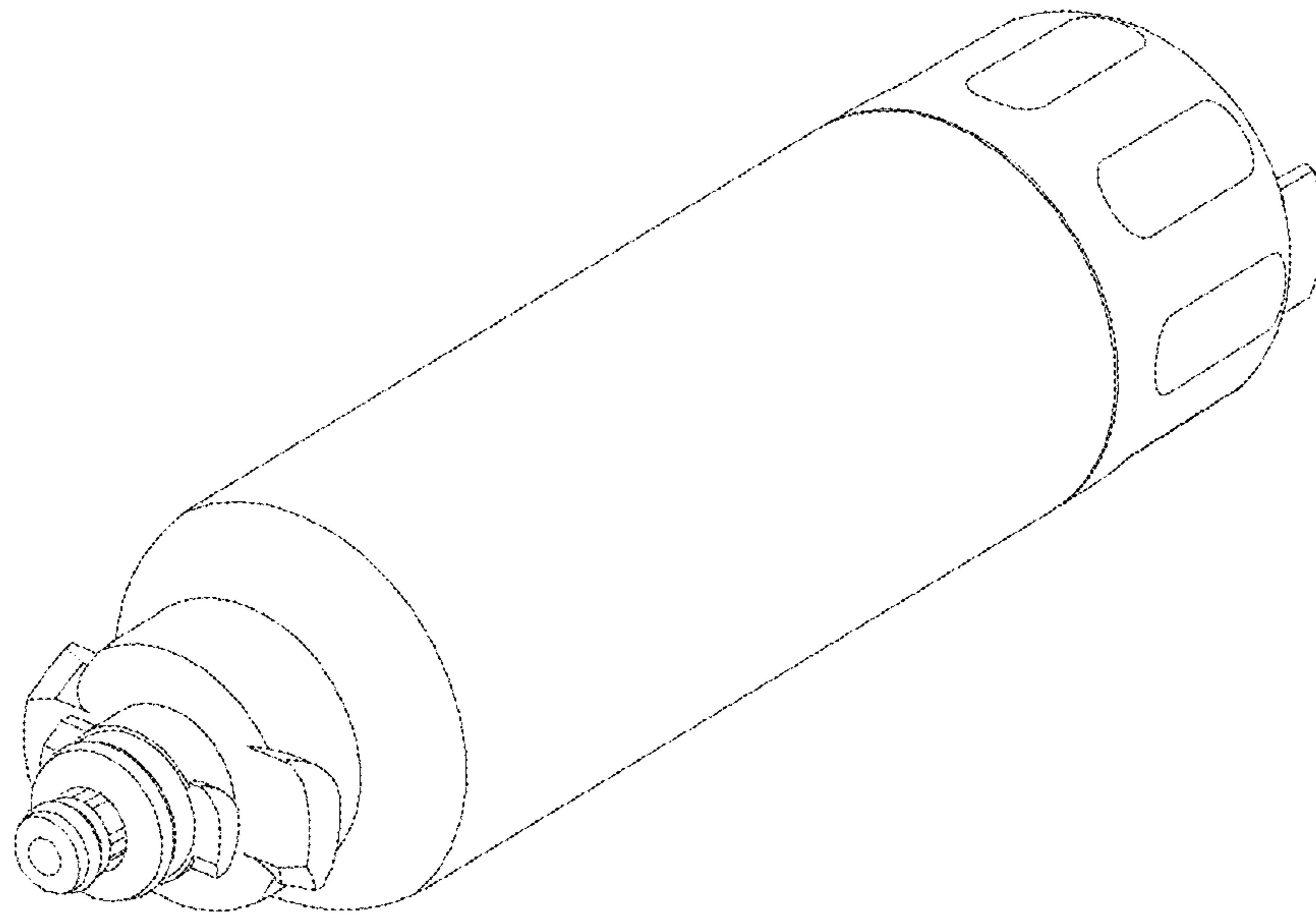


Fig. 8



**Fig. 9**