



US00D883423S

(12) **United States Design Patent**
Shelton et al.

(10) **Patent No.:** **US D883,423 S**

(45) **Date of Patent:** **** May 5, 2020**

- (54) **SIGHT FOR A FIREARM**
- (71) Applicant: **RAILSCALES LLC**, Claremore, OK (US)
- (72) Inventors: **Derek Hunter Shelton**, Claremore, OK (US); **Brent Taylor McGuire**, Depew, OK (US)
- (73) Assignee: **Railscales LLC**, Claremore, OK (US)

- 7,908,782 B1 ‡ 3/2011 LaRue F41G 11/008
42/124
- D635,634 S * 4/2011 Swan D22/109
- 8,015,744 B1 ‡ 9/2011 Swan F41G 1/065
42/133
- D648,413 S ‡ 11/2011 Mayberry D22/109
- D690,778 S ‡ 10/2013 Lee D21/573
- D704,792 S ‡ 5/2014 Fitzpatrick D22/108
- D705,890 S ‡ 5/2014 Fitzpatrick D22/109
- D720,828 S ‡ 1/2015 Faifer D22/108

(Continued)

(**) Term: **15 Years**

(21) Appl. No.: **29/704,772**

(22) Filed: **Sep. 6, 2019**

Related U.S. Application Data

(63) Continuation of application No. 29/649,561, filed on May 31, 2018, now Pat. No. Des. 873,947.

(51) **LOC (12) Cl.** **22-01**

(52) **U.S. Cl.**
USPC **D22/109**

(58) **Field of Classification Search**
 USPC D22/100, 101, 102, 103, 104, 105, 106,
 D22/107, 108, 109, 110, 111, 115, 116,
 D22/199; D21/300, 301, 302, 306, 334,
 D21/335, 443, 571, 573–575, 746
 CPC F41C 23/14; F41C 23/20; F41C 23/04;
 F41C 23/00; F41C 23/10; F41C 27/00;
 F41C 7/00; F41C 23/06; F41C 3/00;
 F41B 5/10; F41B 5/14; F41B 5/0094;
 F41B 5/1469; F41B 5/00

See application file for complete search history.

(56) **References Cited**

U.S. PATENT DOCUMENTS

- 7,356,962 B2 * 4/2008 Swan F41G 1/065
42/133
- D588,228 S * 3/2009 Swan D22/109
- D631,934 S ‡ 2/2011 Daniel D22/109

OTHER PUBLICATIONS

“RailScales LEAF Fixed Iron Sight for ATPIAL / PEQ 15 / LA5—Orbital Grey” [online]. milspecretail.com. [Retrieved Mar. 3, 2020]. Retrieved from the Internet: <<https://milspecretail.com/product/firearm-accessories/sights-optics/iron-sights/railscales-leaf-fixed-iron-sight-for-atpial-peq-15-la5>>.*

(Continued)

Primary Examiner — Khawaja Anwar

Assistant Examiner — Mojtaba Tehrani

(74) *Attorney, Agent, or Firm* — Eversheds Sutherland (US) LLP

(57) **CLAIM**

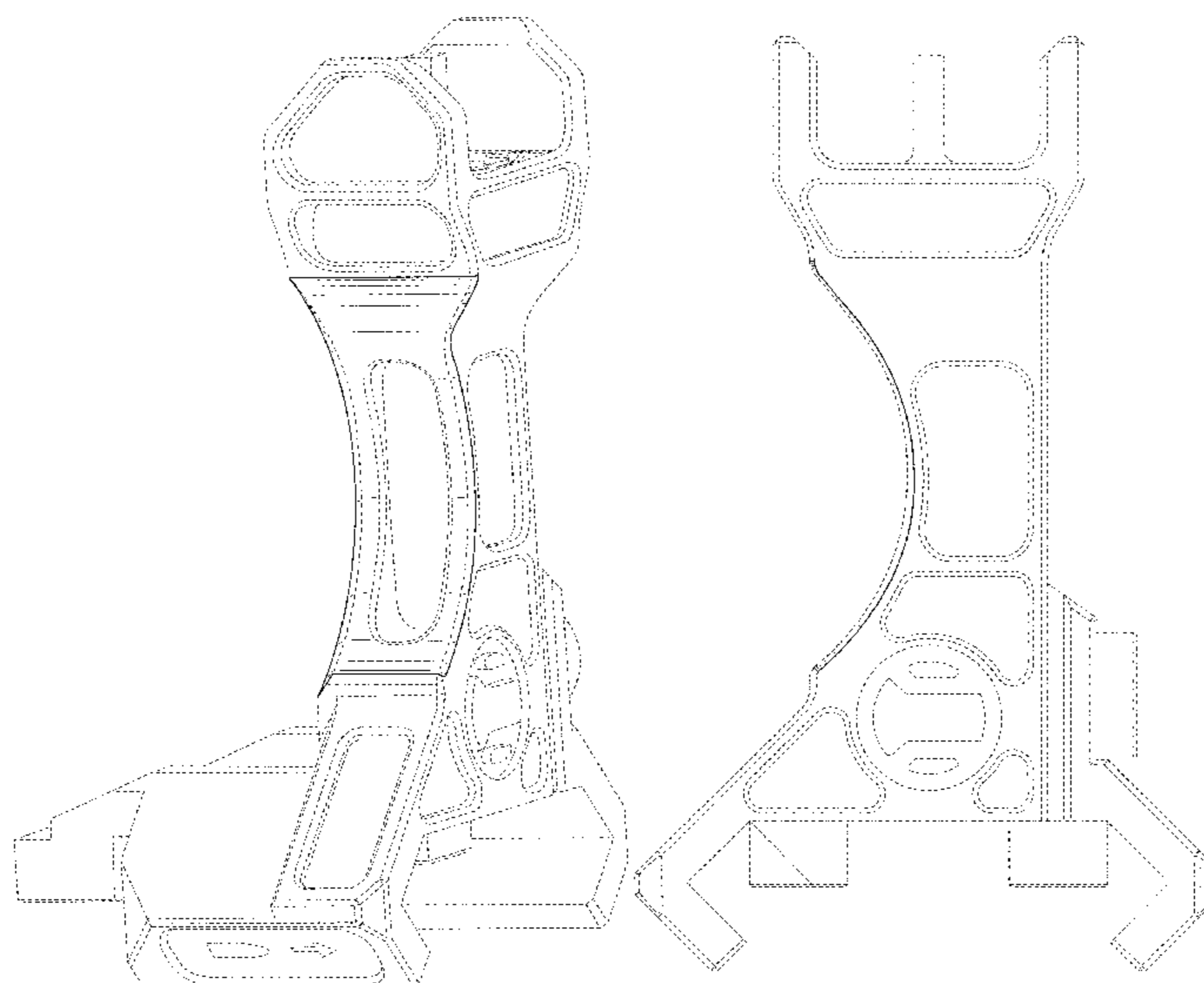
The ornamental design for a sight for a firearm, as shown and described.

DESCRIPTION

FIG. 1 is a perspective view of a sight for a firearm;
 FIG. 2 is a front view thereof;
 FIG. 3 is a rear view thereof;
 FIG. 4 is a first side view thereof;
 FIG. 5 is a second side view thereof;
 FIG. 6 is a bottom view thereof; and,
 FIG. 7 is a top view thereof.

The broken lines are for purposes of illustration only and do not form a part of the claimed designs.

1 Claim, 6 Drawing Sheets



(56)

References Cited

U.S. PATENT DOCUMENTS

D721,156 S ‡ 1/2015 Faifer D22/108
 D728,727 S ‡ 5/2015 Barfoot D22/109
 D728,728 S ‡ 5/2015 Barfoot D22/109
 D736,338 S ‡ 8/2015 Fitzpatrick D22/109
 D736,339 S ‡ 8/2015 Fitzpatrick D22/109
 9,322,615 B2 ‡ 4/2016 Raybman F41G 1/17
 9,448,035 B2 ‡ 9/2016 Wilson F41G 11/003
 9,683,811 B1 * 6/2017 Warensford F41G 1/16
 D807,463 S ‡ 1/2018 Warensford D22/109
 D807,464 S ‡ 1/2018 Warensford D22/109
 D820,921 S ‡ 6/2018 Chu D21/573
 D851,203 S * 6/2019 Ding D22/109
 10,330,437 B2 * 6/2019 Kung F41G 1/033
 D852,920 S * 7/2019 Ding D22/109
 D863,489 S * 10/2019 Ding D22/109

D863,490 S * 10/2019 Ding D22/109
 D873,947 S * 1/2020 Shelton D22/109
 2011/0296734 A1* 12/2011 Troy F41G 1/17
 42/135

OTHER PUBLICATIONS

“LEAF—PEQ” [online]. railscales.us. [Retrieved on Sep. 15, 2019]. Retrieved from the Internet: <https://railscales.us/leaf-peq-iron-sights/>. ‡
 “Midwest Industries PEQ-15 AR Front Sight—Dark Earth” [online]. dsgarms.com. [Retrieved on Sep. 15, 2019]. Retrieved from the Internet: <https://dsgarms.com/iron-sights-mi-peq15-fs-fde/>. ‡
 “[Airsoft Artisan] LF Fixed Iron Sight [Especially for PEQ-15][Tan]” [online]. asiaairsoft.com. [Retrieved on Sep. 15, 2019]. Retrieved from the Internet: http://www.asiaairsoft.com/index_eproduct_view.php?products_id=11580. ‡

* cited by examiner

‡ imported from a related application

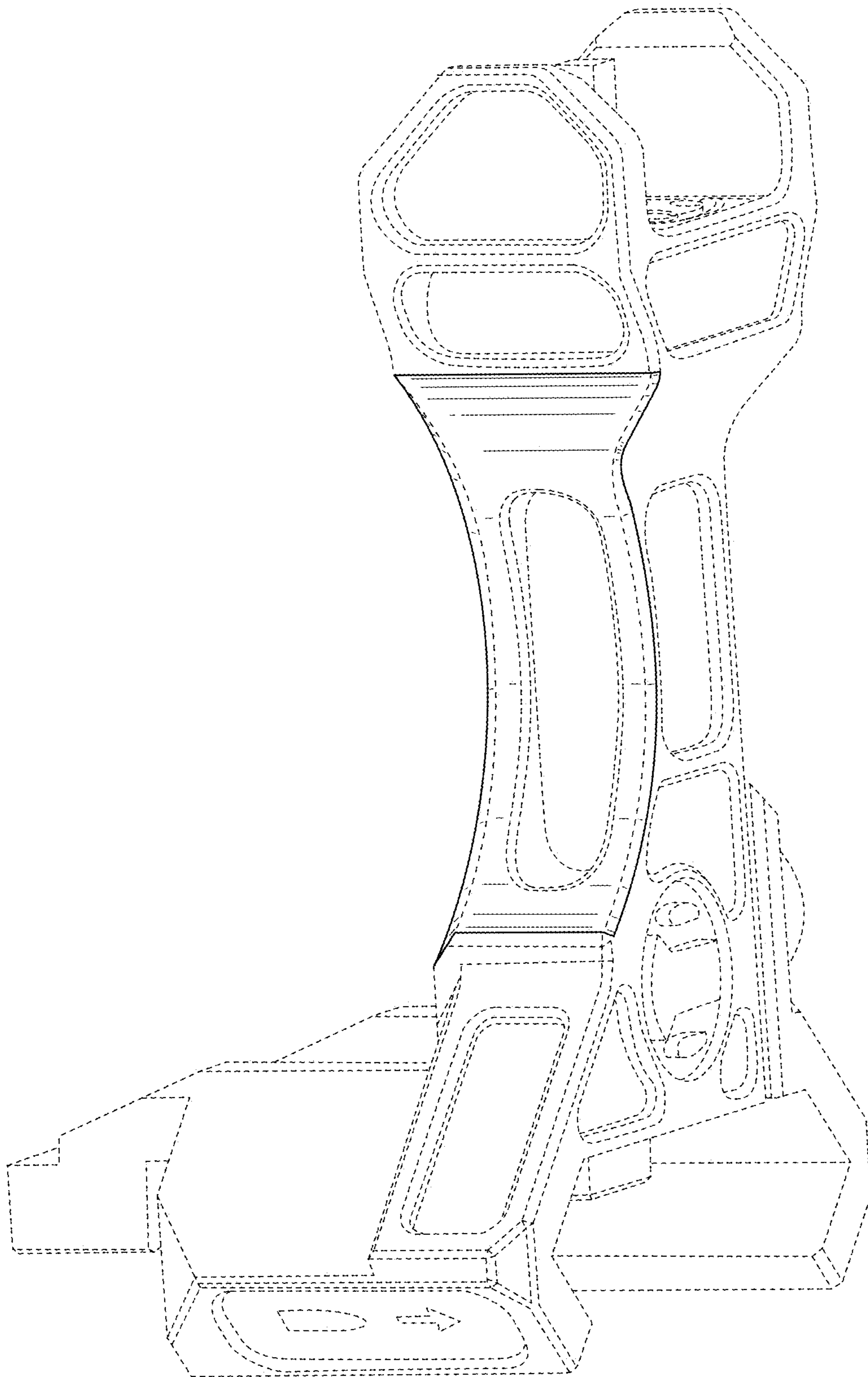


FIG. 1

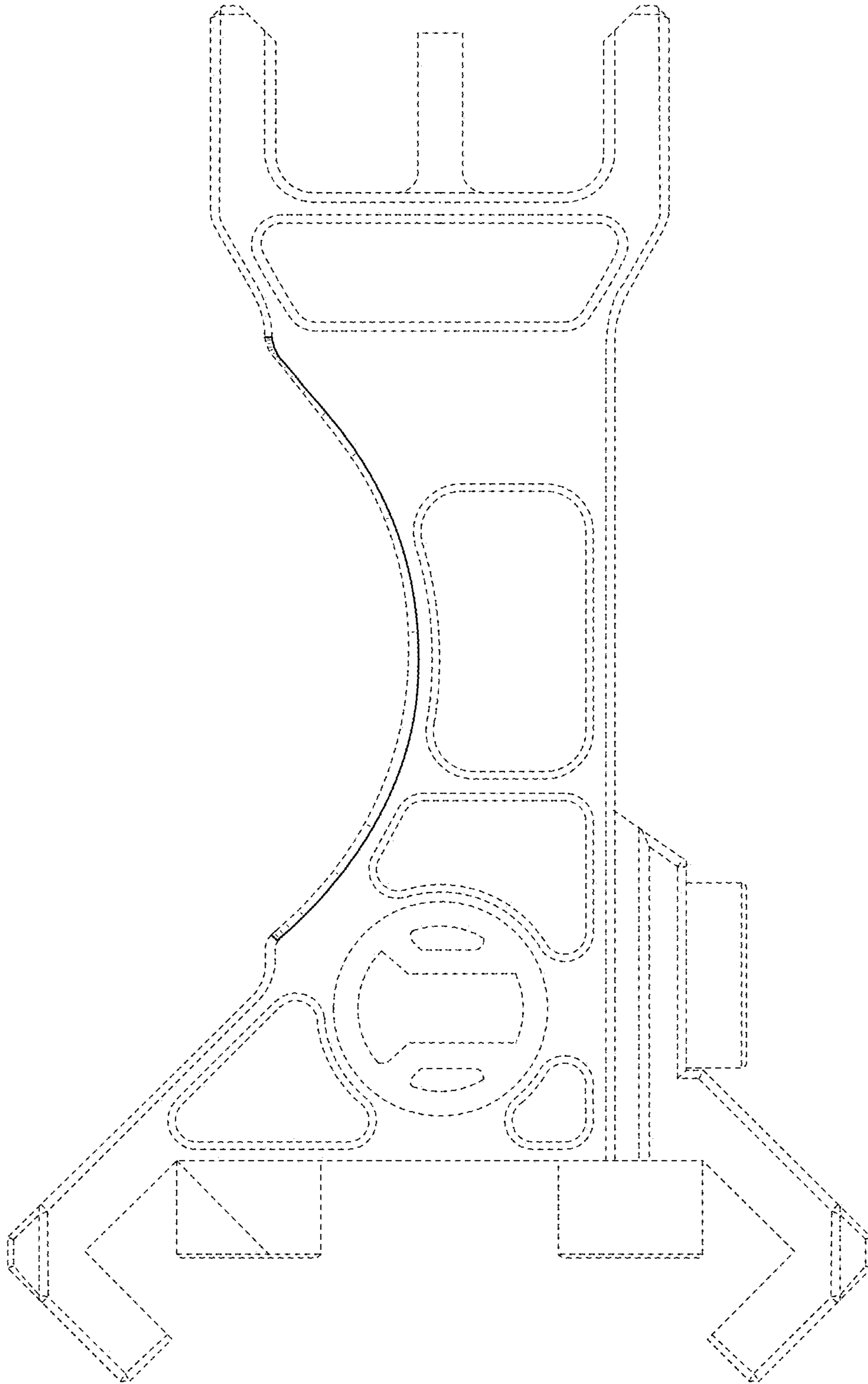


FIG. 2

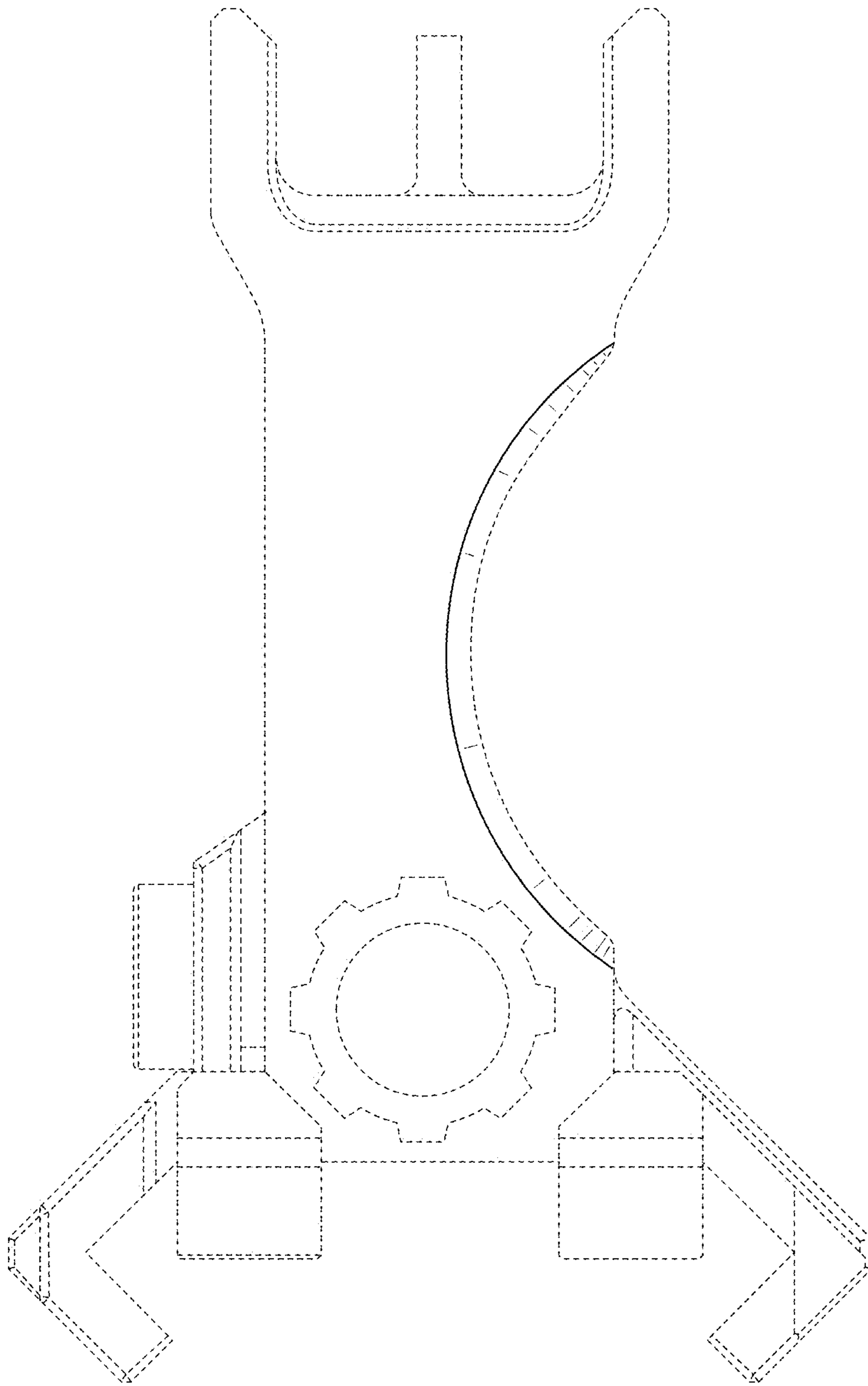


FIG. 3

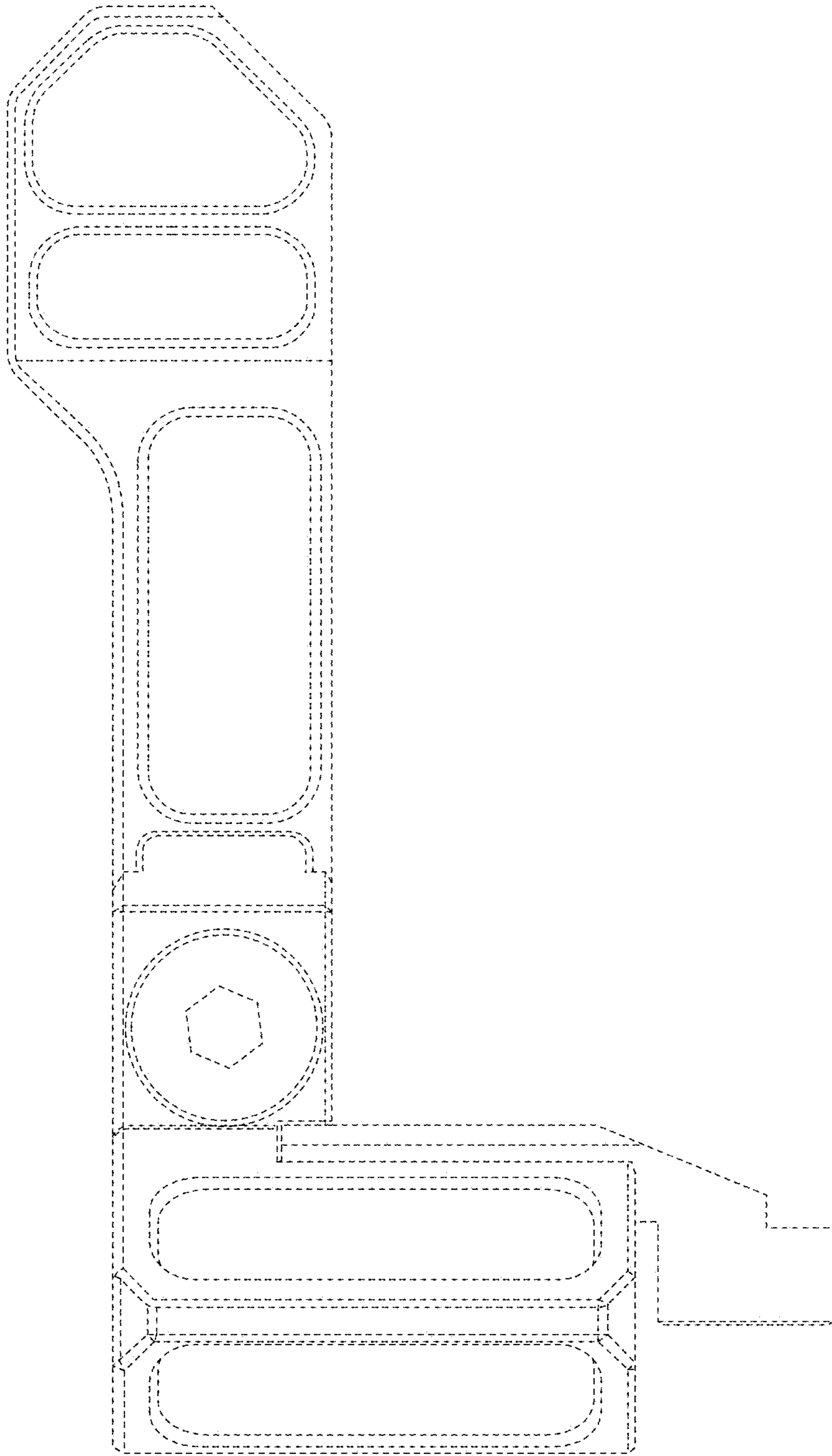


FIG. 4

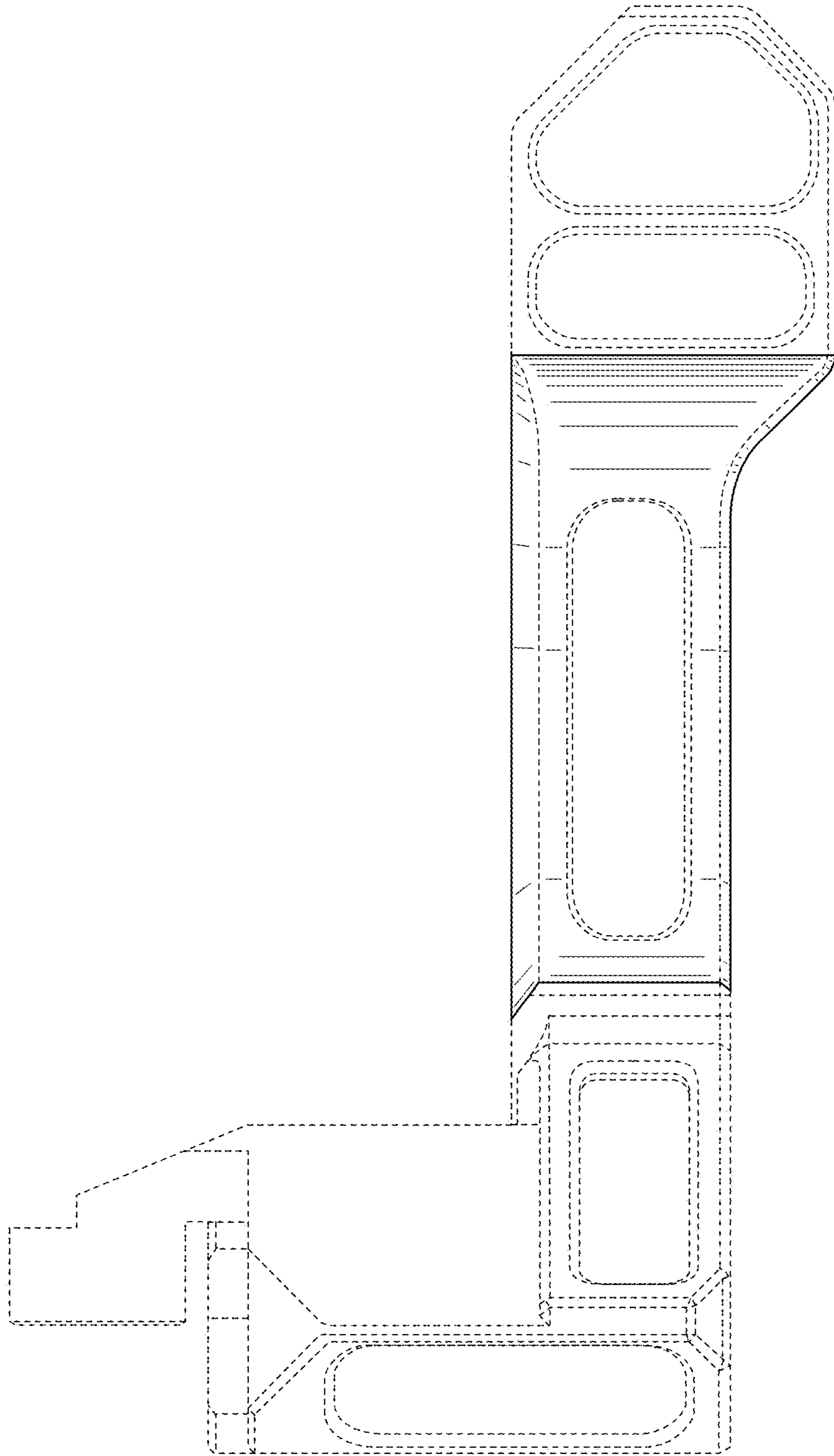


FIG. 5

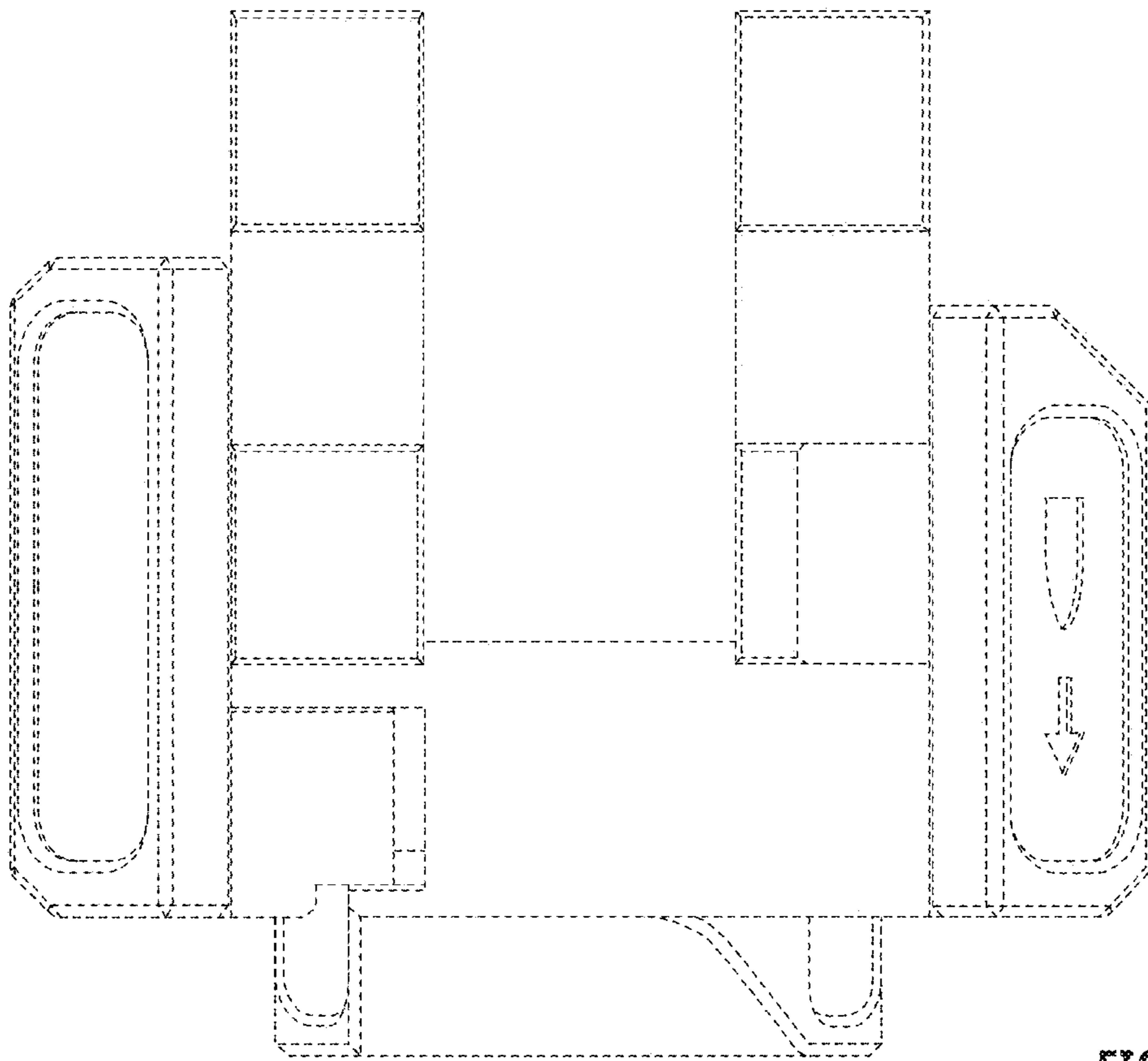


FIG. 6

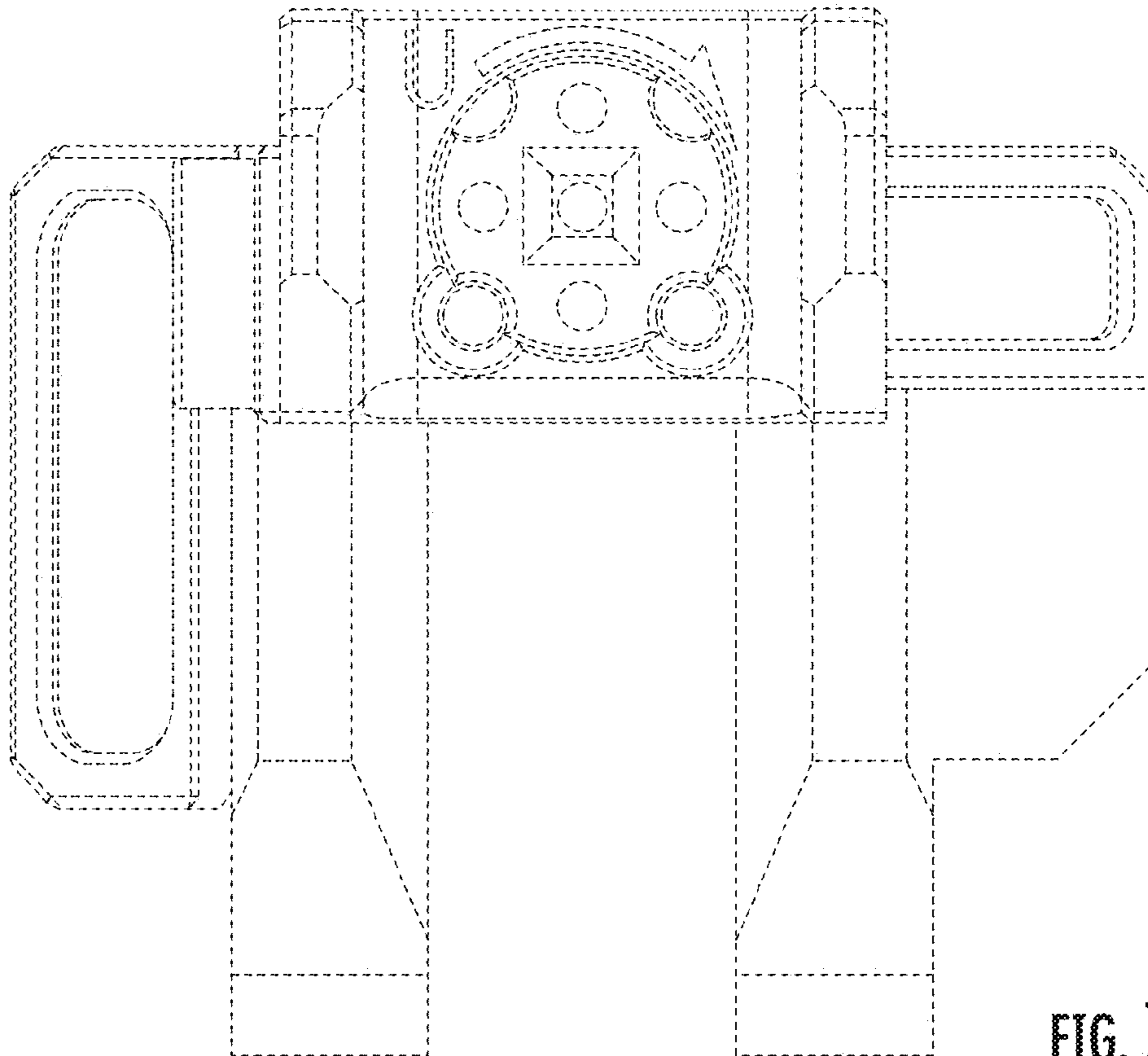


FIG. 7