



US00D883422S

(12) **United States Design Patent**  
**Grommet et al.**

(10) **Patent No.:** **US D883,422 S**

(45) **Date of Patent:** **\*\* May 5, 2020**

- (54) **FIRING PIN FOR A RIFLE**
- (71) Applicant: **Guardian Defense, LLC**, Columbia Falls, MT (US)
- (72) Inventors: **Dean G. Grommet**, Columbia Falls, MT (US); **Robert D. Mangelsdorf, Jr.**, Wheatridge, CO (US)
- (73) Assignee: **Guardian Defense, LLC**, Columbia Falls, MT (US)
- (\*\*) Term: **15 Years**
- (21) Appl. No.: **29/671,063**
- (22) Filed: **Nov. 21, 2018**
- (51) **LOC (12) Cl.** ..... **22-01**
- (52) **U.S. Cl.**  
USPC ..... **D22/108**
- (58) **Field of Classification Search**  
USPC ..... D22/100, 103, 108, 109, 110, 111, 113, D22/115, 116, 199; D21/567, 573  
CPC ..... F41A 23/08; F41A 23/10; F41A 21/16; F41A 21/22; F41C 23/00; F41C 7/00; F41J 1/10; F41G 1/30  
See application file for complete search history.

(56) **References Cited**

**U.S. PATENT DOCUMENTS**

- D216,308 S \* 12/1969 Hirsh ..... D22/102
- 4,679,285 A \* 7/1987 Ballantyne ..... B21D 53/40  
16/274
- 5,421,119 A \* 6/1995 Miner ..... F41A 19/13  
42/69.01
- D433,621 S \* 11/2000 Wiley ..... D8/387
- 7,895,786 B2 \* 3/2011 Caulley ..... F41A 3/22  
42/69.02
- D715,127 S \* 10/2014 Shargh ..... D8/323

- D771,215 S \* 11/2016 Wolf ..... D22/108
- D842,417 S \* 3/2019 Liu ..... D22/108
- 10,247,500 B2 \* 4/2019 Owens ..... F41A 3/12

**OTHER PUBLICATIONS**

“Firing Pin—Pistol Caliber”. [online]. newfrontierarmory.com. [Retrieved on Dec. 29, 2019]. Retrieved from the Internet: <https://www.newfrontierarmory.com/product/spare-firing-pin-pistol-caliber>.\*

“Firing pin retainer ar15 vs 10” [online]. ar15.com. [Published on Jul. 7, 2017]. Retrieved from the Internet: <https://www.ar15.com/forums/ar-15/Firing-pin-retainer-ar15-vs-10/121-715405/>.\*

“JP 308 HP Firing Pin” [online]. strongsidetactical.com. [Retrieved on Dec. 29, 2019]. Retrieved from the Internet: <https://www.strongsidetactical.com/jp-308-hp-firing-pin/>.\*

(Continued)

*Primary Examiner* — Khawaja Anwar

*Assistant Examiner* — Mojtaba Tehrani

(74) *Attorney, Agent, or Firm* — Christensen O’Connor Johnson Kindness, PLLC

(57) **CLAIM**

The ornamental design for a firing pin for a rifle, as shown and described.

**DESCRIPTION**

FIG. 1 is a front top left isometric view of the a firing pin for a rifle, showing our new design;

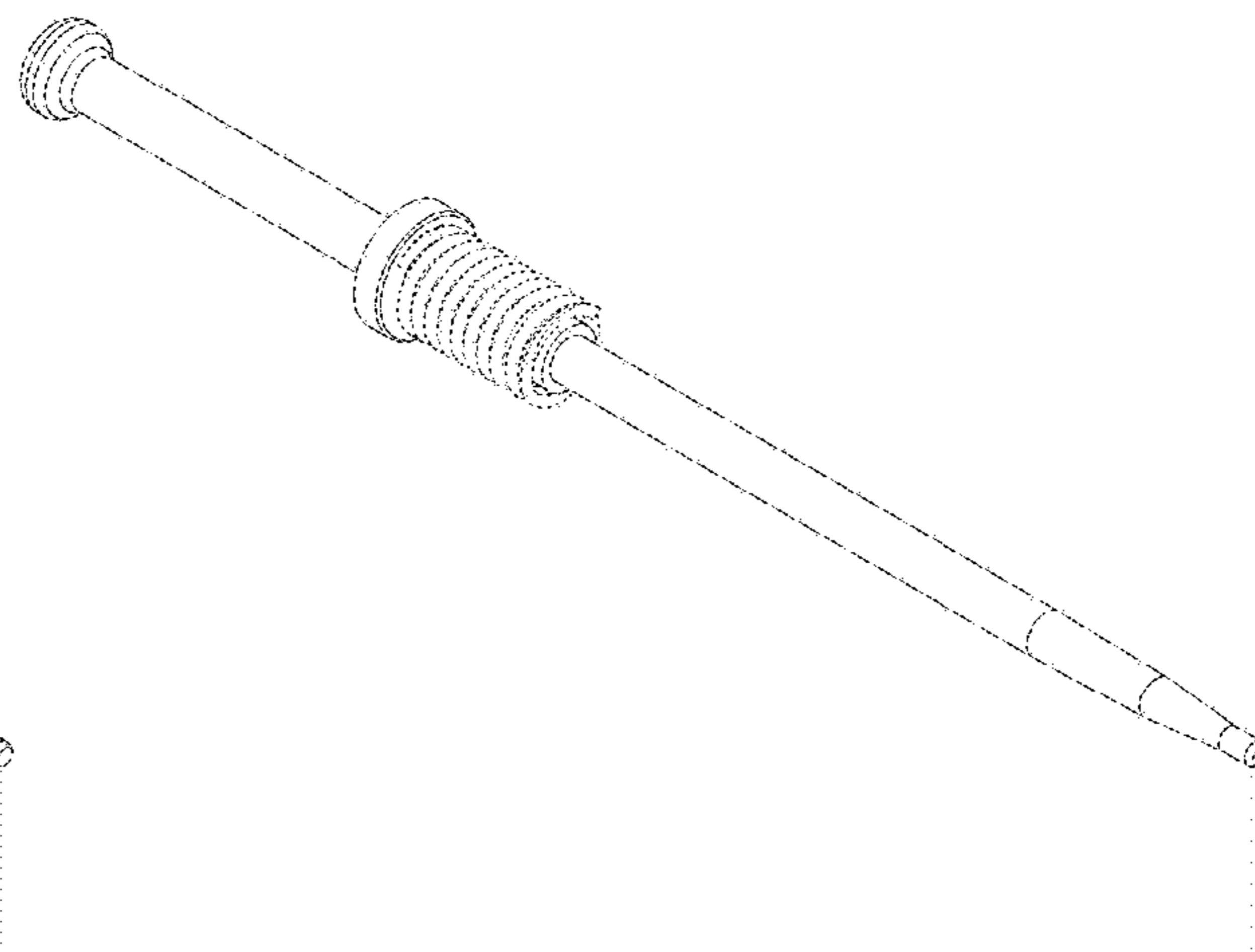
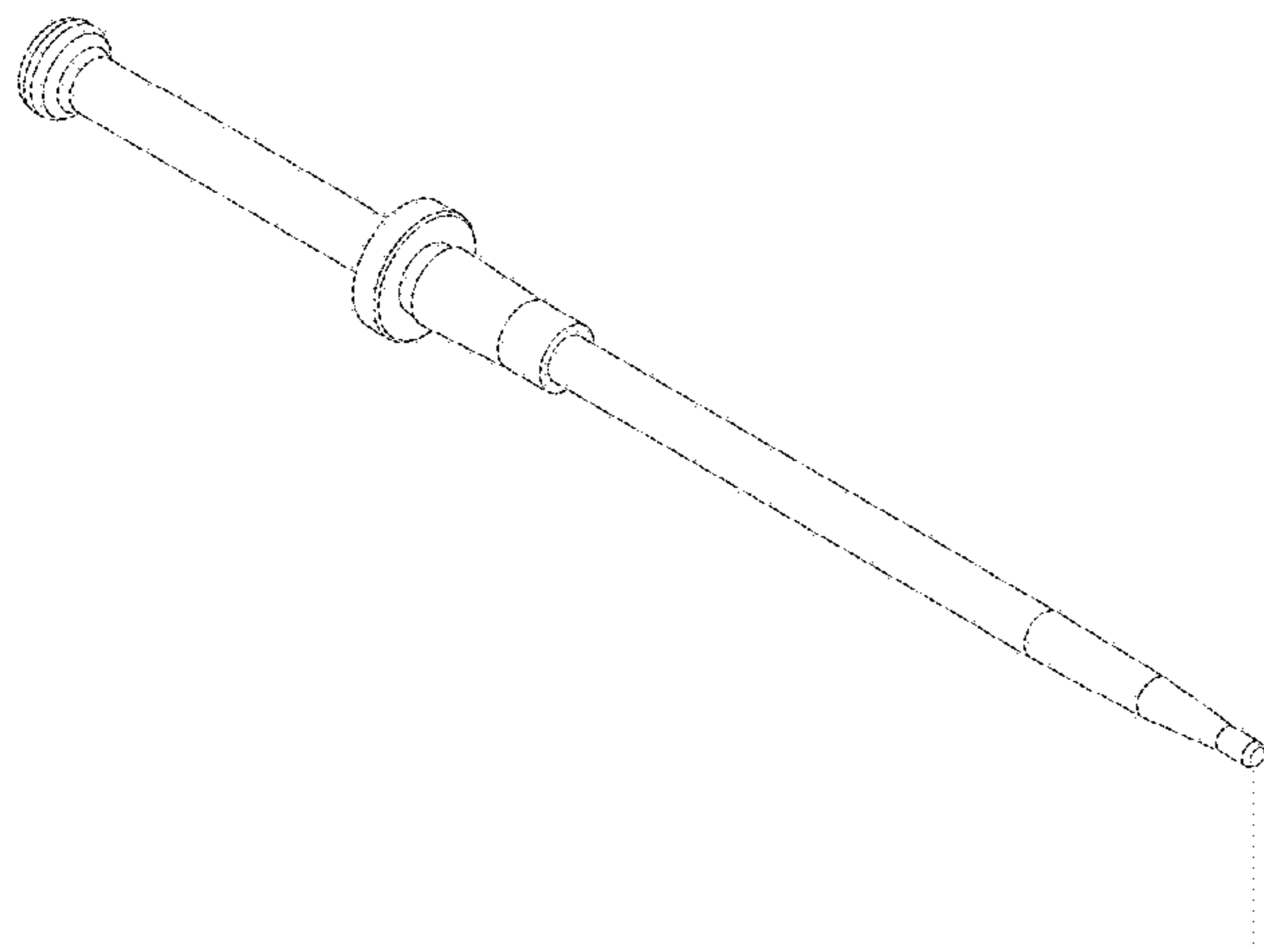
FIG. 2 is a left side elevation view of the firing pin for a rifle of FIG. 1;

FIG. 3 is a rear view of the firing pin for a rifle of FIG. 1; FIG. 4 is a front view of the firing pin for a rifle of FIG. 1; and,

FIG. 5 is a front top left isometric view of the firing pin for a rifle of FIG. 1, showing a firing pin spring.

The broken lines show portions of the firing pin for a rifle which form no part of the claimed design.

**1 Claim, 3 Drawing Sheets**



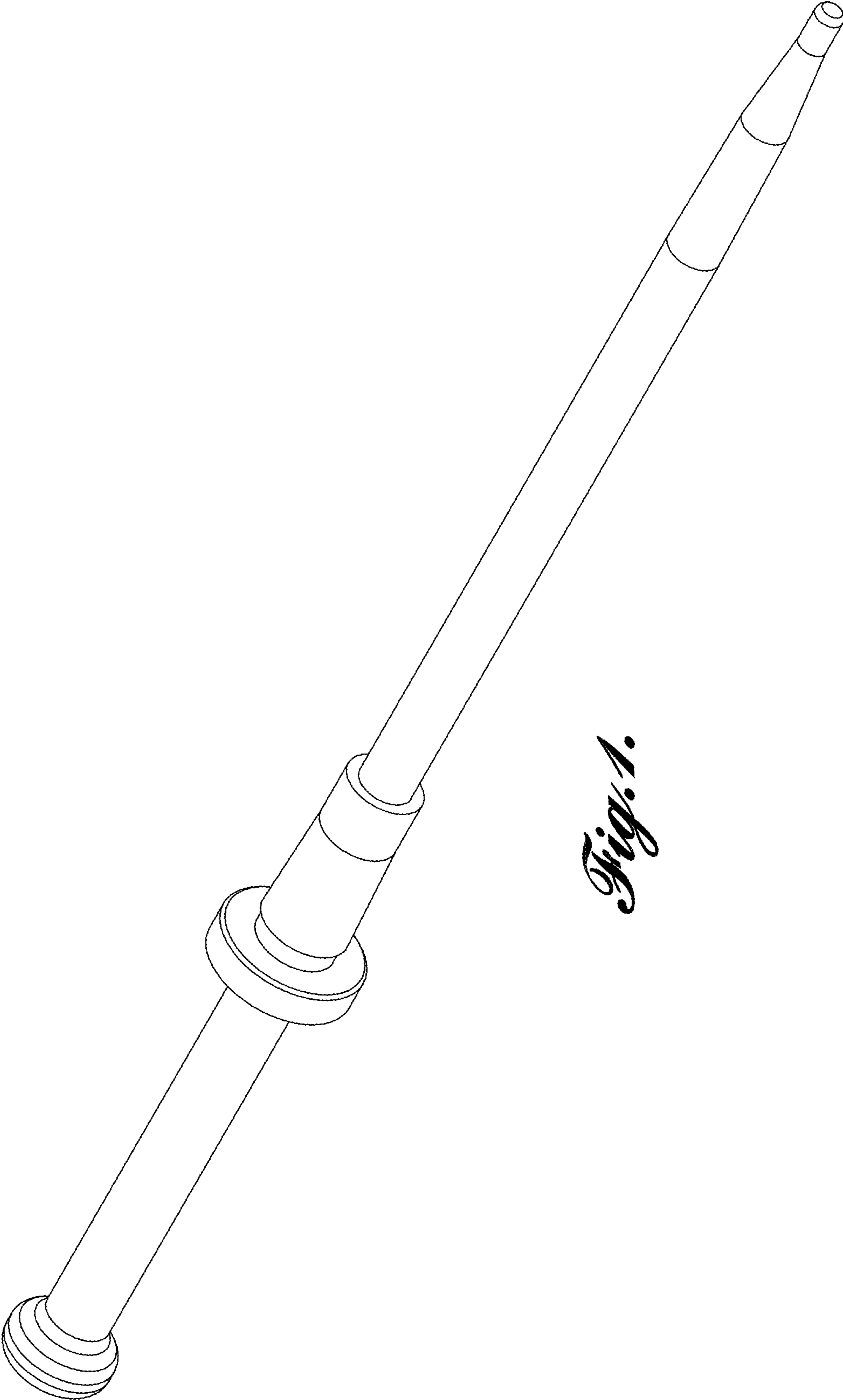
(56)

**References Cited**

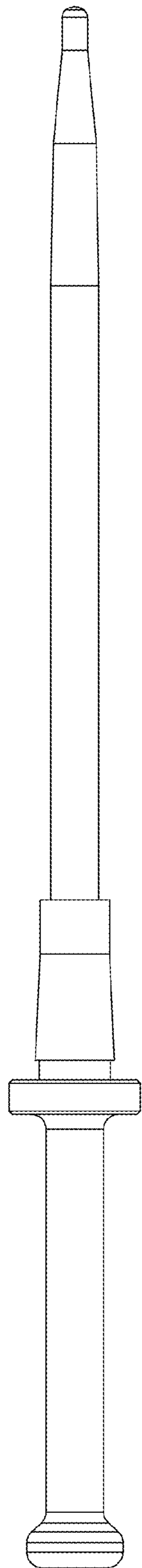
OTHER PUBLICATIONS

“JP AR-10 Titanium Firing Pin” [online]. strongsidetactical.com. [Retrieved on Dec. 29, 2019]. Retrieved from the Internet: <<https://www.strongsidetactical.com/jp-ar-10-titanium-firing-pin/>>.\*  
“HK German HK G3, HK 91, PTR .308 Firing Pin” [online]. hkparts.net. [Retrieved on Dec. 29, 2019]. Retrieved from the Internet: <<https://hkparts.net/product/hk-german-hk-g3-hk-91-ptr-308-firing-pin-p497.htm>>.\*

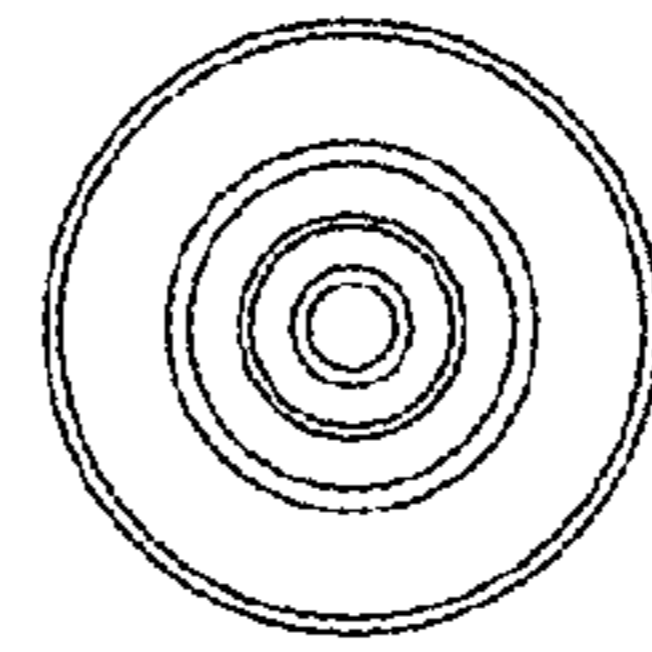
\* cited by examiner



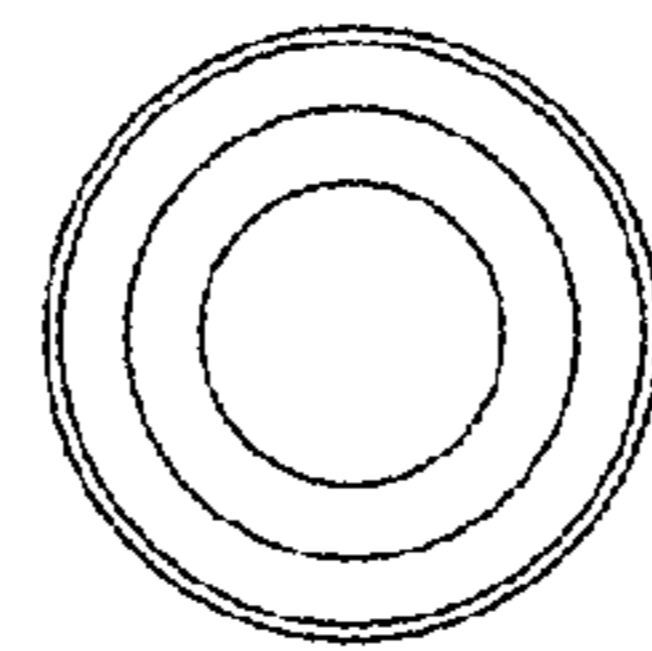
*Fig. 1.*



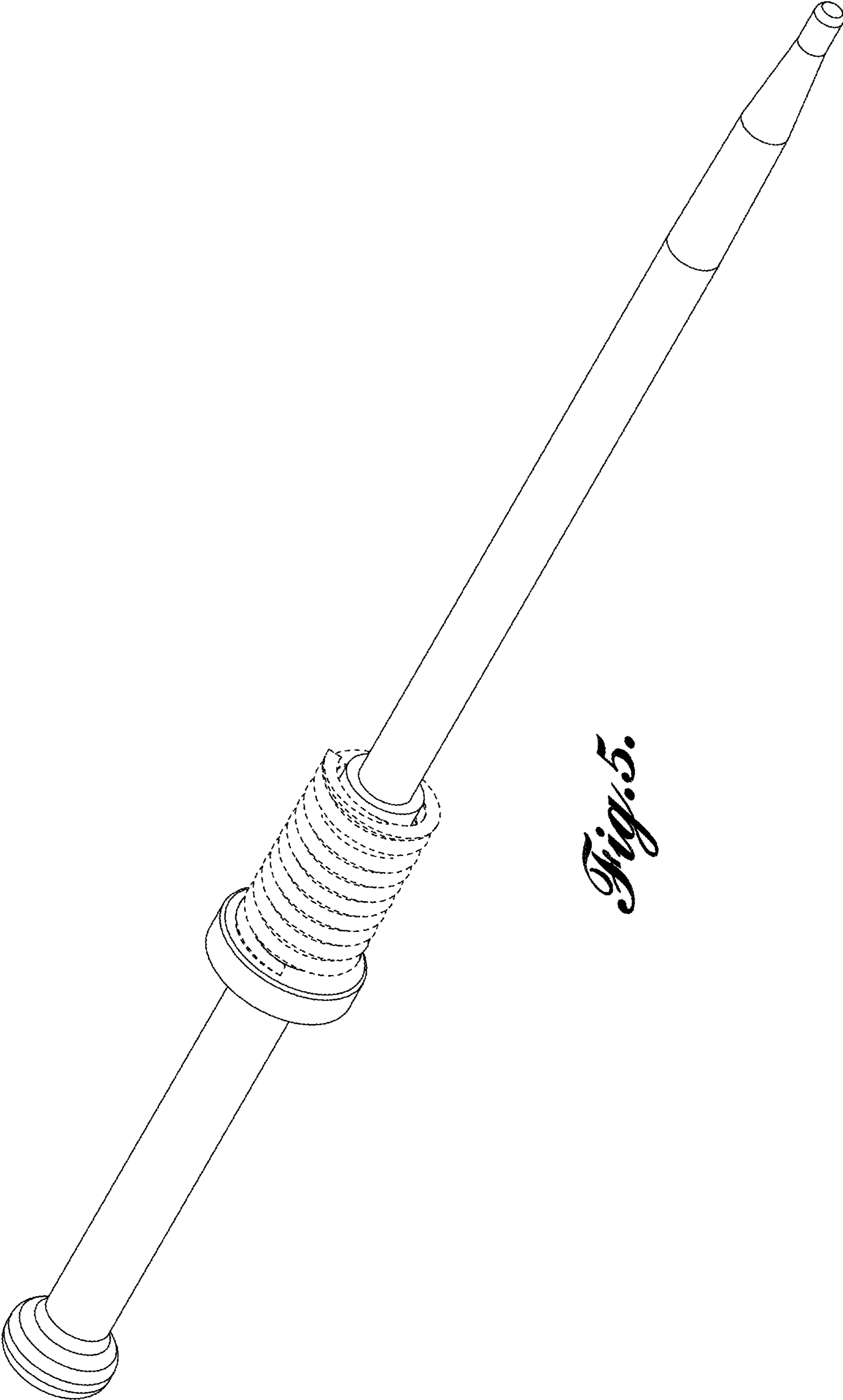
*Fig. 2.*



*Fig. 4.*



*Fig. 3.*



*Fig. 5.*