



US00D883421S

(12) **United States Design Patent** (10) **Patent No.:** **US D883,421 S**
Grommet et al. (45) **Date of Patent:** **** May 5, 2020**

(54) **BOLT CARRIER FOR A RIFLE**

- (71) Applicant: **Guardian Defense, LLC**, Columbia Falls, MT (US)
- (72) Inventors: **Dean G. Grommet**, Columbia Falls, MT (US); **Robert D. Mangelsdorf, Jr.**, Wheatridge, CO (US)
- (73) Assignee: **Guardian Defense, LLC**, Columbia Falls, MT (US)
- (**) Term: **15 Years**
- (21) Appl. No.: **29/671,062**
- (22) Filed: **Nov. 21, 2018**

Related U.S. Application Data

- (63) Continuation-in-part of application No. 14/479,218, filed on Sep. 5, 2014, now Pat. No. 10,330,410.
- (51) **LOC (12) Cl.** **22-01**
- (52) **U.S. Cl.**
USPC **D22/108**
- (58) **Field of Classification Search**
USPC D22/100, 103, 108, 109, 110, 111, 113, D22/115, 116, 199; D21/567, 573
CPC F41A 23/08; F41A 23/10; F41A 21/16; F41A 21/22; F41C 23/00; F41C 7/00; F41J 1/10; F41G 1/30
See application file for complete search history.

(56) **References Cited**

U.S. PATENT DOCUMENTS

1,399,440 A	12/1921	Payne
1,674,370 A	6/1928	Methlin
1,719,147 A	7/1929	Tansley
2,359,263 A	9/1944	Webb
2,951,424 A	9/1960	Stoner
3,035,495 A	5/1962	Stoner
3,198,076 A	8/1965	Stoner

(Continued)

OTHER PUBLICATIONS

“JP Polished Low Mass BCG w/ Hp Bolt .308” [online]. strongsidetactical.com. [Retrieved on Dec. 30, 2019]. Retrieved from the Internet: <<https://www.strongsidetactical.com/jp-polished-low-mass-bcg-w-hp-bolt-308/>>.*

(Continued)

Primary Examiner — Khawaja Anwar

Assistant Examiner — Mojtaba Tehrani

(74) *Attorney, Agent, or Firm* — Christensen O’Connor Johnson Kindness, PLLC

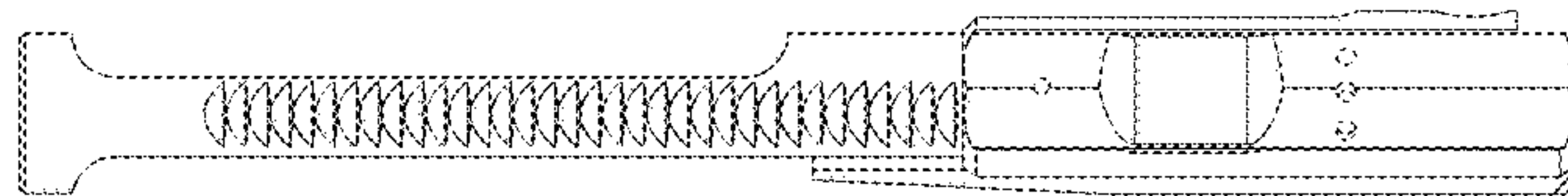
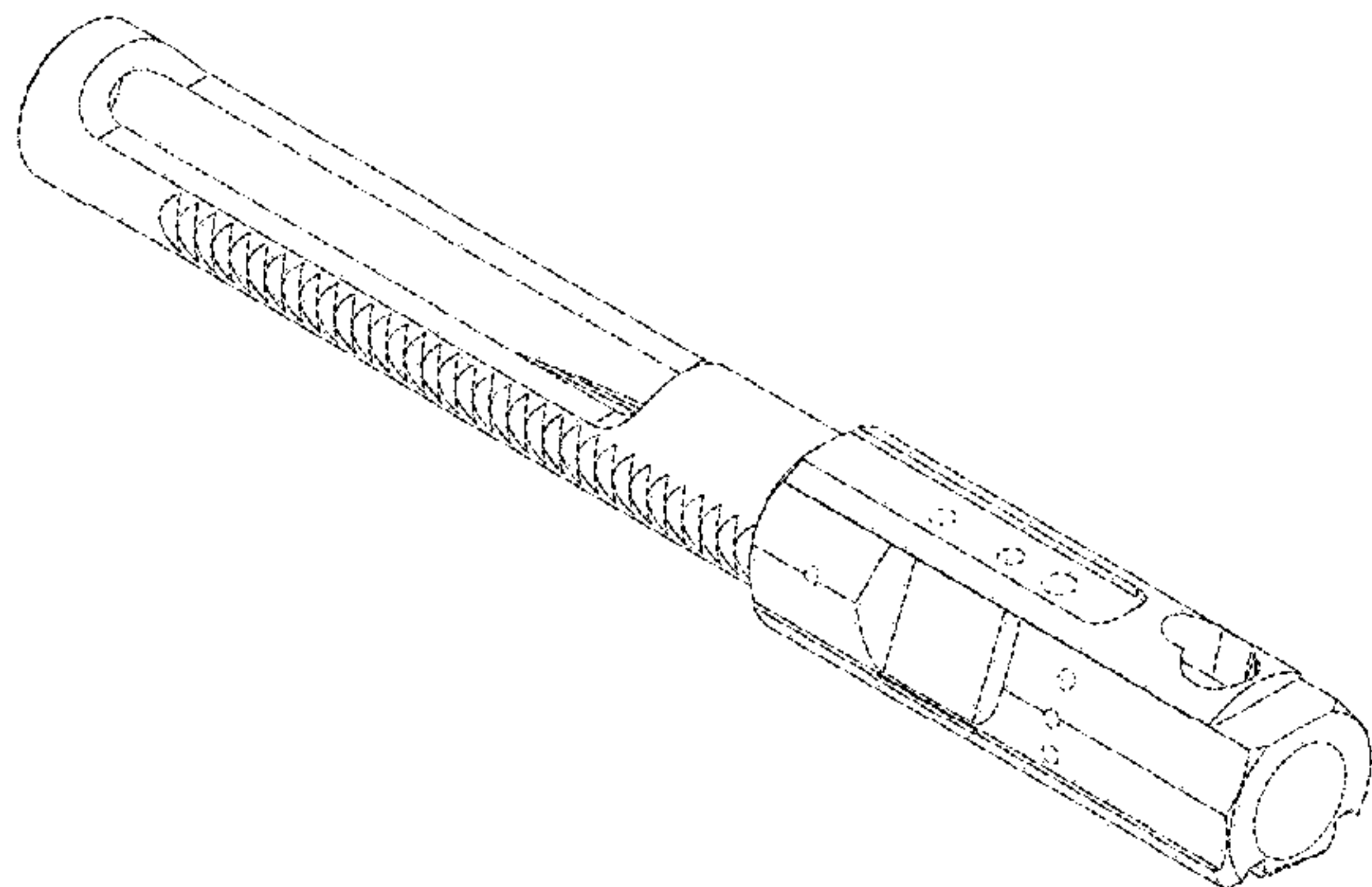
(57) **CLAIM**

The ornamental design for a bolt carrier for a rifle, as shown and described.

DESCRIPTION

FIG. 1 is a front top left isometric view of the a bolt carrier for a rifle, showing our new design;
 FIG. 2 is a rear bottom right isometric view of the bolt carrier for a rifle of FIG. 1;
 FIG. 3 is a top view of the bolt carrier for a rifle of FIG. 1;
 FIG. 4 is a bottom view of the bolt carrier for a rifle of FIG. 1;
 FIG. 5 is a left side elevation view of the bolt carrier for a rifle of FIG. 1;
 FIG. 6 is a right side elevation view of the bolt carrier for a rifle of FIG. 1;
 FIG. 7 is a front view of the bolt carrier for a rifle of FIG. 1; and,
 FIG. 8 is a rear view of the bolt carrier for a rifle of FIG. 1.
 The evenly broken lines show unclaimed portions of the bolt carrier for a rifle; the dash-dot broken lines define the bounds of the claim. The broken lines form no part of the claimed design.

1 Claim, 4 Drawing Sheets



(56)

References Cited

U.S. PATENT DOCUMENTS

3,425,317 A 2/1969 Menneking
 3,453,929 A 7/1969 Betzold et al.
 3,500,718 A 3/1970 Stoner
 3,566,744 A 3/1971 Stoner
 3,602,088 A 8/1971 Spring
 3,680,432 A 8/1972 Rocha
 3,732,643 A 3/1973 Wells
 3,744,371 A 7/1973 McFarland
 3,974,738 A 8/1976 Meyer
 4,015,511 A 4/1977 Folsom et al.
 4,112,817 A 9/1978 Bourlet
 4,311,081 A 1/1982 Gillum
 4,579,034 A 4/1986 Holloway
 4,612,843 A 9/1986 Marcon et al.
 4,942,802 A 7/1990 Stoner
 5,117,735 A 6/1992 Flashkes
 5,900,577 A 5/1999 Robinson et al.
 6,152,012 A 11/2000 Sherwood
 6,293,040 B1 9/2001 Luth
 6,634,274 B1 10/2003 Herring
 6,681,677 B2 1/2004 Herring
 6,985,007 B2 1/2006 Yamauchi et al.
 7,444,775 B1 11/2008 Schuetz
 7,568,421 B2 8/2009 Cummings
 7,802,392 B2 9/2010 Peterson et al.
 7,886,470 B1 2/2011 Doiron
 D641,451 S * 7/2011 Gomez F41A 5/20
 D22/108
 8,136,440 B1 3/2012 Shirts et al.
 8,234,808 B2 8/2012 Lewis et al.
 8,245,427 B2 * 8/2012 Gomez F41A 17/72
 42/70.08
 8,607,683 B1 12/2013 Burgermeister
 8,985,007 B2 3/2015 Larson et al.
 D754,273 S * 4/2016 Oglesby D22/108
 9,372,038 B1 * 6/2016 Sylvester F41A 5/24
 9,470,469 B2 * 10/2016 Daniel F41A 35/00
 10,006,726 B1 * 6/2018 Oglesby F41A 3/72
 10,018,434 B2 * 7/2018 Daley, Jr. F41A 3/66
 D860,371 S * 9/2019 Lister D22/108
 2003/0213359 A1 11/2003 Kropf
 2006/0207464 A1 9/2006 Maljkovic et al.
 2006/0283067 A1 12/2006 Herring
 2009/0031606 A1 2/2009 Robinson et al.
 2010/0000139 A1 * 1/2010 Brown F41A 3/66
 42/96
 2010/0147277 A1 6/2010 Zimmerman et al.
 2010/0229445 A1 9/2010 Patel
 2011/0048269 A1 3/2011 Schuster

2011/0107901 A1 5/2011 Lasichak et al.
 2012/0137869 A1 * 6/2012 Gomez F41A 3/26
 89/125
 2012/0152094 A1 6/2012 Gonzalez
 2012/0260793 A1 10/2012 Gomez
 2013/0047828 A1 2/2013 Smith
 2014/0076144 A1 * 3/2014 Gomez F41A 3/38
 89/132
 2014/0260931 A1 9/2014 Iannello et al.
 2014/0318361 A1 * 10/2014 Larue F41A 5/24
 89/193
 2015/0135942 A1 5/2015 Gomez
 2015/0241149 A1 * 8/2015 McMillen, IV F41A 5/28
 89/193
 2015/0267979 A1 9/2015 Miller et al.
 2016/0047611 A1 2/2016 Battaglia et al.
 2016/0123685 A1 * 5/2016 Oglesby F41A 3/26
 89/180

OTHER PUBLICATIONS

“Lantac E-BCG Enhanced Bolt Carrier Group LR-308 308 Winchester Nitride” [online]. midwayusa.com. [Retrieved on Dec. 30, 2019]. Retrieved from the Internet: <<https://www.midwayusa.com/product/1019617249>>.*
 “.308 / 7.62 Bolt Carrier Group, Complete—Nickel Boron” [online]. aeroprecisionusa.com. [Retrieved on Dec. 30, 2019]. Retrieved from the Internet: <<https://www.aeroprecisionusa.com/308-bolt-carrier-group-nib>>.*
 “.300 Winchester Short Magnum DSSF Magazine,” © 2017 Accurate-Mag, Monroe, Connecticut, Dec. 21, 2013, <http://store.accurate-mag.com/308winchestershortmagnum_box_magazine.aspx> [retrieved Feb. 2, 2017], 1 page.
 BlahBlah, “DIY Lightweight Bolt Carrier: Anyone Done It?” Aug. 21, 2012, AR-15 Forums, <https://www.ar15.com/forums/ar-15/DIY_Lightweight_Bolt_Carrier_Anyone_done_it_/4-582741/>, 7 pages.
 D_, “Lighten Bolt Carrier—Specs?” Nov. 17, 2010, Brian Eno’s Forums . . . Maku mozo! <<http://forums.brianenos.com/topic/117563-lighten-bolt-carrier-specs/>>, 9 pages.
 “Nemo Omen 300 Win Mag Magazines, 14 Round,” © 1997-2017 Impact Guns, Dec. 18, 2012, <<http://www.impactguns.com/nemo-omen-300-win-mag-magazines-14-round-omn-ic107.aspx>> retrieved Feb. 2, 2017], 2 pages.
 Sweeney, P., “Nemo Omen .300 Win. Mag. Review,” Aug. 19, 2013, Guns&Ammo, AR-15 Rifles, <<http://www.gunsandammo.com/reviews/nemo-omen-300-win-mag-review/>> [retrieved Feb. 1, 2017], 6 pages.

* cited by examiner

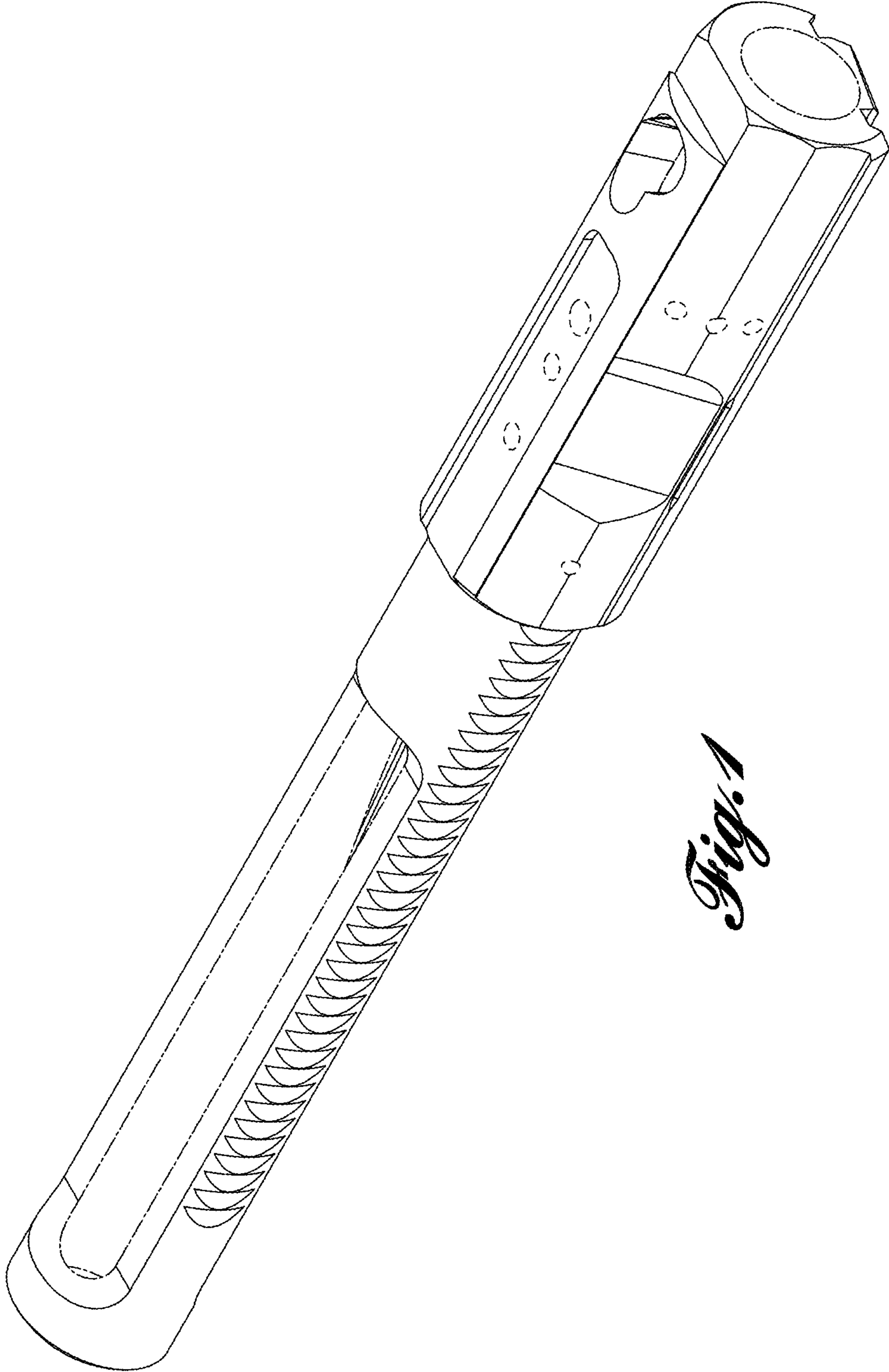


Fig. 1

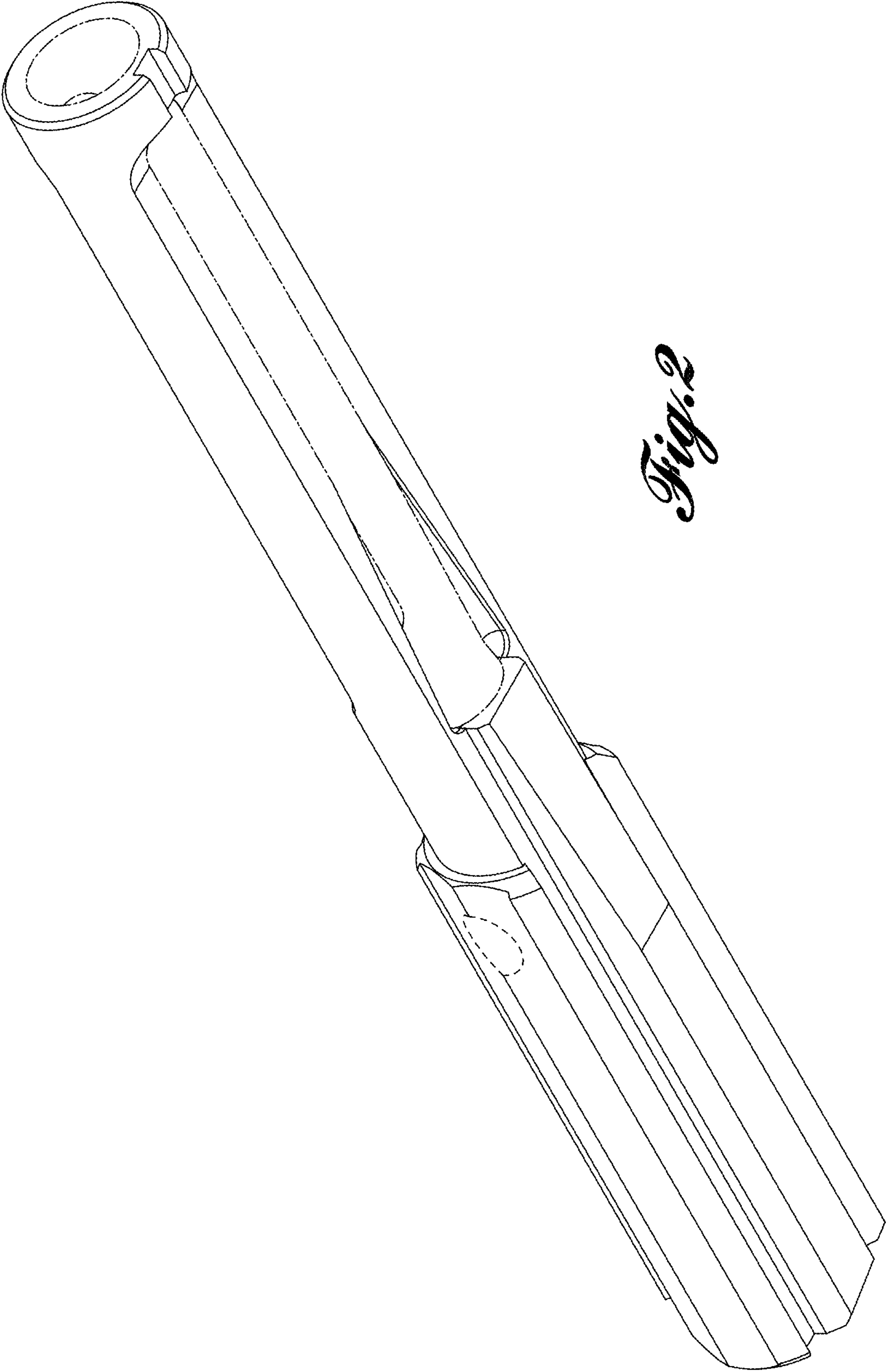


Fig. 2

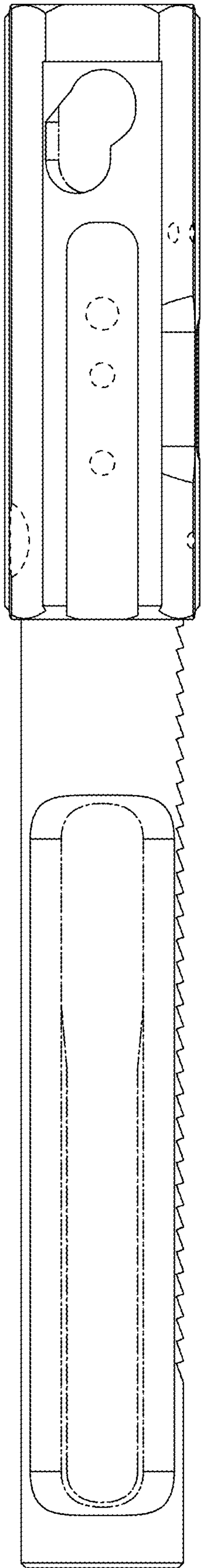


Fig. 3

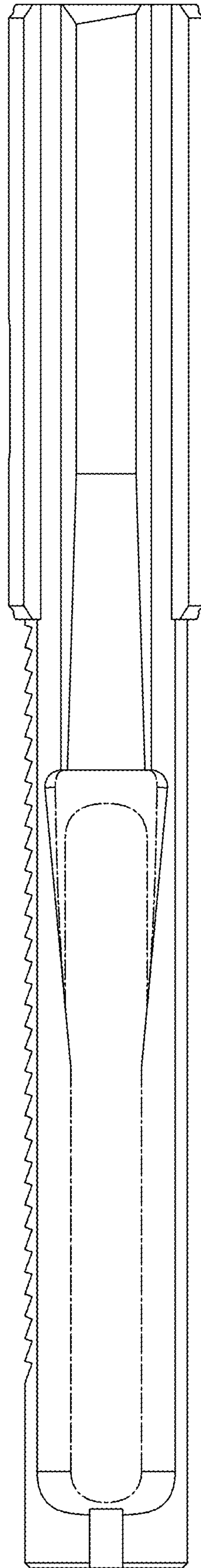


Fig. 4

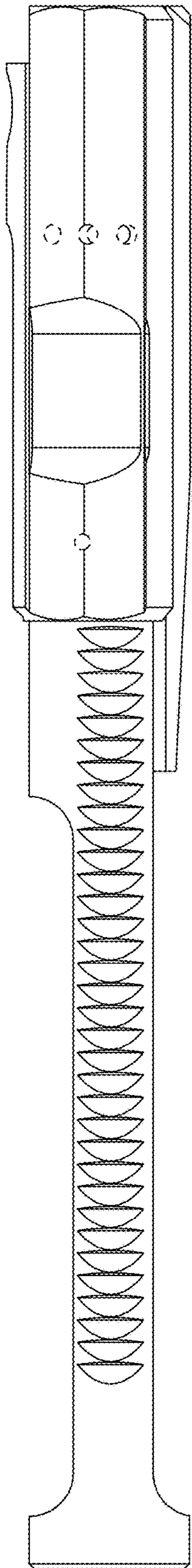


Fig. 5

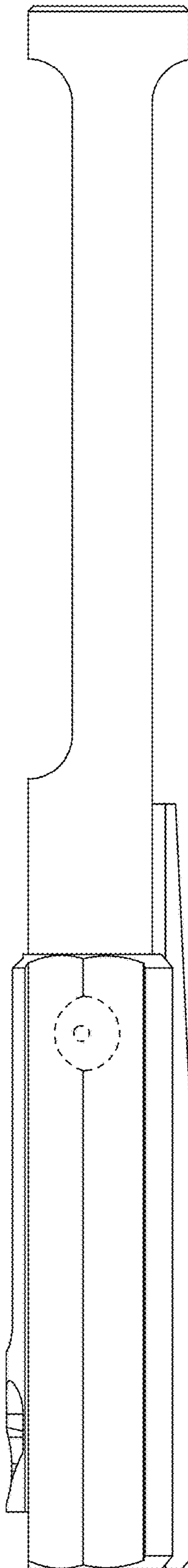


Fig. 6

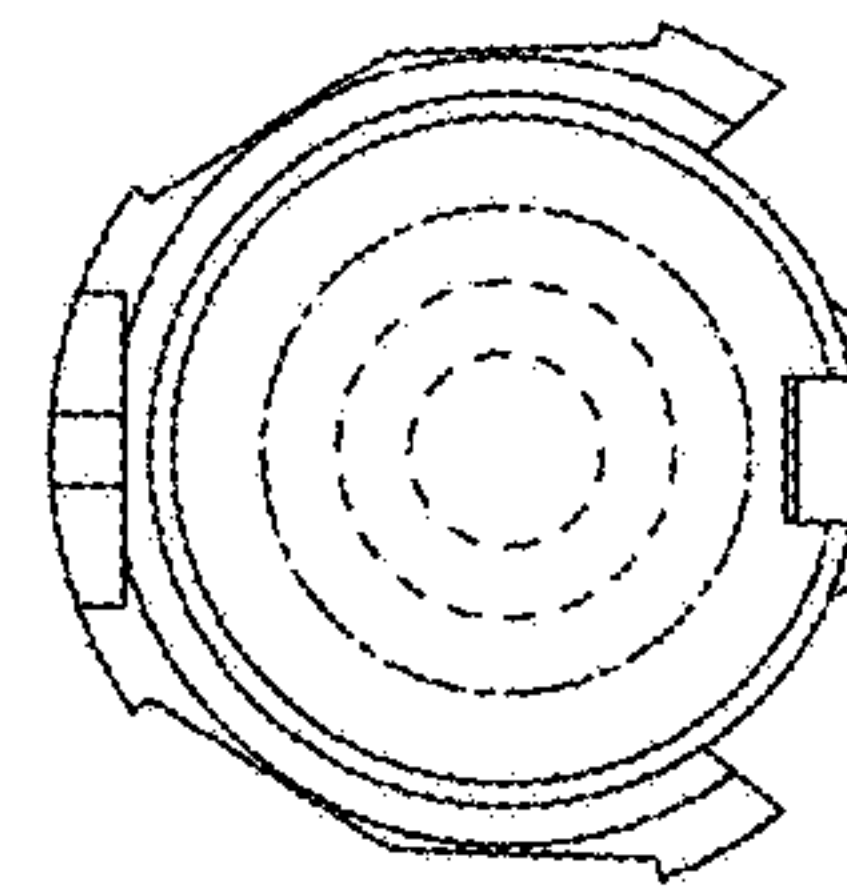


Fig. 8

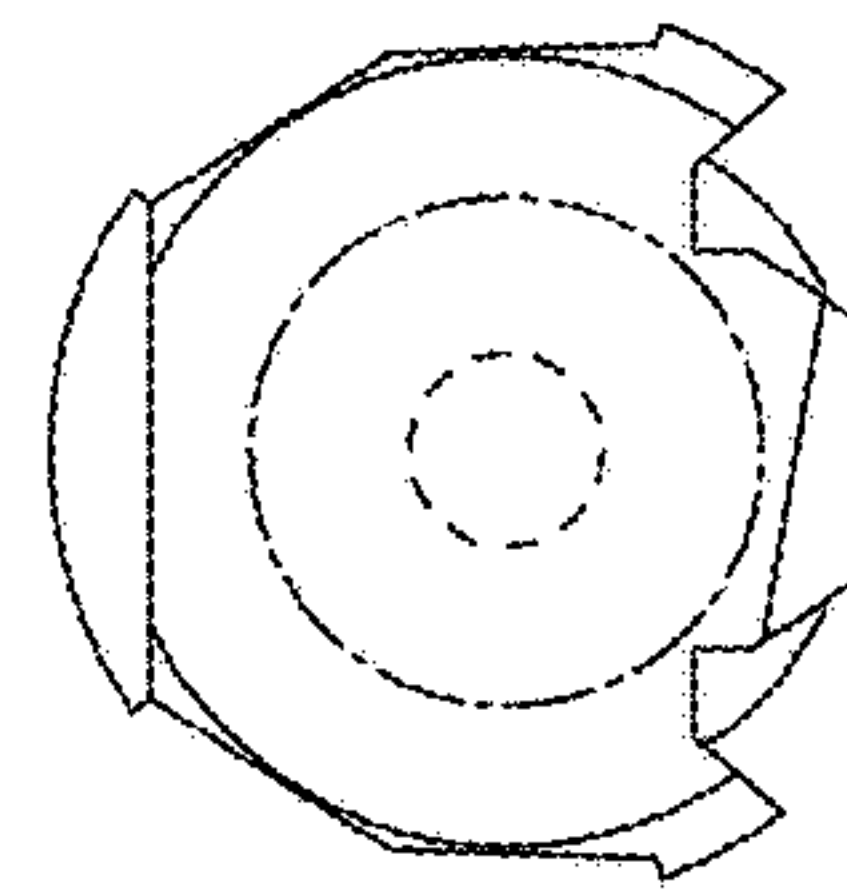


Fig. 7