



US00D883420S

(12) **United States Design Patent**
Green

(10) **Patent No.:** **US D883,420 S**

(45) **Date of Patent:** **** May 5, 2020**

(54) **MUZZLE BRAKE**

(71) Applicant: **Hearing Protection LLC**, Dousman,
WI (US)

(72) Inventor: **Austin R. Green**, Wales, WI (US)

(73) Assignee: **HEARING PROTECTION LLC**,
Watertown, WI (US)

(**) Term: **15 Years**

(21) Appl. No.: **29/663,403**

(22) Filed: **Sep. 14, 2018**

(51) **LOC (12) Cl.** **22-01**

(52) **U.S. Cl.**
USPC **D22/108**

(58) **Field of Classification Search**
USPC D22/108; D21/571-575
CPC F41A 21/34; F41A 21/325; F41A 21/32;
F41A 21/28

See application file for complete search history.

(56) **References Cited**

U.S. PATENT DOCUMENTS

D195,627 S * 7/1963 Ashbrook et al. D22/108

D765,210 S * 8/2016 Sui D22/108
D787,622 S * 5/2017 Geissele B25B 13/48
D22/108
D837,924 S * 1/2019 Kunau D22/108

* cited by examiner

Primary Examiner — Michael A. Pratt

(74) *Attorney, Agent, or Firm* — Mitchell Law PLLC;
Matthew W. Mitchell

(57) **CLAIM**

The ornamental design for a muzzle brake, as shown and described.

DESCRIPTION

FIG. 1 is a front isometric view of the muzzle brake of the present invention;

FIG. 2 is a second isometric view thereof;

FIG. 3 is a third isometric view thereof;

FIG. 4 is a fourth isometric view thereof;

FIG. 5 is a left-side view thereof;

FIG. 6 is a right-side view thereof;

FIG. 7 is a front-side view thereof;

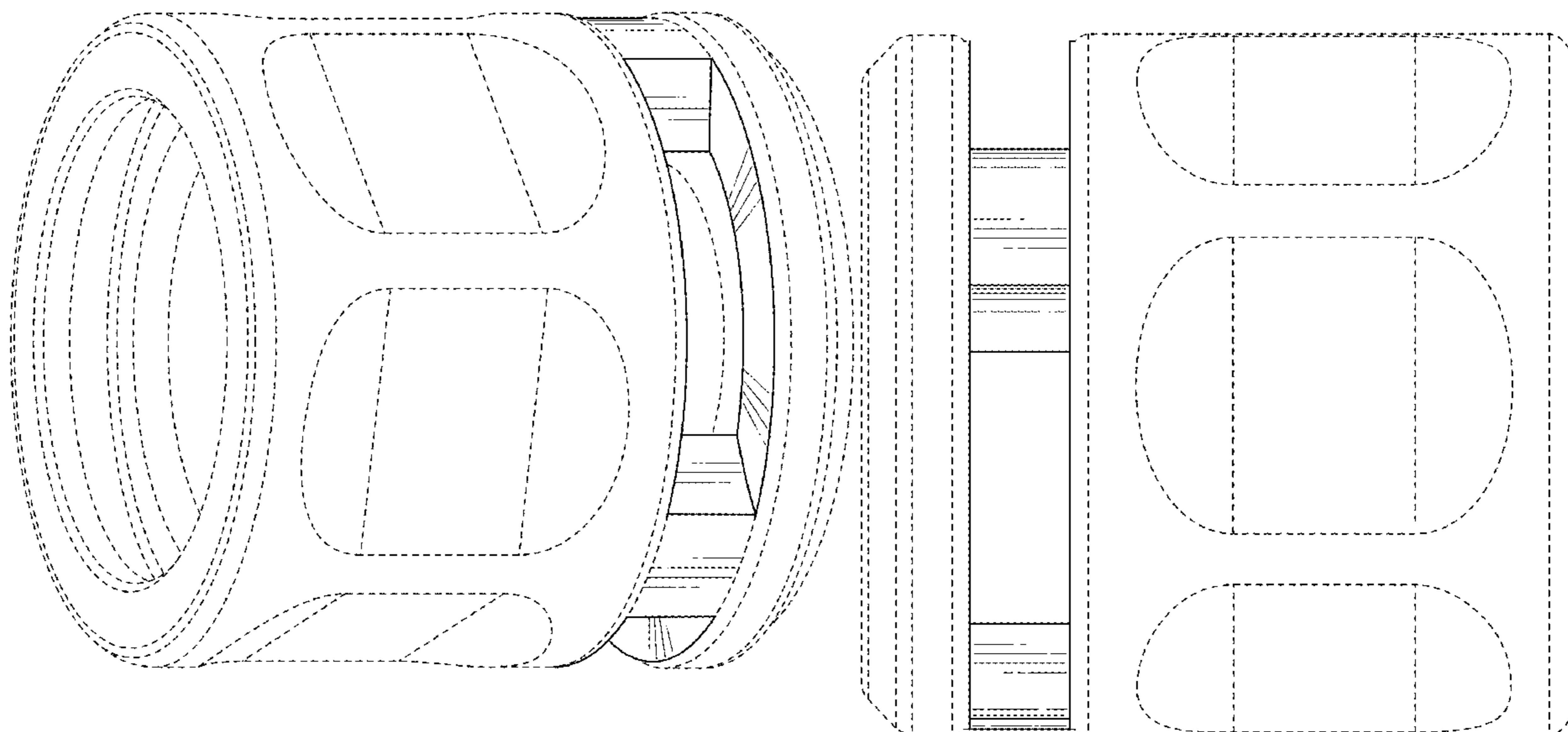
FIG. 8 is a rear-side view thereof;

FIG. 9 is a top plan view thereof; and,

FIG. 10 is a bottom plan view thereof.

The broken lines environmental structure and form no part of the claimed design.

1 Claim, 10 Drawing Sheets



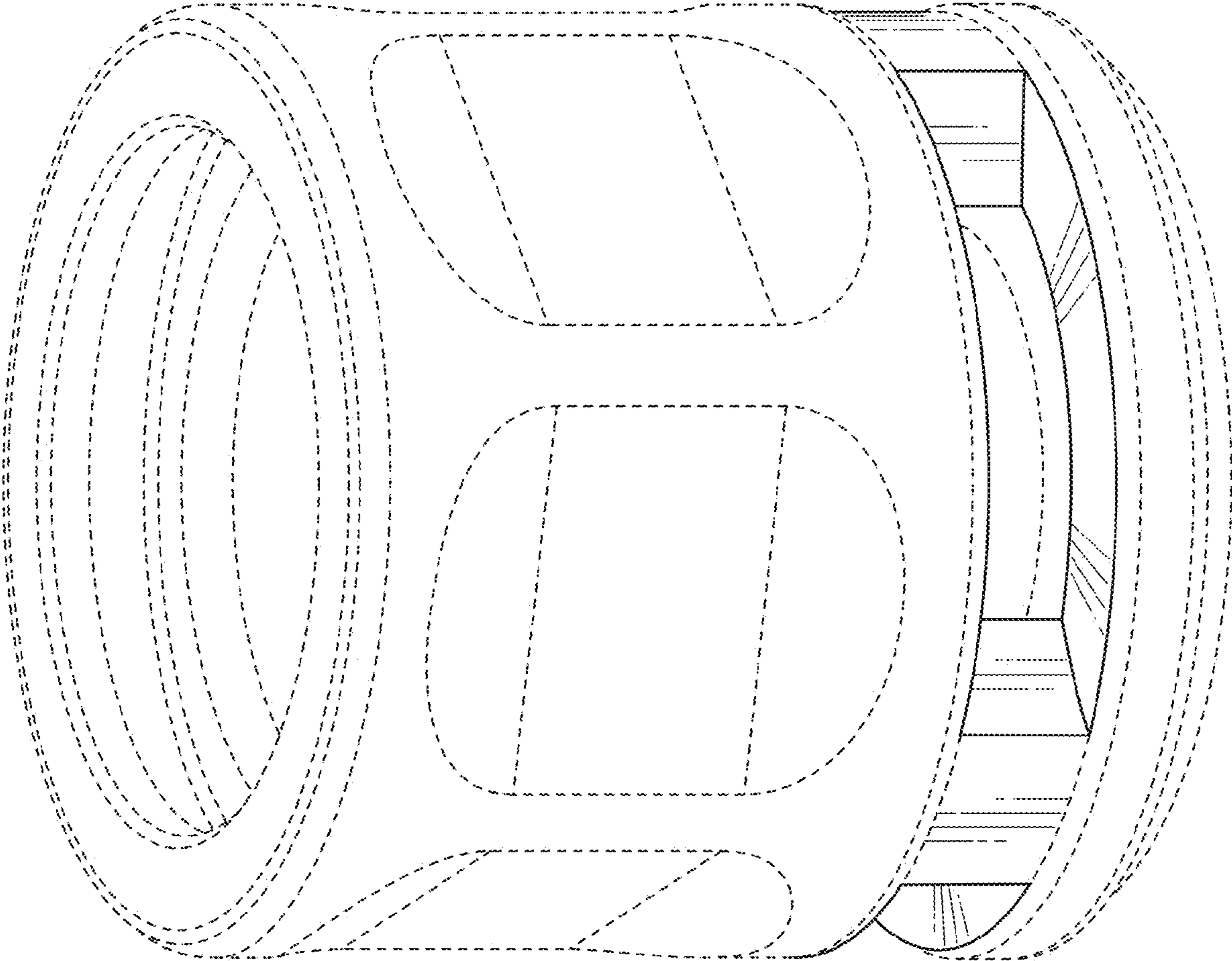


FIG. 1

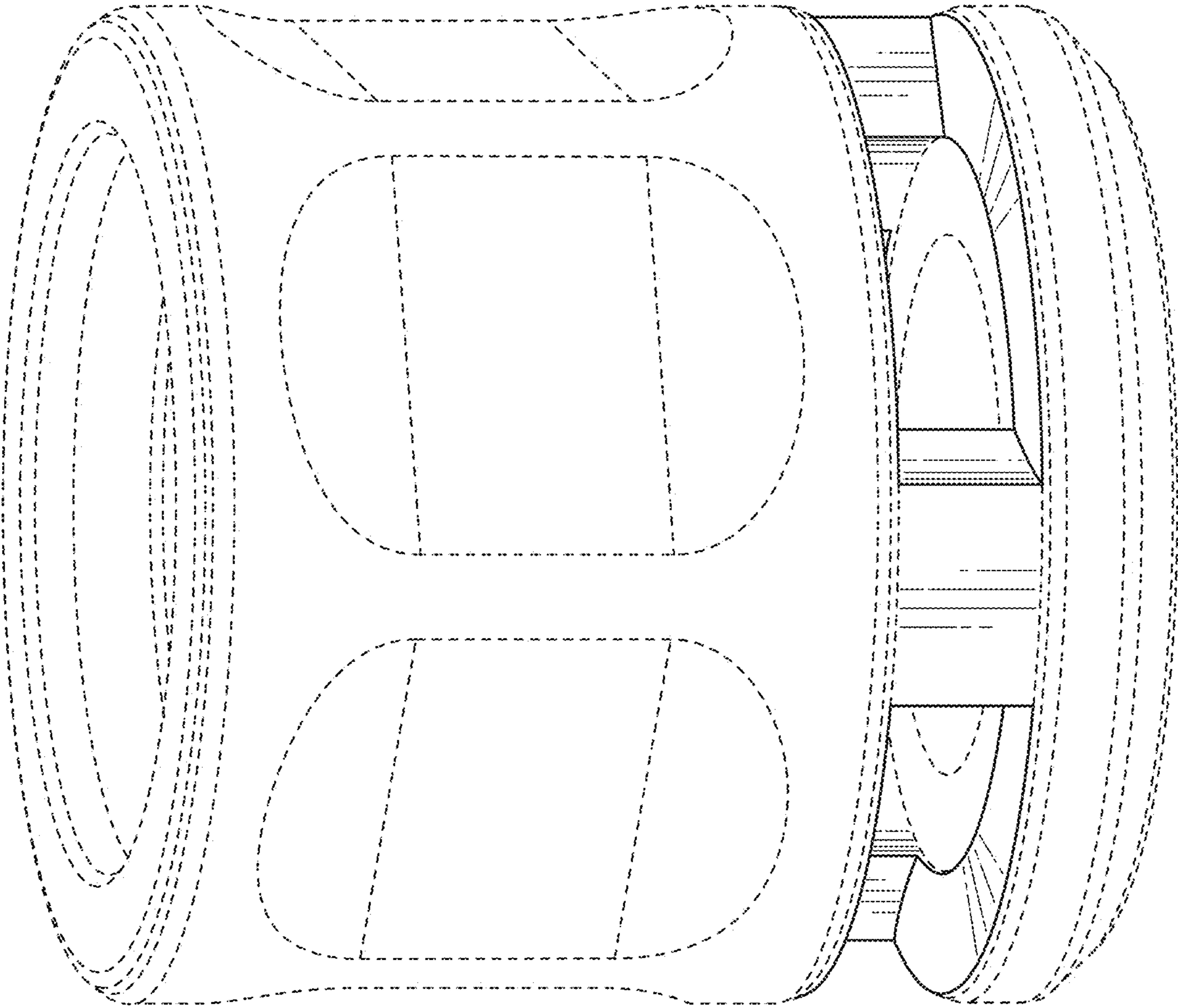


FIG. 2

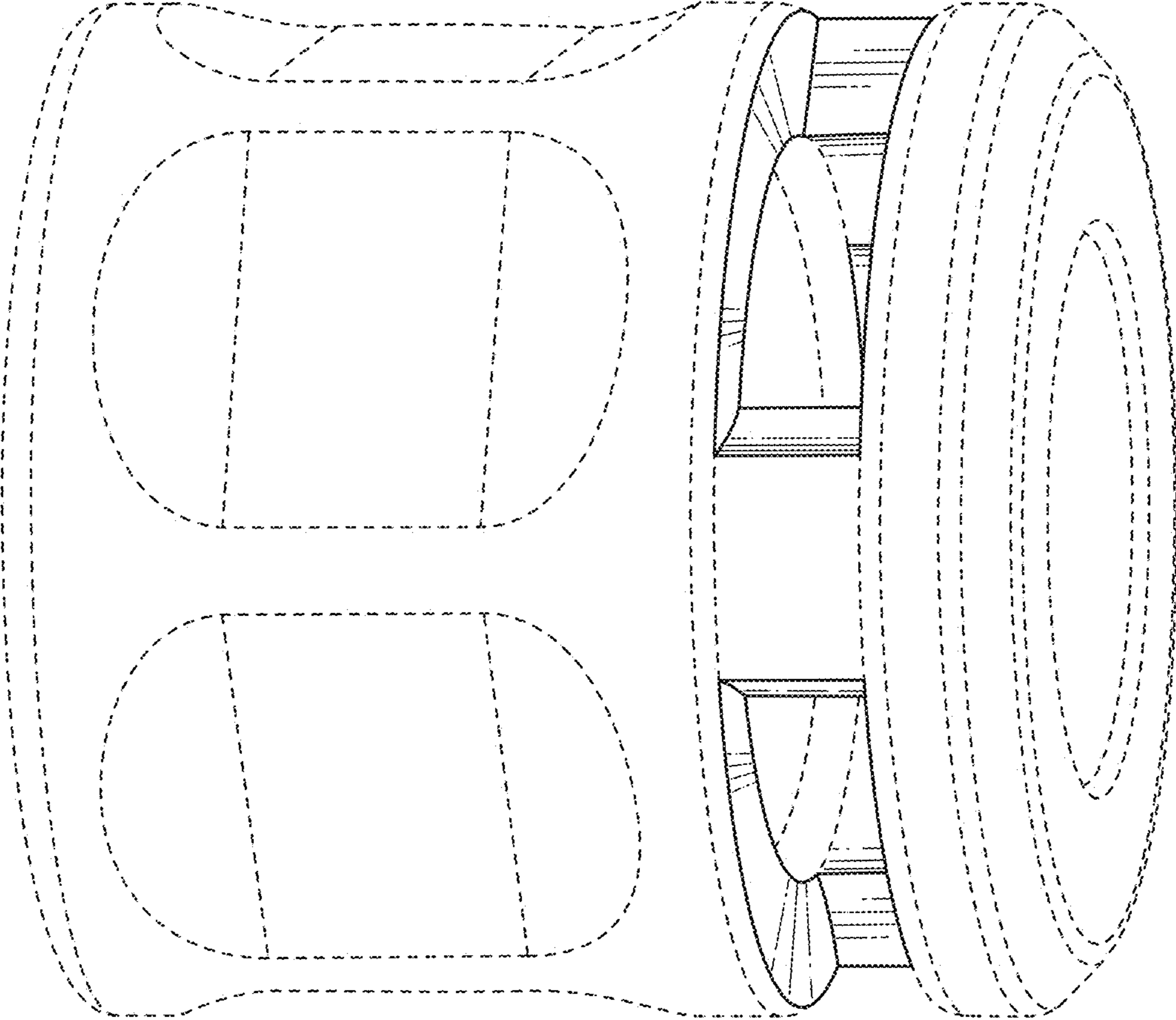


FIG. 3

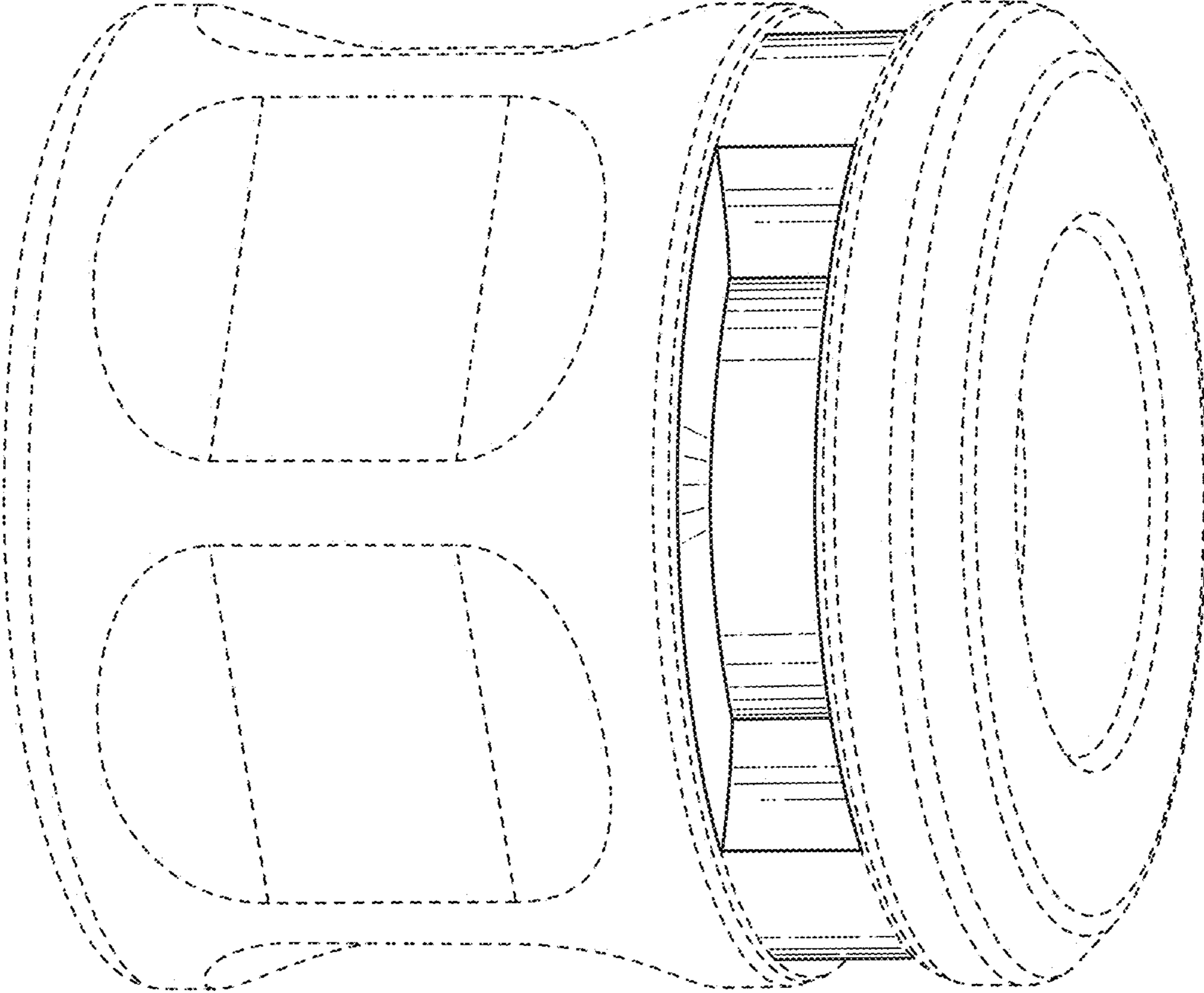


FIG. 4

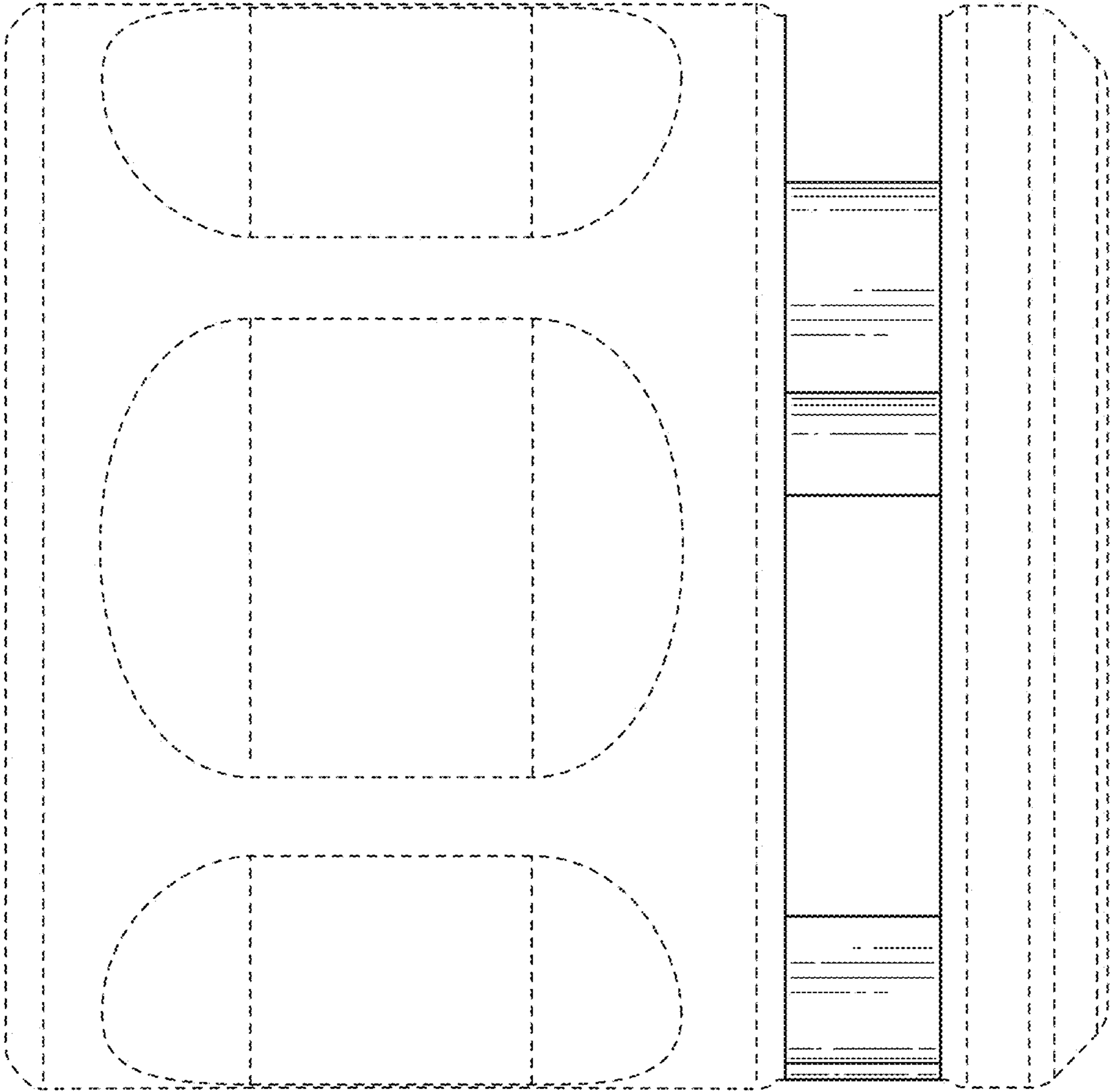


FIG. 5

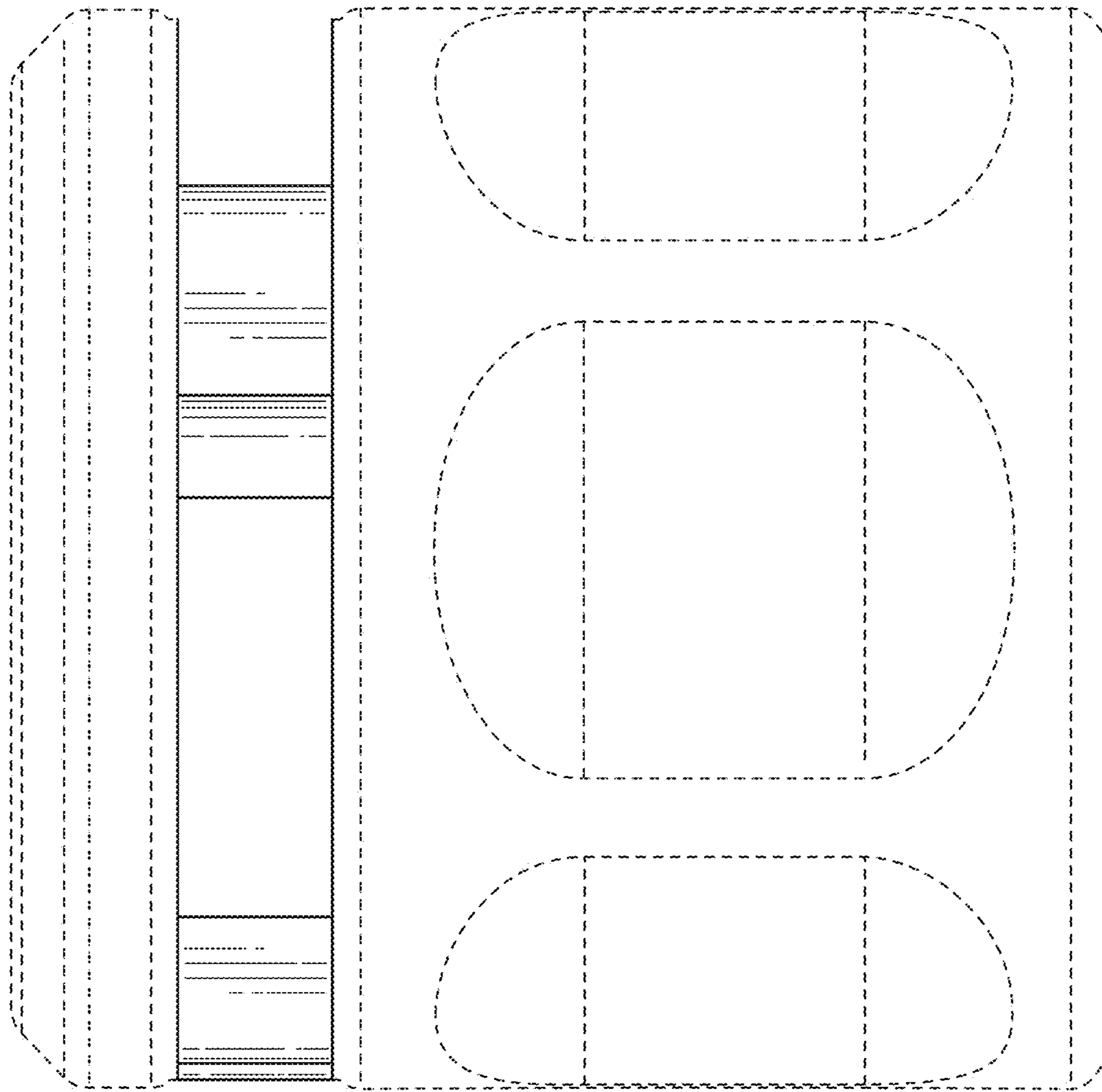


FIG. 6

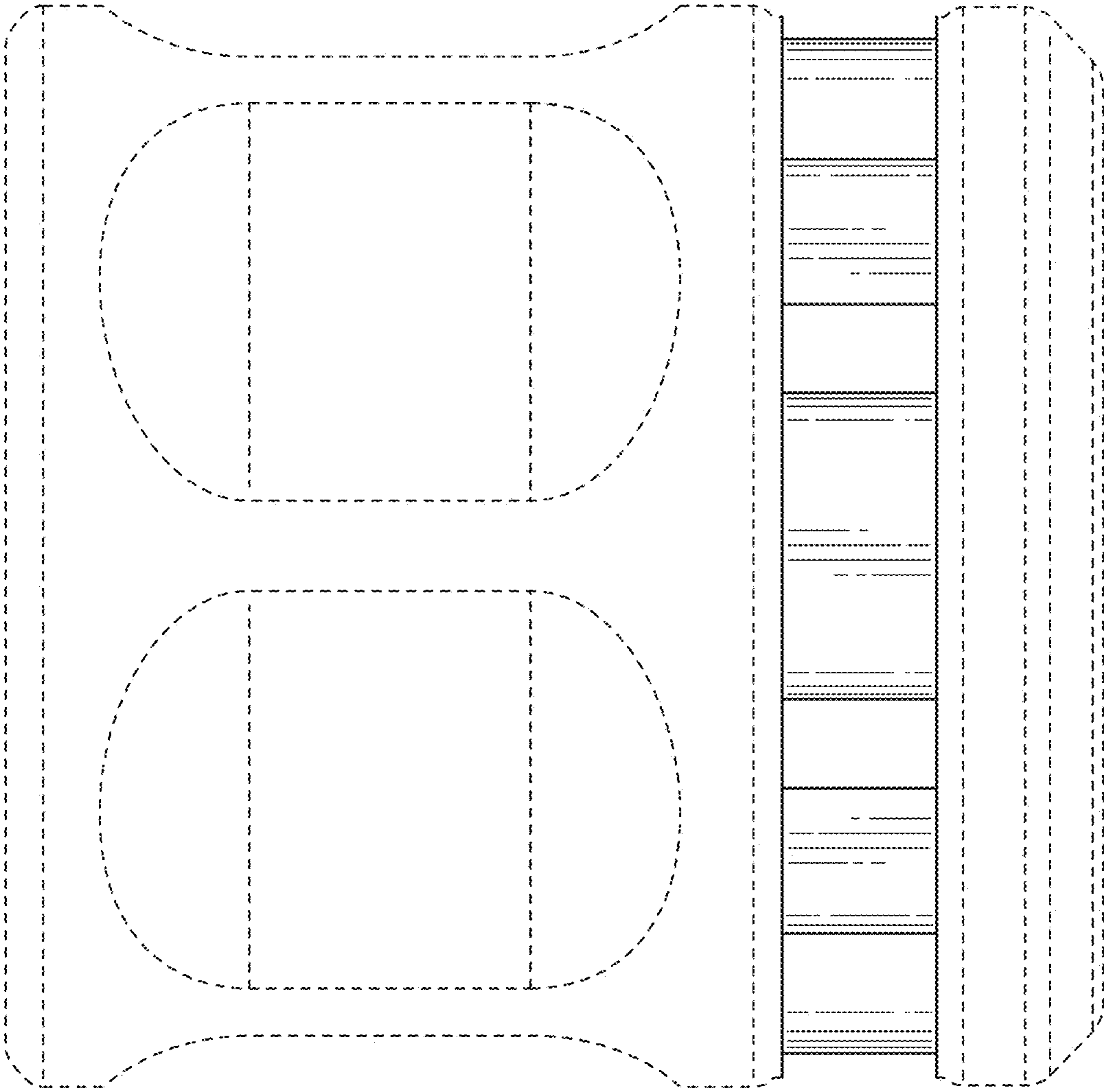


FIG. 7

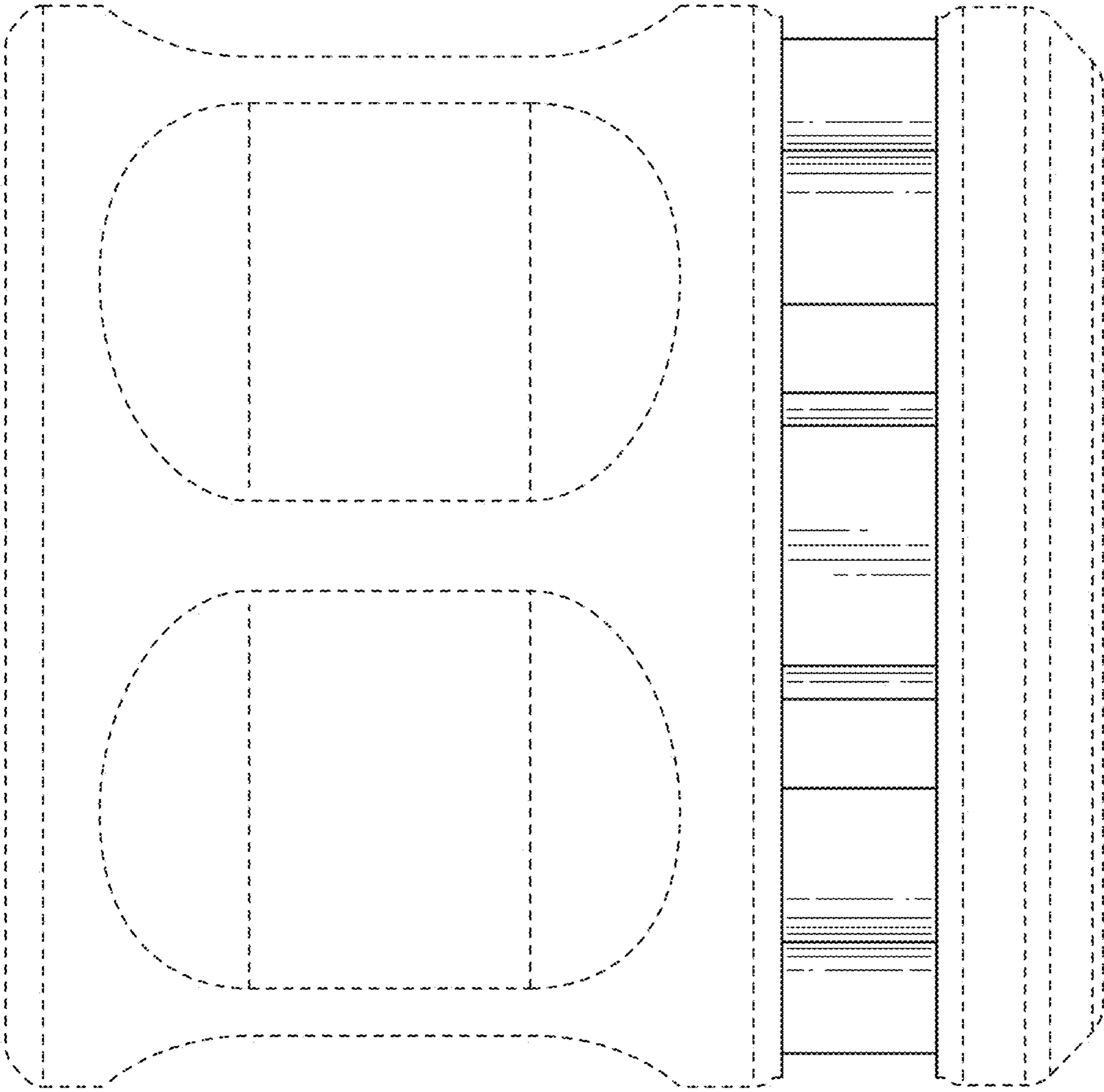


FIG. 8

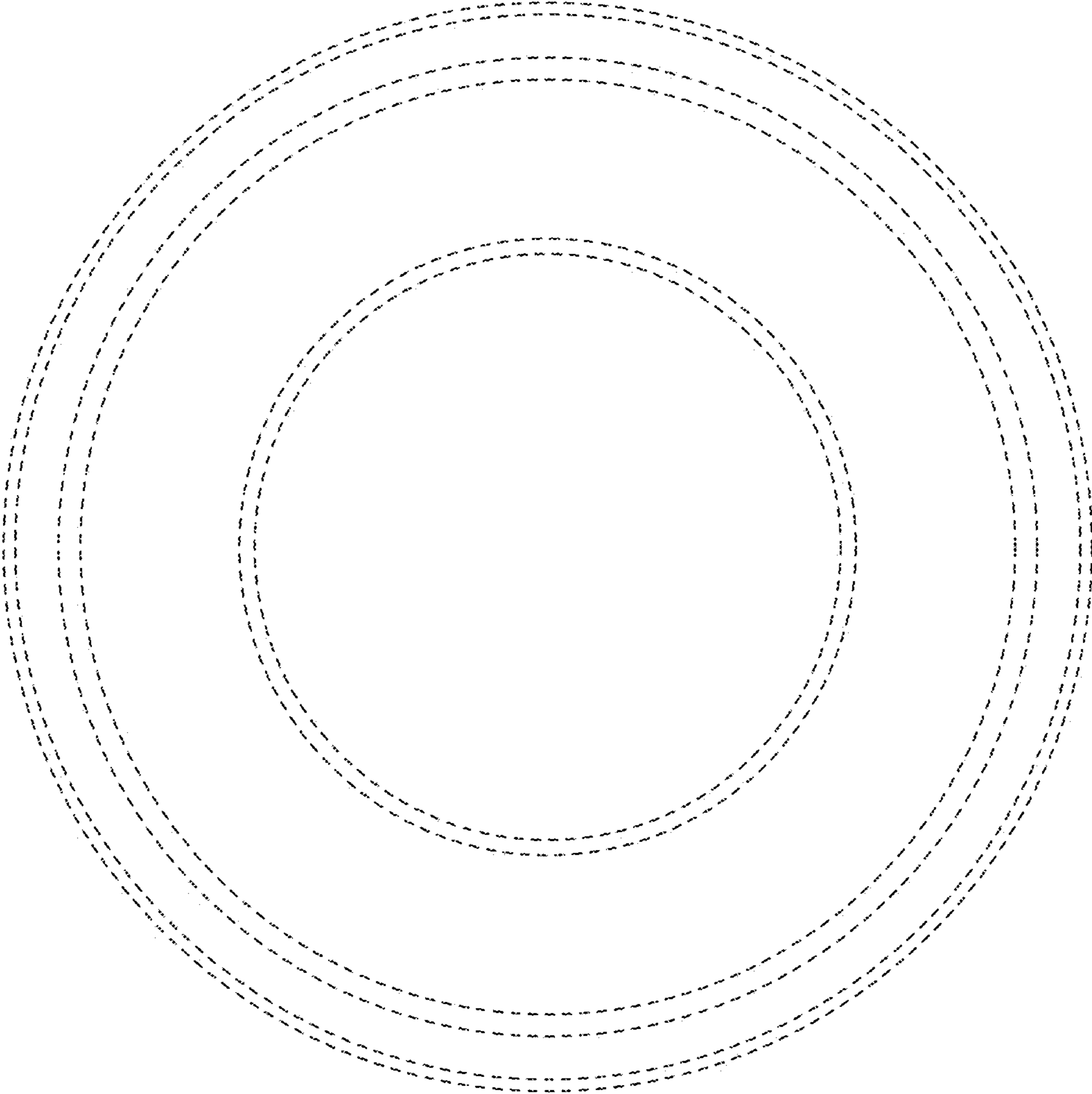


FIG. 9

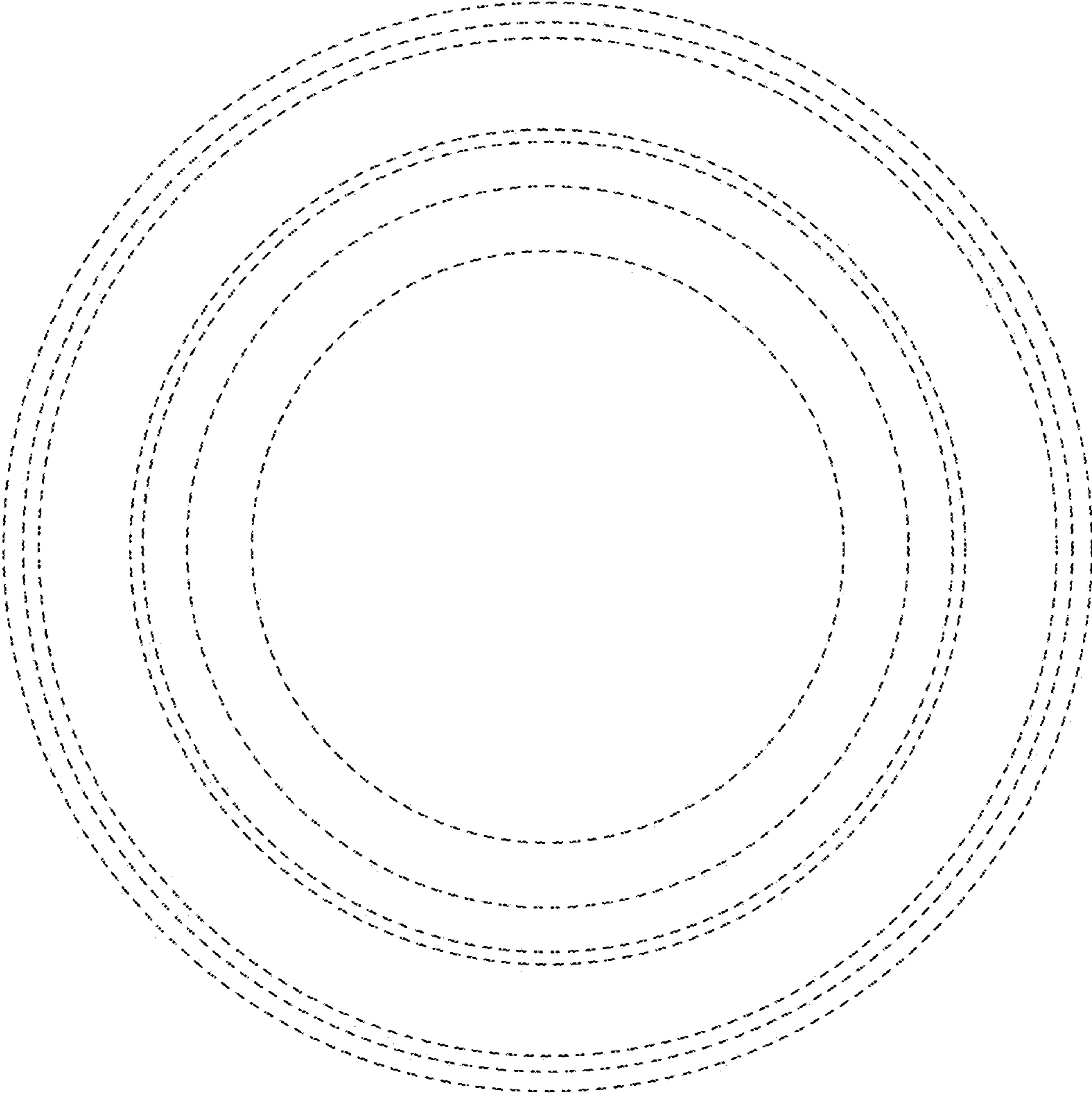


FIG. 10