



US00D883418S

(12) **United States Design Patent** (10) **Patent No.:** **US D883,418 S**
Ball et al. (45) **Date of Patent:** **** May 5, 2020**

(54) **FINGER CONTROLLED GUN SAFETY LOCK**

(71) Applicants: **Danny Ball**, Greeneville, TN (US);
Lorena Ball, Greeneville, TN (US)

(72) Inventors: **Danny Ball**, Greeneville, TN (US);
Lorena Ball, Greeneville, TN (US)

(**) Term: **15 Years**

(21) Appl. No.: **29/651,823**

(22) Filed: **Apr. 11, 2019**

(51) **LOC (12) Cl.** **22-01**

(52) **U.S. Cl.**
USPC **D22/108**; D22/104

(58) **Field of Classification Search**
USPC D22/100, 103, 104, 105, 108, 109, 110,
D22/111, 199; D21/567, 573, 574, 575;
D25/146, 149; D5/27; D9/614;
D14/495

CPC F41C 23/04; F41C 23/08; F41C 23/16;
F41G 1/02; F41G 1/027; F41G 1/06;
F41A 17/46; F41A 19/11

See application file for complete search history.

(56) **References Cited**

U.S. PATENT DOCUMENTS

D600,710 S * 9/2009 LaManna D14/492
D741,889 S * 10/2015 Butcher D14/486
D745,888 S * 12/2015 Lee D14/489
D755,839 S * 5/2016 Caro D14/489
D772,895 S * 11/2016 Lee D14/485
D774,055 S * 12/2016 Lee D14/485

D786,932 S * 5/2017 Kim D14/488
D788,793 S * 6/2017 Ogundokun D14/485
D793,414 S * 8/2017 Ive D14/486
D823,892 S * 7/2018 Huang D14/492
D831,041 S * 10/2018 Anton D14/485
D835,655 S * 12/2018 Chaudhri D14/486
D842,873 S * 3/2019 Hatzikostas D14/486

OTHER PUBLICATIONS

“Fingerprint icons set. Vector.” [online] Alhovich. [Retrieved Dec. 16, 2019]. Retrieved from the Internet: <<https://www.shutterstock.com/image-vector/fingerprint-icons-set-vector-181373846>>.*
“Nine grey fingerprint types detailed vector set” [online] La Gorda. [Retrieved Dec. 16, 2019]. Retrieved from the Internet: <<https://www.shutterstock.com/image-vector/nine-grey-fingerprint-types-detailed-vector-519012124>>.*

* cited by examiner

Primary Examiner — Khawaja Anwar
Assistant Examiner — Mojtaba Tehrani
(74) *Attorney, Agent, or Firm* — Paul R. Martin

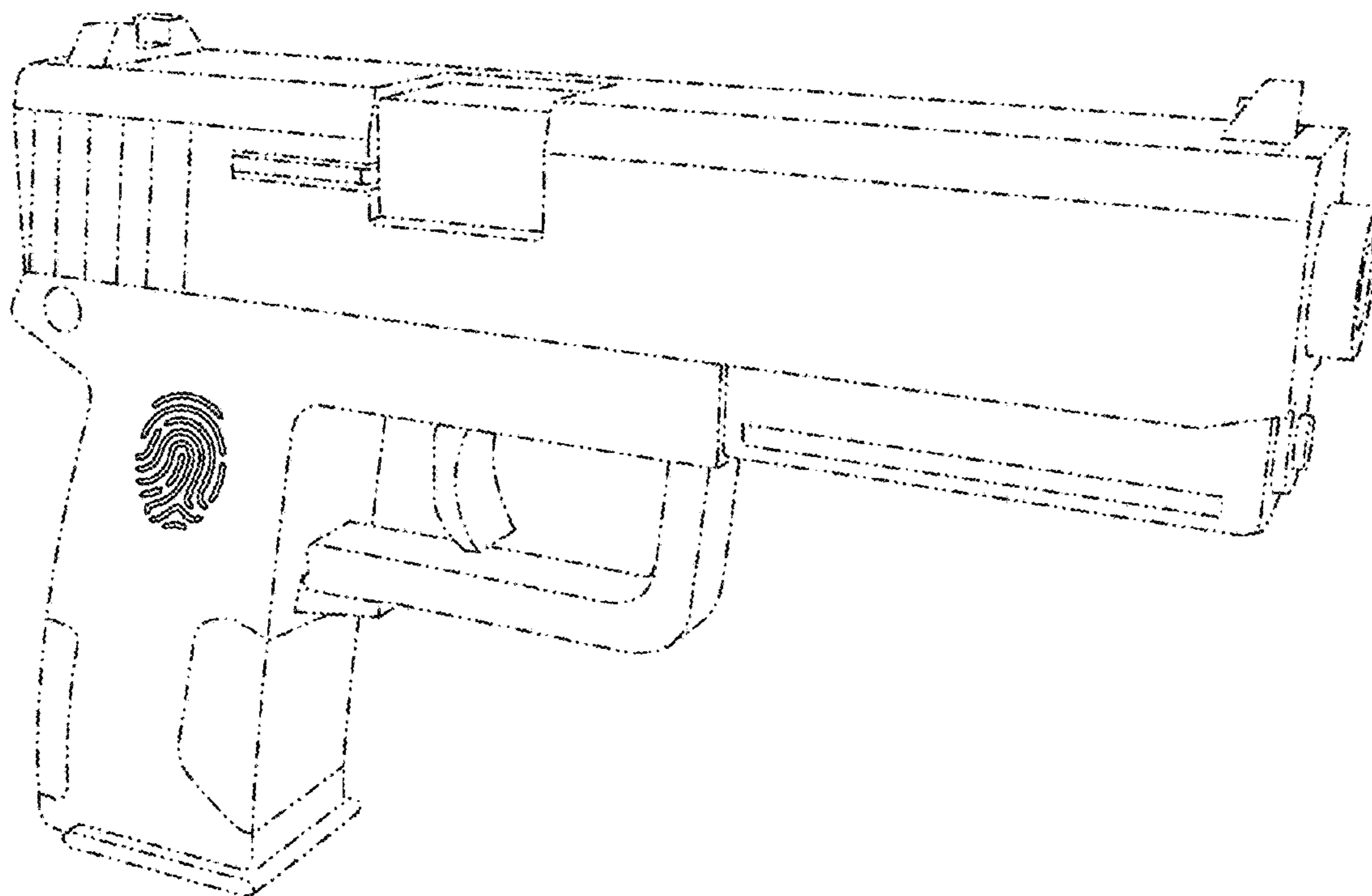
(57) **CLAIM**

The ornamental design for a finger controlled gun safety lock, as shown and described.

DESCRIPTION

FIG. 1 is a left side perspective view of a finger controlled gun safety lock, showing our new design. FIG. 2 is a left side elevational view thereof; and, FIG. 3 is a right side elevational view thereof. The broken lines in the figures illustrate environmental subject matter that form no part of the claimed design.

1 Claim, 3 Drawing Sheets



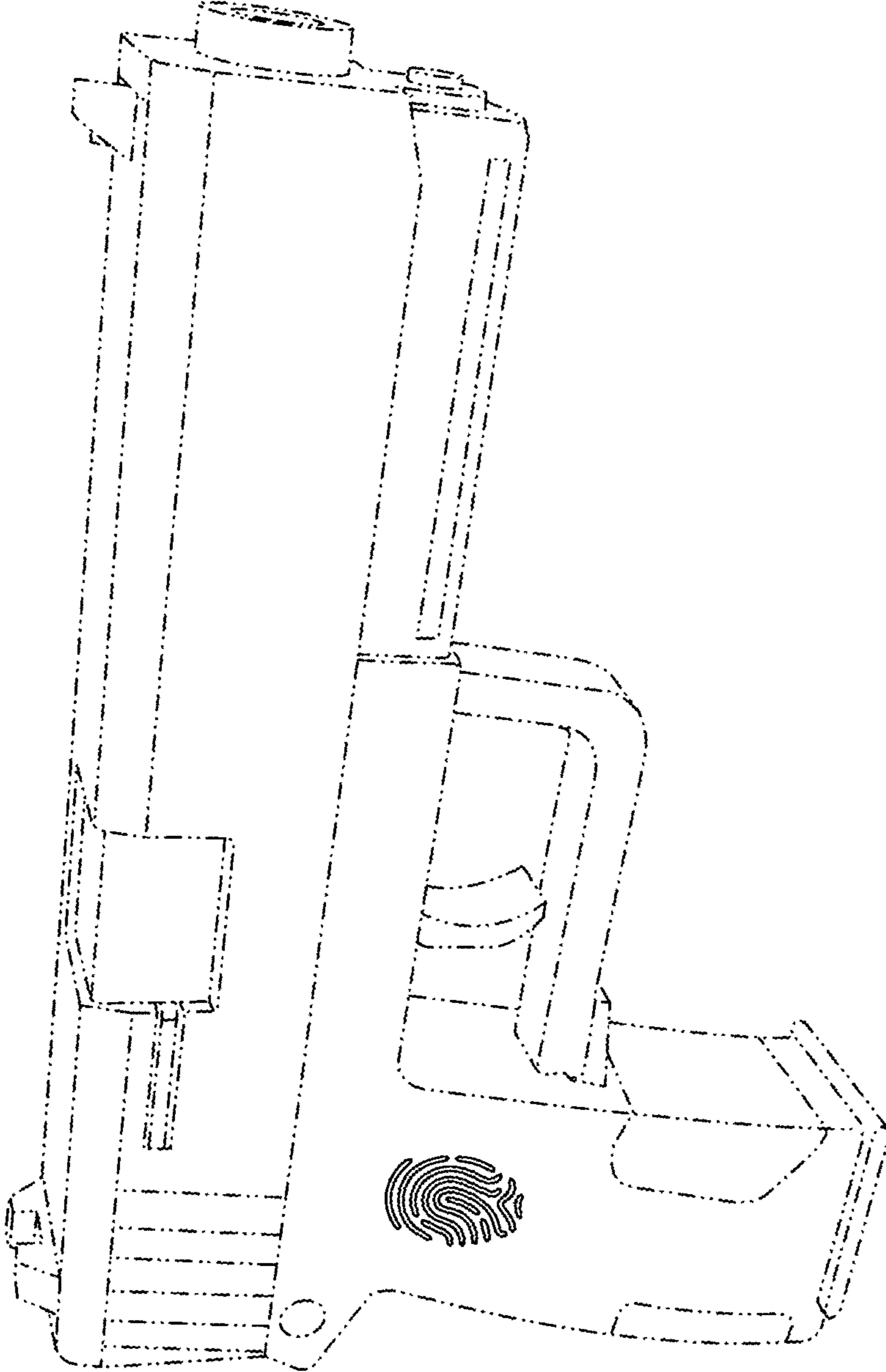


FIG.1

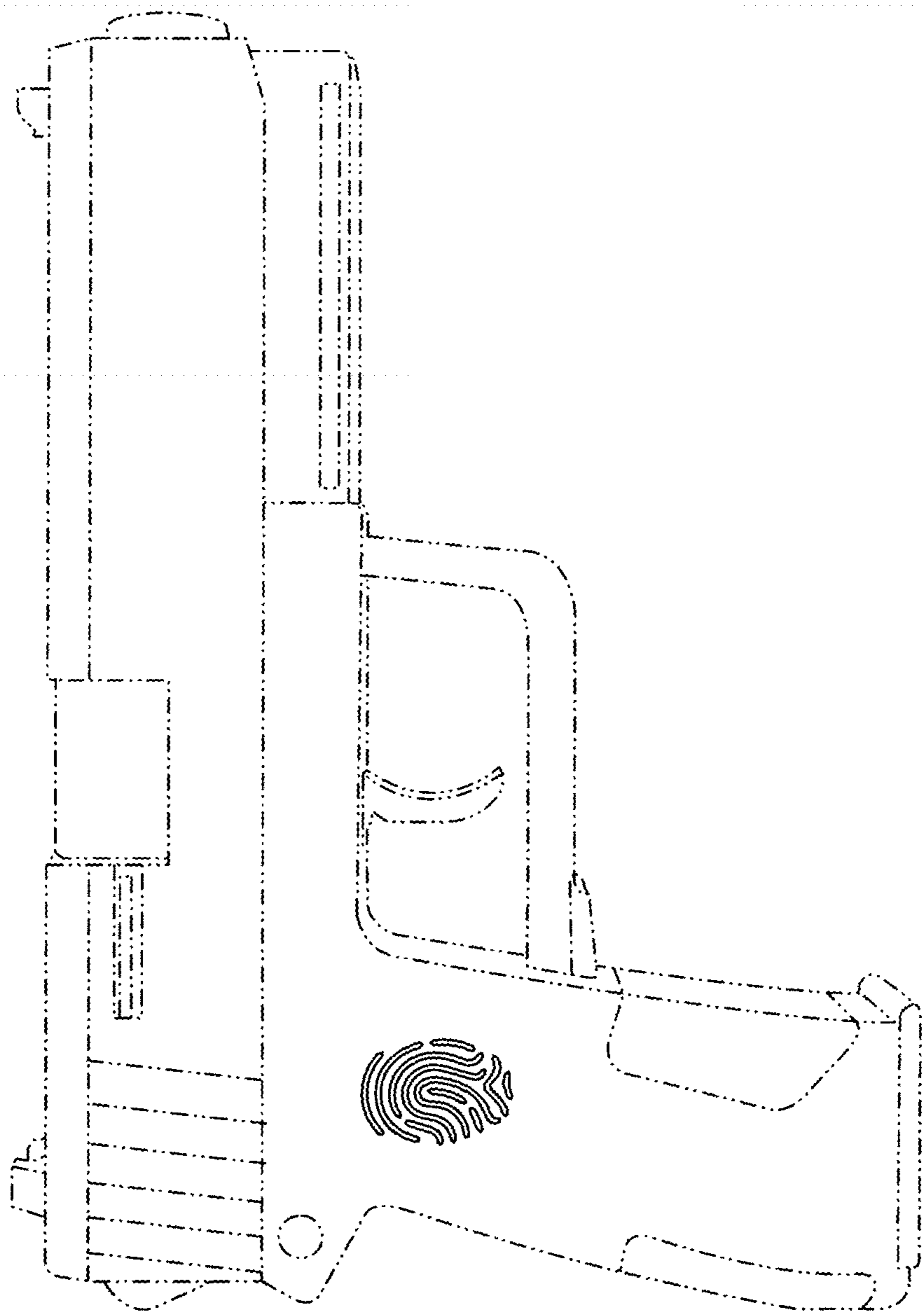


FIG.2

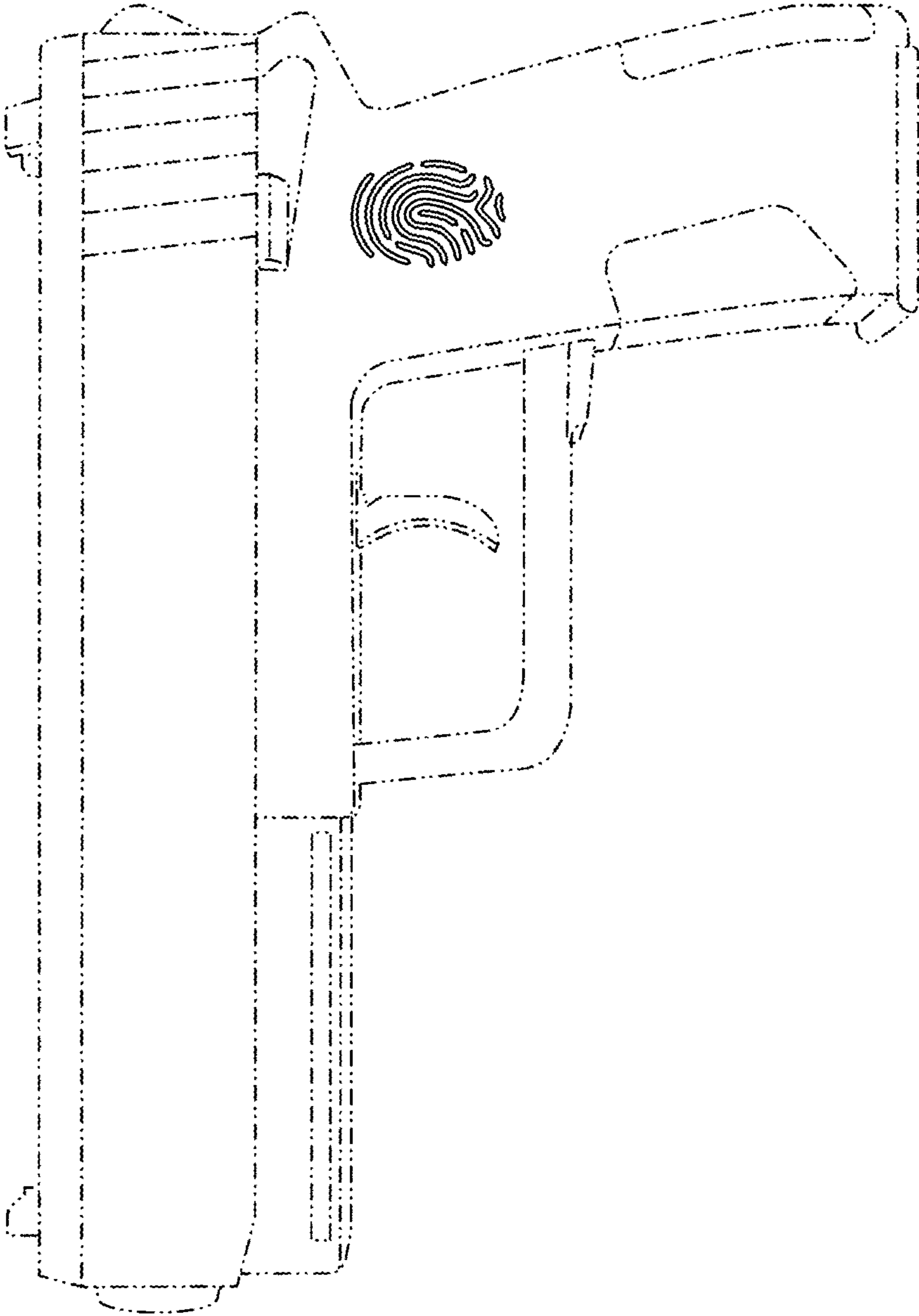


FIG.3