



US00D883415S

(12) **United States Design Patent** (10) **Patent No.:** **US D883,415 S**
Noonan (45) **Date of Patent:** **** May 5, 2020**

(54) **FOREARM-GRIPPING STABILIZING ATTACHMENT**

(71) Applicant: **F.M. Products Inc**, Boise, ID (US)

(72) Inventor: **Paul T. Noonan**, Boise, ID (US)

(73) Assignee: **F.M. Products Inc.**, Boise, ID (US)

(**) Term: **15 Years**

(21) Appl. No.: **29/634,371**

(22) Filed: **Jan. 21, 2018**

(51) **LOC (12) Cl.** **22-01**

(52) **U.S. Cl.**
USPC **D22/108**

(58) **Field of Classification Search**
USPC D22/104–105, 107–110, 199;
D21/571–575

CPC F41C 23/06; F41C 23/12; F41C 23/14;
F41C 23/16; F41C 27/22; F41C 33/001
See application file for complete search history.

(56) **References Cited**

U.S. PATENT DOCUMENTS

| | | | | |
|----------------|---------|-------------|-------|------------|
| D706,896 S * | 6/2014 | Bosco | | D22/108 |
| D728,724 S * | 5/2015 | Bosco | | D22/108 |
| D745,941 S * | 12/2015 | Bosco | | D22/108 |
| D753,782 S * | 4/2016 | Vazquez | | D22/108 |
| D764,622 S * | 8/2016 | Bosco | | D22/108 |
| D769,396 S * | 10/2016 | Keller, II | | D22/108 |
| D771,765 S * | 11/2016 | Ewer | | D22/108 |
| D774,618 S * | 12/2016 | Bosco | | D22/108 |
| D780,279 S * | 2/2017 | Bosco | | D22/108 |
| 9,664,477 B1 * | 5/2017 | Reavis | | F41C 27/22 |
| D796,617 S * | 9/2017 | Chow | | D22/108 |
| D817,437 S * | 5/2018 | Hancosky | | D22/109 |
| D824,476 S * | 7/2018 | Bosco | | D22/108 |
| D836,746 S * | 12/2018 | Tyrone | | D22/108 |
| D844,736 S * | 4/2019 | Tipton | | D22/108 |
| D854,110 S * | 7/2019 | Reavis, III | | D22/108 |
| D865,898 S * | 11/2019 | Windfeldt | | D22/108 |

(Continued)

OTHER PUBLICATIONS

SB47 Stabilizer, posted at CNC Warrior, posting date May 22, 2015.
[Site visited Nov. 8, 2018] URL: <https://web.archive.org/web/20150522121444/https://www.cncwarrior.com/SB47-Stabilizer-Stabilizing-Brace-for-AK47-p/26522.htm> (Year: 2015).*

(Continued)

Primary Examiner — Kevin K Rudzinski
Assistant Examiner — Kathleen L Jones

(57) **CLAIM**

I claim ornamental design for a forearm-gripping stabilizing attachment, as shown and described.

DESCRIPTION

FIG. 1 is a front right-side perspective view of the forearm-gripping stabilizing attachment according to the present invention;

FIG. 2 is a rear left-side perspective view of the forearm-gripping stabilizing attachment of FIG. 1;

FIG. 3 is a left-side view of a forearm-gripping stabilizing attachment of FIG. 1;

FIG. 4 is a right-side view of the forearm-gripping stabilizing attachment of FIG. 1;

FIG. 5 is a front view of the forearm-gripping stabilizing attachment of FIG. 1;

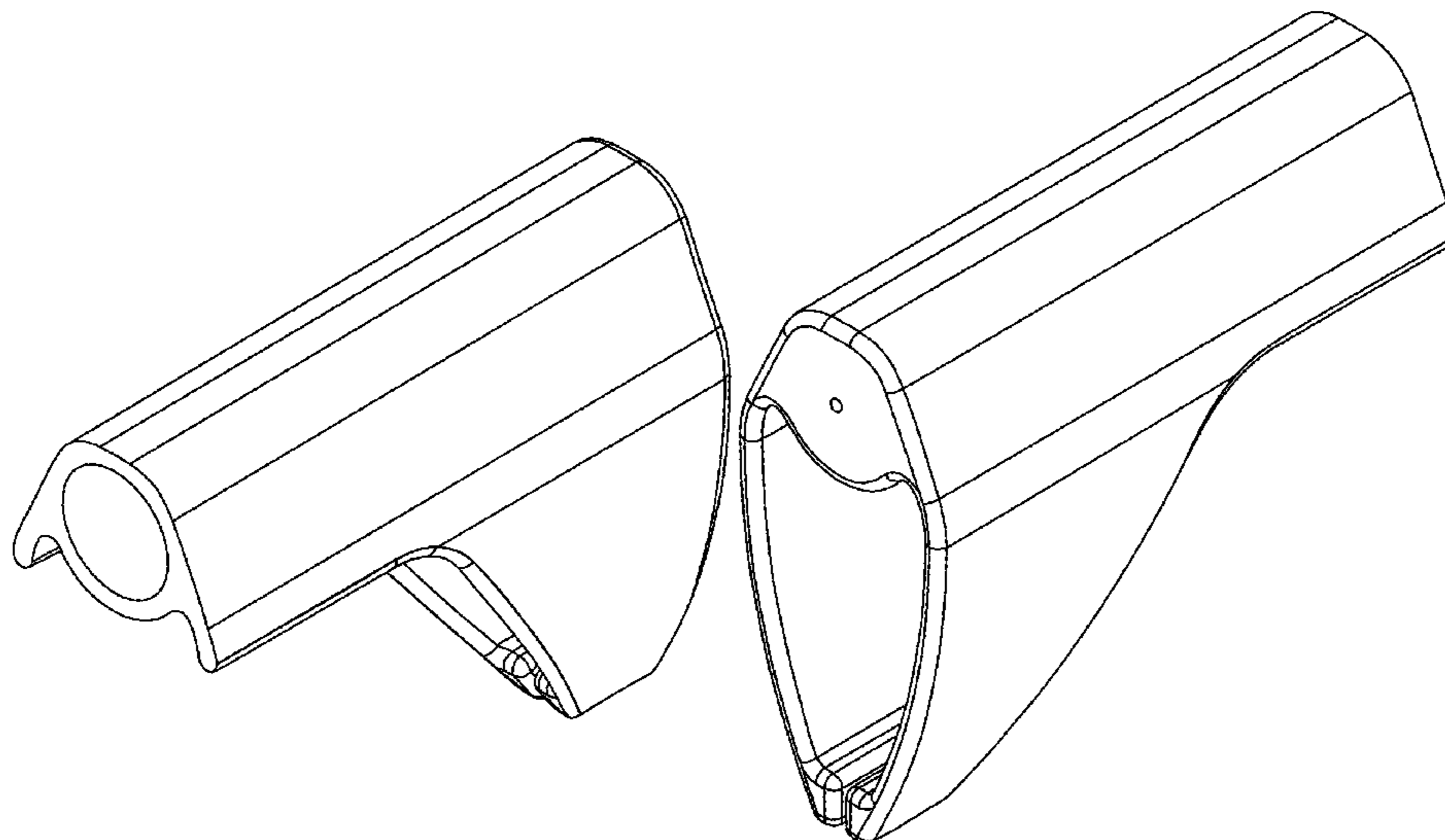
FIG. 6 is a rear view of the forearm-gripping stabilizing attachment of FIG. 1;

FIG. 7 is a top view of the forearm-gripping stabilizing attachment of FIG. 1; and,

FIG. 8 is a bottom view of the forearm-gripping stabilizing attachment of FIG. 1.

The broken lines shown in FIG. 5 depict portions of the forearm-gripping stabilizing attachment that form no part of the claimed design.

1 Claim, 8 Drawing Sheets



(56)

References Cited

U.S. PATENT DOCUMENTS

2014/0144061 A1* 5/2014 Bosco F41C 33/001
42/94
2019/0257613 A1* 8/2019 Burkhardt, III F41C 23/12

OTHER PUBLICATIONS

N8Gunner, images of firearm with stabilizing attachment, posted at AR15 Forums, posting date May 4, 2013. [Site visited Nov. 8, 2018]
URL: <https://www.ar15.com/forums/general/_ARCHIVED_THREAD_So_I_bought_one_of_those_Sig_AR_pistol_stabilizers_Pics_/5-1479716/&page=2> (Year: 2013).*

* cited by examiner

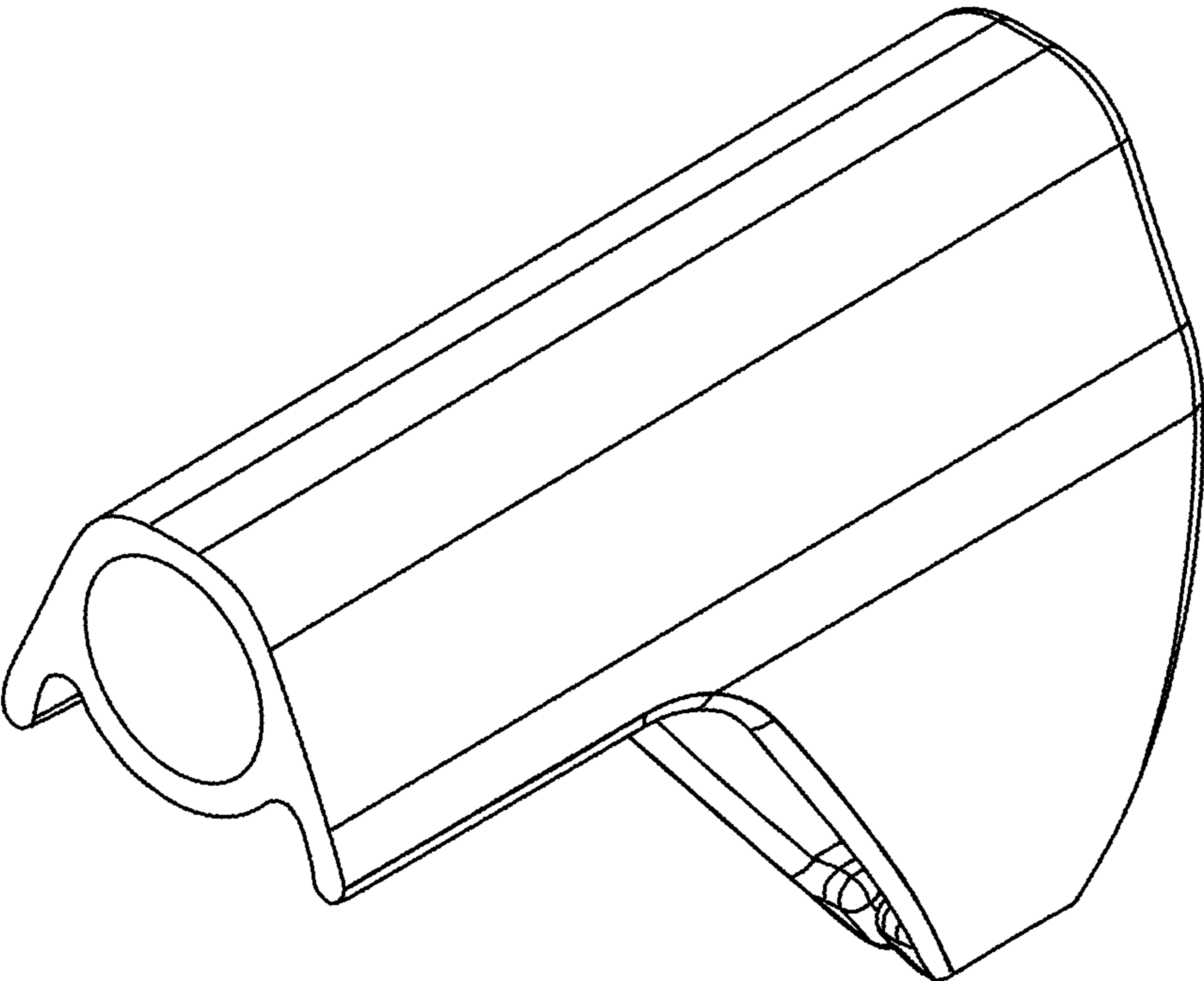


FIG. 1

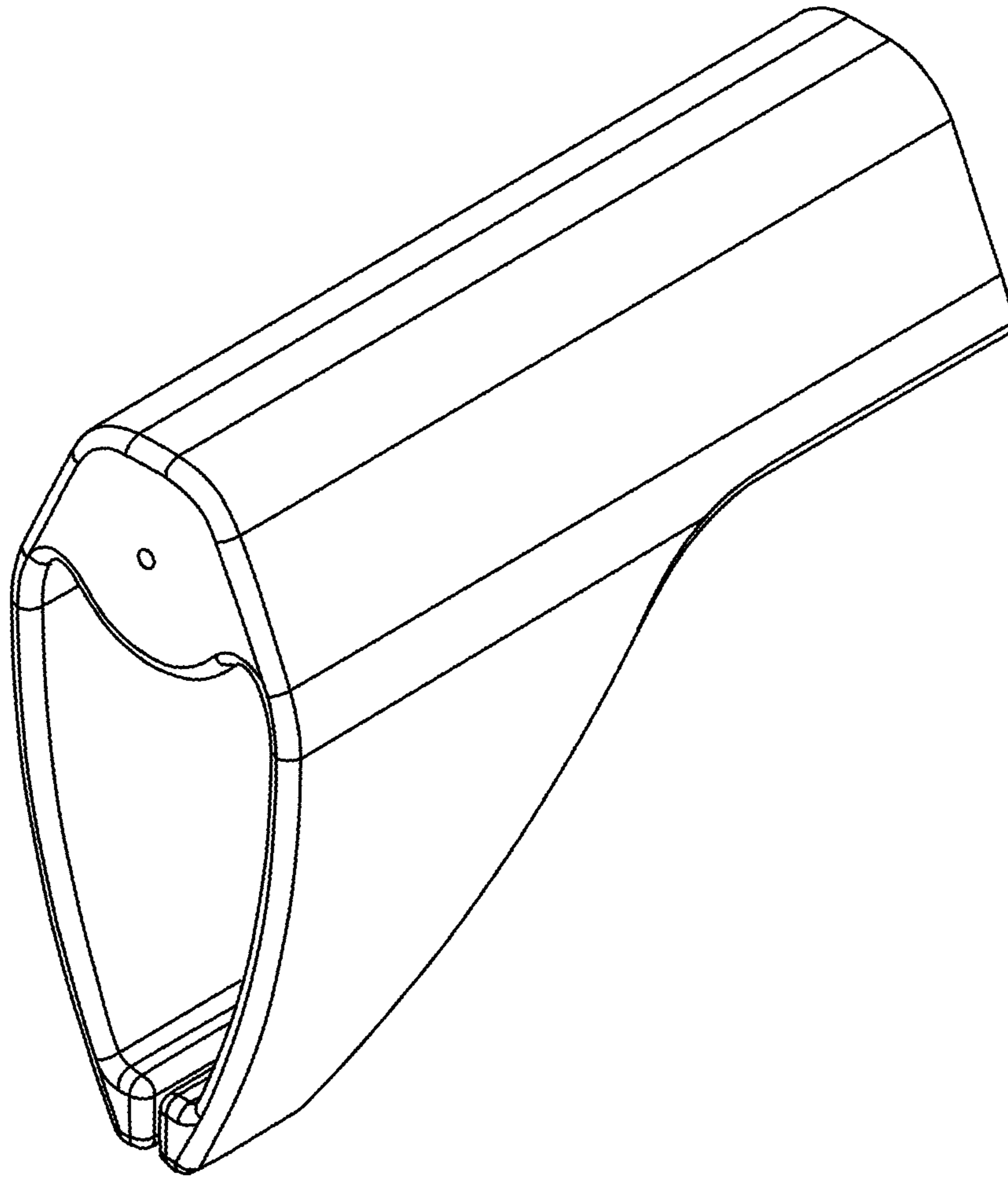


FIG. 2

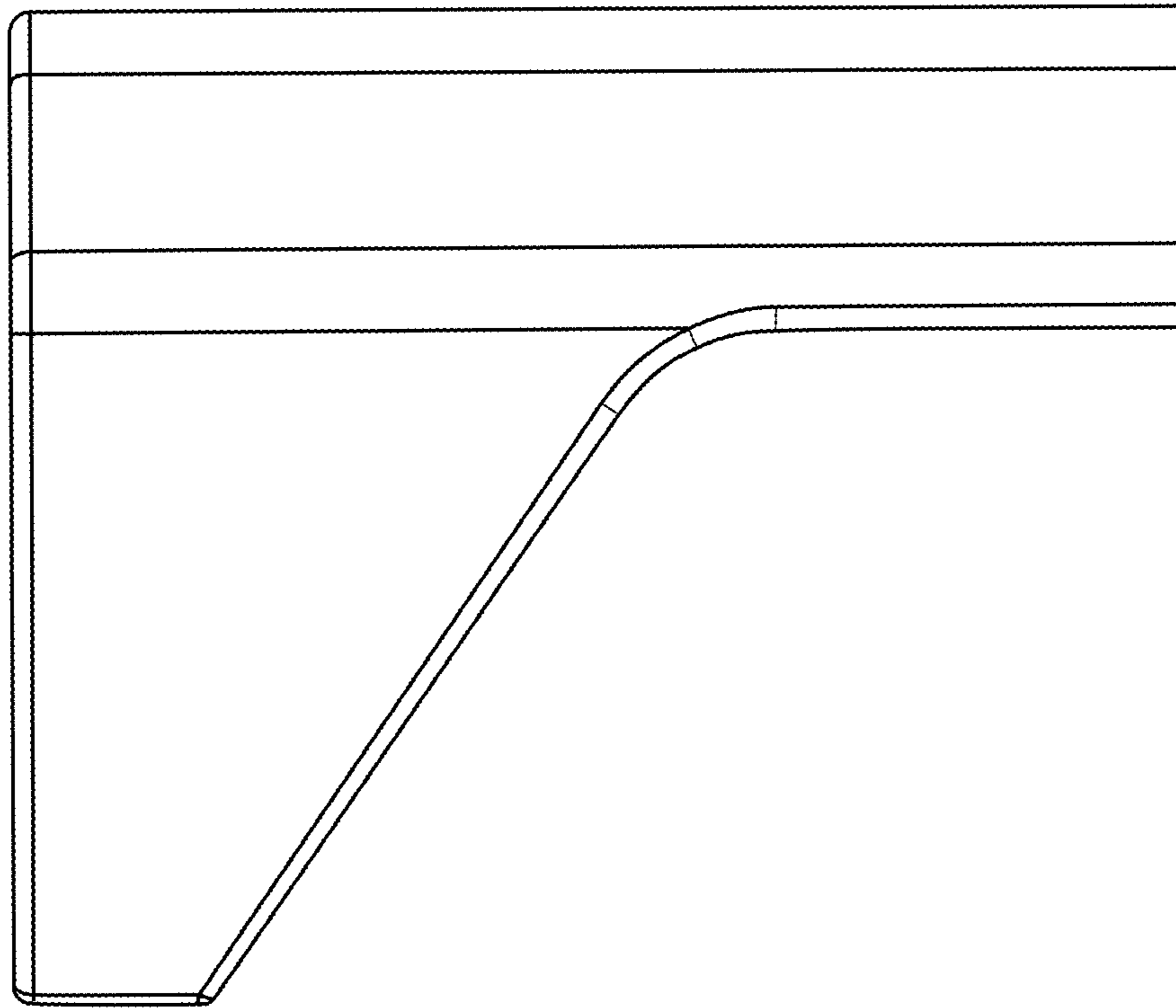


FIG. 3

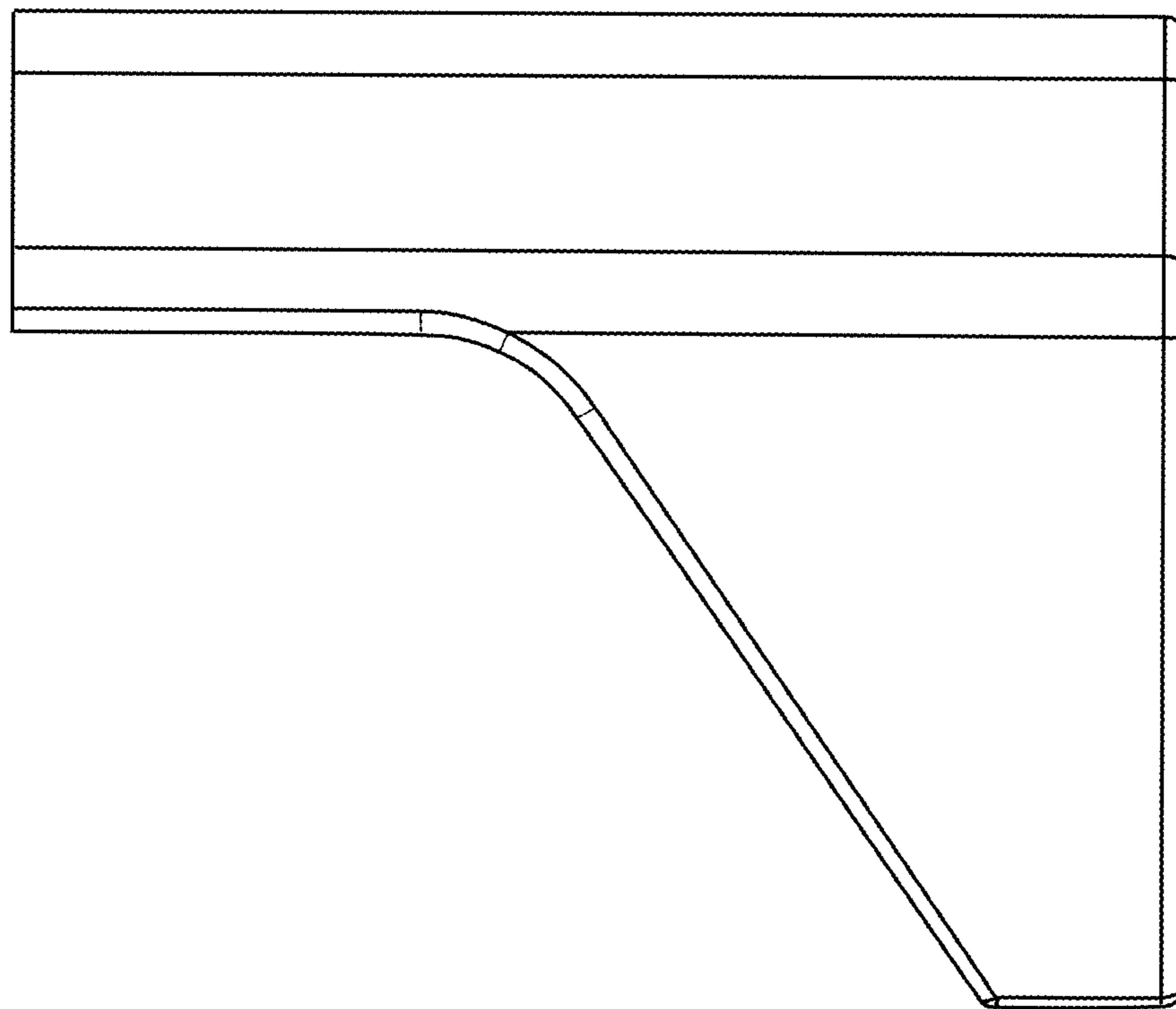


FIG. 4

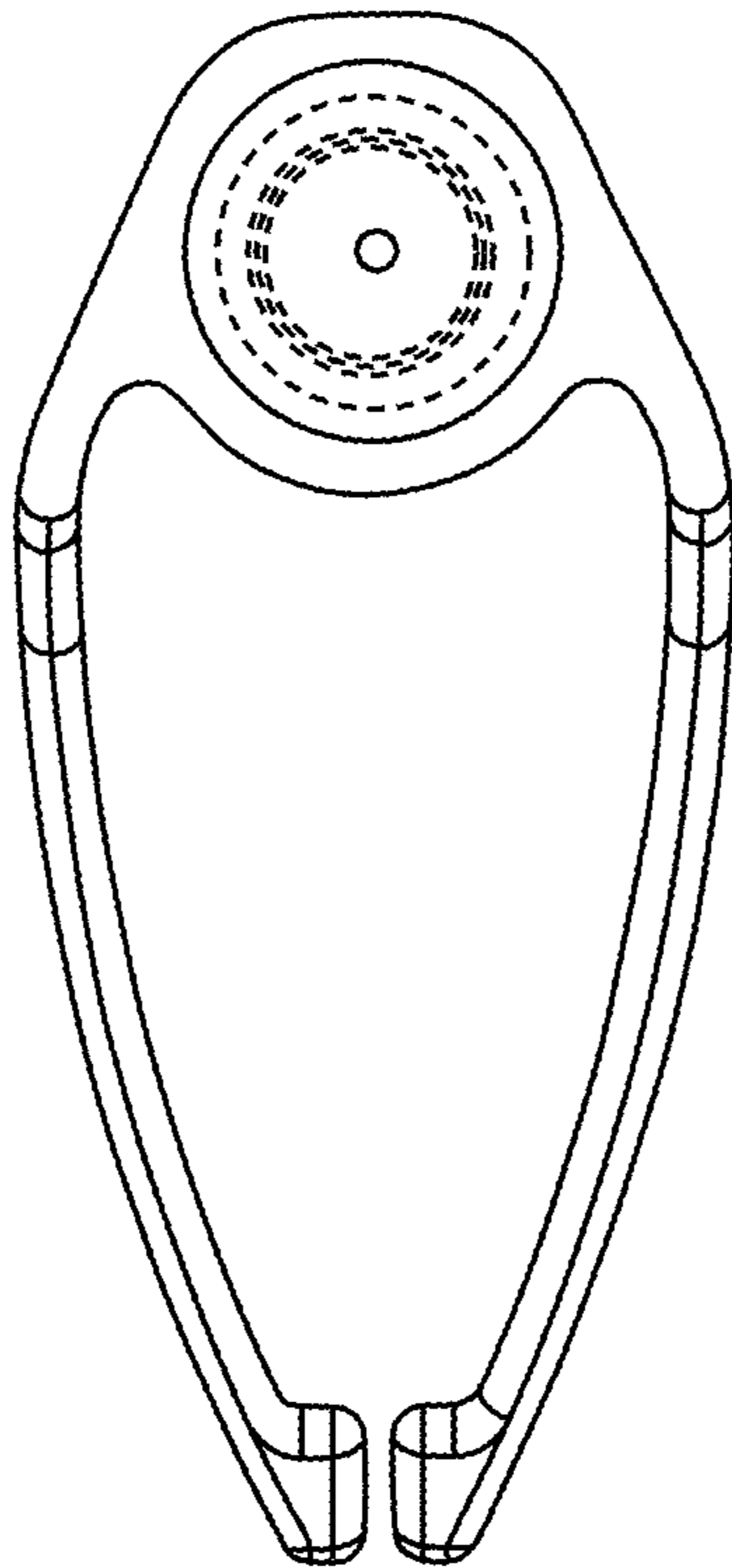


FIG. 5

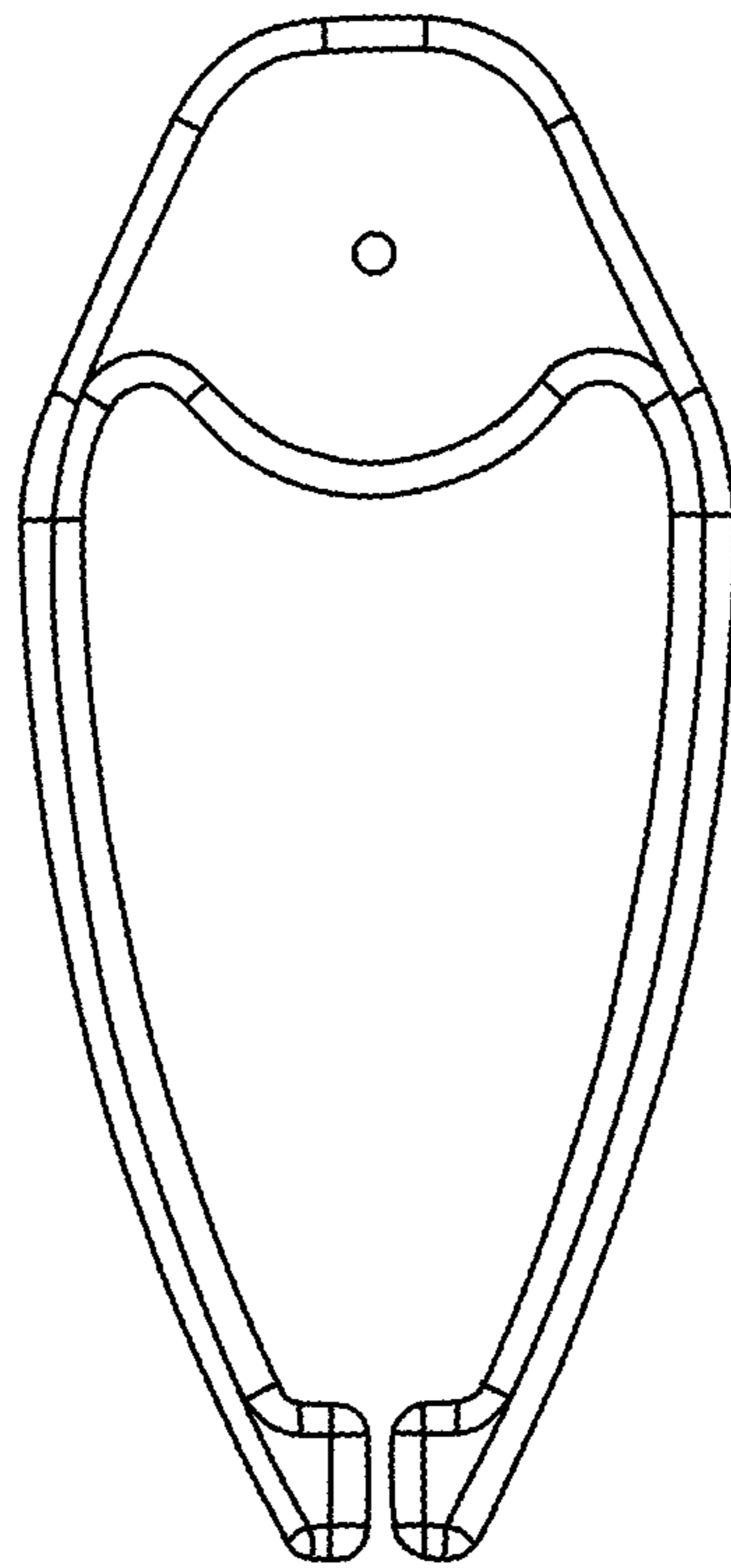


FIG. 6

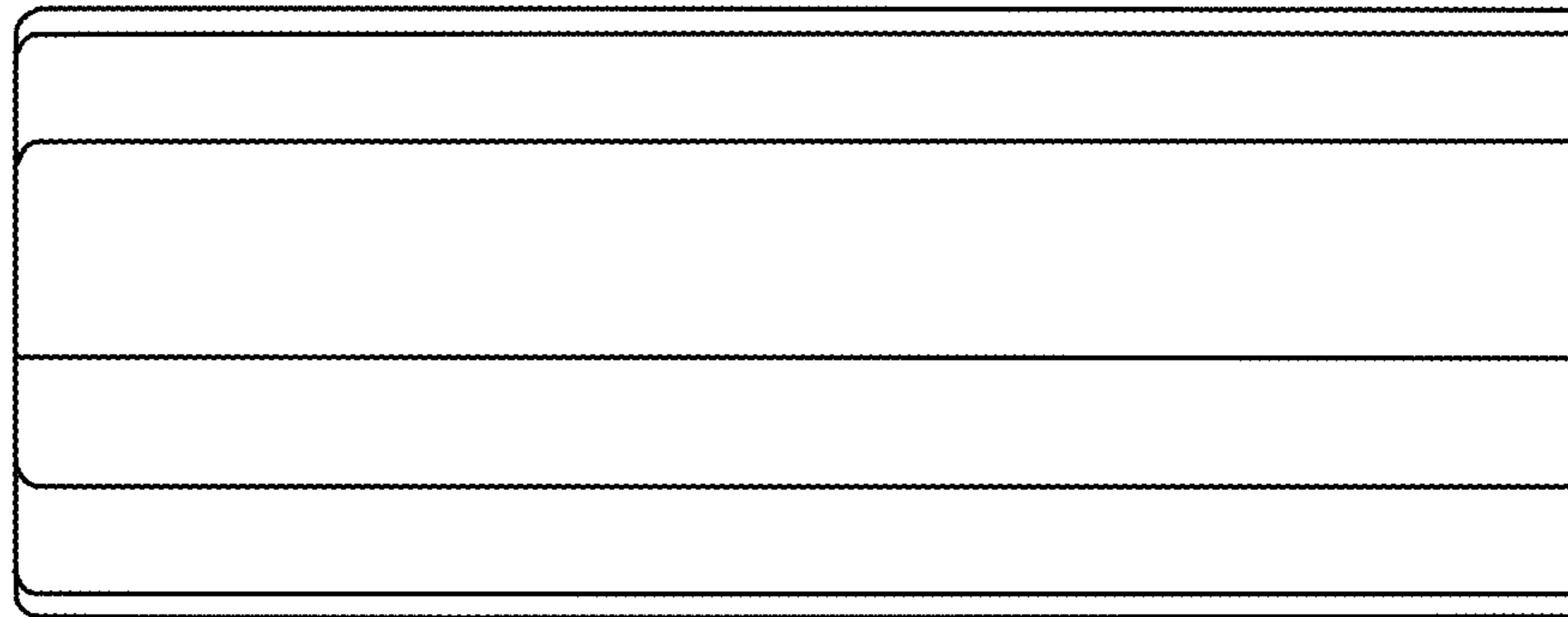


FIG. 7

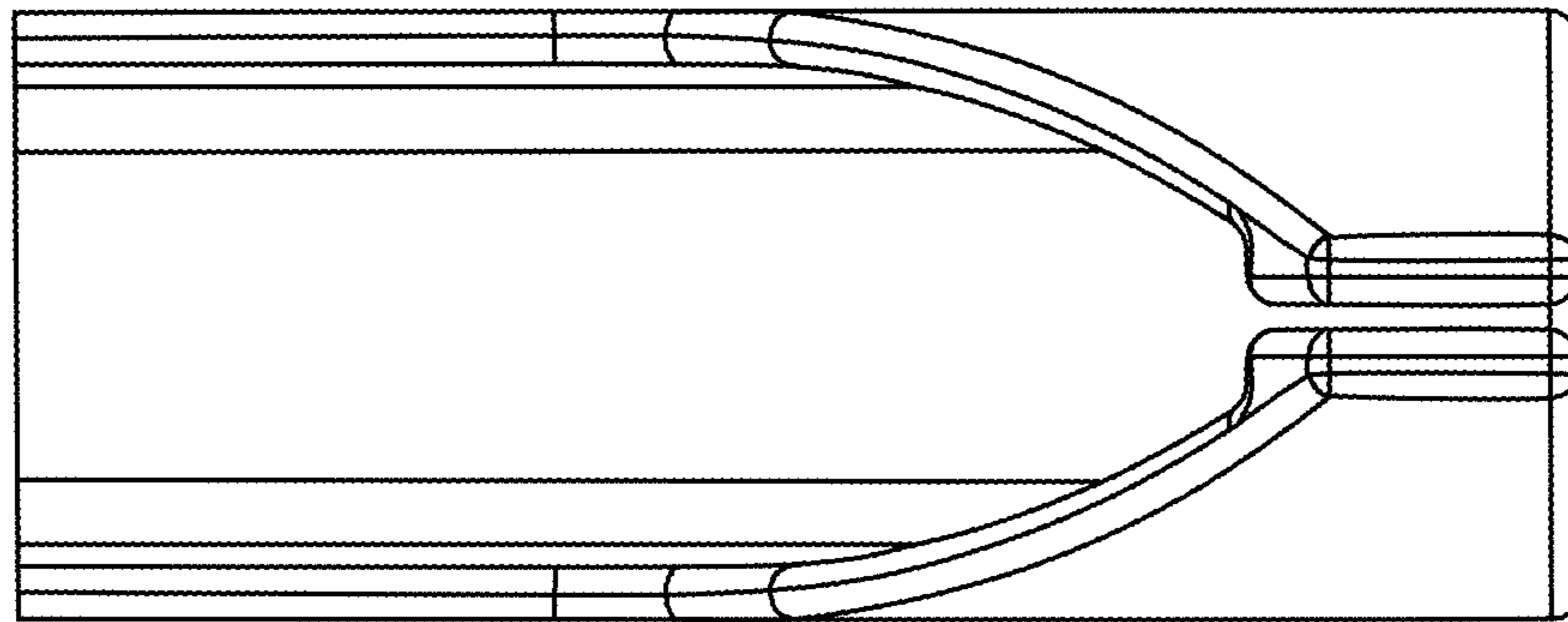


FIG. 8