



US00D883413S

(12) **United States Design Patent** (10) **Patent No.:** **US D883,413 S**
Wilson et al. (45) **Date of Patent:** **** May 5, 2020**

(54) **HANDGUN SLIDE**
(71) Applicant: **Wilson's Gun Shop, Inc**, Berryville, AR (US)
(72) Inventors: **Billy James Wilson**, Berryville, AR (US); **Paul T. Noonan**, Boise, ID (US); **Aaron Neal Trout**, Berryville, AR (US); **Brent David Boyer**, Berryville, AR (US)
(73) Assignee: **Wilson's Gun Shop, Inc**, Berryville, AR (US)

D690,374 S * 9/2013 Lee D21/574
D702,308 S * 4/2014 Glock D22/108
D729,895 S * 5/2015 Porat D22/108
D732,629 S * 6/2015 Wolf D22/108
D744,049 S * 11/2015 Chu D21/574
D754,802 S * 4/2016 Martelli D21/574
D755,907 S * 5/2016 Hu D21/574
D758,519 S * 6/2016 Toner D22/108
D777,871 S * 1/2017 Niswander D22/108
D777,872 S * 1/2017 Wolf D22/108
D784,479 S * 4/2017 Niswander D22/108
D791,262 S * 7/2017 Brown D22/104
D800,243 S * 10/2017 Niswander D22/108
D808,487 S * 1/2018 Beville D22/104
D815,233 S * 4/2018 Toner D22/104

(Continued)

(**) Term: **15 Years**

(21) Appl. No.: **29/614,205**

(22) Filed: **Aug. 16, 2017**

(51) **LOC (12) Cl.** **22-01**

(52) **U.S. Cl.**
USPC **D22/108**; D22/104; D21/574

(58) **Field of Classification Search**
USPC D22/100, 101, 103, 106, 108, 109, 110, D22/111, 117, 199; D21/300, 301, 570, D21/573, 574, 575
CPC F41B 5/14; F41B 5/00; F41C 27/00; F41C 23/14; F41C 23/06; F41C 3/00; F41C 7/00; F41C 23/20; F41C 23/08; F41C 23/10; F41G 11/003; F41G 1/18; F41G 1/38; F41G 1/545
See application file for complete search history.

(56) **References Cited**

U.S. PATENT DOCUMENTS

D346,196 S * 4/1994 Ruger D22/108
7,111,621 B2 * 9/2006 Lin F41B 11/62
124/74
D676,094 S * 2/2013 Hu D21/574
D681,131 S * 4/2013 Su D21/574
D688,764 S * 8/2013 Yigit D22/104

OTHER PUBLICATIONS

<https://www.youtube.com/watch?v=MsFvNPW9SHA>—Published on Mar. 6, 2017.*

(Continued)

Primary Examiner — Khawaja Anwar
Assistant Examiner — Mojtaba Tehrani

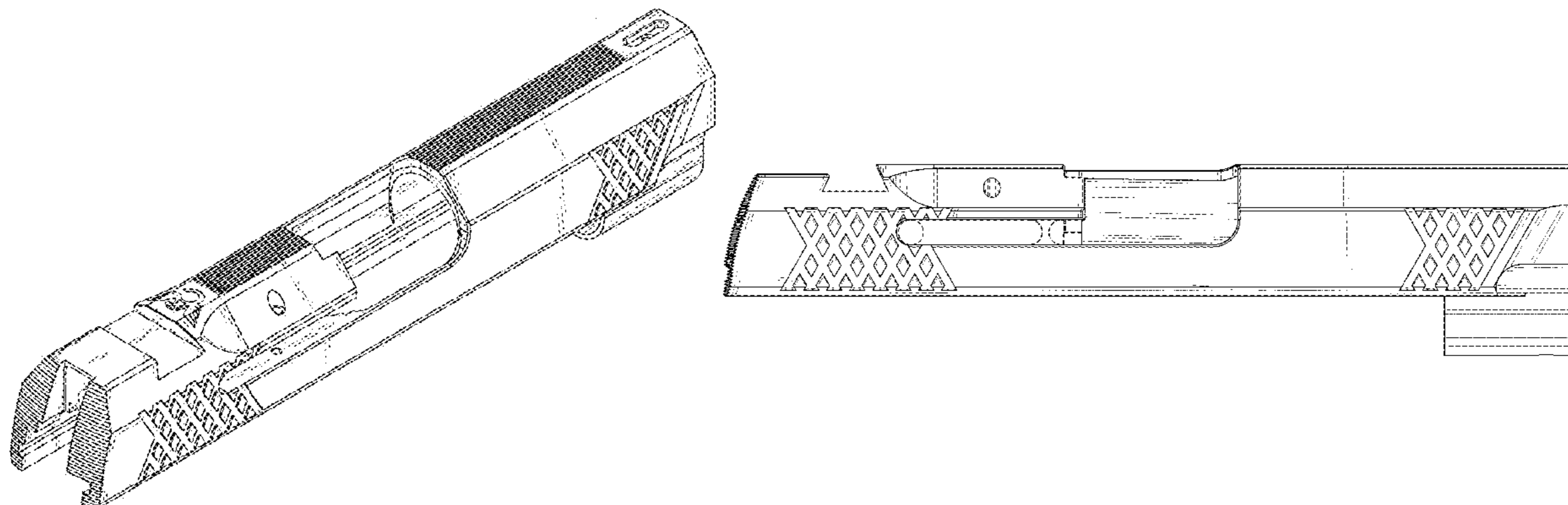
(57) **CLAIM**

We claim ornamental design for a handgun slide, as shown and described.

DESCRIPTION

FIG. 1 is a perspective view of a handgun slide showing our new design;
FIG. 2 is a front view thereof;
FIG. 3 is a rear view thereof;
FIG. 4 is a right-side view thereof;
FIG. 5 is a left-side view thereof;
FIG. 6 is a top view thereof; and,
FIG. 7 is a bottom view thereof.
The broken line in the drawings depicts unclaimed subject matter that forms no part of the claimed design.

1 Claim, 7 Drawing Sheets



(56)

References Cited

U.S. PATENT DOCUMENTS

9,970,727 B2 * 5/2018 Niswander F41A 21/36
 D823,969 S * 7/2018 Beville D22/104
 D824,478 S * 7/2018 Shelton D22/108
 2004/0049963 A1 * 3/2004 Christiansen F41C 23/10
 42/71.02
 2005/0011349 A1 * 1/2005 Rohrbaugh F41A 5/04
 89/147
 2005/0188585 A1 * 9/2005 Vicate F41C 3/00
 42/71.01
 2006/0096147 A1 * 5/2006 Gussalli Beretta F41C 23/10
 42/71.02
 2010/0154279 A1 * 6/2010 Polyzos F41C 23/10
 42/117
 2011/0167698 A1 * 7/2011 Hoguc F41C 23/10
 42/71.02
 2014/0053445 A1 * 2/2014 Wolf F41A 3/12
 42/14
 2014/0165442 A1 * 6/2014 Nebeker F41A 3/64
 42/16
 2014/0196337 A1 * 7/2014 Bandini F41A 3/44
 42/16

2014/0338522 A1 * 11/2014 Bellione F41A 3/12
 89/139
 2014/0360071 A1 * 12/2014 Savitsky F41A 3/66
 42/16
 2015/0121738 A1 * 5/2015 Zajk F41C 23/16
 42/90
 2016/0047613 A1 * 2/2016 Hudson, III F41A 3/86
 42/14
 2016/0320154 A1 * 11/2016 Krieger F41A 17/64
 2017/0045319 A1 * 2/2017 Ramey F41A 3/66
 2017/0184366 A1 * 6/2017 Zajk F41A 17/56
 2017/0227310 A1 * 8/2017 Gorza F41A 9/53

OTHER PUBLICATIONS

<https://taskandpurpose.com/wilson-combats-new-handgun-combines-modern-design-classic-features/>—Published Mar. 7, 2017.*
<https://www.ammoland.com/2016/02/sti-international-introduces-the-new-guardian-2011-pistol/#axzz5Ore319jm>—Published Feb. 22, 2016.*
<https://pistol-forum.com/showthread.php?6979-Custom-2011-build>—Published Feb. 9, 2013.*

* cited by examiner

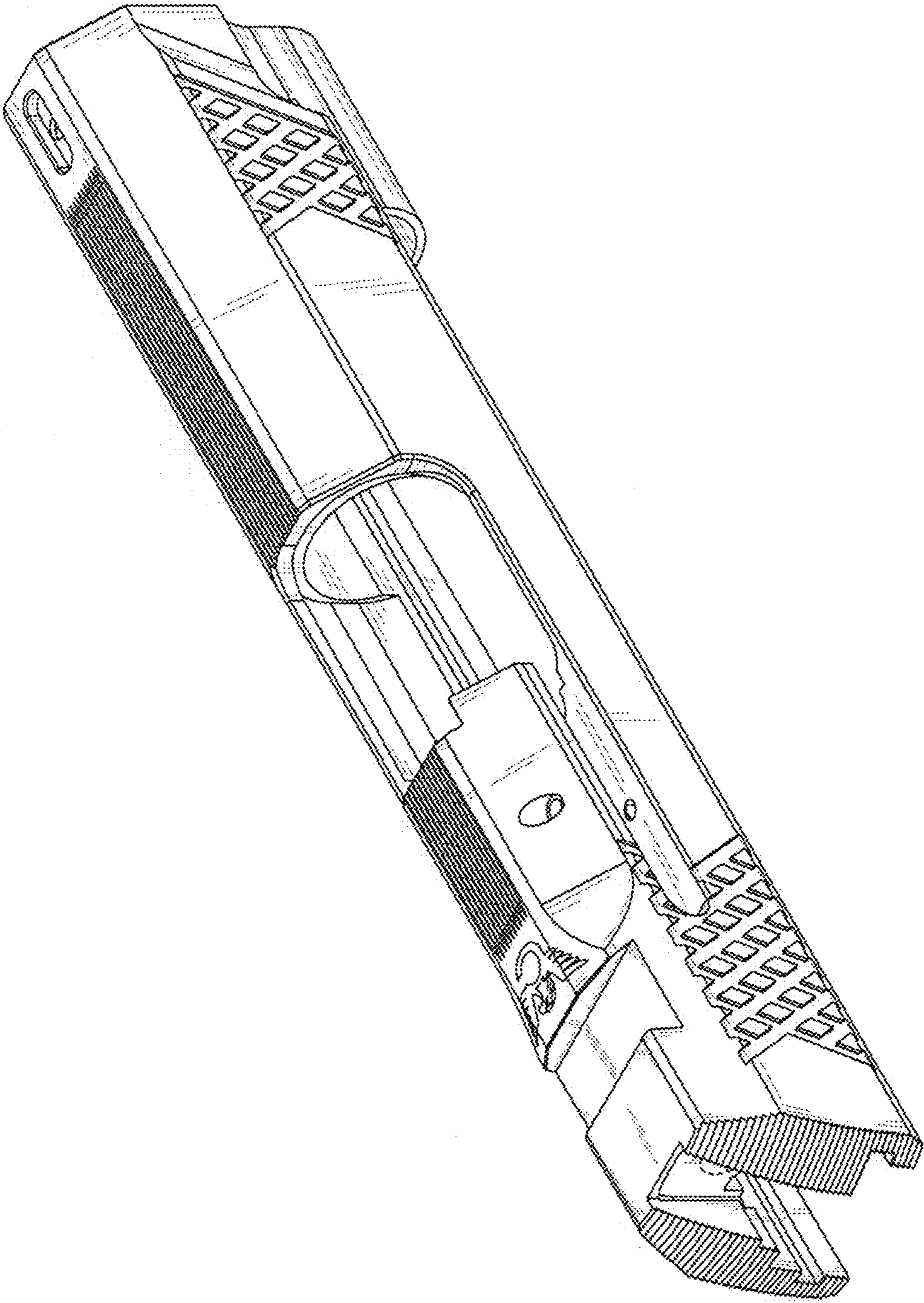


FIG. 1

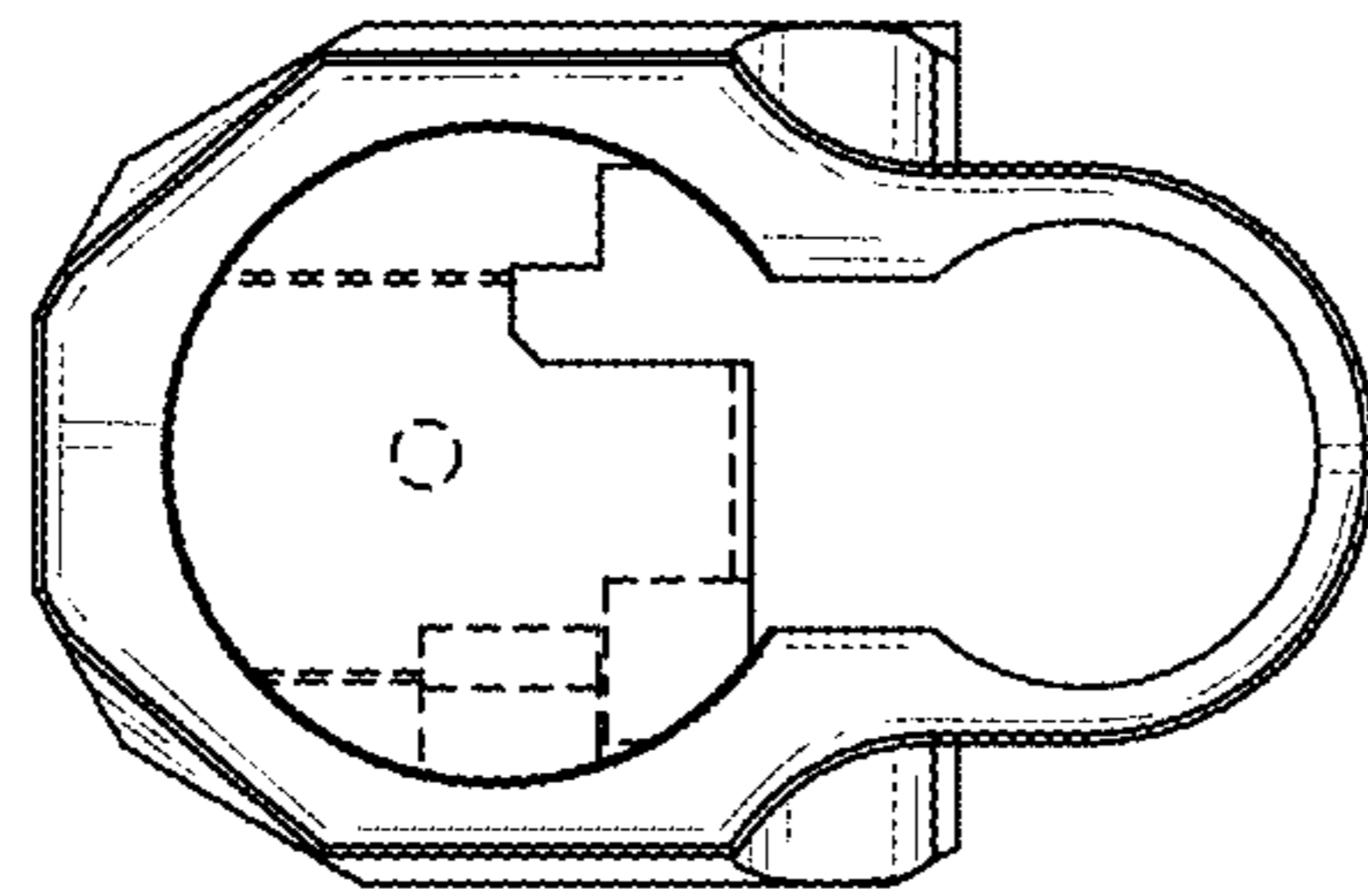


FIG. 2

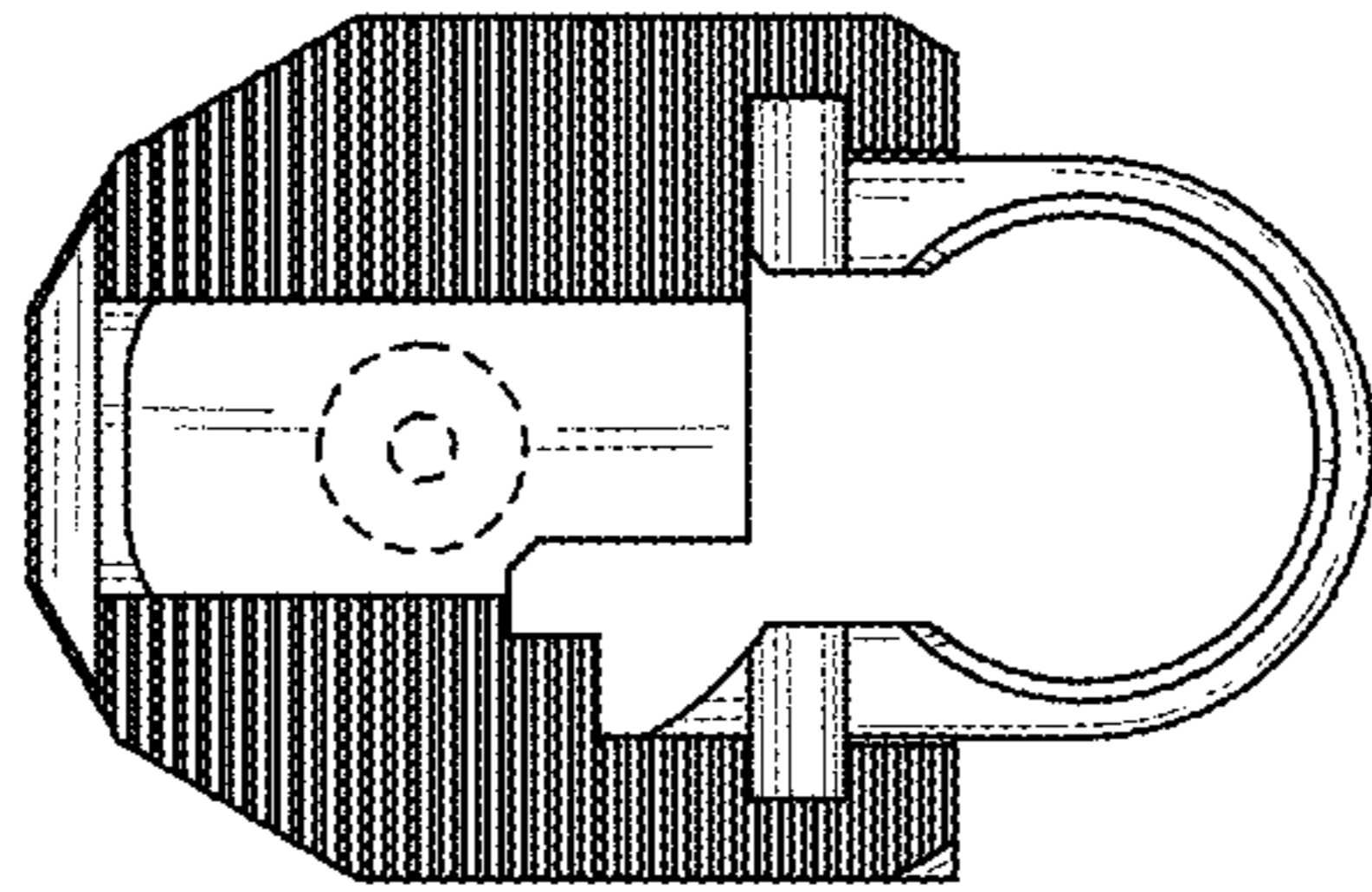


FIG. 3

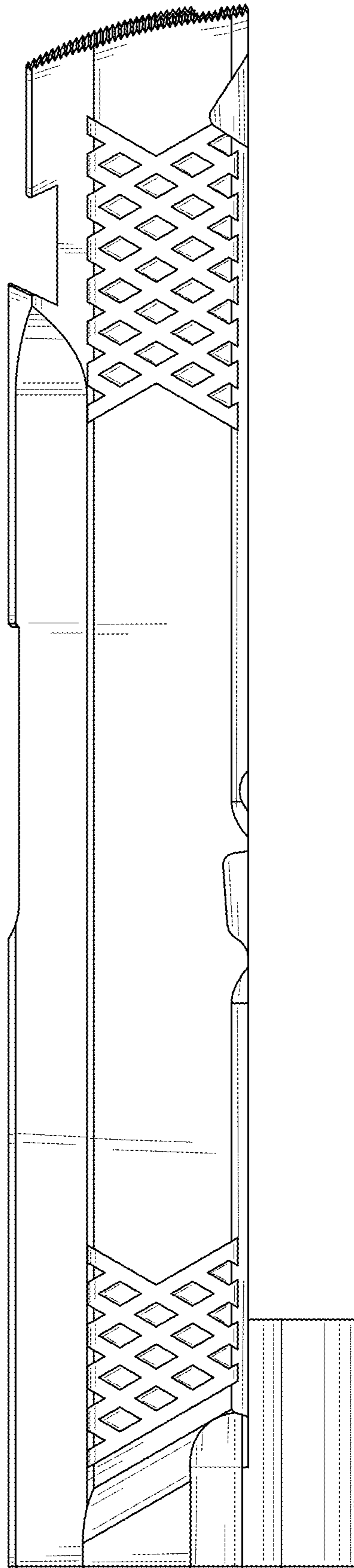


FIG. 4

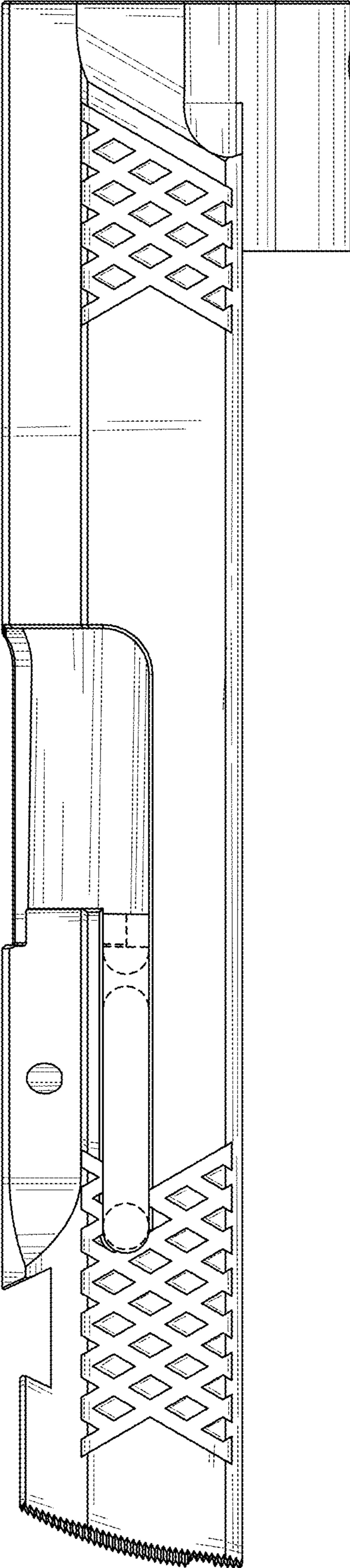


FIG. 5

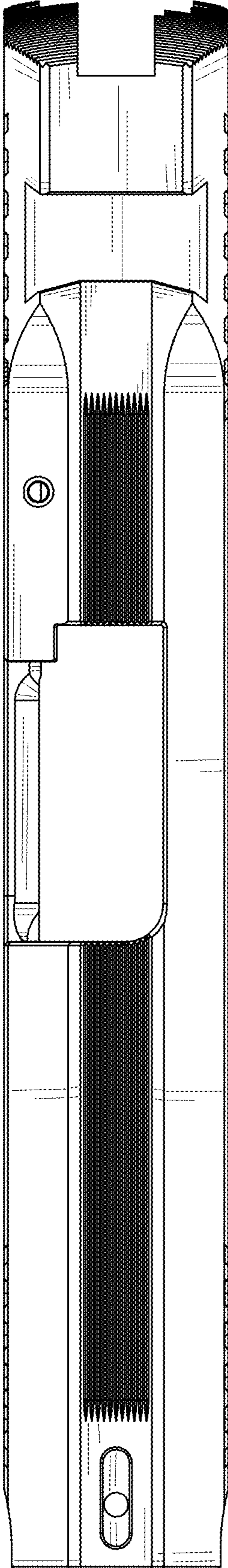


FIG. 6

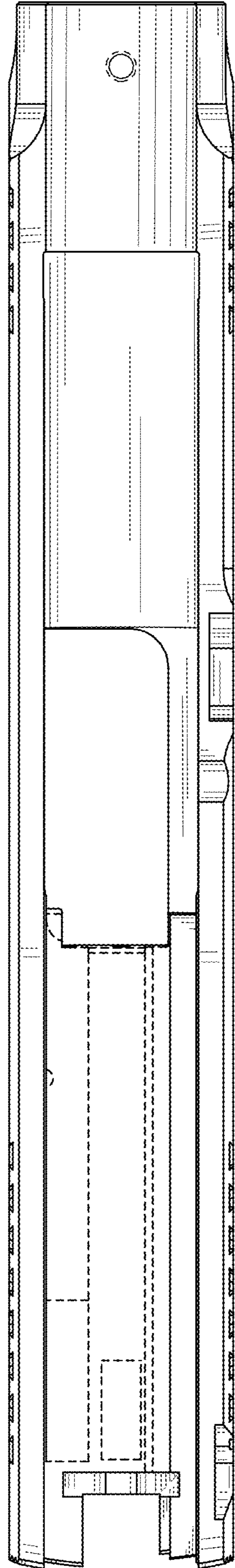


FIG. 7