



US00D883409S

(12) **United States Design Patent**
Hoffmann et al.

(10) **Patent No.:** **US D883,409 S**

(45) **Date of Patent:** **** May 5, 2020**

- (54) **GOLF BALL RETRIEVING DEVICE**
- (71) Applicants: **Jodi Hoffmann**, Milbank, SD (US);
Steve Hoffmann, Milbank, SD (US)
- (72) Inventors: **Jodi Hoffmann**, Milbank, SD (US);
Steve Hoffmann, Milbank, SD (US)
- (**) Term: **15 Years**
- (21) Appl. No.: **29/673,750**
- (22) Filed: **Dec. 18, 2018**
- (51) **LOC (12) Cl.** **21-02**
- (52) **U.S. Cl.**
USPC **D21/721**
- (58) **Field of Classification Search**
USPC D21/789, 791, 721
CPC A63B 47/002; A63B 47/007; A63B 47/02;
A63B 57/00
See application file for complete search history.

- 3,530,610 A * 9/1970 Bremer A01K 77/00
43/11
- 3,547,477 A * 12/1970 Young A63B 47/02
294/19.2
- 3,659,891 A * 5/1972 Pettenon A47L 13/52
294/1.4
- 3,663,049 A * 5/1972 James A63B 47/02
294/19.2
- 3,717,371 A * 2/1973 Halone A63B 47/02
294/19.2
- 3,982,781 A * 9/1976 Tucker A63B 47/02
294/19.2
- 3,997,169 A * 12/1976 Bergstrom A63B 47/02
473/286
- 4,361,245 A * 11/1982 Allen F23J 1/04
15/257.6
- 4,457,548 A * 7/1984 Robins, IV F24B 1/1915
294/177
- 4,493,503 A * 1/1985 Jeninga A63B 47/02
294/19.2
- 4,509,751 A * 4/1985 Tabet G01P 13/02
294/19.2
- 4,516,347 A * 5/1985 Dickie A01K 77/00
43/11

(Continued)

(56) **References Cited**
U.S. PATENT DOCUMENTS

- 1,056,572 A * 3/1913 Nadeau F24B 15/04
220/2
- 1,723,709 A * 8/1929 Reiser A63B 47/02
294/19.2
- 2,241,229 A * 5/1941 Williams A47J 43/22
210/471
- 2,369,145 A * 2/1945 Kent A63B 49/02
473/548
- D145,296 S * 7/1946 Geissler D21/585
- 2,604,715 A * 7/1952 Brown, Jr. A01M 3/002
43/11
- 2,688,815 A * 9/1954 Phillips A01K 77/00
43/12
- 3,141,696 A * 7/1964 Nau A63B 47/02
294/19.2
- 3,394,483 A * 7/1968 Taglioli A01M 3/002
43/11

Primary Examiner — Mitchell I. Siegel

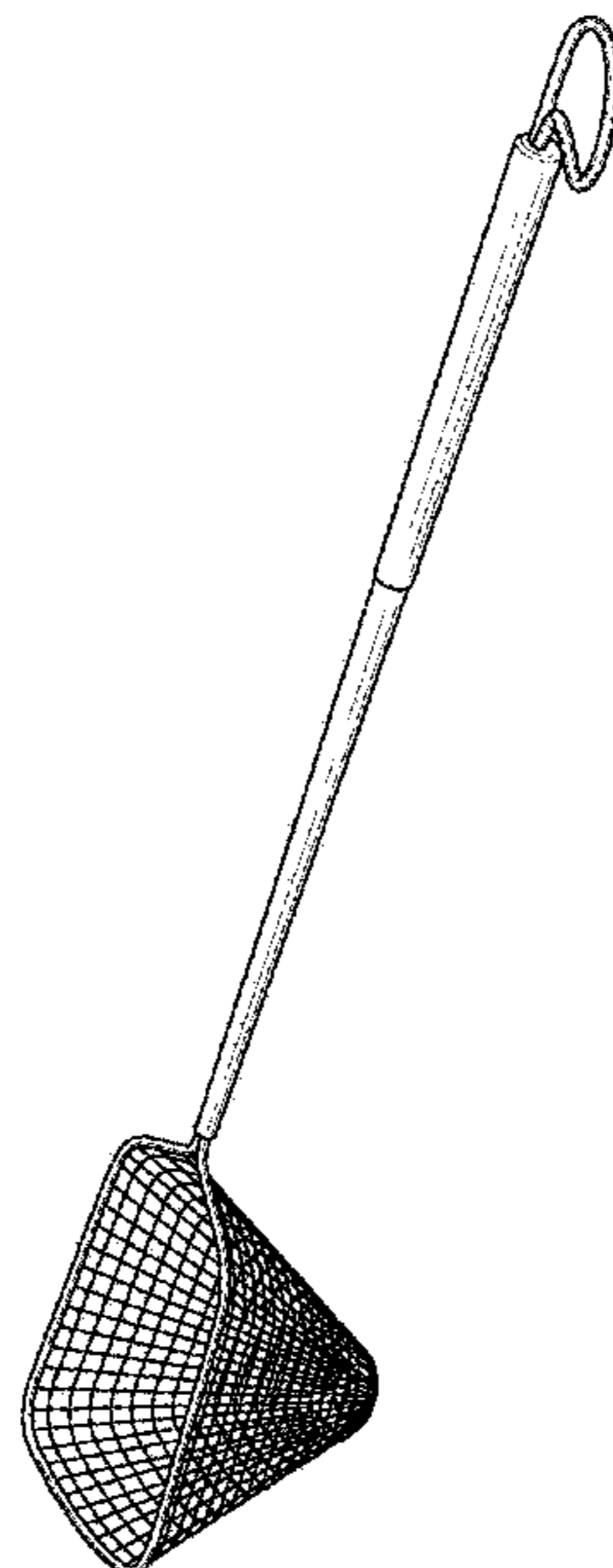
(57) **CLAIM**

We claim the ornamental design for a golf ball retrieving device, as shown and described.

DESCRIPTION

FIG. 1 is a front view of the golf ball retrieving device.
FIG. 2 is a rear view of the claimed design.
FIG. 3 is a right side view of the claimed design.
FIG. 4 is a left side view of the claimed design.
FIG. 5 is a top view of the claimed design.
FIG. 6 is a bottom view of the claimed design; and,
FIG. 7 is a perspective view of the claimed design.

1 Claim, 3 Drawing Sheets



(56)

References Cited

U.S. PATENT DOCUMENTS

4,572,560	A *	2/1986	Grandlouis	F23J 1/04	294/177					
4,730,859	A *	3/1988	Gabinet	A63B 47/02	294/19.2					
4,799,725	A *	1/1989	Anderson	A63B 47/02	294/179					
4,958,871	A *	9/1990	Hemans	E01H 1/1206	15/257.1					
5,513,883	A *	5/1996	Segla	F23J 1/04	294/177					
5,513,884	A *	5/1996	Bucher	A63B 47/02	294/19.2					
5,662,366	A *	9/1997	Fraske	A63B 47/02	294/19.2					
D393,300	S *	4/1998	Andrews	D21/721						
5,738,400	A *	4/1998	Chambless	A01K 31/165	294/179					
6,257,635	B1 *	7/2001	Torelli	A63B 47/02	294/19.2					
D457,932	S *	5/2002	Bellville	D21/789						
7,044,519	B2 *	5/2006	Raguse	A01G 20/30	294/214					
7,178,844	B2 *	2/2007	Evilsizer	A63B 47/02	294/19.2					
7,938,465	B2 *	5/2011	Spacone	A63B 47/02	294/19.2					
8,356,846	B1 *	1/2013	Corcoran	A63B 47/02	294/19.2					
D686,691	S *	7/2013	Blood	D22/135						
8,534,726	B2 *	9/2013	Bulatao	A63B 47/002	294/19.2					
D756,470	S *	5/2016	Garcia-Park	D21/721						
9,604,107	B1 *	3/2017	Wilson	A63B 47/024						
2005/0229469	A1 *	10/2005	Able	A01K 77/00	43/12					
2011/0049919	A1 *	3/2011	Ballard	A63B 47/02	294/19.2					

* cited by examiner

FIG. 1

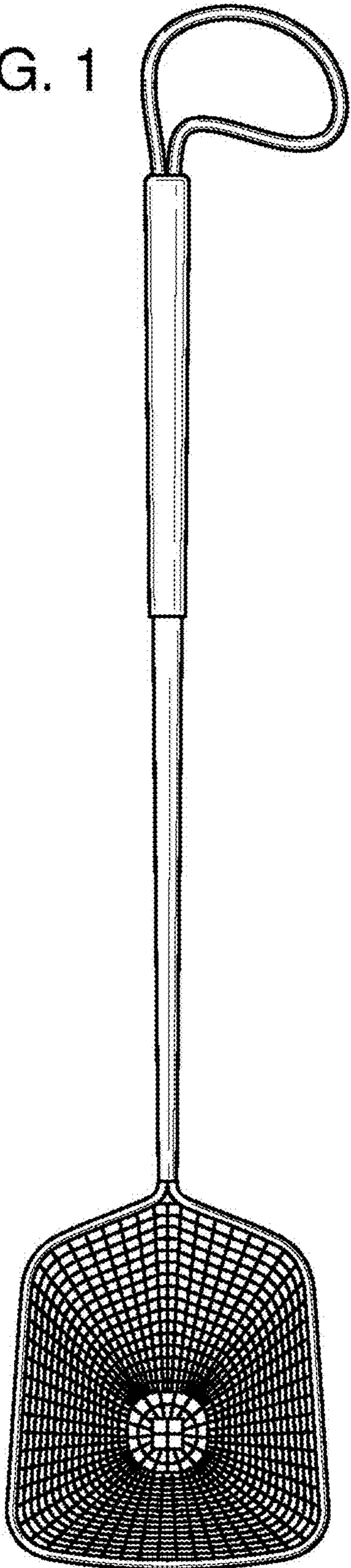


FIG. 2

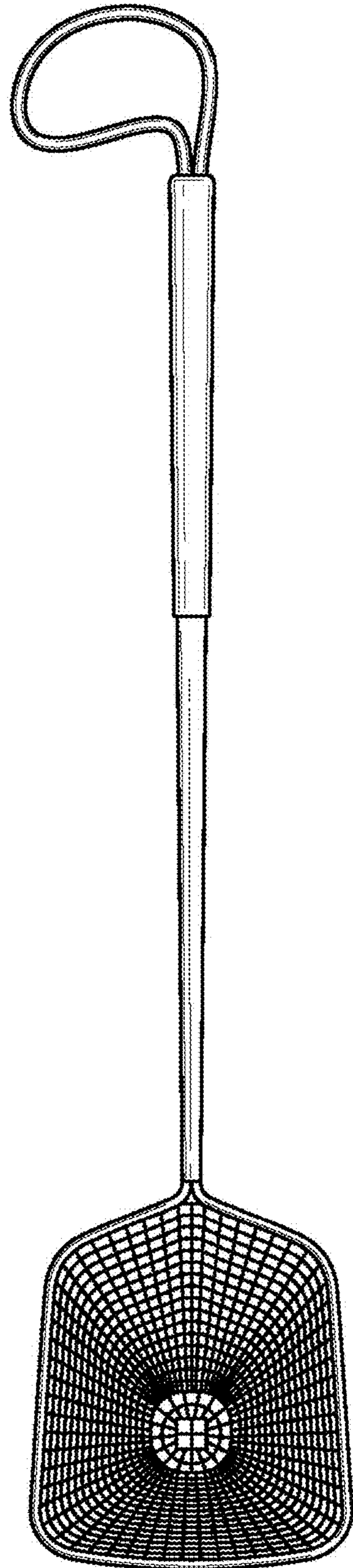


FIG. 3

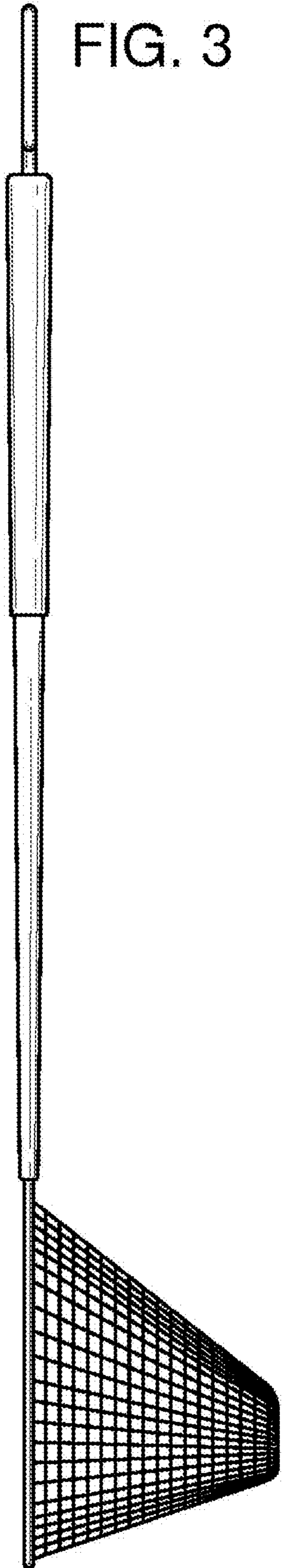
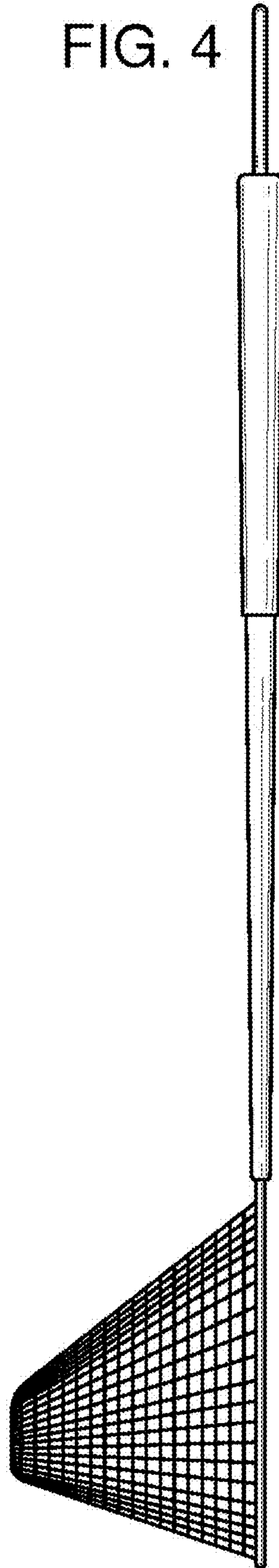


FIG. 4



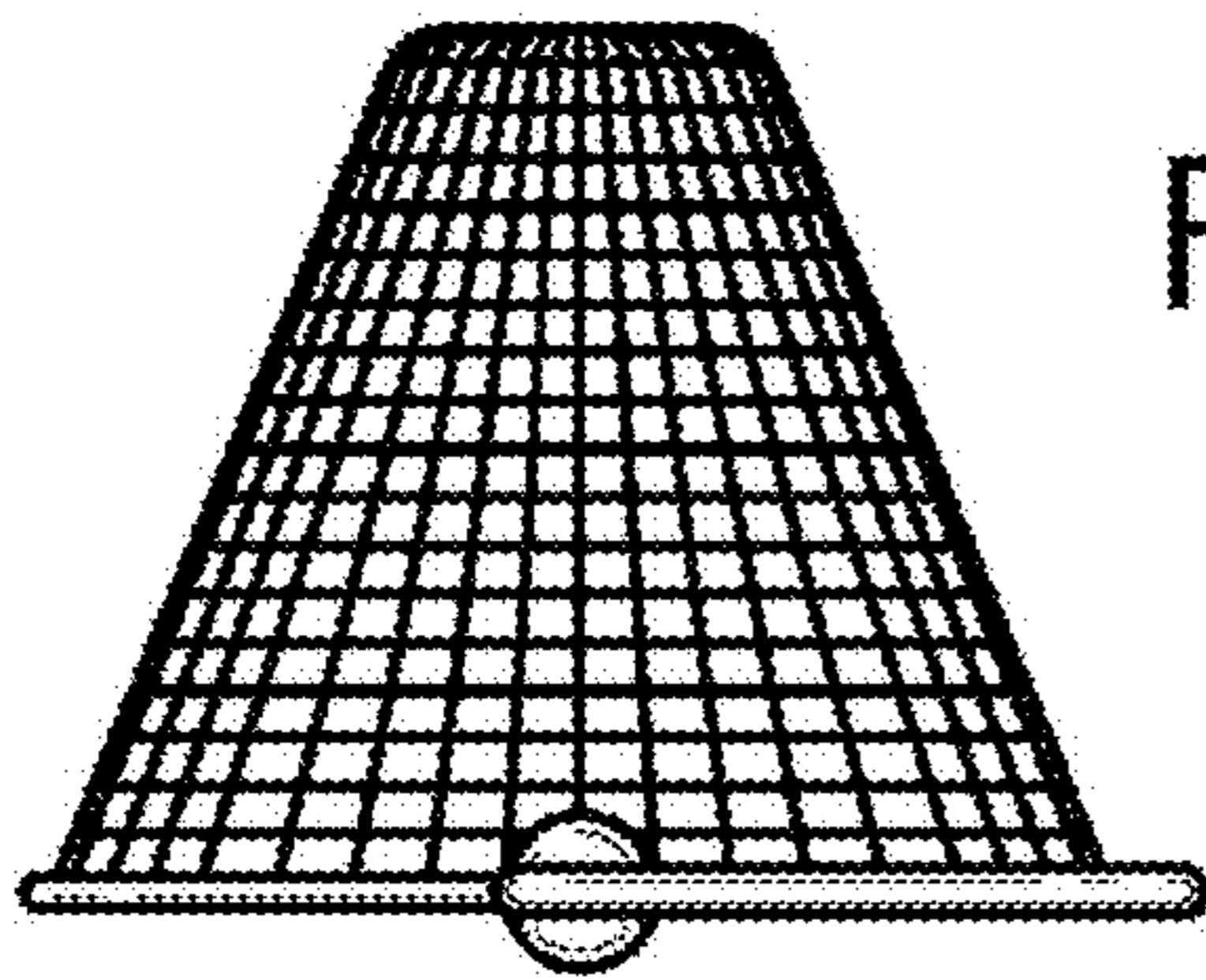


FIG. 5

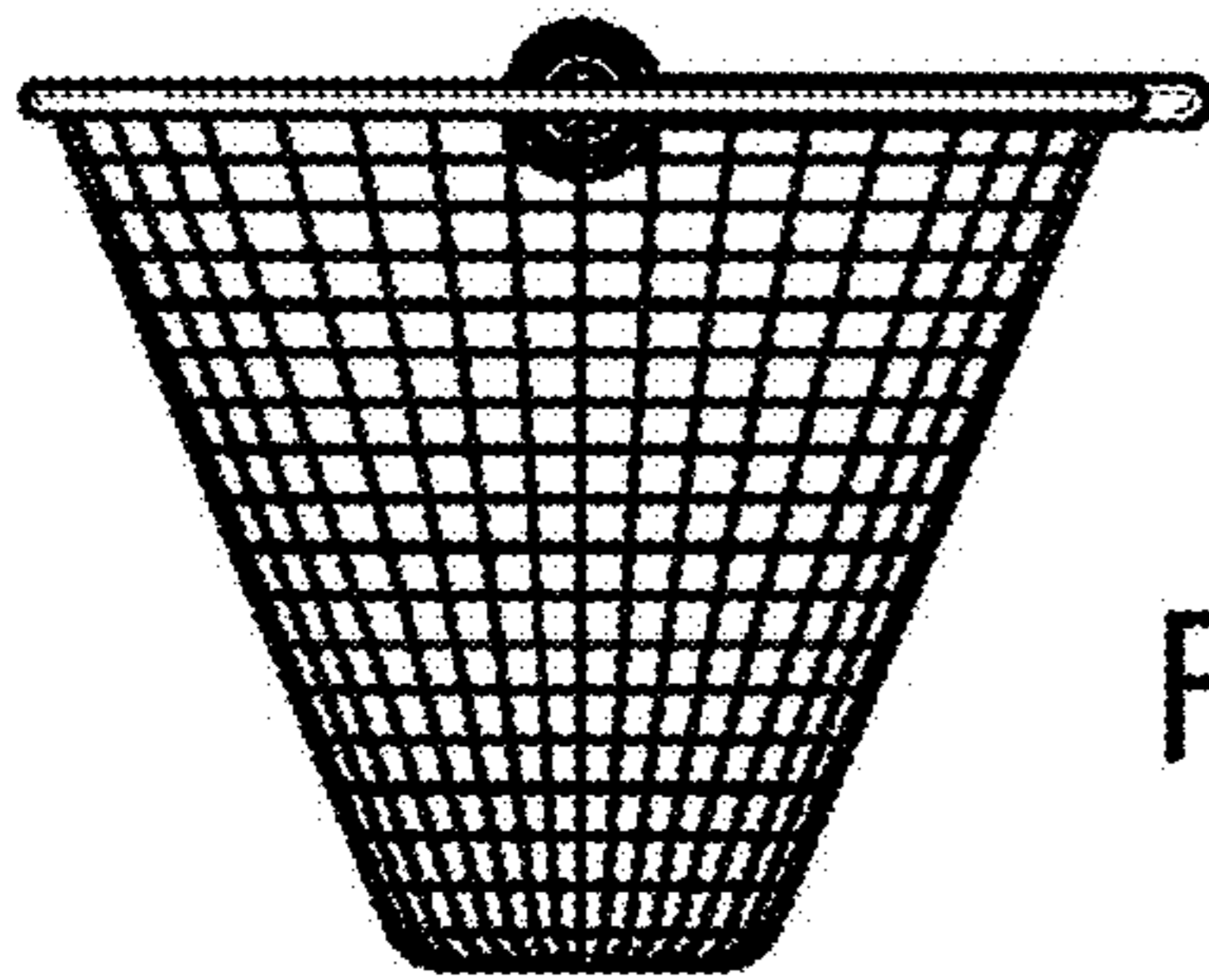


FIG. 6

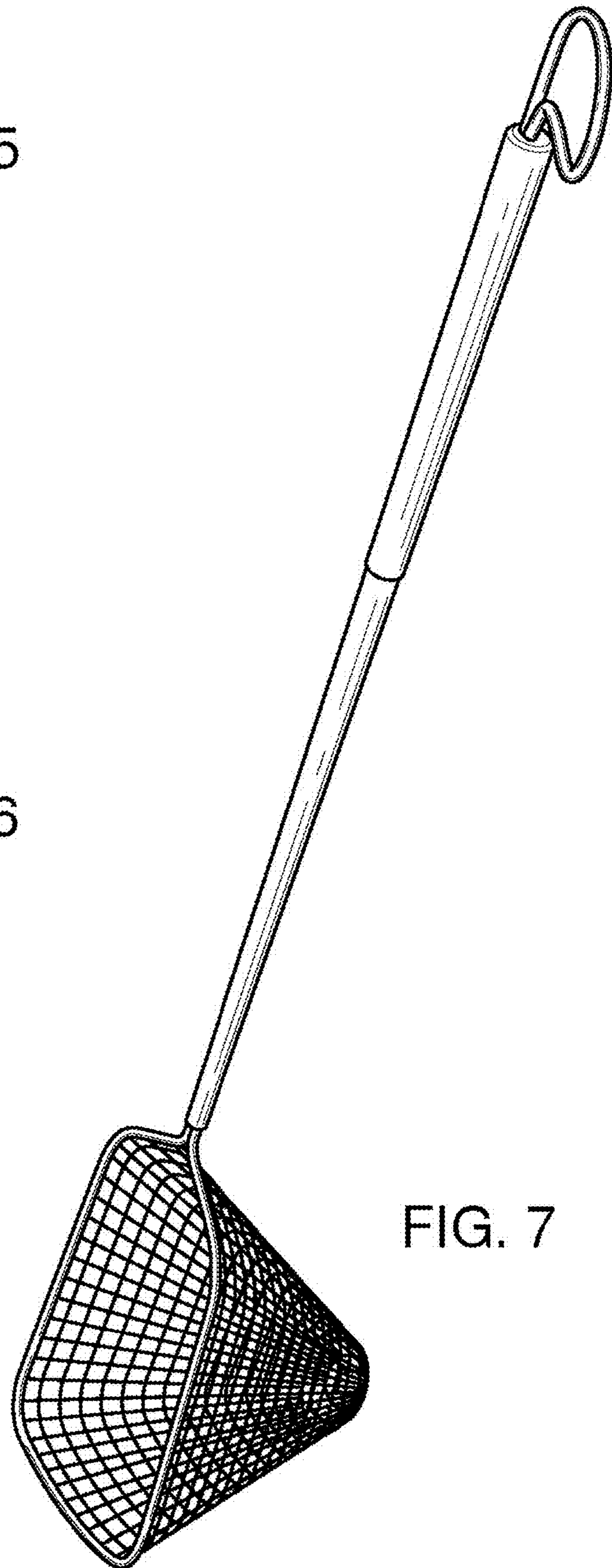


FIG. 7