



US00D883408S

(12) **United States Design Patent**
Wolfe

(10) **Patent No.:** **US D883,408 S**

(45) **Date of Patent:** **** May 5, 2020**

(54) **GOLF DISC CAPTURE FRAME**
(71) Applicant: **Lavone Wolfe**, Harvest, AL (US)
(72) Inventor: **Lavone Wolfe**, Harvest, AL (US)
(**) Term: **15 Years**

D667,905 S * 9/2012 Urioste D21/721
D668,306 S * 10/2012 Urioste D21/721
8,657,351 B2 * 2/2014 Johnson A63F 9/0001
135/74
D727,447 S * 4/2015 Sangimino D21/721
D779,605 S * 2/2017 Urioste A01B 1/16
D21/721
D857,815 S * 8/2019 Wilson, Jr. A63B 47/02
D21/721

(21) Appl. No.: **29/615,750**

* cited by examiner

(22) Filed: **Aug. 31, 2017**

Primary Examiner — George D. Kirschbaum

(51) **LOC (12) Cl.** **21-02**

Assistant Examiner — Joseph J Kukella

(52) **U.S. Cl.**
USPC **D21/721**

(74) *Attorney, Agent, or Firm* — Patent Grove LLC;
Tomas Friend

(58) **Field of Classification Search**
USPC D19/65, 86; D28/40; D8/395; D10/46,
D10/46.1; D21/385, 721
CPC A63F 11/0051; A63F 11/0053; A63F
11/0055; A63F 11/0058; A63B 71/06;
A63B 71/0608; A63B 71/0619; A63B
71/0669; A63B 71/0672; A63B 7/0694
See application file for complete search history.

(57) **CLAIM**

The ornamental design for a golf disc capture frame, as shown and described.

DESCRIPTION

FIG. 1 is a back view of the invention, facing away from a person holding a handle attached to the golf disc capture frame;
FIG. 2 is a front view of the invention, facing a user holding a handle attached to the golf disc capture frame;
FIG. 3 is an elevated back perspective view of the invention;
FIG. 4 is an elevated front perspective view of the invention;
FIG. 5 is a right side view of the invention; and,
FIG. 6 is a top view of the invention.

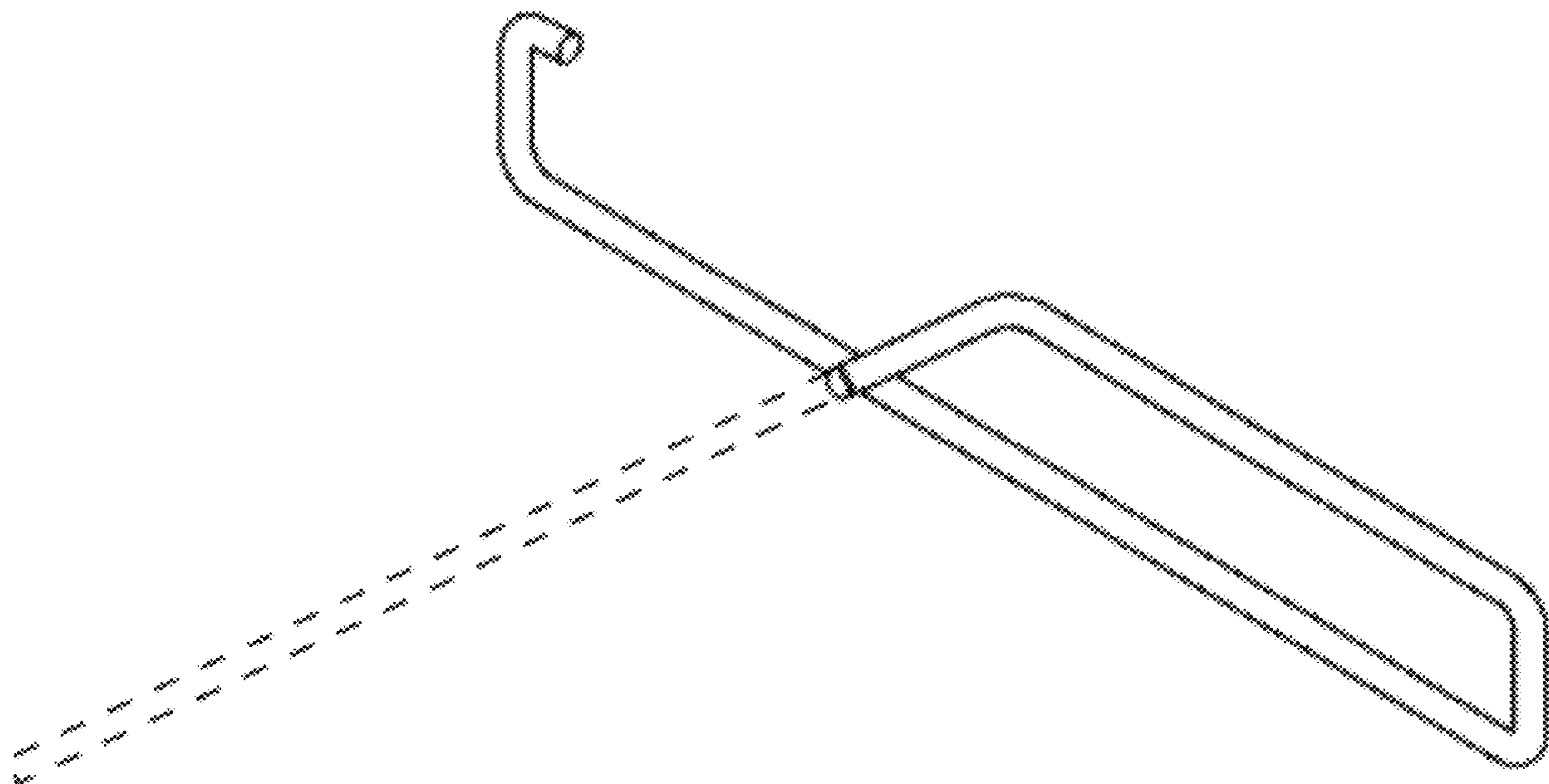
In the drawings, the broken lines depict portions of the golf disc capture frame that form no part of the claimed design.

1 Claim, 3 Drawing Sheets

(56) **References Cited**

U.S. PATENT DOCUMENTS

2,482,294 A * 9/1949 Sandor A63B 47/02
294/19.2
2,790,368 A * 4/1957 Horton A01B 1/16
172/376
D206,076 S * 10/1966 Lehman D21/721
D380,026 S * 6/1997 Frankel A63F 9/0001
D21/721
D582,496 S * 12/2008 Looyesen D21/721



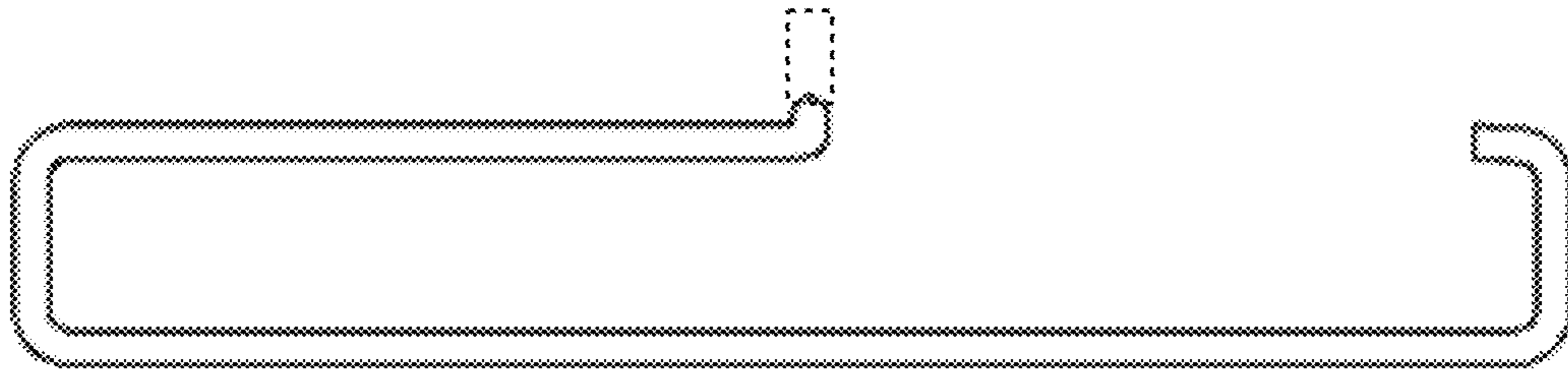


Fig. 1

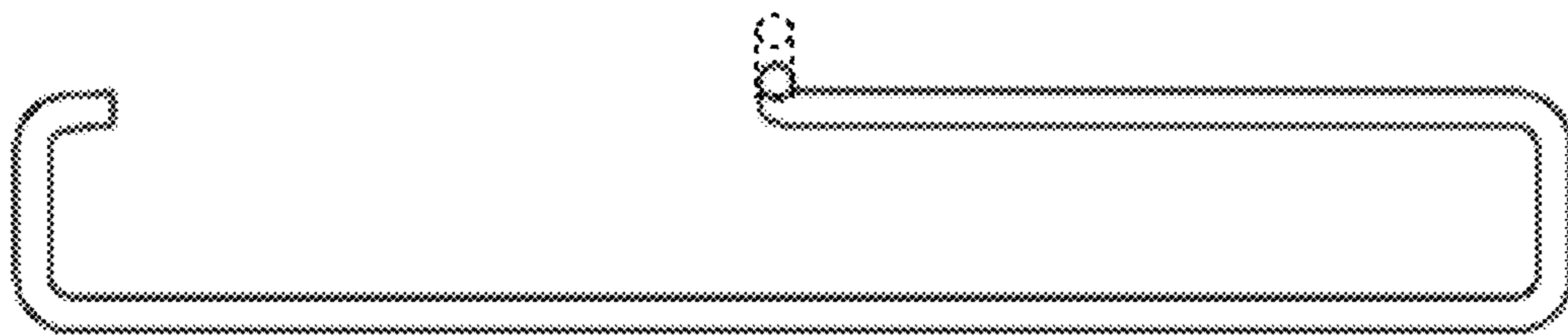


Fig. 2

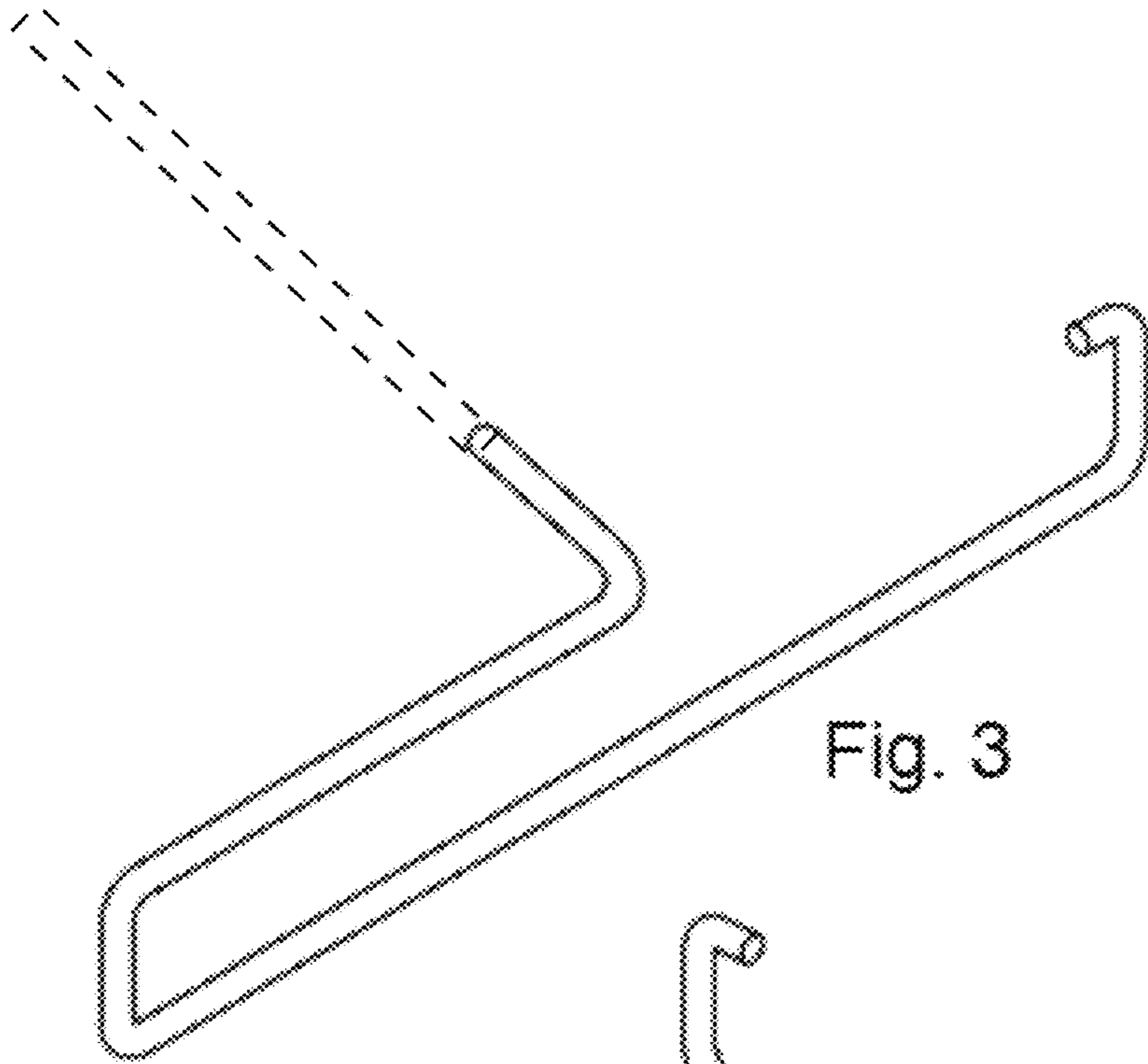


Fig. 3

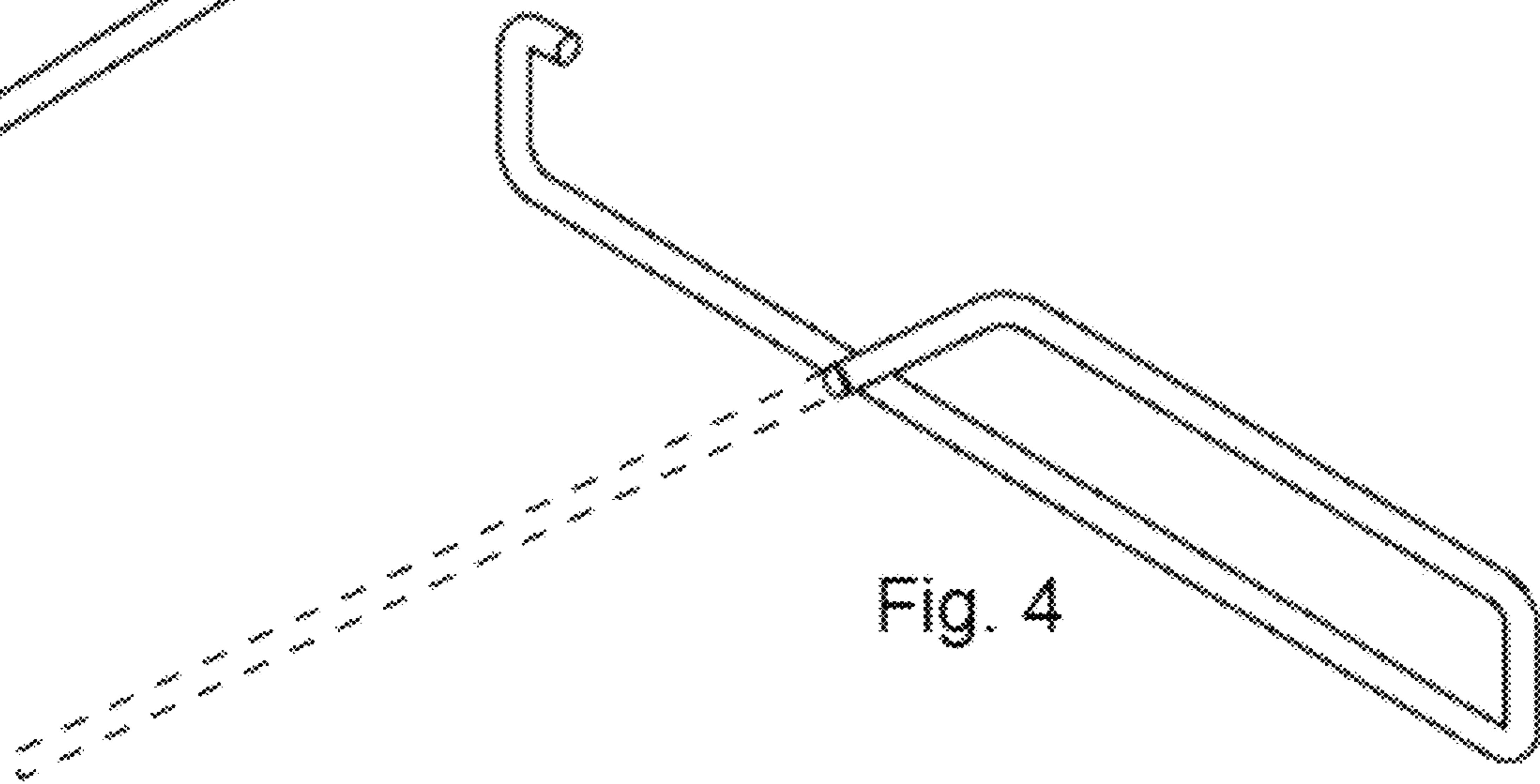


Fig. 4

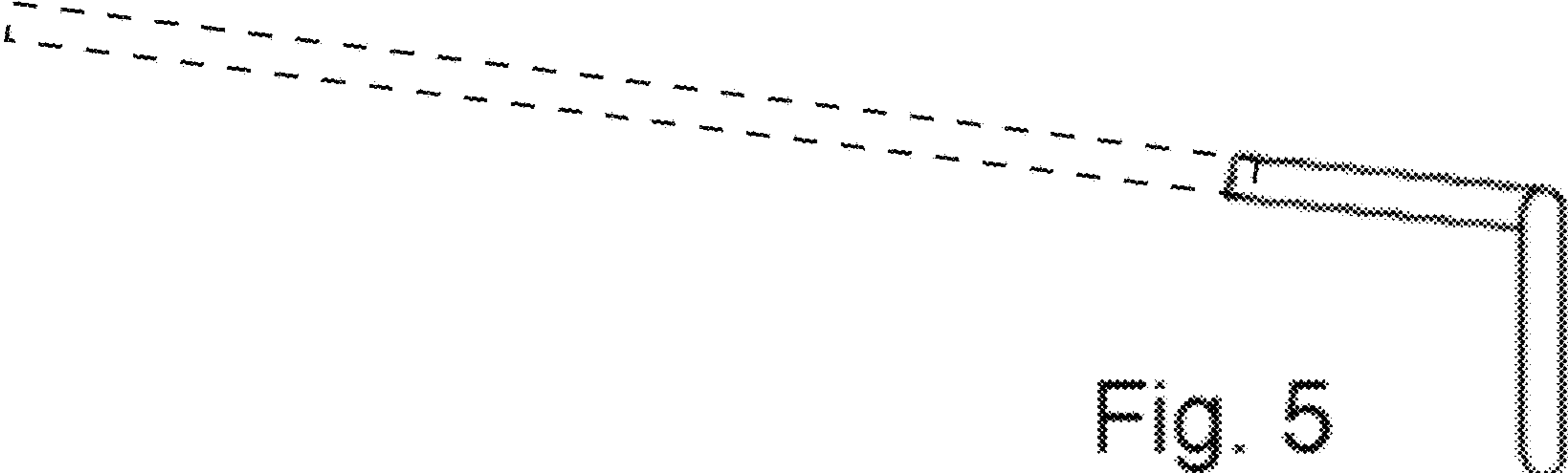


Fig. 5

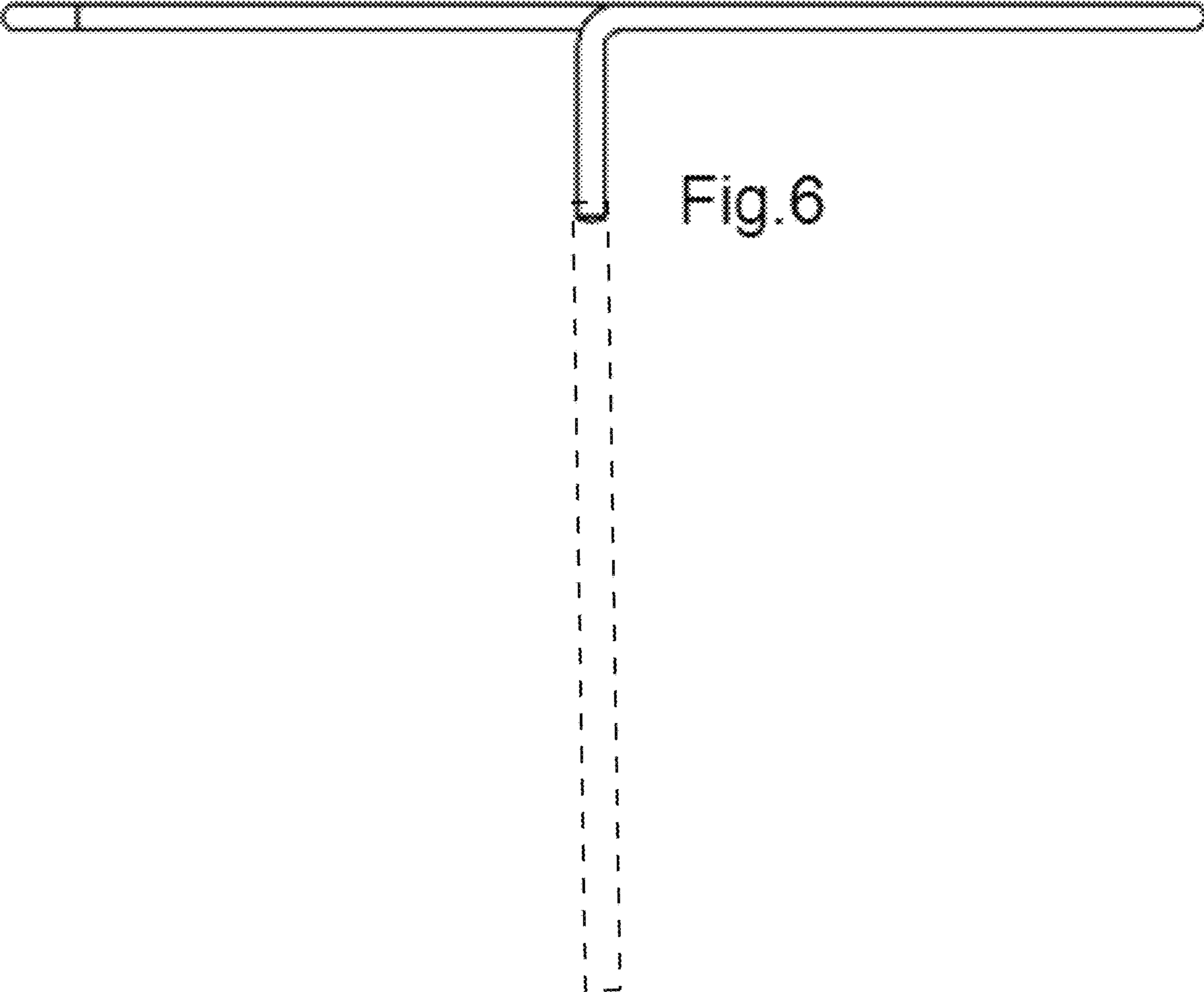


Fig. 6