



US00D883406S

(12) **United States Design Patent**
Sergakis

(10) **Patent No.:** **US D883,406 S**

(45) **Date of Patent:** **** May 5, 2020**

(54) **FITNESS RIG**

(71) Applicant: **Coulter Ventures, LLC.**, Columbus, OH (US)

(72) Inventor: **Emmanuel Sergakis**, Plain City, OH (US)

(73) Assignee: **Coulter Ventures, LLC.**, Columbus, OH (US)

(**) Term: **15 Years**

(21) Appl. No.: **29/696,832**

(22) Filed: **Jul. 1, 2019**

Related U.S. Application Data

(63) Continuation of application No. 29/645,376, filed on Apr. 25, 2018, now Pat. No. Des. 852,907.

(51) **LOC (12) Cl.** **21-02**

(52) **U.S. Cl.**
USPC **D21/686**

(58) **Field of Classification Search**
USPC D6/656.1, 552, 549, 548; D21/827, 826, D21/797, 694, 691, 690, 686, 679, 673, D21/665, 662; 482/96, 95, 94, 93, 92, 482/87, 8, 77, 41, 40, 38, 36, 35, 2, 148, 482/147, 144, 142, 141, 140, 135, 133, 482/132, 130, 128, 104, 101; 472/136, 472/118

CPC A63B 21/078; A63B 21/4035; A63B 2225/093; A63B 21/4029; A63B 2210/50; A63B 21/0783

See application file for complete search history.

(56) **References Cited**

U.S. PATENT DOCUMENTS

4,527,797 A * 7/1985 Slade, Jr. A63B 21/0626 482/101

4,666,154 A 5/1987 Lipscomb et al.

D291,338 S * 8/1987 Ringel D21/691
4,907,798 A * 3/1990 Burchatz A63B 21/06 482/104
5,273,506 A * 12/1993 Dawson, Jr. A63B 21/0626 482/104
5,372,556 A 12/1994 Ropp
5,395,296 A 3/1995 Webster et al.
D358,623 S * 5/1995 Macasieb D21/691
5,928,119 A 7/1999 Dinkel

(Continued)

OTHER PUBLICATIONS

Photos of Rogue Regional Rig, known to be publicly disclosed prior to Apr. 25, 2017.

(Continued)

Primary Examiner — Ryan Harvey

(74) *Attorney, Agent, or Firm* — Banner & Witcoff, Ltd.

(57) **CLAIM**

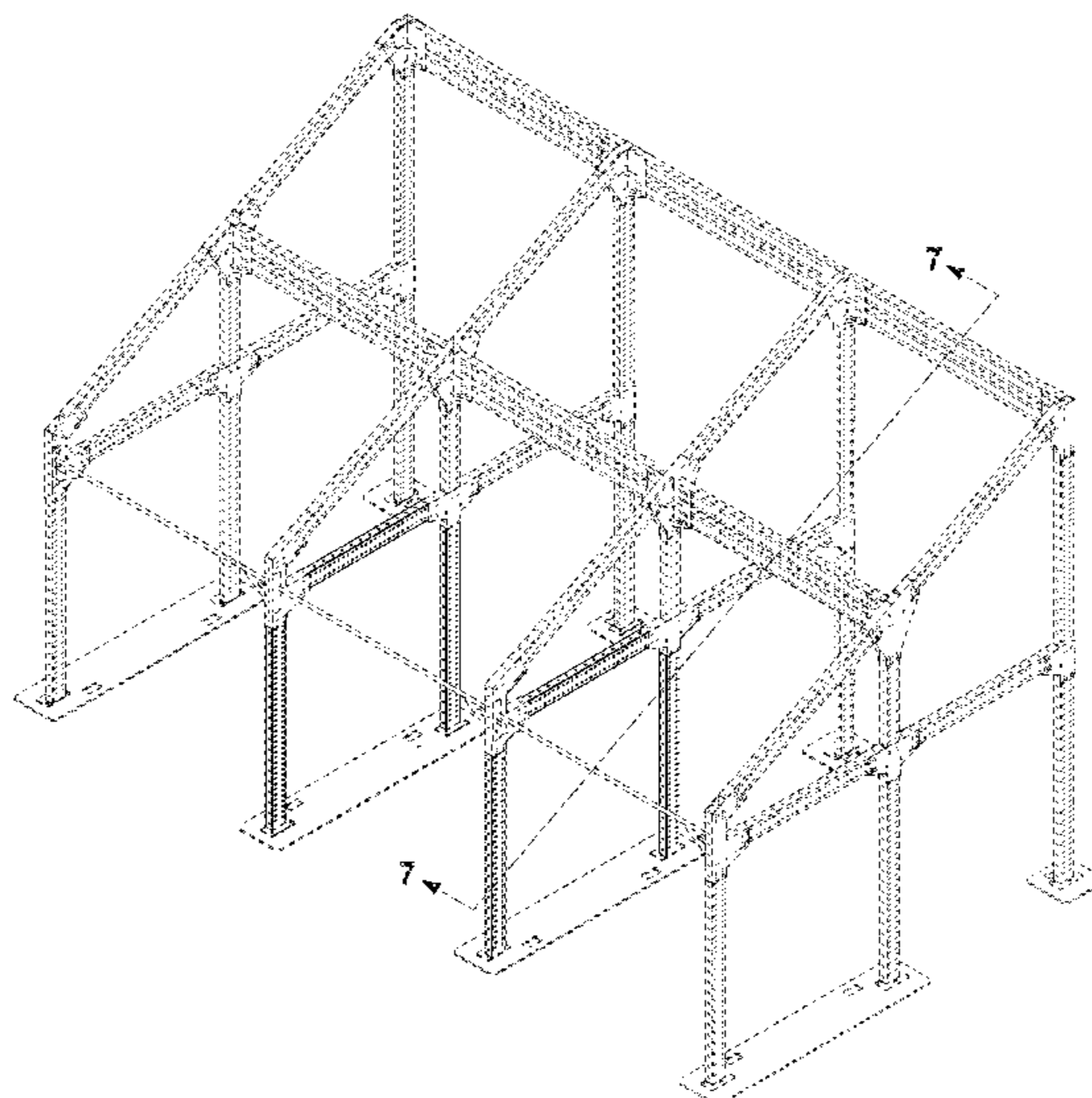
The ornamental design for a fitness rig, as shown and described.

DESCRIPTION

FIG. 1 is a top, front, right perspective view of a fitness rig showing my new design with selected features disclaimed; FIG. 2 is a top, front, left perspective view thereof; FIG. 3 is a front view thereof; FIG. 4 is a rear view thereof; FIG. 5 is a right side view thereof; FIG. 6 is a left side view thereof; FIG. 7 is a cross-sectional view at 7-7 in FIG. 1 thereof; FIG. 8 is a cross-sectional view at 8-8 in FIG. 2 thereof; and, FIG. 9 is a top view thereof.

The broken lines depicting the remainder of the fitness rig in FIGS. 1-9 show features that form no part of the claimed design.

1 Claim, 9 Drawing Sheets



(56)

References Cited

U.S. PATENT DOCUMENTS

D550,790 S * 9/2007 Staten D21/694
 D550,791 S * 9/2007 Rogers D21/694
 D550,792 S * 9/2007 Rogers D21/694
 D550,793 S * 9/2007 Rogers D21/694
 D551,306 S * 9/2007 Rogers D21/694
 D629,472 S 12/2010 Rhodes
 D636,038 S * 4/2011 Henniger D21/691
 D636,040 S * 4/2011 Henniger D21/691
 8,016,686 B2 9/2011 Liggett et al.
 RE43,397 E * 5/2012 Rogers D21/694
 D664,622 S 7/2012 Orsulak et al.
 D664,624 S 7/2012 Orsulak et al.
 D697,988 S 1/2014 Januszek
 D698,402 S 1/2014 Saletta
 D699,805 S 2/2014 Green
 8,876,673 B2 * 11/2014 Inglut A63B 21/068
 482/95
 8,998,781 B1 * 4/2015 Nelson A63B 21/04
 482/129
 9,095,742 B2 * 8/2015 Henniger A63B 21/0724
 D742,979 S * 11/2015 Post D21/686
 9,192,799 B2 * 11/2015 Alenaddaf A63B 71/0036
 9,278,246 B2 * 3/2016 Tambornino A63B 21/078
 D762,789 S 8/2016 Gilchrist
 D767,693 S 9/2016 Kuka
 9,492,701 B1 * 11/2016 Bognatz A63B 21/072
 9,610,490 B2 * 4/2017 Tambornino A63B 71/0036
 D788,945 S 6/2017 Meyer
 D794,144 S * 8/2017 Abelbeck D21/686
 D836,172 S 12/2018 Kuka
 10,307,634 B2 * 6/2019 Young A63B 21/078
 D852,907 S * 7/2019 Sergakis D21/686
 2007/0032357 A1 2/2007 Piane
 2007/0155594 A1 * 7/2007 Rogers A63B 71/0036
 482/94
 2007/0155595 A1 * 7/2007 Rogers A63B 21/0615
 482/94
 2007/0155596 A1 * 7/2007 Rogers A63B 21/0615
 482/97
 2012/0142506 A1 6/2012 Hetrick et al.
 2012/0329613 A1 * 12/2012 Schiano A63B 21/078
 482/94
 2013/0296143 A1 * 11/2013 Staten A63B 21/0618
 482/98
 2013/0296146 A1 * 11/2013 Staten A63B 23/03541
 482/120

2014/0014604 A1 1/2014 de Moraes Correia
 2014/0087928 A1 * 3/2014 Luedeka A63B 21/4023
 482/130
 2014/0274563 A1 9/2014 Sheta
 2015/0011370 A1 * 1/2015 Henniger A63B 21/00047
 482/145
 2015/0014212 A1 * 1/2015 Beaver A63B 23/0458
 206/579
 2015/0059257 A1 * 3/2015 Beaver A63B 17/00
 52/27
 2015/0065316 A1 * 3/2015 Towley, III A63B 21/00047
 482/104
 2015/0196119 A1 * 7/2015 Henniger A63B 1/00
 211/85.7
 2015/0290488 A1 * 10/2015 Hopperstad A63B 21/078
 482/38
 2017/0007877 A1 * 1/2017 Leipheimer A63B 21/0783
 2017/0080276 A1 3/2017 Lopes Rodrigues
 2017/0246496 A1 * 8/2017 Nelson A63B 21/4035
 2018/0178051 A1 * 6/2018 Shaw, Jr. A63B 21/078
 2018/0326250 A1 * 11/2018 Henniger A63B 21/068
 2019/0275363 A1 * 9/2019 Jones A63B 21/4035

OTHER PUBLICATIONS

Photos of Rogue Regional Rig from <<https://twitter.com/roguefitness/status/865599795754180608>>, dated May 19, 2017.
 Product listing for Monster Lite Monkey Rig 2.0 from <<https://web.archive.org/web/20161202195146/http://www.roguefitness.com/rogue-monsterlite-monkey-rig-2-0>>, dated Dec. 2, 2016.
 Product listing for Rogue Echo Rig from <<https://web.archive.org/web/20160518084653/http://www.roguefitness.com/echo-rig>>, dated May 18, 2016.
 Product listing for Rogue Monster Lite Rig 2.0 from <<https://web.archive.org/web/20160511215330/http://www.roguefitness.com/monster-lite-rig-2-0>>, dated May 11, 2016.
 Product listing for Rogue Monster Rig 2.0 from <<https://web.archive.org/web/20160511213413/http://www.roguefitness.com/monster-rig-2-0>>, dated May 11, 2016.
 Product listing for Rogue Monster Rig from <<https://web.archive.org/web/20160317072250/http://www.roguefitness.com/monster-rig>>, dated Mar. 17, 2016.
 Screenshots taken from <https://www.youtube.com/watch?v=OWN6HYHR0_Y>, dated Jul. 28, 2017.

* cited by examiner

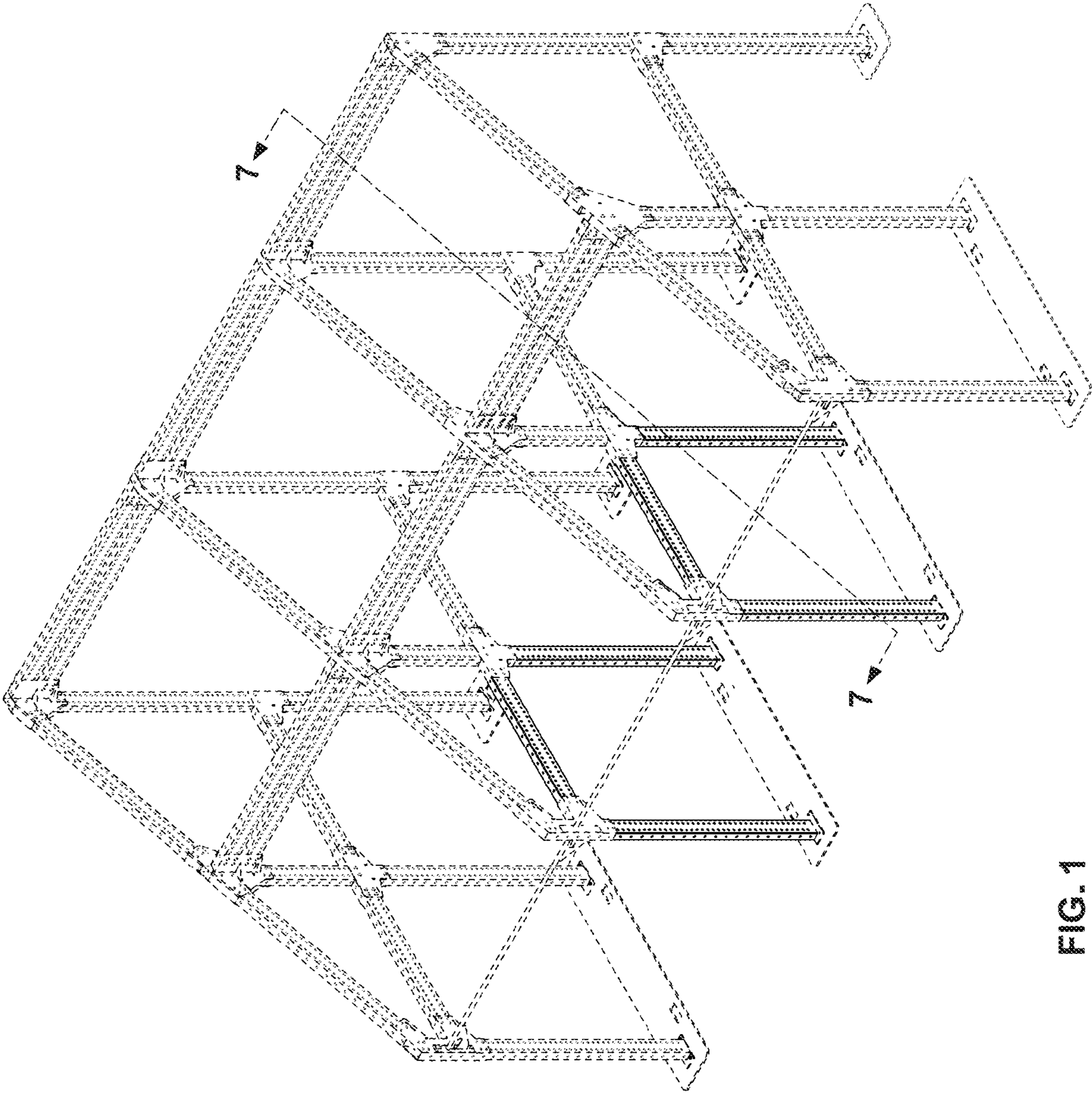


FIG. 1

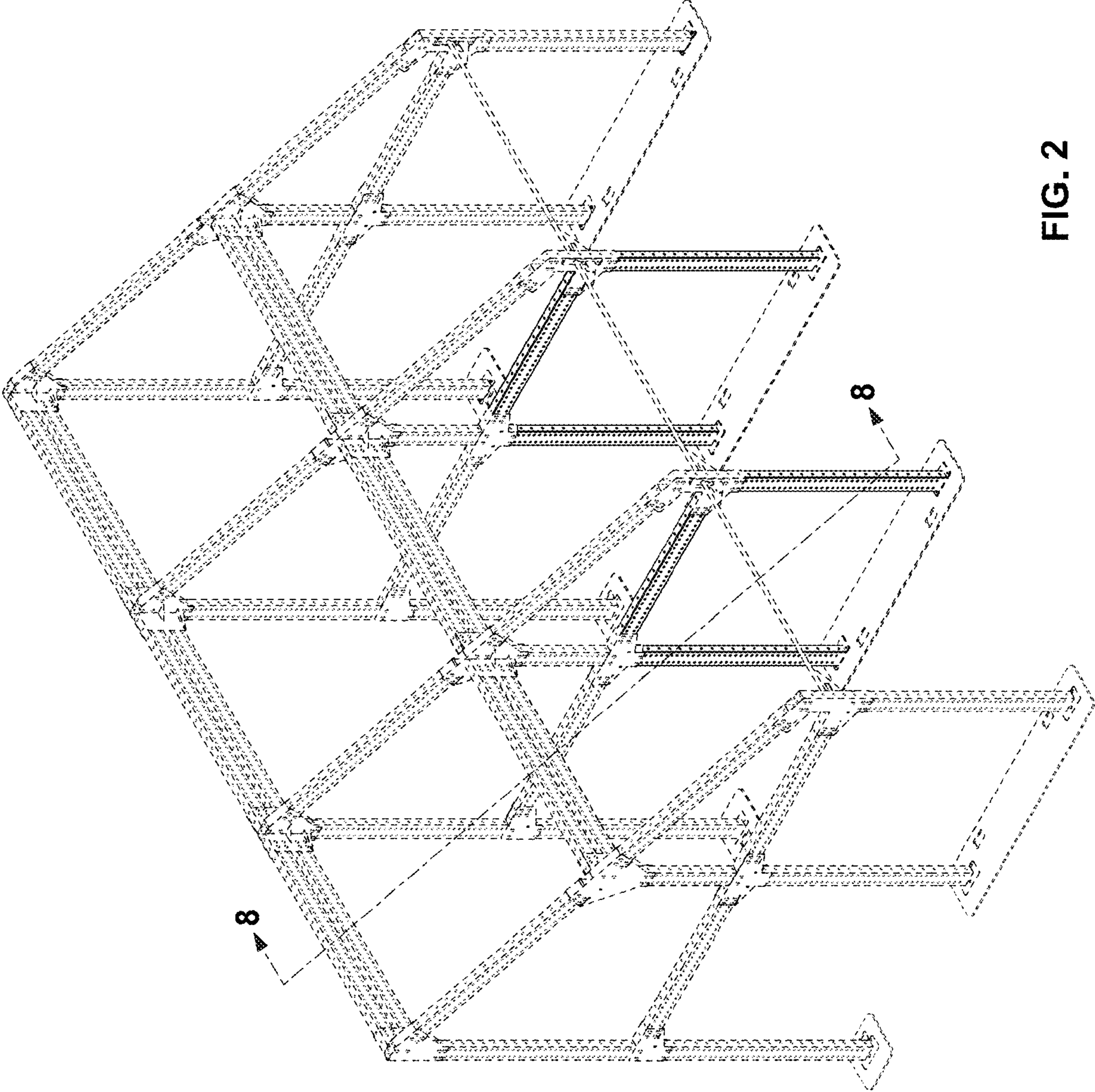


FIG. 2

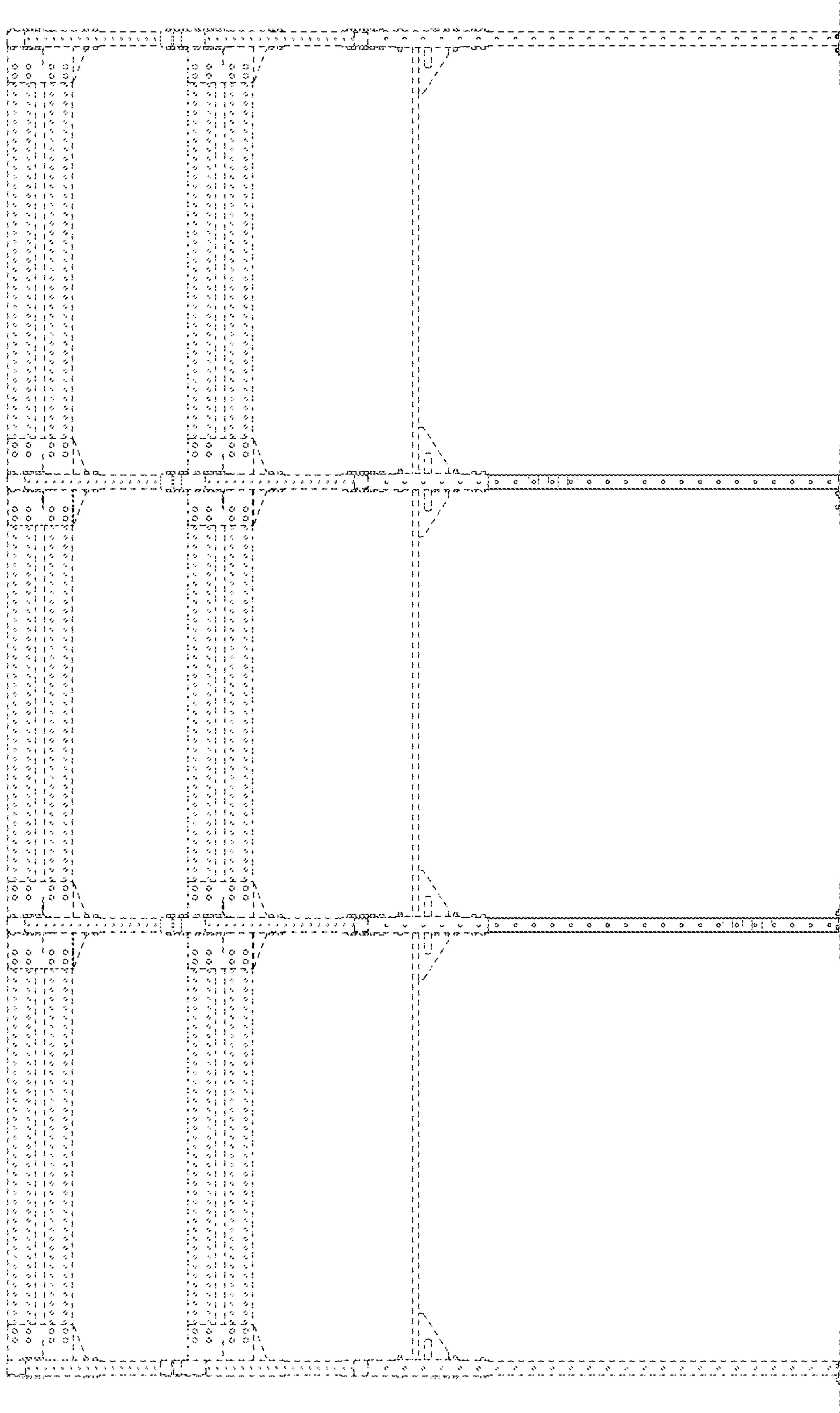


FIG. 3

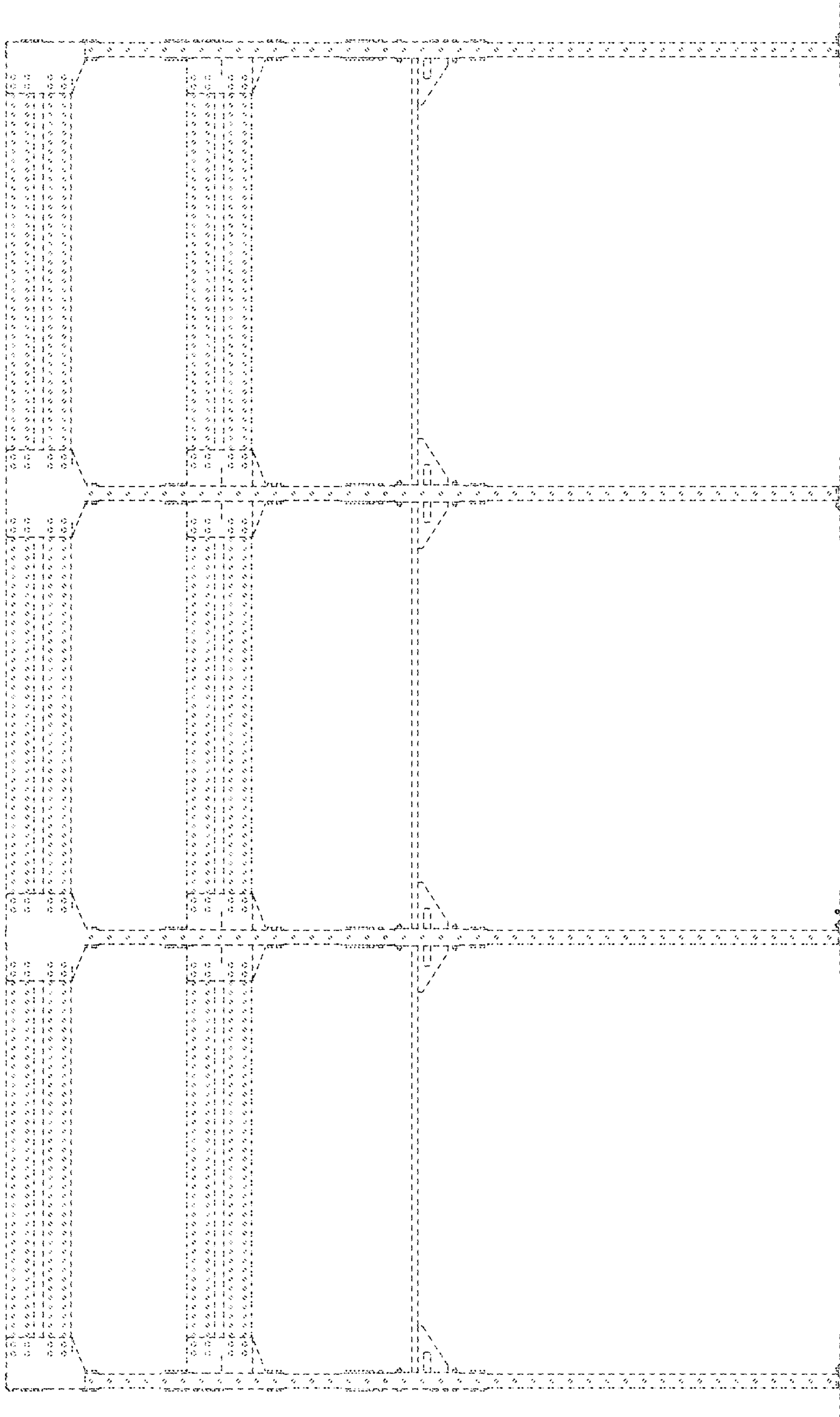


FIG. 4

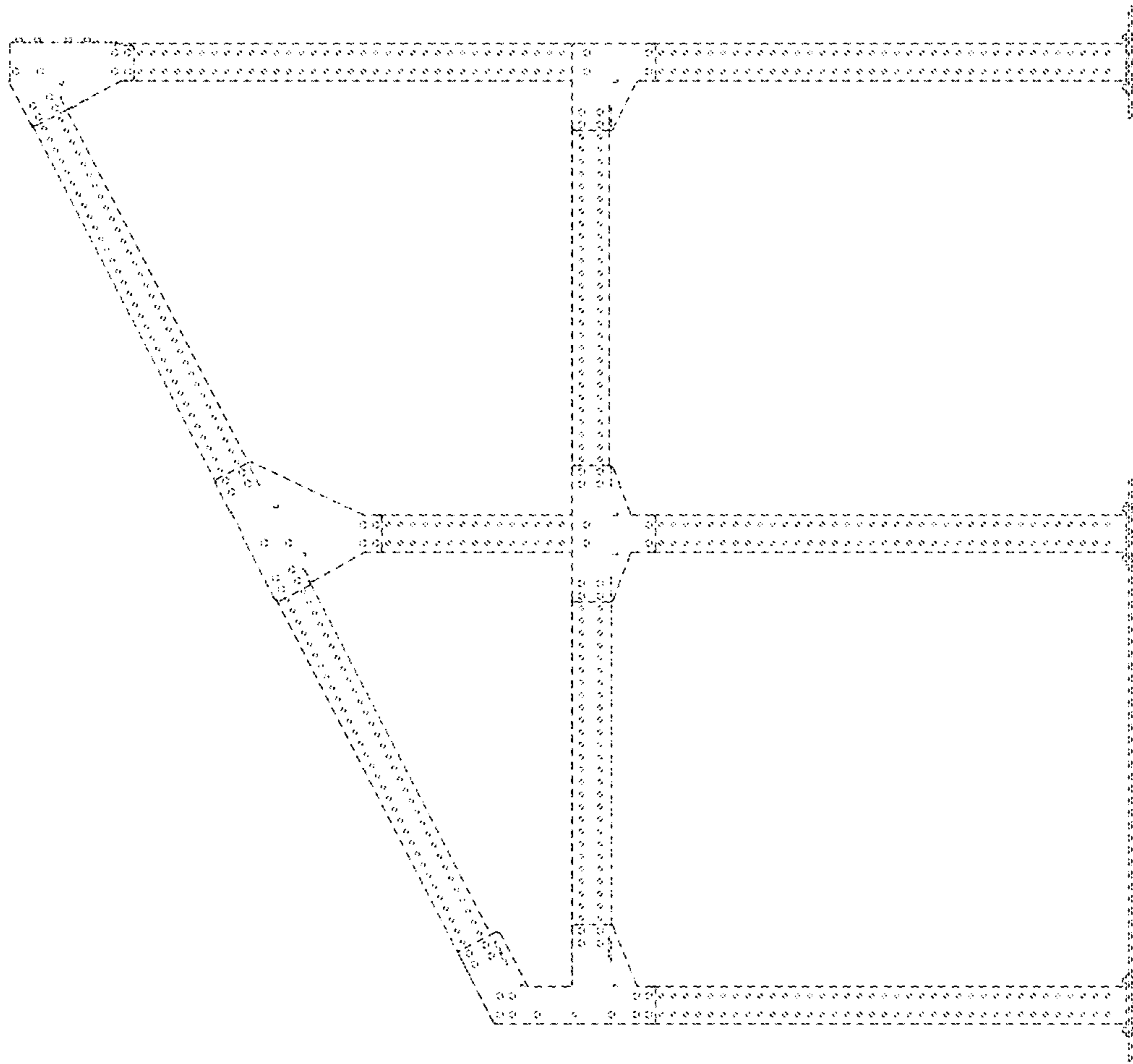


FIG. 5

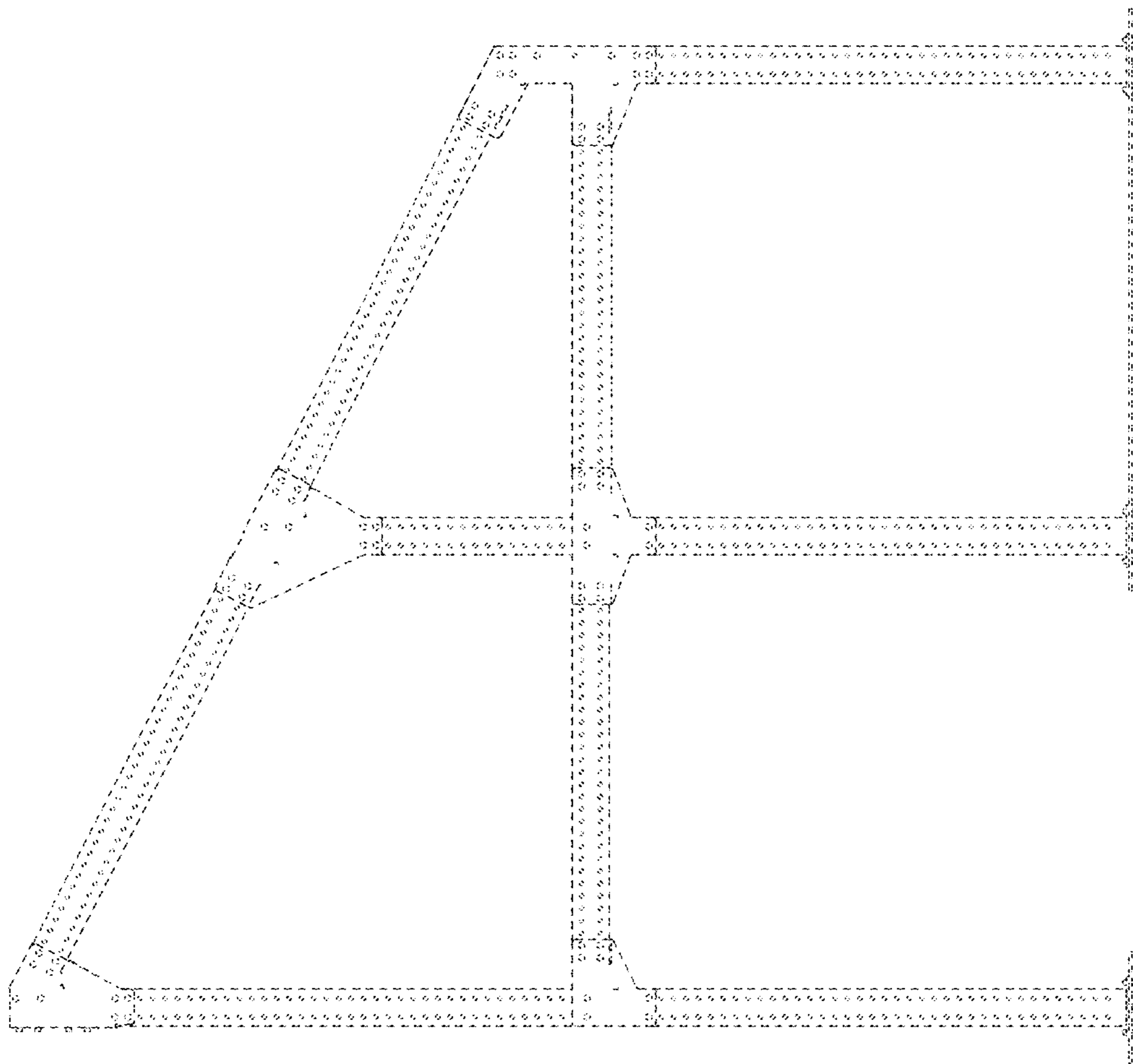


FIG. 6

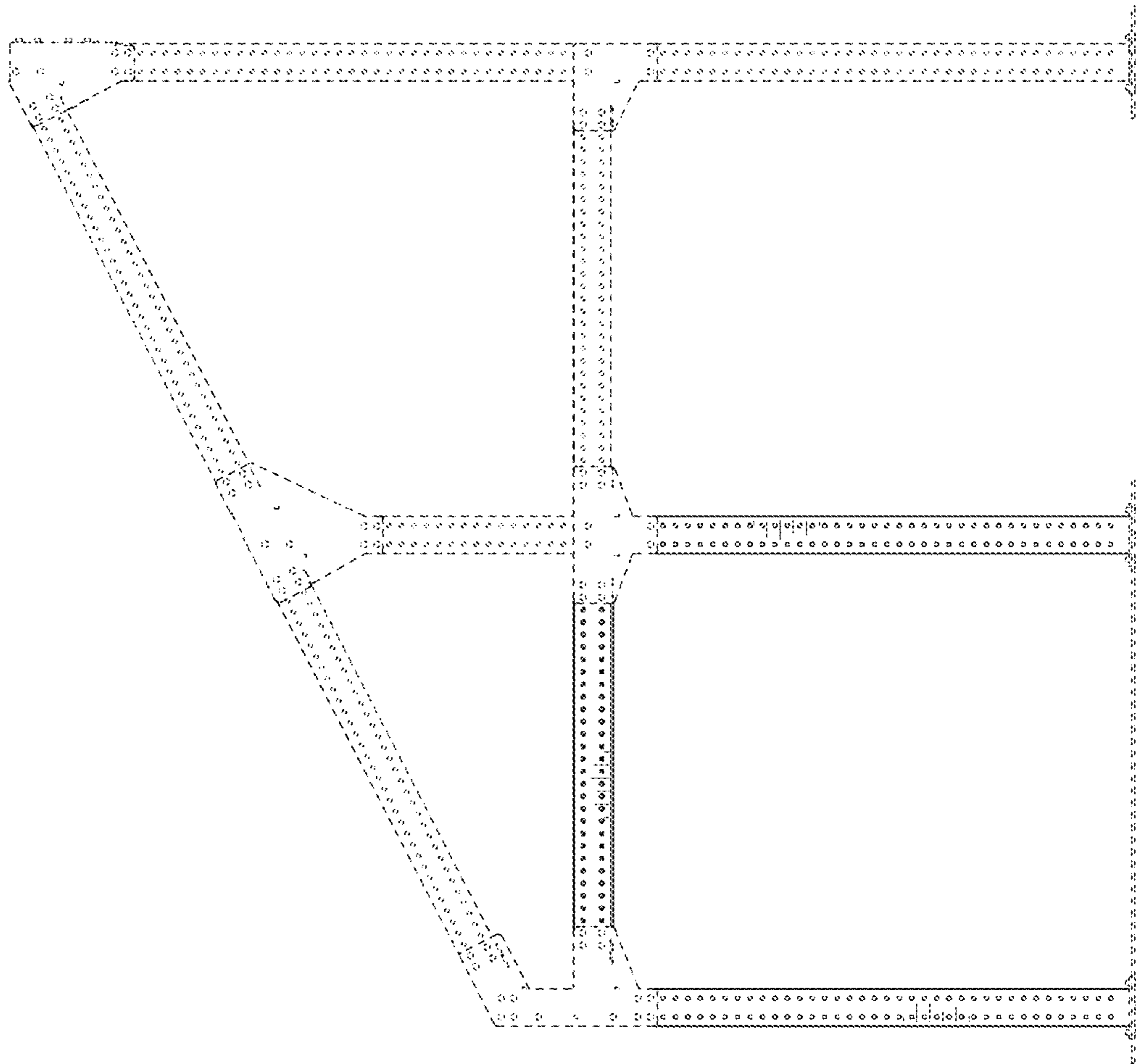


FIG. 7

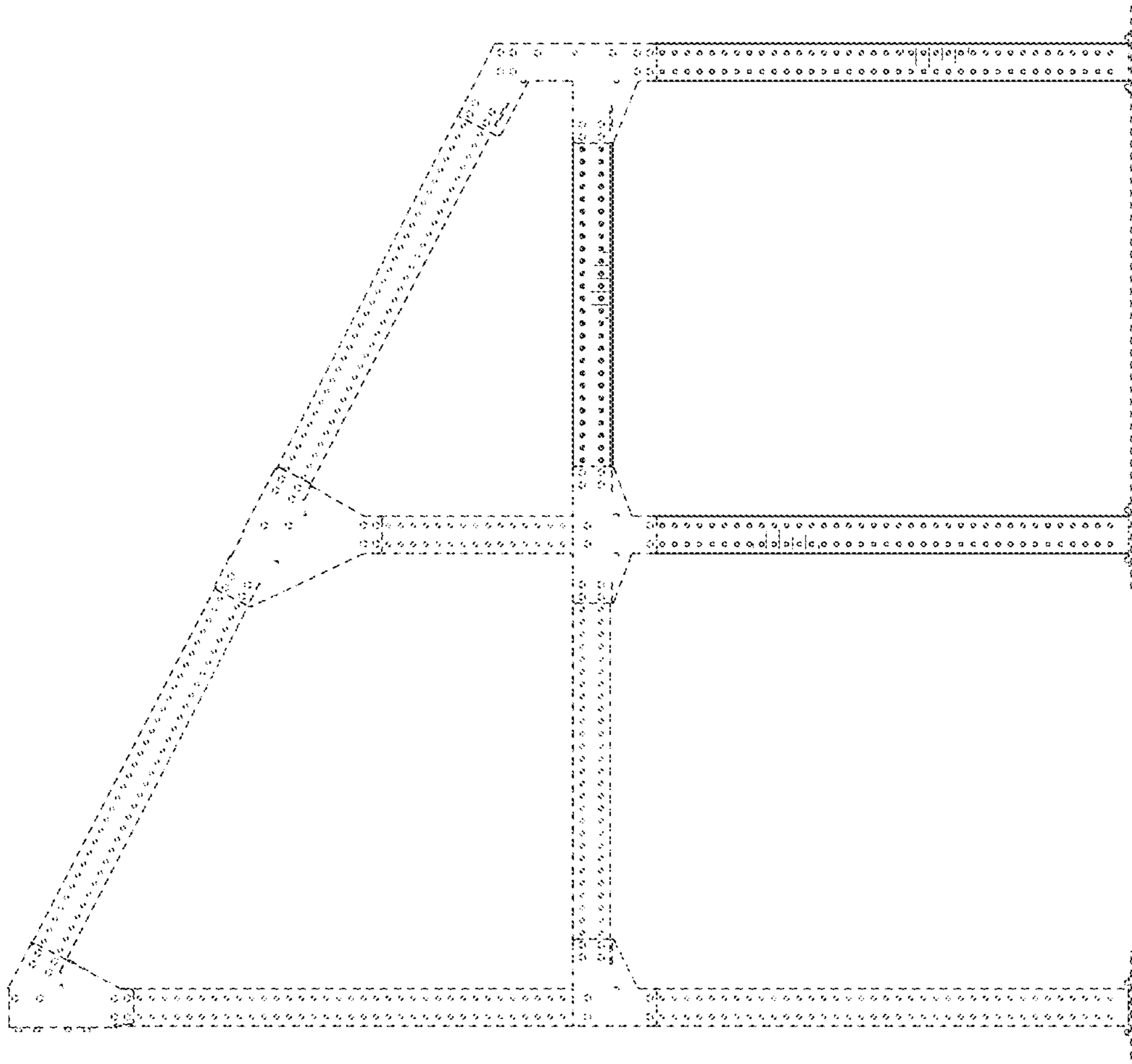


FIG. 8

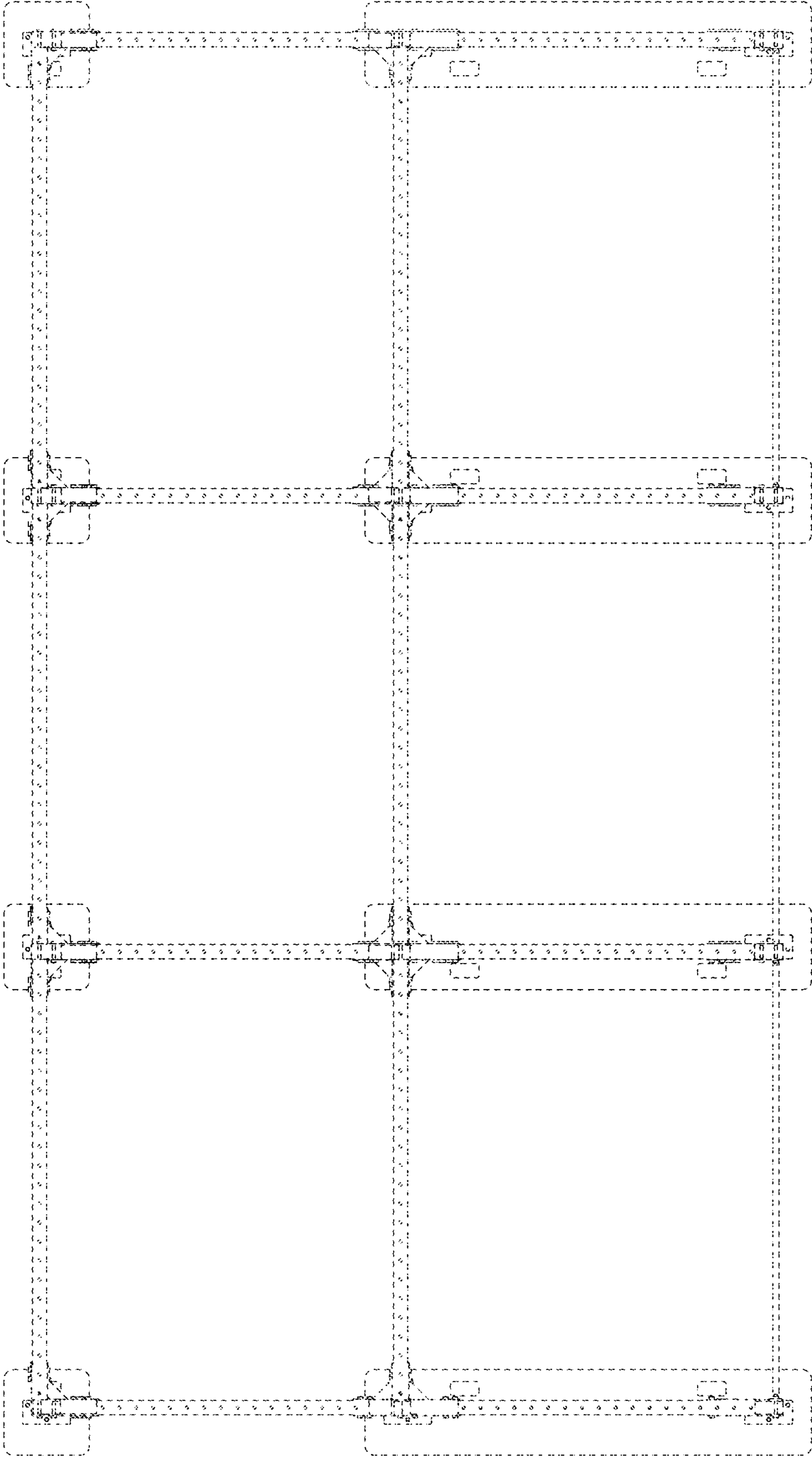


FIG. 9