



US00D883405S

(12) **United States Design Patent** (10) **Patent No.:** **US D883,405 S**
Dunahay (45) **Date of Patent:** **** May 5, 2020**

(54) **WALL MOUNTED EXERCISE RACK**

(71) Applicant: **Coulter Ventures LLC**, Columbus, OH (US)
(72) Inventor: **Nash Dunahay**, Gahanna, OH (US)
(73) Assignee: **Coulter Ventures, LLC.**, Columbus, OH (US)

(**) Term: **15 Years**

(21) Appl. No.: **29/650,253**

(22) Filed: **Jun. 5, 2018**

(51) **LOC (12) Cl.** **21-02**

(52) **U.S. Cl.**
USPC **D21/686**; D8/354

(58) **Field of Classification Search**
USPC 312/351.1, 351.3, 351.5; 482/92, 94, 98, 482/99, 101, 104; D21/662, 673, 686, D21/691, 694, 826; D25/62, 66, 68, 119, D25/126, 136; D6/329; D8/323, 354
CPC A63B 21/00047; A63B 1/00; A63B 21/16; A63B 22/0046; A63B 21/078; A63B 21/169; A63B 2225/10; A63B 71/023
See application file for complete search history.

(56) **References Cited**

U.S. PATENT DOCUMENTS

88,047 A * 3/1869 Lawrence A63B 21/154
482/92
1,410,149 A 3/1922 Williams
2,855,200 A 10/1958 Blickman
D210,469 S 3/1968 Sejersen
D265,111 S * 6/1982 Lynn D21/673
(Continued)

FOREIGN PATENT DOCUMENTS

EP 2400205 A1 12/2011
WO 2008054720 A2 5/2008
WO 2009003280 A1 1/2009

OTHER PUBLICATIONS

Rogue product advertisement dated Dec. 3, 2015 (redacted).
(Continued)

Primary Examiner — Cynthia Ramirez
Assistant Examiner — Michael A Maharajh
(74) *Attorney, Agent, or Firm* — Banner & Witcoff, Ltd.

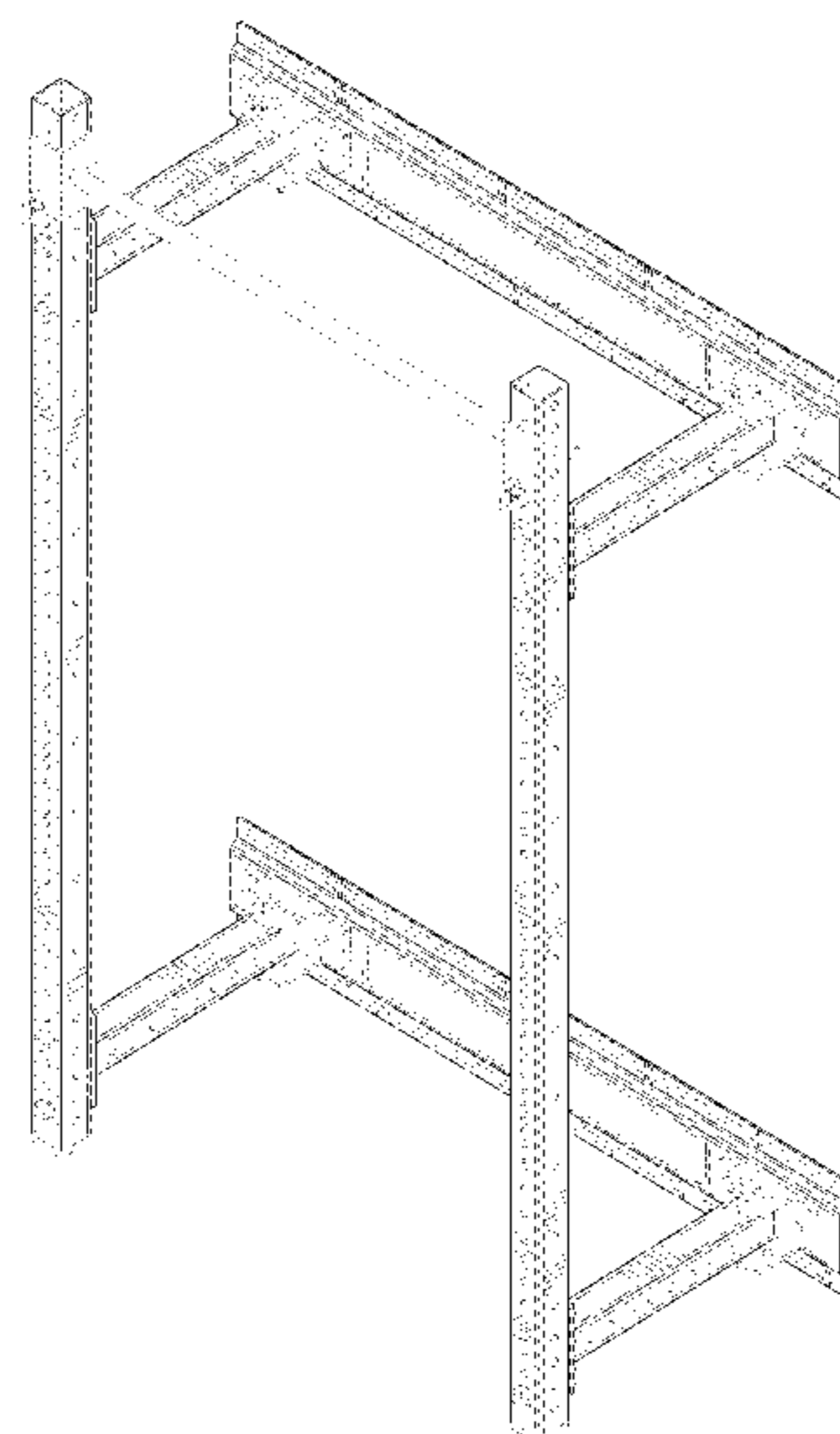
(57) **CLAIM**

The ornamental design for a wall mounted exercise rack, as shown and described.

DESCRIPTION

FIG. 1 is a top, front, right perspective view of a wall mounted exercise rack in an open configuration showing my new design;
FIG. 2 is a top, front, left perspective view thereof;
FIG. 3 is a top view thereof;
FIG. 4 is a bottom view thereof;
FIG. 5 is a right side view thereof;
FIG. 6 is a left side view thereof;
FIG. 7 is a front view thereof;
FIG. 8 is a bottom, front, right perspective view thereof;
FIG. 9 is a top, front, right perspective view of the wall mounted exercise rack of FIGS. 1-8 in a closed configuration showing my new design;
FIG. 10 is a top, front, left perspective view thereof;
FIG. 11 is a top view thereof;
FIG. 12 is a bottom view thereof;
FIG. 13 is a right side view thereof;
FIG. 14 is a left side view thereof;
FIG. 15 is a front view thereof; and,
FIG. 16 is a bottom, front, right perspective view thereof.
The broken lines immediately adjacent to the shaded area are directed to boundary lines, which form no part of the claimed design. The broken lines in the drawings are for the purpose of illustrating portions of the wall mounted exercise rack, which form no part of the claimed design.

1 Claim, 16 Drawing Sheets



(56)

References Cited

U.S. PATENT DOCUMENTS

D269,691 S	7/1983	Ornstein et al.	9,409,048 B1	8/2016	Hopperstad et al.
D273,997 S	5/1984	Ryan	9,492,701 B1 *	11/2016	Bognatz A63B 21/072
D276,656 S	12/1984	Lindstrom	9,498,670 B1	11/2016	Hopperstad et al.
D290,033 S	5/1987	Policastro	9,517,382 B2	12/2016	Payne
D297,957 S	10/1988	Gordon, III	9,649,525 B2	5/2017	Hopperstad et al.
4,934,693 A *	6/1990	Santoro A63B 21/078	9,675,829 B1	6/2017	Katz
		482/104	9,700,761 B2	7/2017	Beaver et al.
4,961,295 A	10/1990	Kosch, Sr. et al.	9,844,691 B2	12/2017	Hopperstad et al.
5,046,722 A	9/1991	Antoon	D816,173 S	4/2018	Jackson
5,135,077 A *	8/1992	Shalders E04G 1/14	9,993,678 B2	6/2018	Hopperstad et al.
		182/118	D836,617 S *	12/2018	Shu D14/239
5,184,992 A *	2/1993	Banks A63B 21/06	D852,907 S *	7/2019	Sergakis D21/686
		482/104	D853,587 S	7/2019	Jackson et al.
5,273,506 A	12/1993	Dawson, Jr.	D853,588 S	7/2019	Jackson et al.
D344,601 S	2/1994	Jenkins et al.	D853,589 S	7/2019	Jackson et al.
5,290,209 A	3/1994	Wilkinson	D857,241 S	8/2019	Sakamoto et al.
5,306,220 A *	4/1994	Kearney A63B 23/00	2001/0034289 A1 *	10/2001	Parrillo A63B 23/035
		482/99			482/94
D355,005 S	1/1995	Voohanel, Jr.	2002/0082145 A1	6/2002	Hamilton
D358,623 S *	5/1995	Macasieb D21/691	2003/0222041 A1	12/2003	Hong et al.
5,669,859 A *	9/1997	Liggett A63B 21/078	2005/0130806 A1	6/2005	Lopez
		482/94	2006/0003875 A1 *	1/2006	Sharps A63B 21/0608
					482/94
5,776,033 A	7/1998	Brown	2006/0065800 A1	3/2006	Bremmon
D408,480 S *	4/1999	Haugo D21/691	2006/0145038 A1	7/2006	Chen
6,116,550 A	9/2000	Forbes	2007/0072750 A1 *	3/2007	Andrews A63B 21/078
6,129,651 A	10/2000	Denaro			482/104
D486,020 S	2/2004	Hoernig	2007/0203002 A1 *	8/2007	Webber A63B 21/078
D486,337 S	2/2004	Hoernig			482/104
D514,857 S	2/2006	Hoernig	2009/0105052 A1	4/2009	Dalebout et al.
D525,668 S	7/2006	Payne	2009/0124471 A1	5/2009	Storch
7,316,379 B1	1/2008	Graham	2010/0044536 A1	2/2010	Huang
7,374,516 B2 *	5/2008	Lundquist A63B 21/078	2010/0048368 A1	2/2010	Donofrio
		482/104	2010/0171017 A1	7/2010	Chang
			2012/0094812 A1	4/2012	Smiley
7,523,907 B2	4/2009	Chen	2012/0329614 A1 *	12/2012	Schiano A63B 21/078
D593,169 S	5/2009	Storch			482/104
7,534,200 B1 *	5/2009	Martinez A63B 21/00047	2013/0237394 A1	9/2013	Fowler
		482/142	2013/0260970 A1	10/2013	Moskowich
7,549,950 B1 *	6/2009	Lundquist A63B 21/078	2013/0296143 A1 *	11/2013	Staten A63B 21/0618
		482/101			482/98
7,892,158 B2	2/2011	Varga	2014/0166834 A1	6/2014	Kuroyanagi et al.
D635,206 S *	3/2011	Henniger D21/691	2014/0256517 A1 *	9/2014	Poppinga A63B 21/078
D636,038 S *	4/2011	Henniger D21/691			482/104
D636,039 S *	4/2011	Henniger D21/691	2014/0371040 A1	12/2014	Vasquez et al.
D636,040 S *	4/2011	Henniger D21/691	2015/0016919 A1 *	1/2015	Tambornino F16B 35/06
8,047,972 B1 *	11/2011	Dean A63B 1/005			411/366.1
		482/101	2015/0059257 A1	3/2015	Beaver et al.
8,079,915 B2	12/2011	Spencer et al.	2015/0065316 A1 *	3/2015	Towley, III A63B 21/00047
D659,854 S	5/2012	Kligman			482/104
D661,412 S	6/2012	Kligman	2015/0069257 A1	3/2015	Besson
8,323,158 B2 *	12/2012	Keiser A63B 21/0087	2015/0076092 A1 *	3/2015	Tambornino A63B 21/078
		482/104			211/85.7
8,328,698 B1 *	12/2012	Webber A63B 21/078	2015/0126335 A1	5/2015	Gilson et al.
		482/104	2015/0202485 A1 *	7/2015	Towley, III A63B 23/1209
D682,955 S	5/2013	Stephan			482/104
8,500,608 B1 *	8/2013	Bonomi A63B 21/075	2015/0264823 A1	9/2015	Shirley et al.
		482/101	2015/0290488 A1	10/2015	Hopperstad et al.
8,517,900 B1 *	8/2013	Britt A63B 21/0724	2016/0023035 A1 *	1/2016	Meyer A63B 1/00
		482/104			482/38
D703,773 S	4/2014	Henry	2016/0250515 A1	9/2016	Hopperstad et al.
D711,021 S	8/2014	Singh	2016/0338512 A1	11/2016	Royak
8,992,395 B2	3/2015	Orakwusi	2016/0339291 A1	11/2016	Hopperstad et al.
9,011,298 B2 *	4/2015	Bonomi A63B 21/0414	2017/0065844 A1	3/2017	Hopperstad et al.
		482/101	2017/0072260 A1	3/2017	Jackson
9,044,629 B2	6/2015	Ross	2017/0189736 A1	7/2017	Martin
D734,410 S	7/2015	Childs et al.	2017/0209733 A1	7/2017	Beaver et al.
D735,820 S *	8/2015	Alenaddaf D21/686	2017/0239512 A1	8/2017	Brasch et al.
D735,821 S *	8/2015	Alenaddaf D21/686	2017/0246490 A1	8/2017	Hopperstad et al.
D742,540 S	11/2015	Singh	2017/0246496 A1 *	8/2017	Nelson A63B 21/4035
D742,543 S	11/2015	Singh	2018/0028852 A1 *	2/2018	Beaver A63B 71/0036
9,192,799 B2	11/2015	Alenaddaf	2018/0036573 A1 *	2/2018	Lennox A63B 21/4035
9,308,410 B2	4/2016	Beaver et al.	2018/0056108 A1 *	3/2018	Kelly F16M 13/022
D757,531 S	5/2016	Rusher	2018/0056116 A1	3/2018	Nguyen
9,333,387 B2	5/2016	Hopperstad et al.	2018/0104522 A1	4/2018	Hopperstad et al.
D764,607 S	8/2016	Beckford et al.	2018/0117382 A1 *	5/2018	Johanson A63B 21/00047
			2018/0142832 A1	5/2018	Inouye
			2018/0153305 A1	6/2018	Haines

(56)

References Cited

U.S. PATENT DOCUMENTS

2018/0154234 A1 6/2018 Pack et al.
2018/0178051 A1 6/2018 Shaw, Jr.
2018/0185694 A1* 7/2018 Schween A63B 21/078
2018/0243597 A1* 8/2018 Schlegel A63B 69/345
2018/0318635 A1* 11/2018 Lee A63B 21/078
2018/0326250 A1* 11/2018 Henniger A63B 21/068
2019/0046835 A1* 2/2019 Henniger A63B 23/1218
2019/0126088 A1* 5/2019 Henniger A63B 21/068
2019/0240521 A1* 8/2019 Staten A63B 23/1218
2019/0269992 A1* 9/2019 Dunahay A47F 5/101

OTHER PUBLICATIONS

Rogue fitness product video screenshots from <<https://www.youtube.com/watch?v=TRpmZ68p5Hw>>, dated Sep. 19, 2017.

Gorila Fitness product advertisement dated Apr. 16, 2018 (redacted).

Bulldog Gear product advertisement dated Jan. 11, 2018.

Pure Strength product listing dated Sep. 6, 2018 from <<https://www.pure-strength.com/collections/slim-gym-utility-plate>>.

Titan Fitness product listing dated Sep. 6, 2018 from <<https://www.titan.fitness/t-3-folding-power-rack-stringers.html>>.

Titan Fitness product listing dated Sep. 6, 2018 from <<https://www.titan.fitness/41-inch-deep-folding-wall-mount-rack.html>> (product known to be available as of Mar. 2, 2016).

Product listing for Rogue V2 Face Mount Pull-up Bar for Monster Lite from <https://web.archive.org/web/20161105161238/https://www.roguefitness.com/rogue-v2-face-mount-pull-up-bar-for-monster-lite>, dated Nov. 5, 2016.

Jan. 11, 2019—(WO) ISR and WO—App No. PCT/US2018/059018.

* cited by examiner

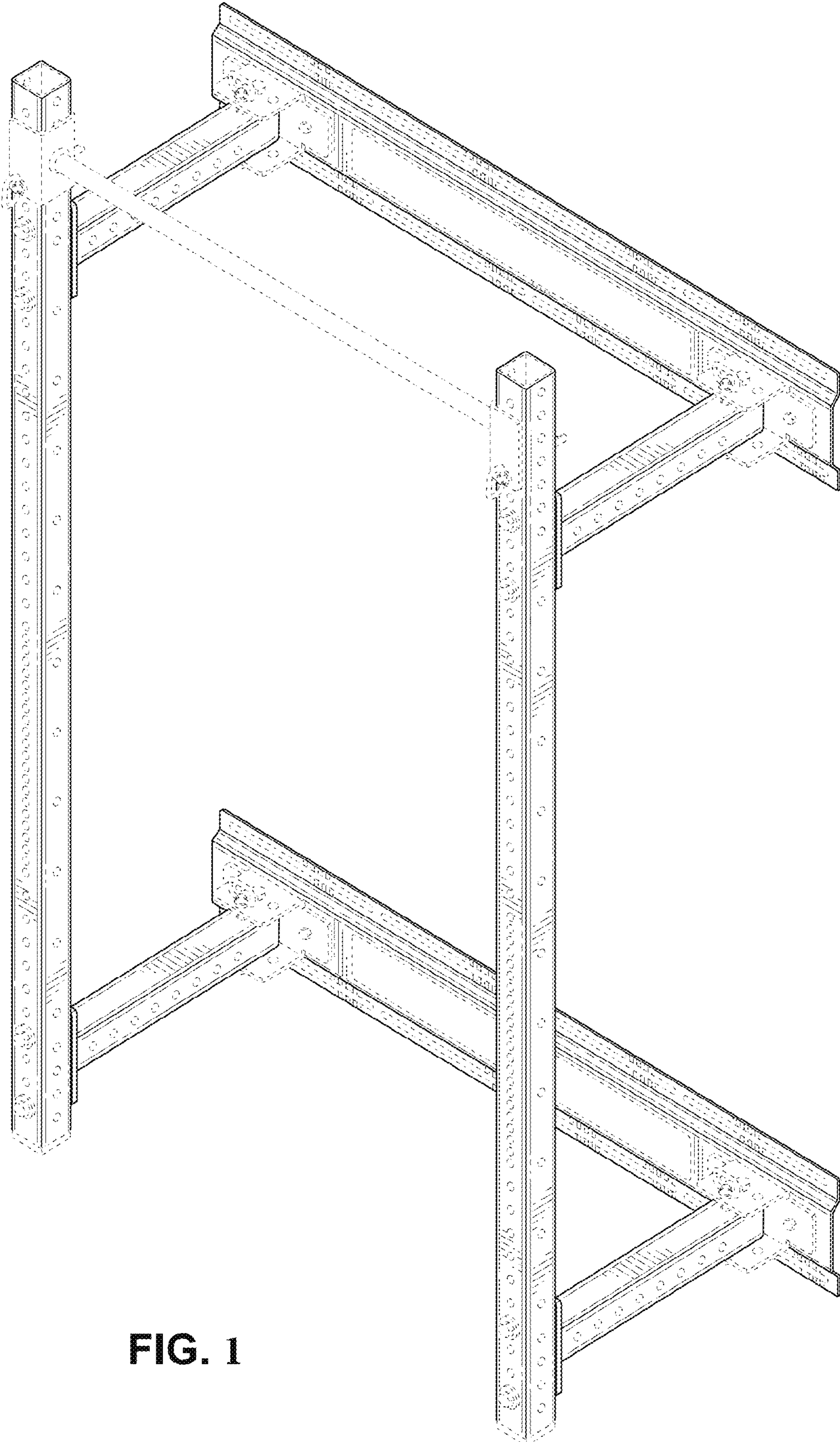


FIG. 1

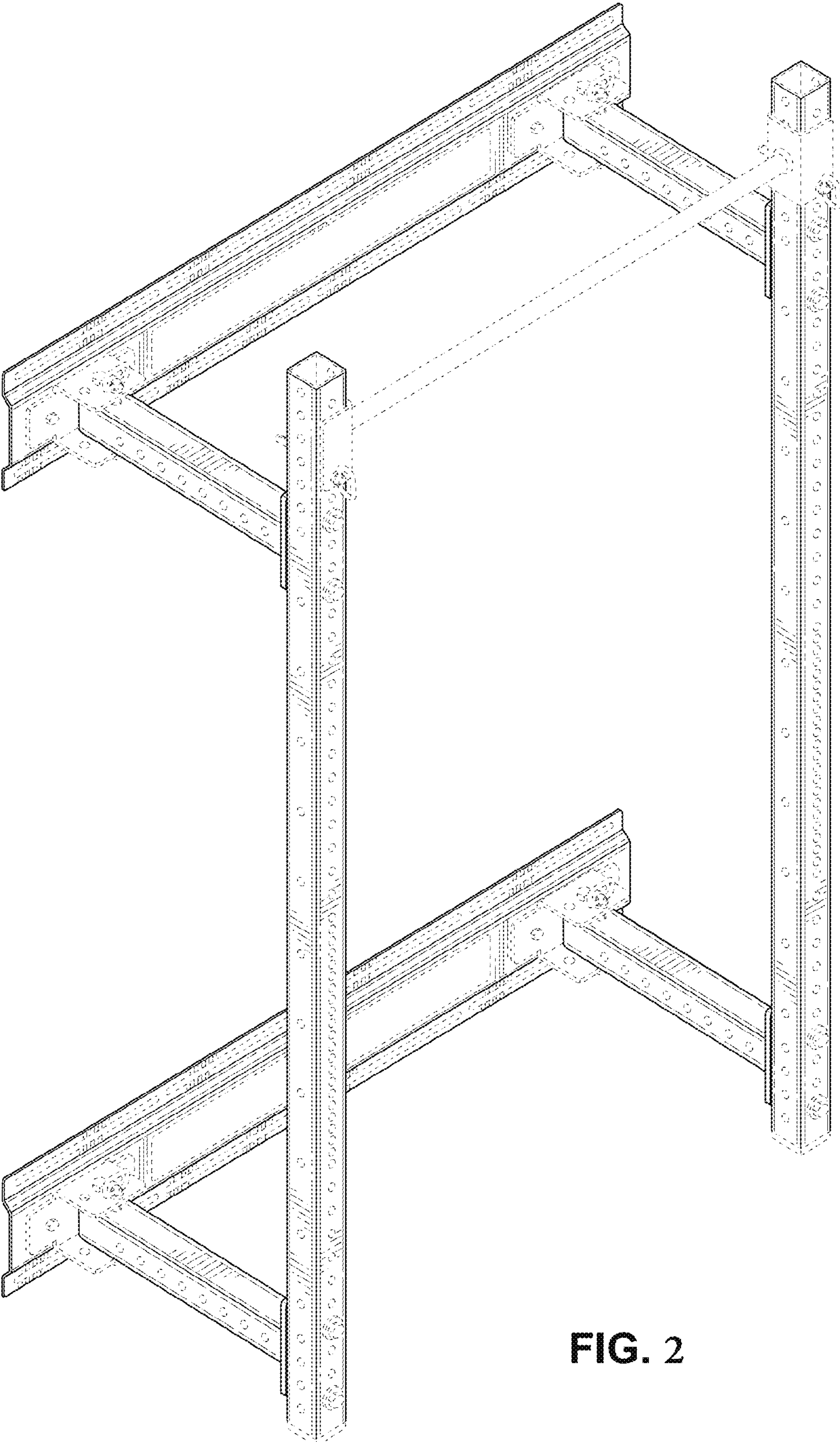


FIG. 2

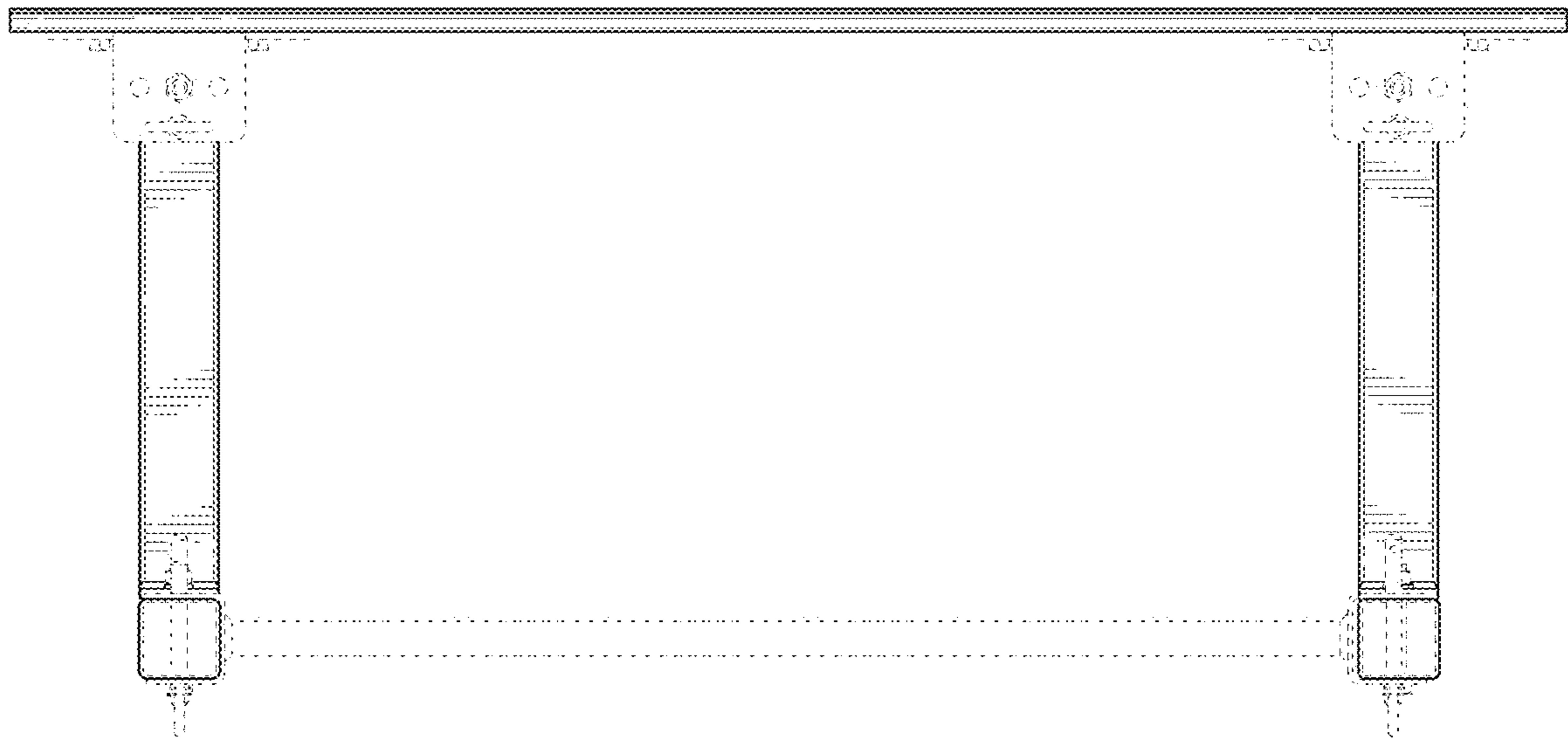


FIG. 3



FIG. 4

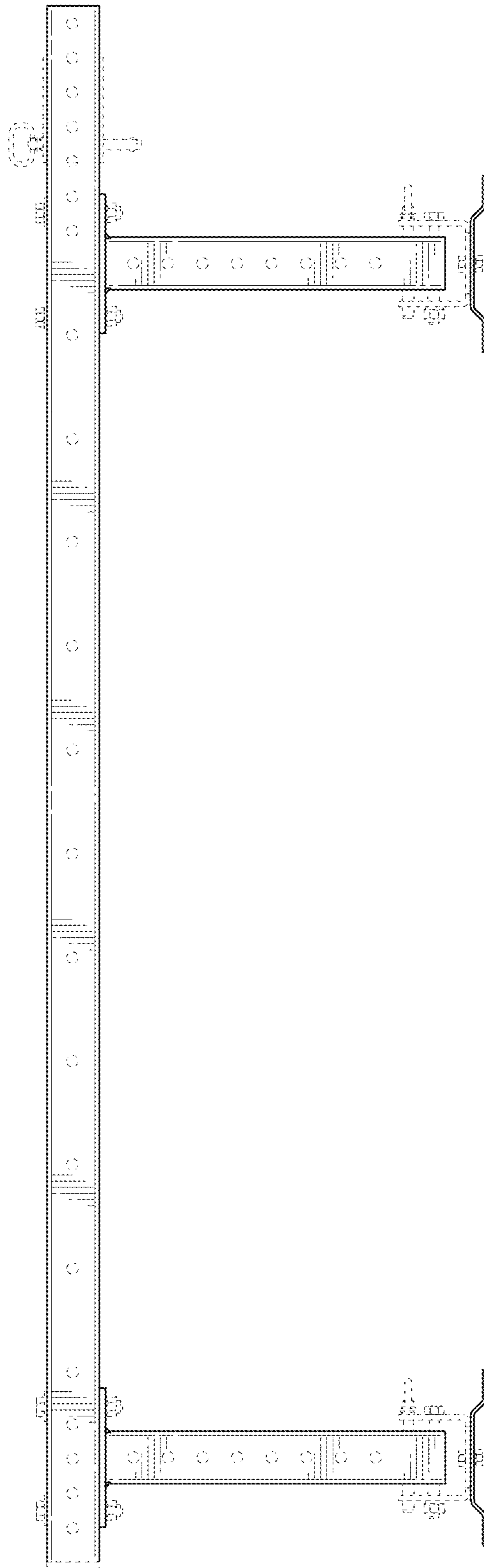


FIG. 5

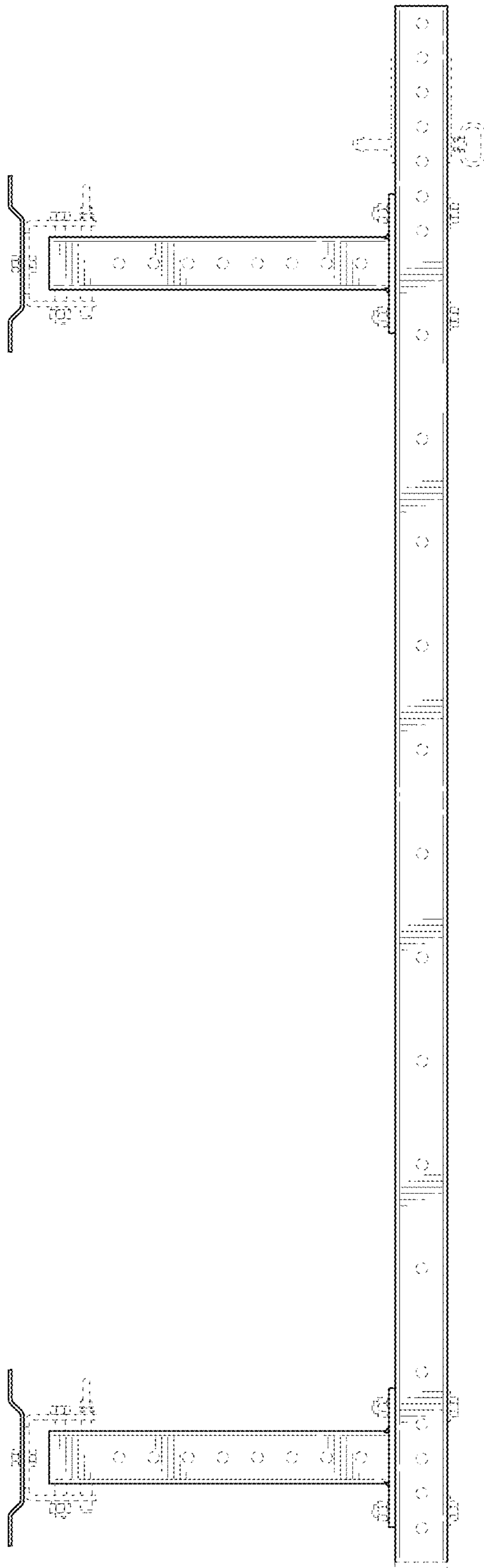


FIG. 6

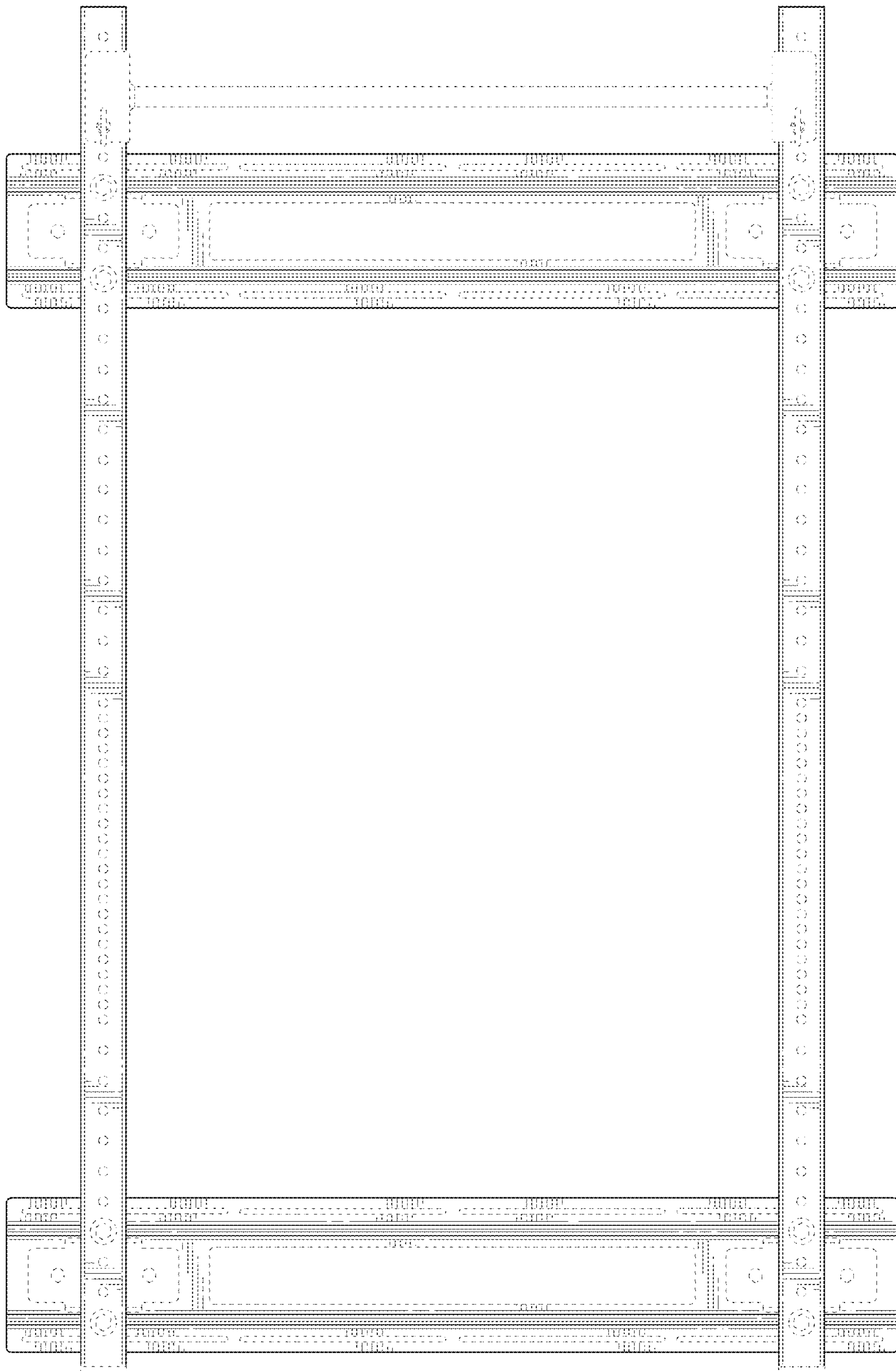


FIG. 7

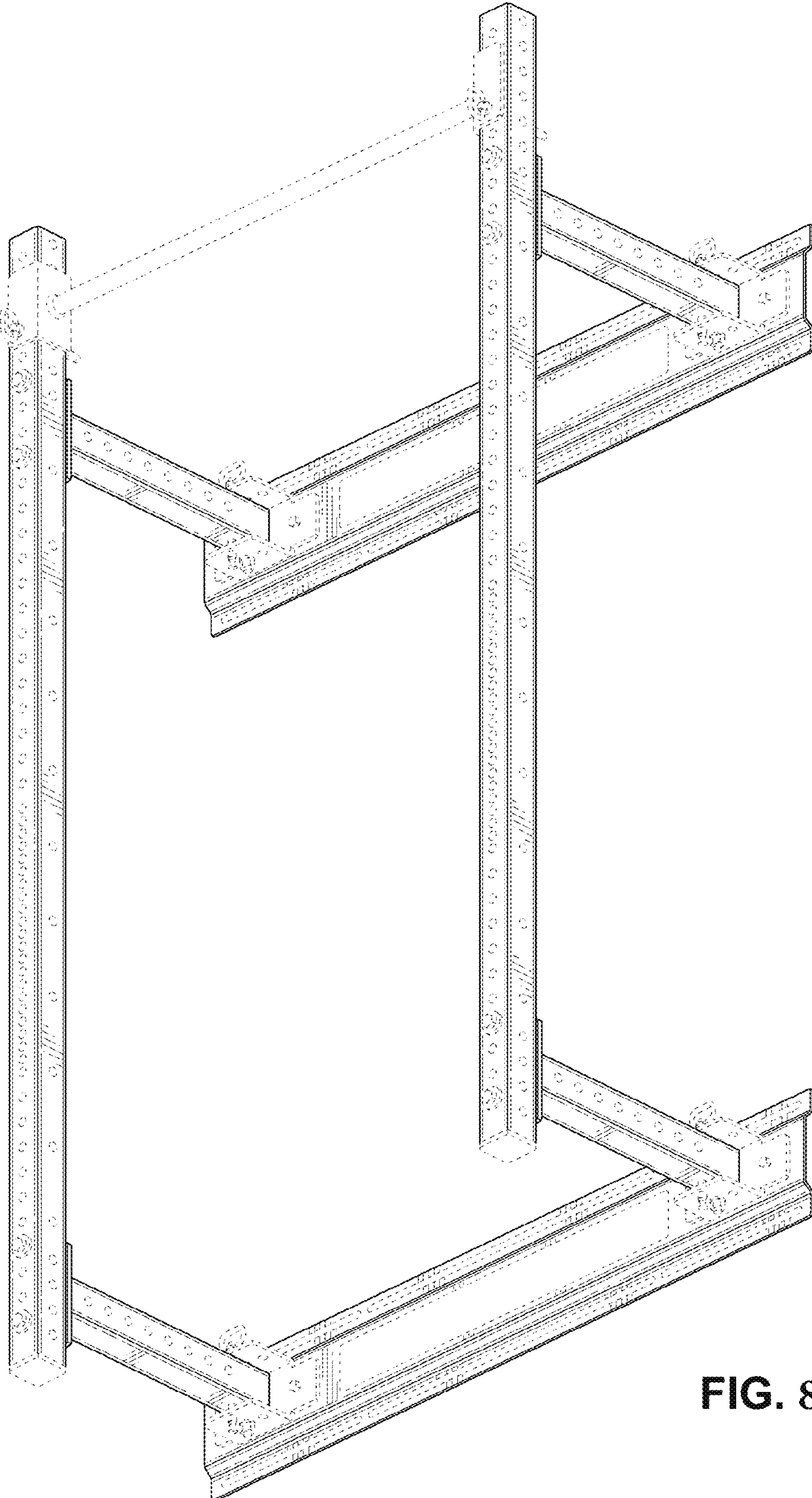


FIG. 8

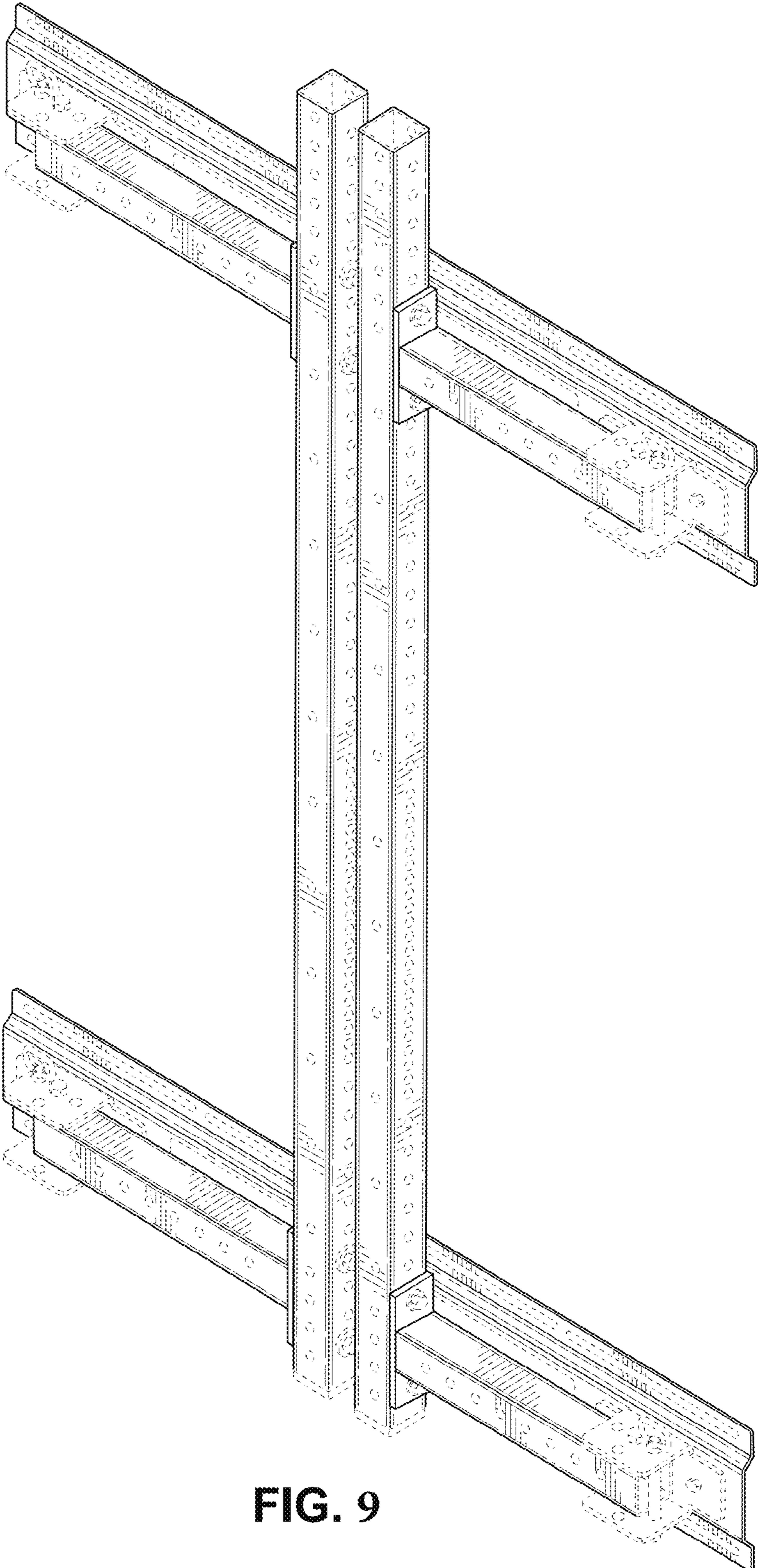


FIG. 9

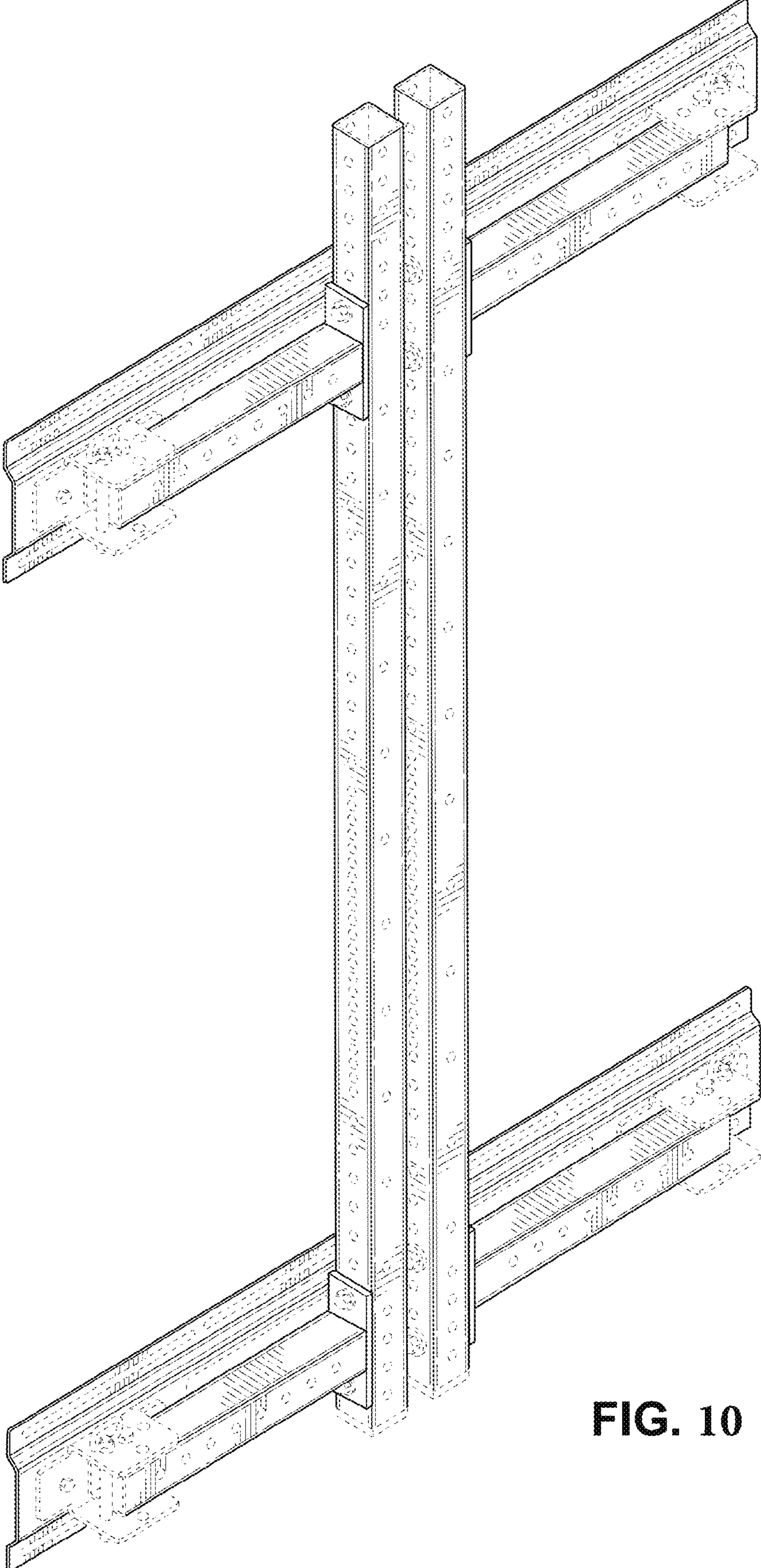


FIG. 10

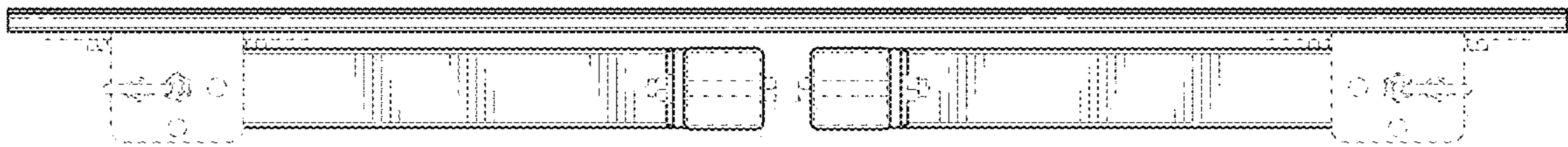


FIG. 11

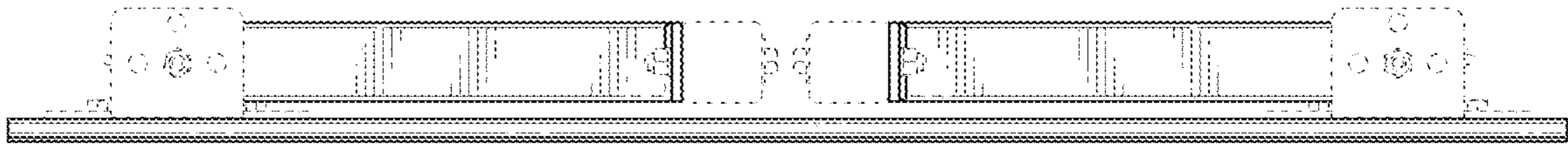


FIG. 12

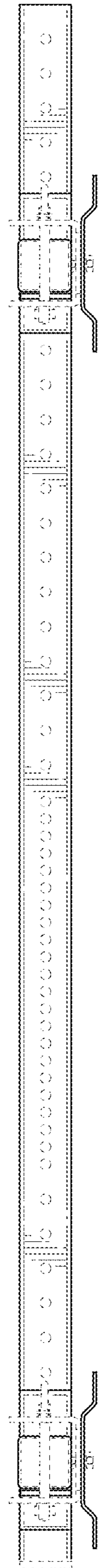


FIG. 13

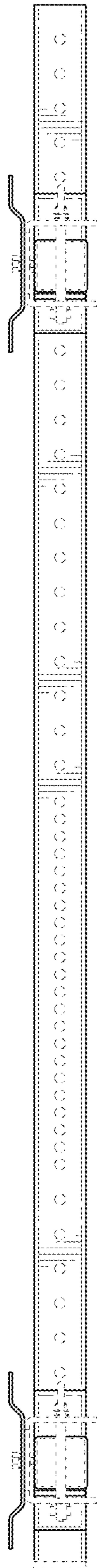


FIG. 14

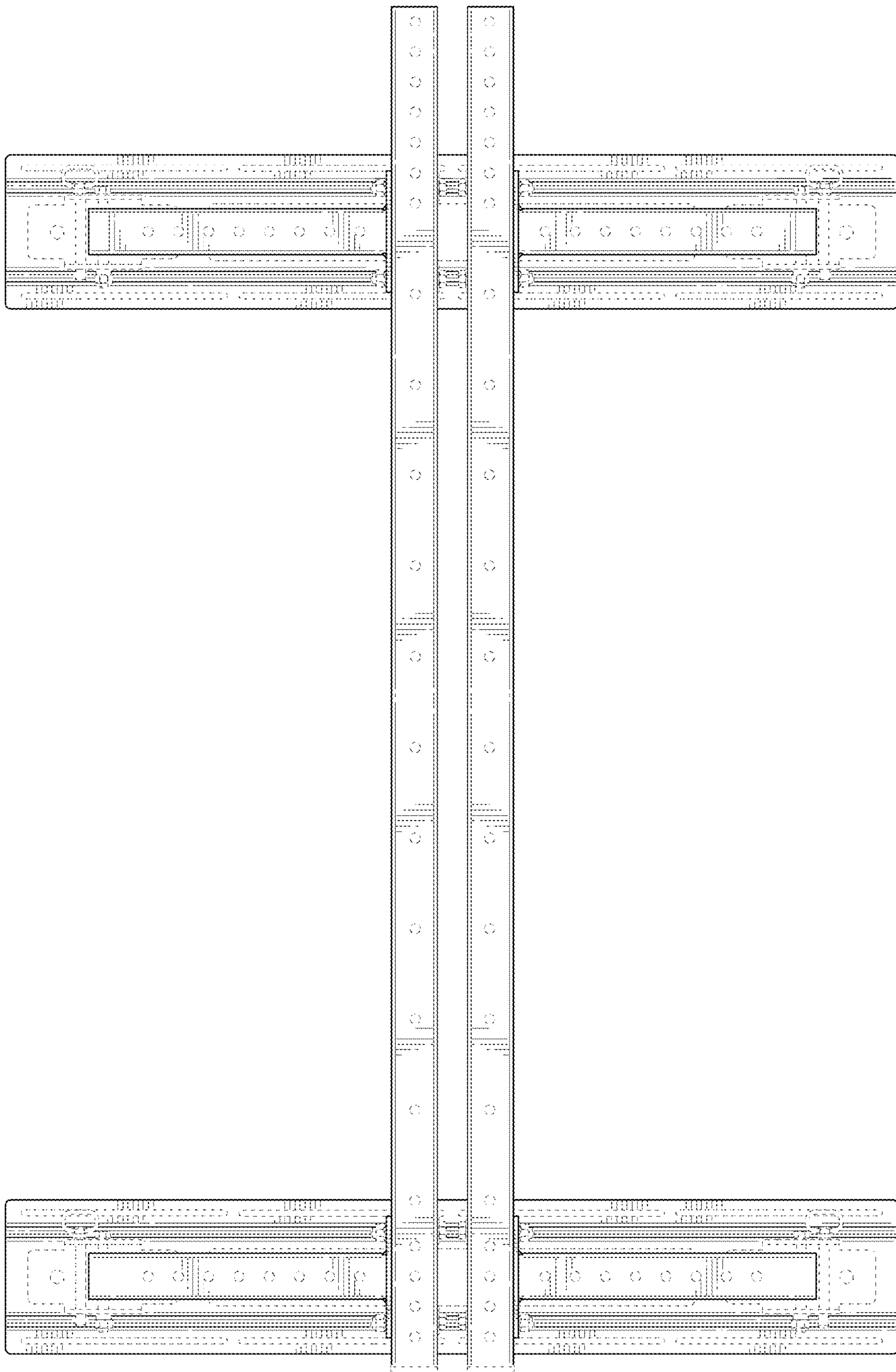


FIG. 15

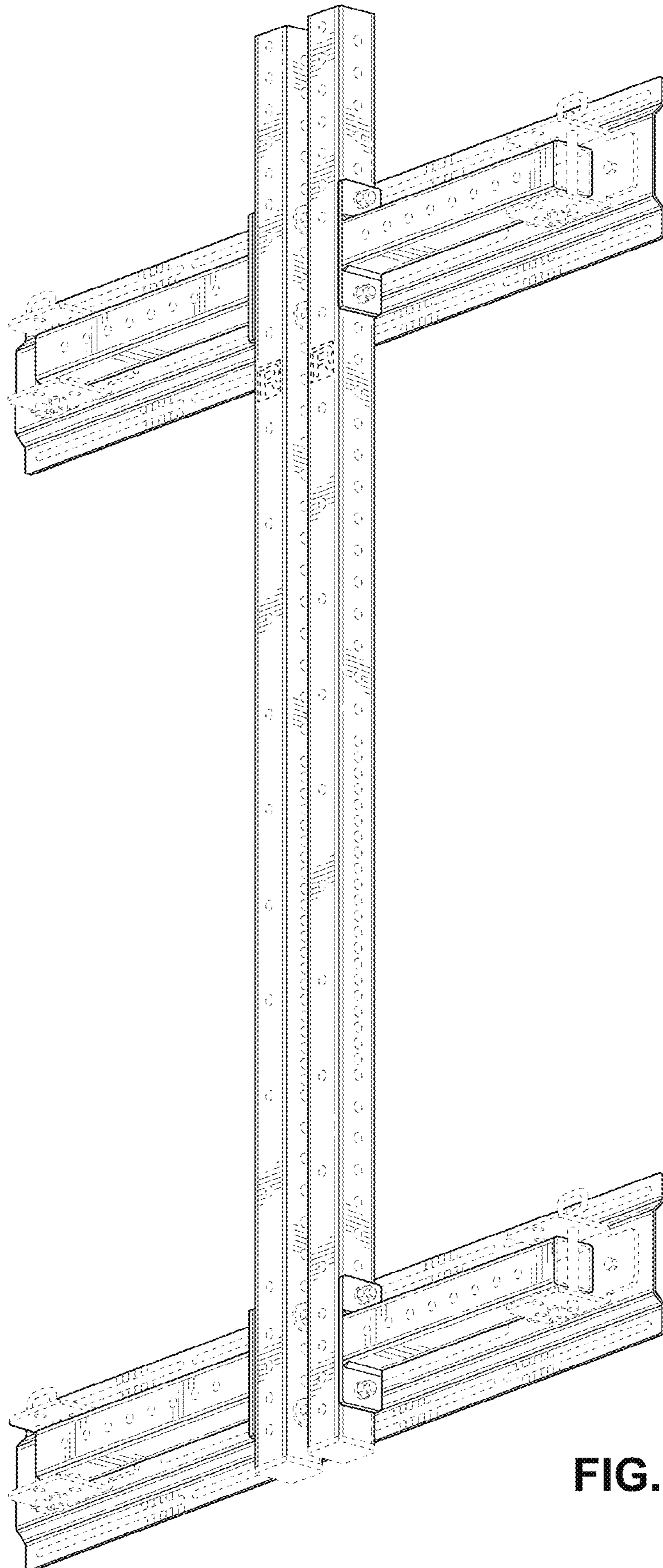


FIG. 16