



US00D883403S

(12) **United States Design Patent** (10) **Patent No.:** **US D883,403 S**
Chen (45) **Date of Patent:** **** May 5, 2020**

(54) **T-REX TOY**

(71) Applicant: **Huanqun Chen**, Guangdong (CN)

(72) Inventor: **Huanqun Chen**, Guangdong (CN)

(**) Term: **15 Years**

(21) Appl. No.: **29/685,357**

(22) Filed: **Mar. 28, 2019**

(30) **Foreign Application Priority Data**

Sep. 29, 2018 (CN) 2018 3 0550044

(51) **LOC (12) Cl.** **21-01**

(52) **U.S. Cl.**
USPC **D21/615; D21/578**

(58) **Field of Classification Search**
USPC D6/598; D11/158-159, 162;
D21/576-596, 598, 604-605, 611-613,
D21/615, 617-618, 621; 446/99, 268,
446/368-369, 376, 428, 487; 180/8.6;
D30/160

CPC ... A63H 3/00; A63H 3/02; A63H 3/04; A63H
3/16; A63H 3/28; A63H 3/36; A63H
7/06; A63H 11/00; A63H 11/10; A63H
11/20; A63H 11/205; A63H 13/00; A63H
33/04; A63H 33/08; A63H 33/042; A63H
23/10; A63H 5/00

See application file for complete search history.

(56) **References Cited**

U.S. PATENT DOCUMENTS

D479,862 S *	9/2003	Takahashi	D21/578
D663,792 S *	7/2012	Wong	D21/578
D762,271 S *	7/2016	Chow	D21/578
D798,967 S *	10/2017	Tompkin	D21/615
D836,170 S *	12/2018	Tompkin	D21/615
D854,631 S *	7/2019	Liu	D21/615

* cited by examiner

Primary Examiner — Sandra L Morris

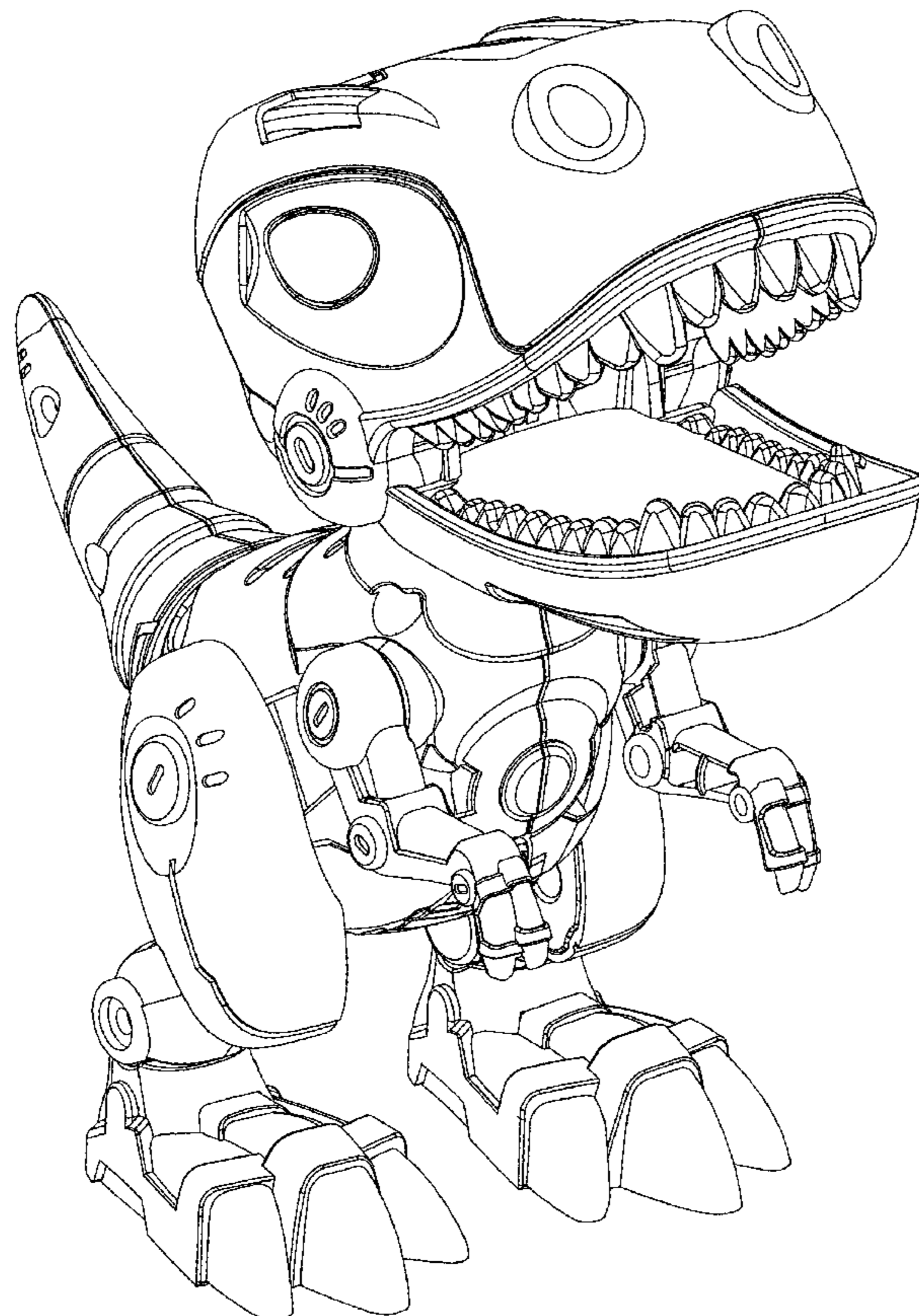
(57) **CLAIM**

The ornamental design for a T-Rex Toy, as shown.

DESCRIPTION

FIG. 1 is a front elevational view of a T-Rex Toy showing my new design;
FIG. 2 is a rear elevational view thereof;
FIG. 3 is a left side view thereof;
FIG. 4 is a right side view thereof;
FIG. 5 is a top plan view thereof;
FIG. 6 is a bottom plan view thereof;
FIG. 7 is a perspective view thereof;
FIG. 8 is a second perspective view thereof;
FIG. 9 is a third perspective view thereof; and,
FIG. 10 is a fourth perspective view thereof.

1 Claim, 10 Drawing Sheets



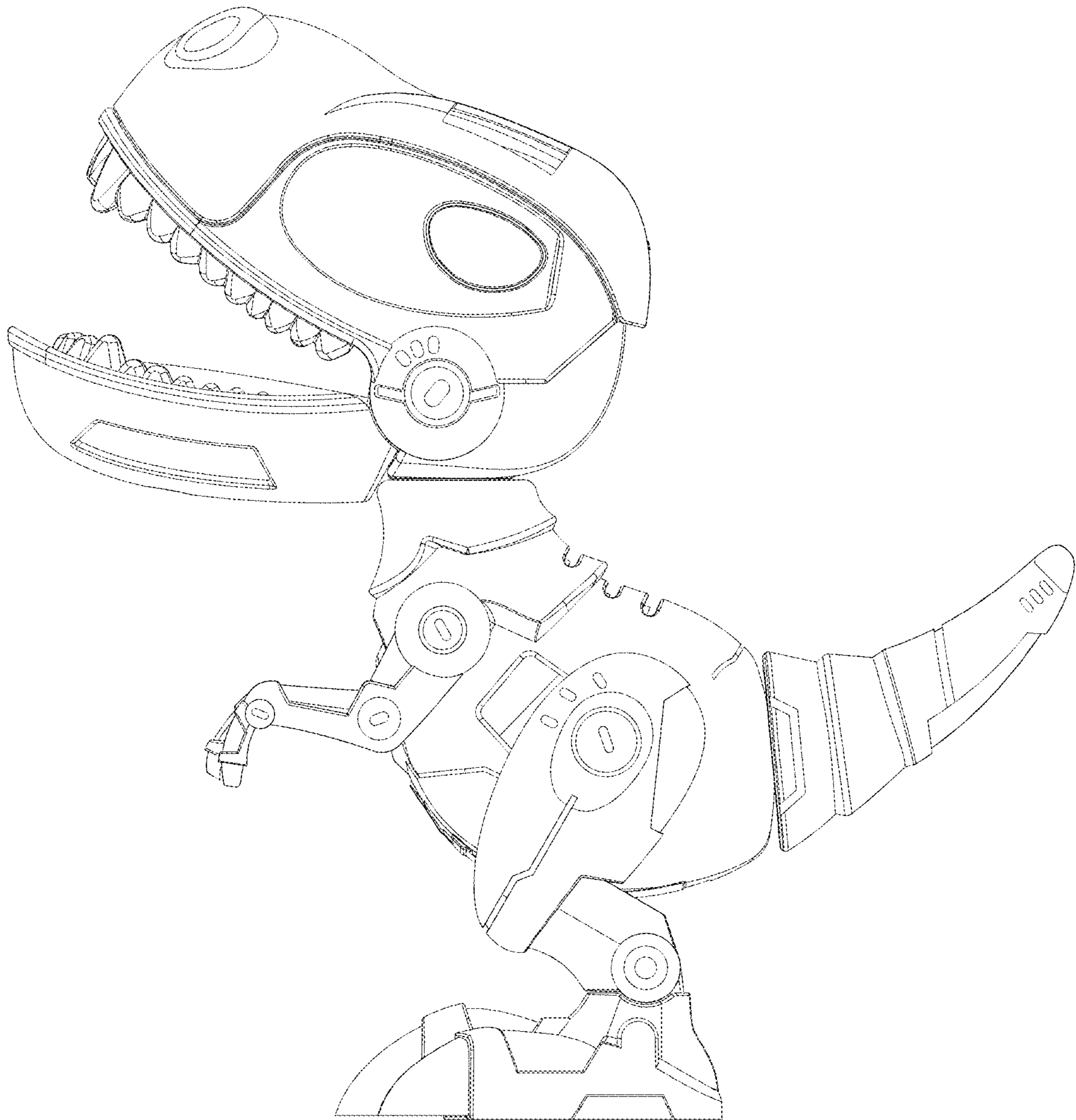


FIG. 1

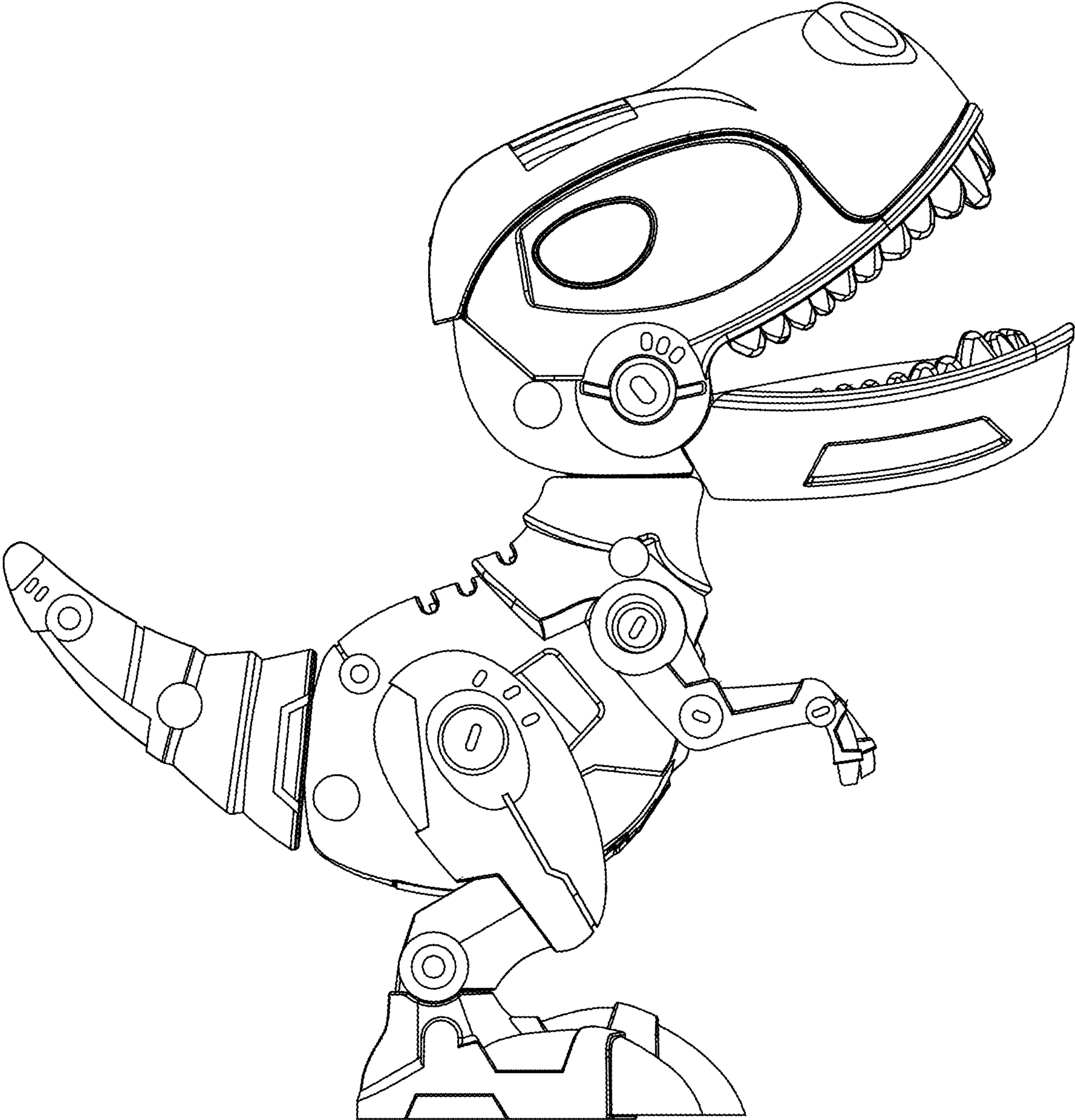


FIG. 2

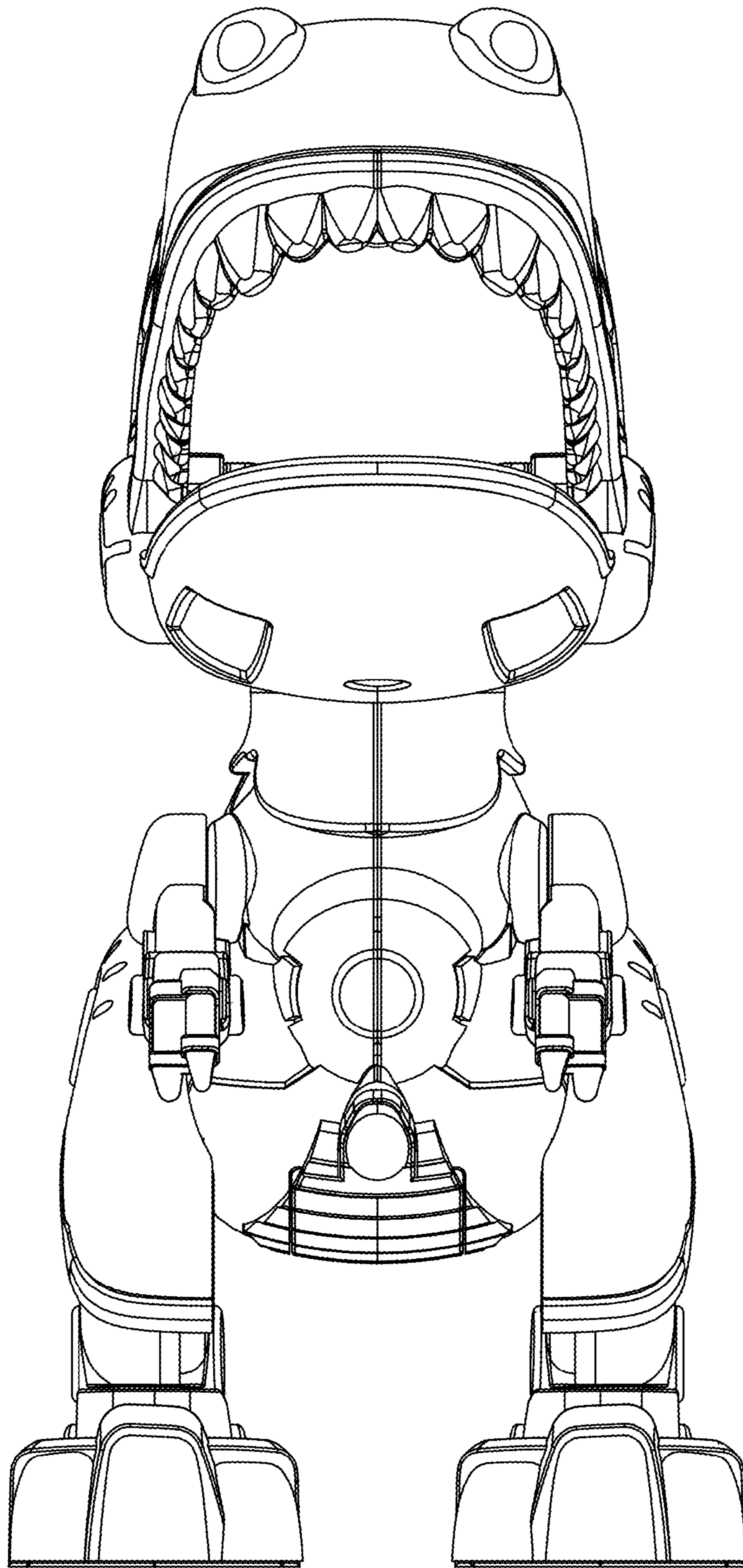


FIG. 3

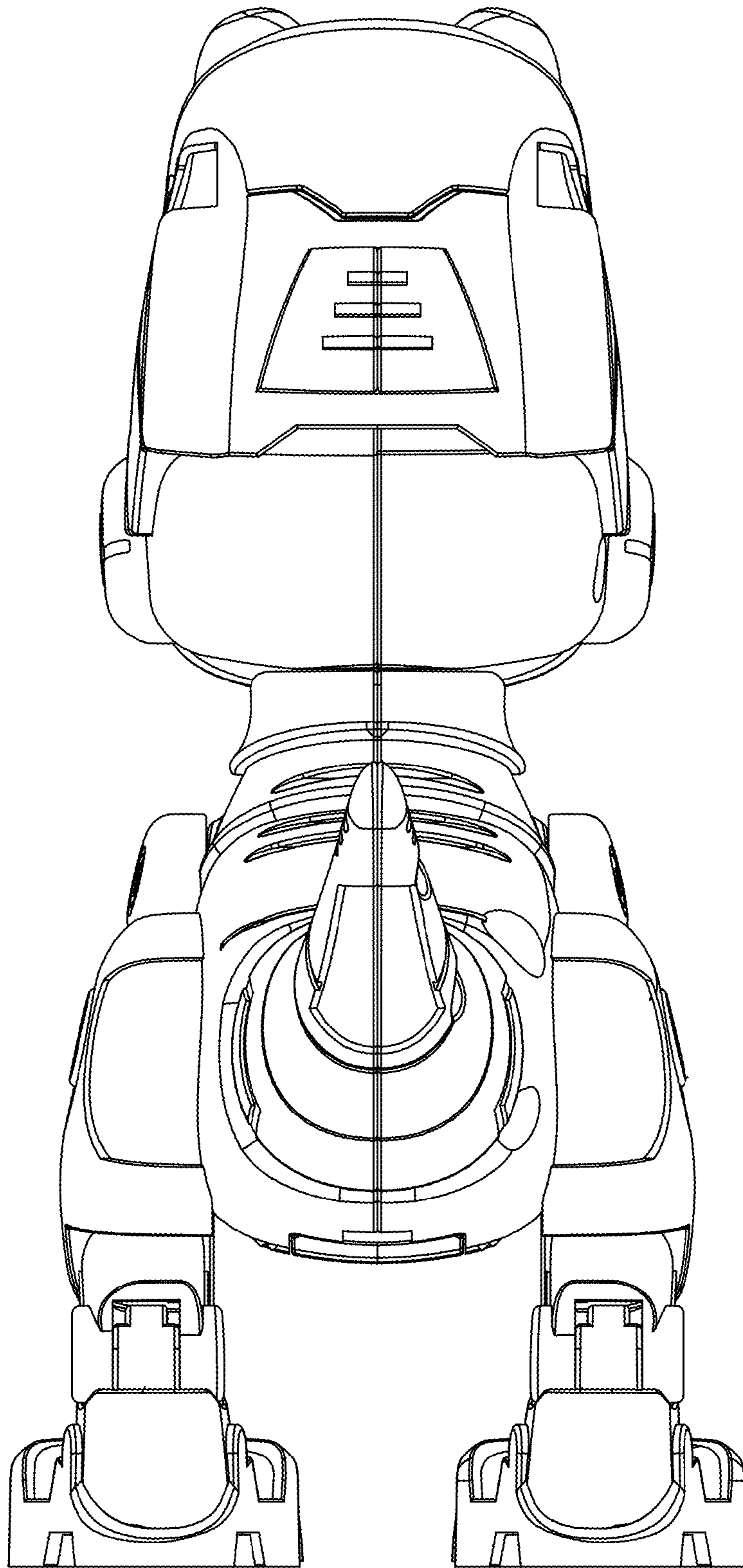


FIG. 4

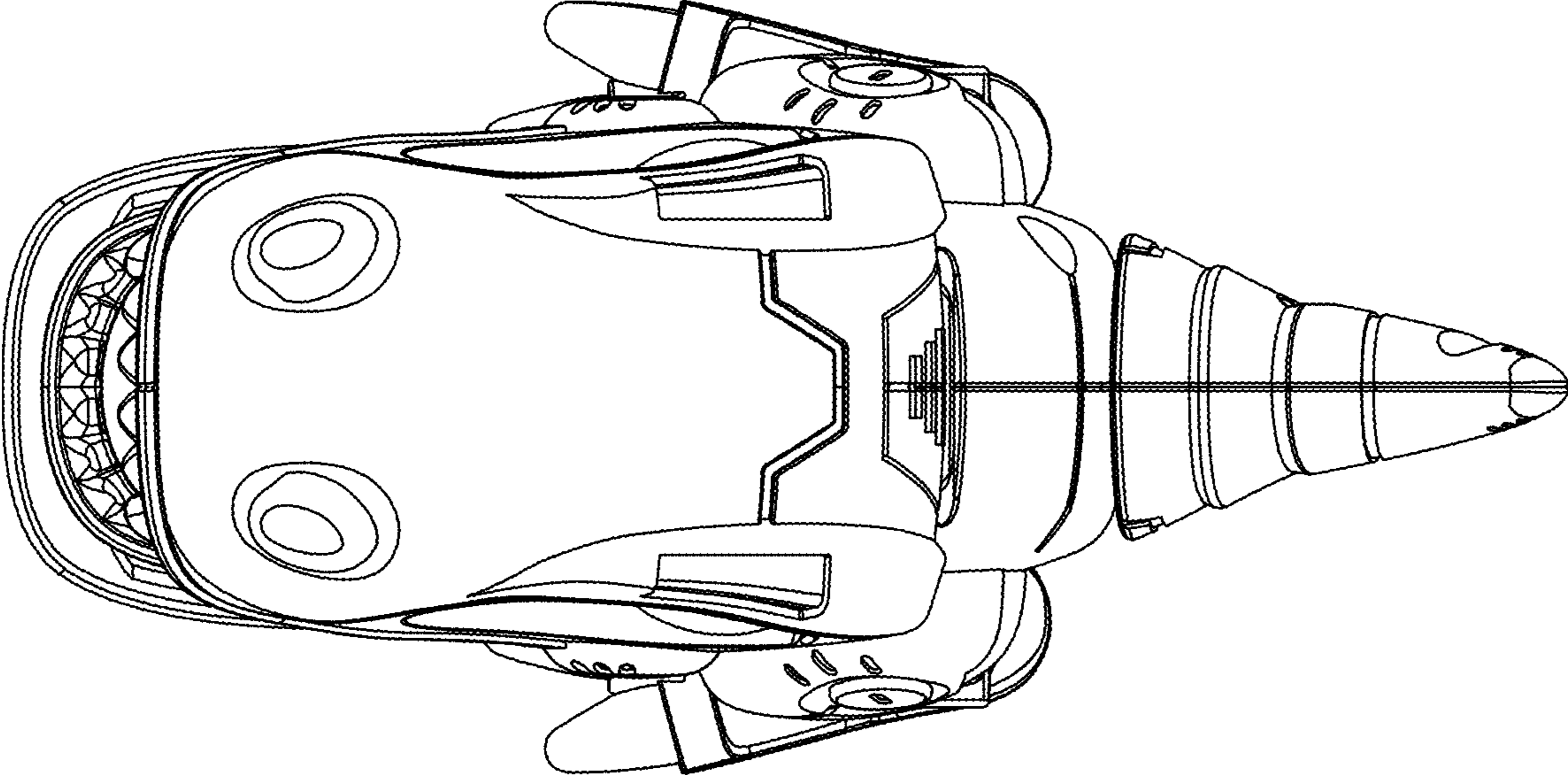


FIG. 5

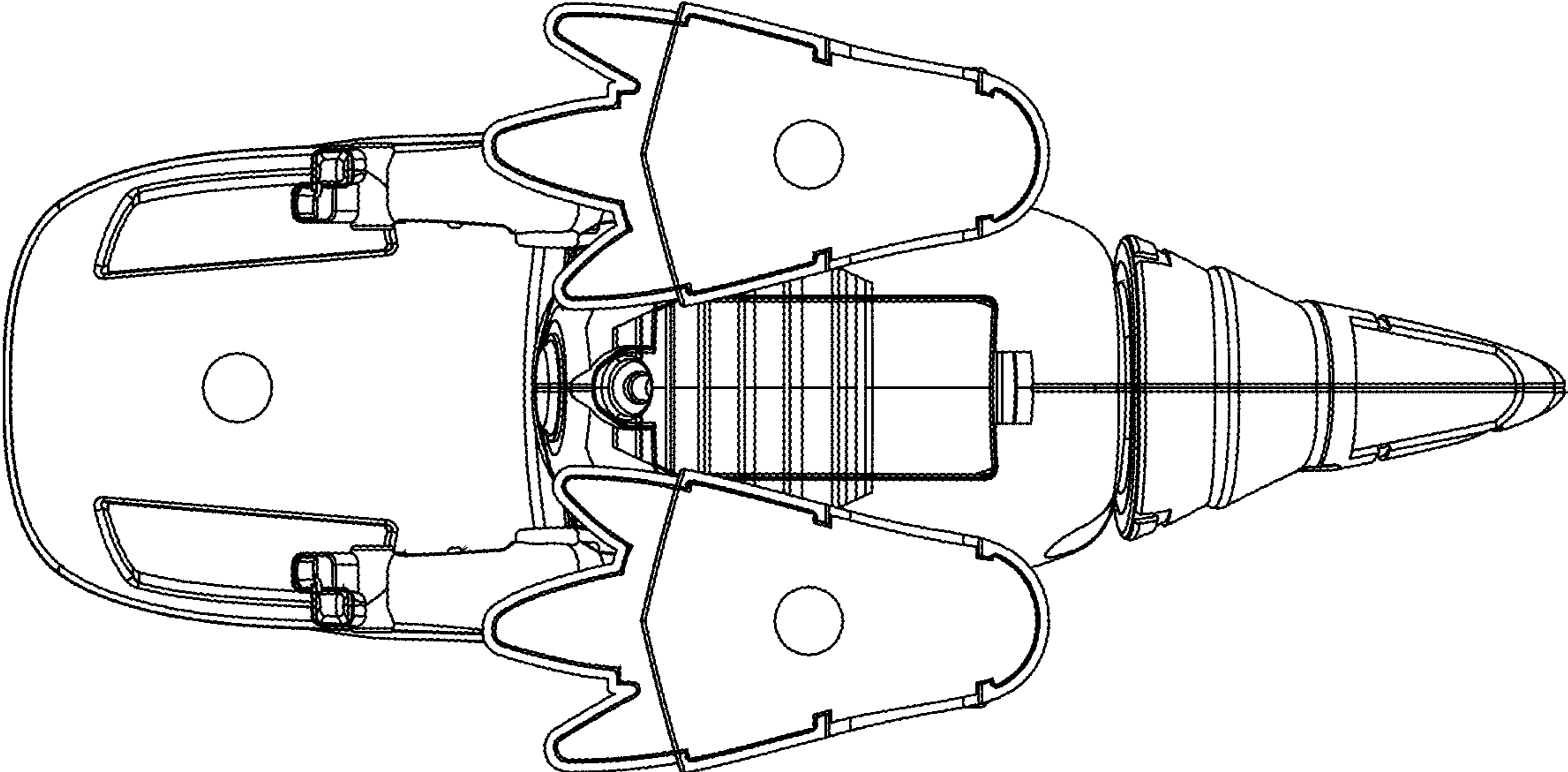


FIG. 6

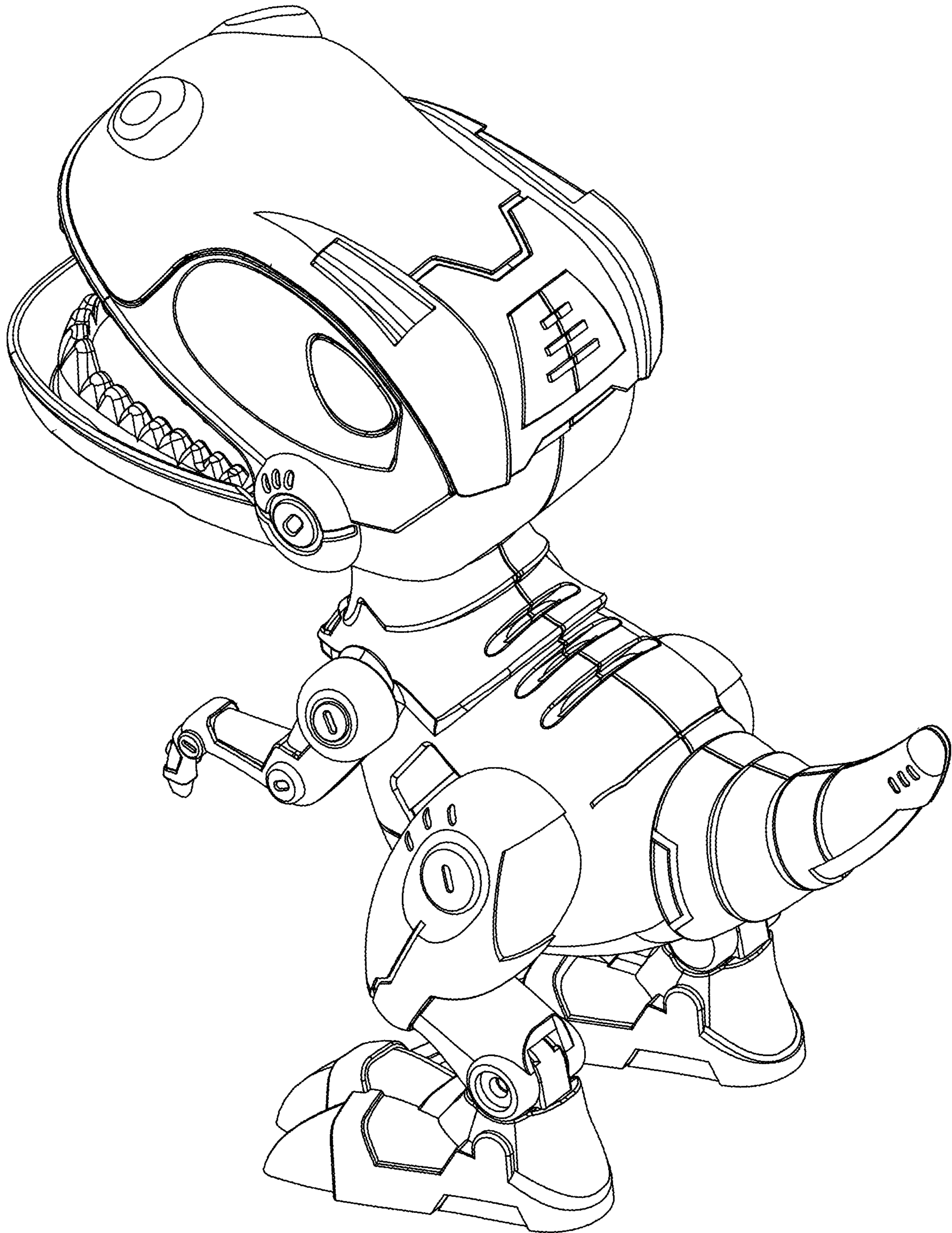


FIG. 7

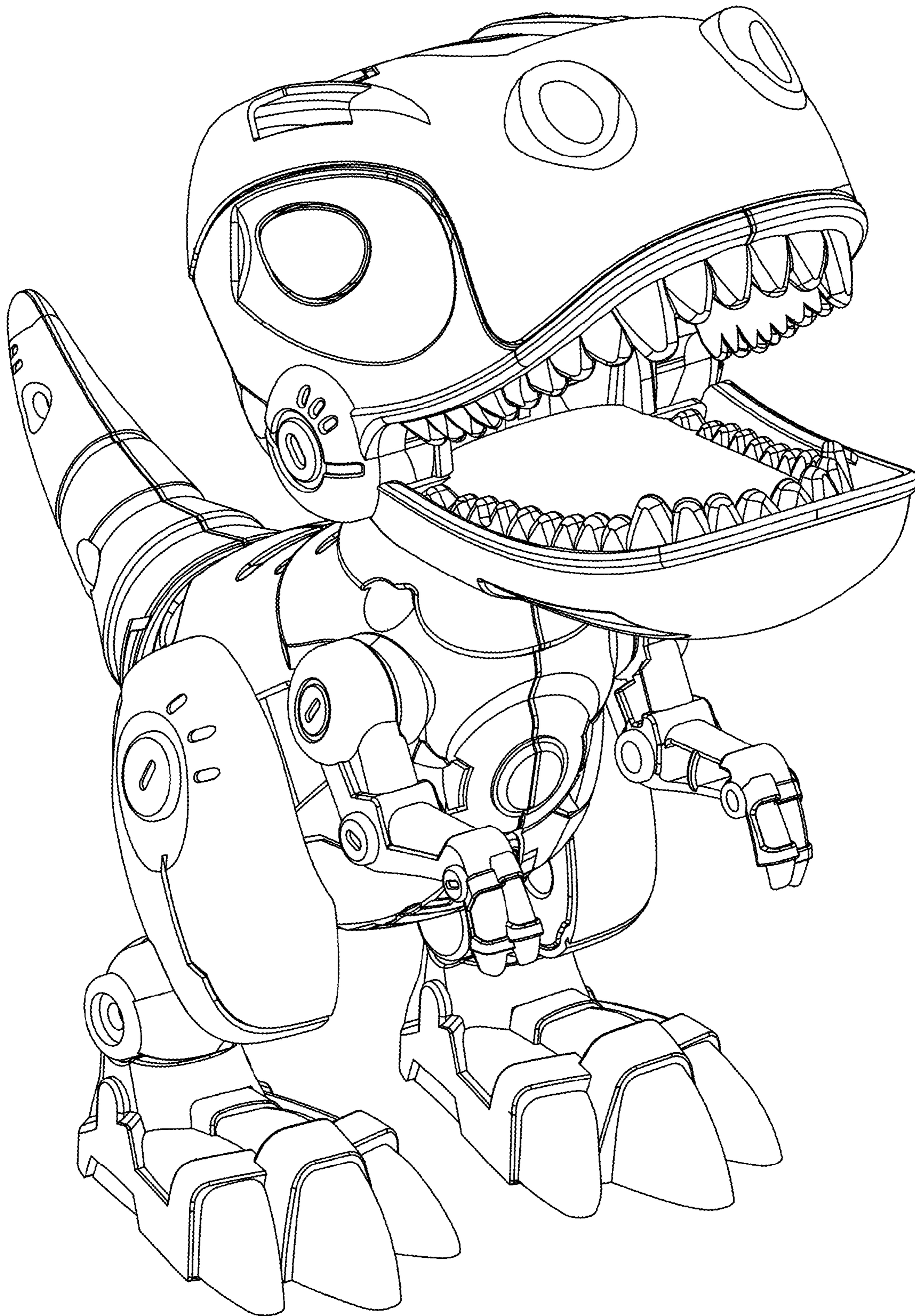


FIG. 8

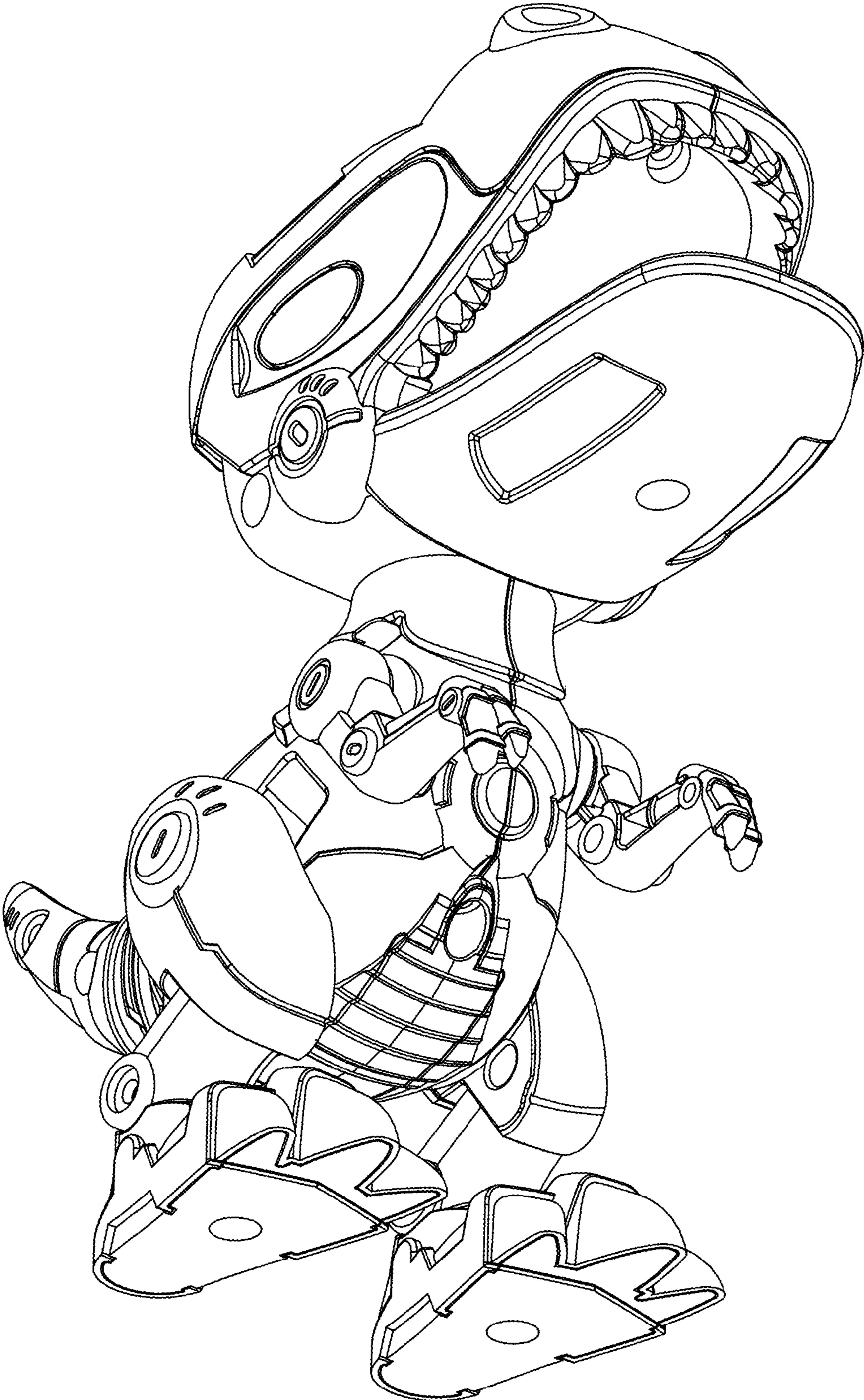


FIG. 9

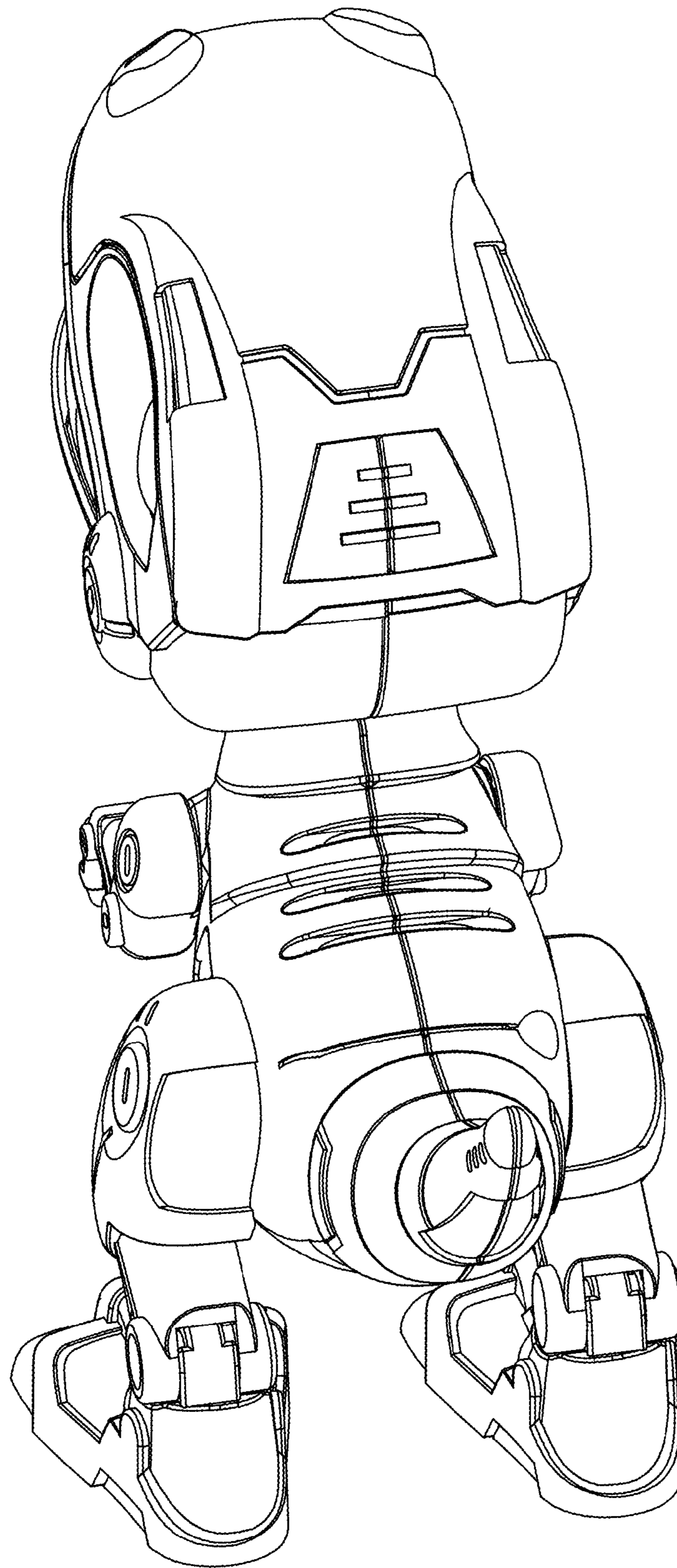


FIG. 10