



US00D883402S

(12) **United States Design Patent** (10) **Patent No.:** **US D883,402 S**
Lee (45) **Date of Patent:** **** May 5, 2020**

(54) **TOY ROBOT**

(71) Applicant: **Wen-Hsien Lee**, New Taipei (TW)

(72) Inventor: **Wen-Hsien Lee**, New Taipei (TW)

(**) Term: **15 Years**

(21) Appl. No.: **29/665,173**

(22) Filed: **Oct. 1, 2018**

(51) **LOC (12) Cl.** **21-02**

(52) **U.S. Cl.**
USPC **D21/578**

(58) **Field of Classification Search**
USPC D21/578–583, 621–622
CPC B25J 9/0006; B25J 9/0009; B25J 9/0003;
B25J 9/00

See application file for complete search history.

(56) **References Cited**

U.S. PATENT DOCUMENTS

D268,942 S *	5/1983	Lucas, Jr.	D21/578
D296,347 S *	6/1988	Kanoh	D21/578
D418,551 S *	1/2000	Kageyama	D21/584
D471,243 S *	3/2003	Cioffi	D21/578
D555,213 S *	11/2007	Bowen	D21/578
D576,217 S *	9/2008	Pasko	D21/533
7,946,902 B2 *	5/2011	Willett	A63H 17/006 446/353
D667,512 S *	9/2012	Mimlitch, III	D21/578
D810,211 S *	2/2018	Stuart-Cross	D21/578
D867,486 S *	11/2019	Katayama	D21/650
D867,487 S *	11/2019	Katayama	D21/650
D868,907 S *	12/2019	Liu	D21/578
D869,577 S *	12/2019	Katayama	D21/650

OTHER PUBLICATIONS

MoFun DIY Stem 6-Legged Gesture Sensing Infrared Avoid Obstacle Walking Robot Toy: Published Oct. 29, 2018 [online], site visited Mar. 2, 2020. Available from Internet URL: <https://www.banggood.com/MoFun-DIY-Stem-6-Legged-Gesture-Sensing-Infrared-Avoid-Obstacle-Walking-Robot-Toy-p-1364116.html> (Year: 2018).*

WishTime Remote Control Walking Robot Toy Intelligent Walking RC Space Robot: Published Sep. 20, 2017 [online], site visited Mar. 2, 2020. Available from Internet URL: https://www.amazon.co.uk/dp/B075S1JTPK/ref=cm_sw_r_tw_dp_U_x_QSvxEbG3BSPHQ (Year: 2017).*

Goolsky JKR/C R2 Cady WINI Intelligent Programming Gesture Control Robot: Published Aug. 18, 2017 [online], site visited Mar. 2, 2020. Available from Internet URL: https://www.amazon.co.uk/dp/B074X8TVZR/ref=cm_sw_r_tw_dp_U_x_zZvxEbJ0SXTSJ (Year: 2017).*

DLR crawler robot meets Justin and Hand-Arm-System: Published Jul. 25, 2011[online], site visited Mar. 3, 2020. Available from Internet URL: https://youtu.be/TqvW_6PmBIA (Year: 2011).*

Machines with Brains: Published Apr. 29, 2016 [online], site visited Mar. 3, 2020. Available from Internet URL: <https://qz.com/672708/siemens-is-building-a-swarm-of-robot-spiders-to-3d-print-objects-together/> (Year: 2016).*

* cited by examiner

Primary Examiner — Jack Reickel

Assistant Examiner — Melvin L Davis

(74) *Attorney, Agent, or Firm* — Browdy and Neimark, PLLC

(57) **CLAIM**

The ornamental design for a toy robot, as shown.

DESCRIPTION

FIG. 1 is a perspective view of a toy robot showing my new design;

FIG. 2 is another perspective view thereof;

FIG. 3 is a front view thereof;

FIG. 4 is a rear view thereof;

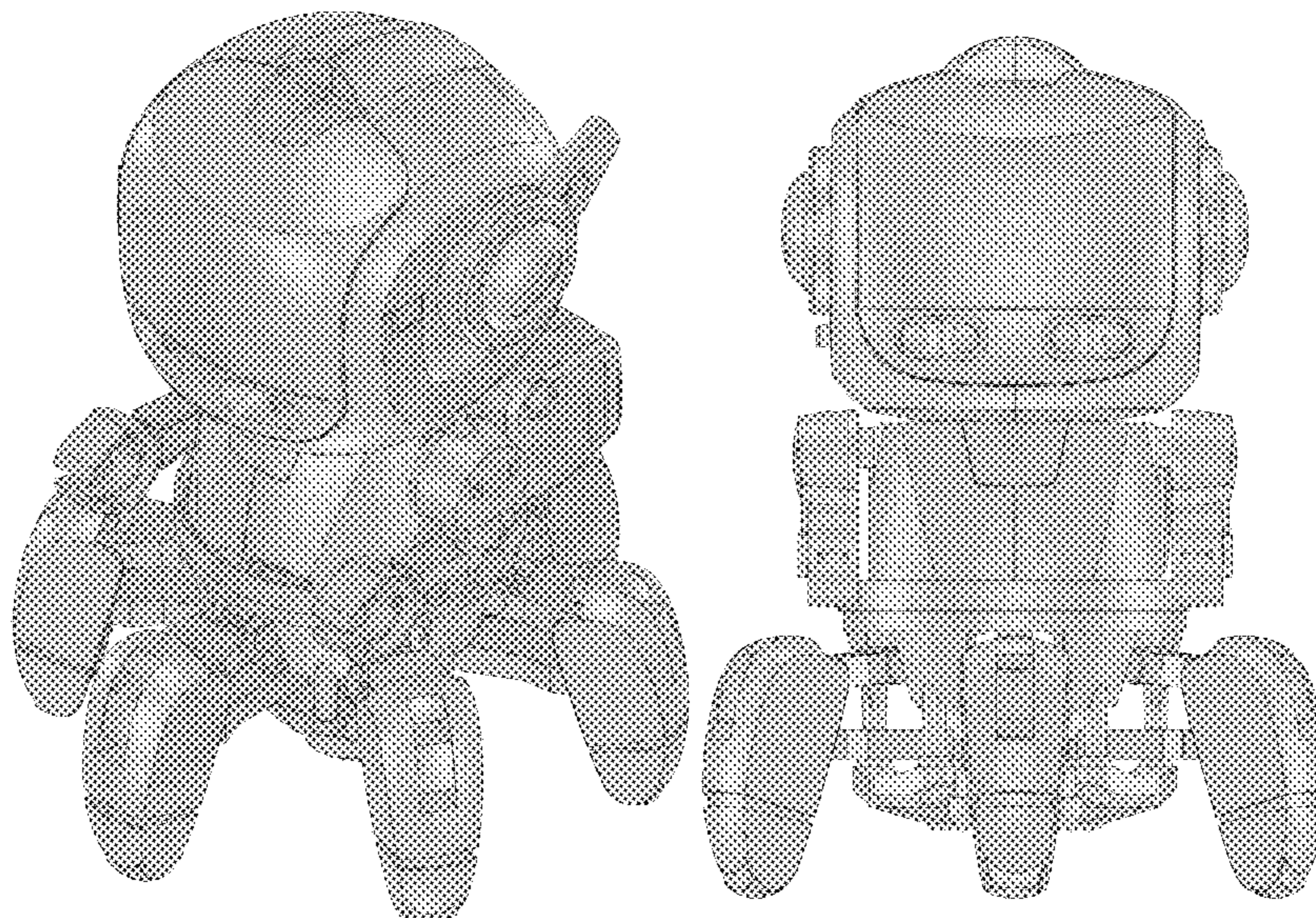
FIG. 5 is a left side view thereof;

FIG. 6 is a right side view thereof;

FIG. 7 is a top view thereof; and,

FIG. 8 is a bottom view thereof.

1 Claim, 8 Drawing Sheets



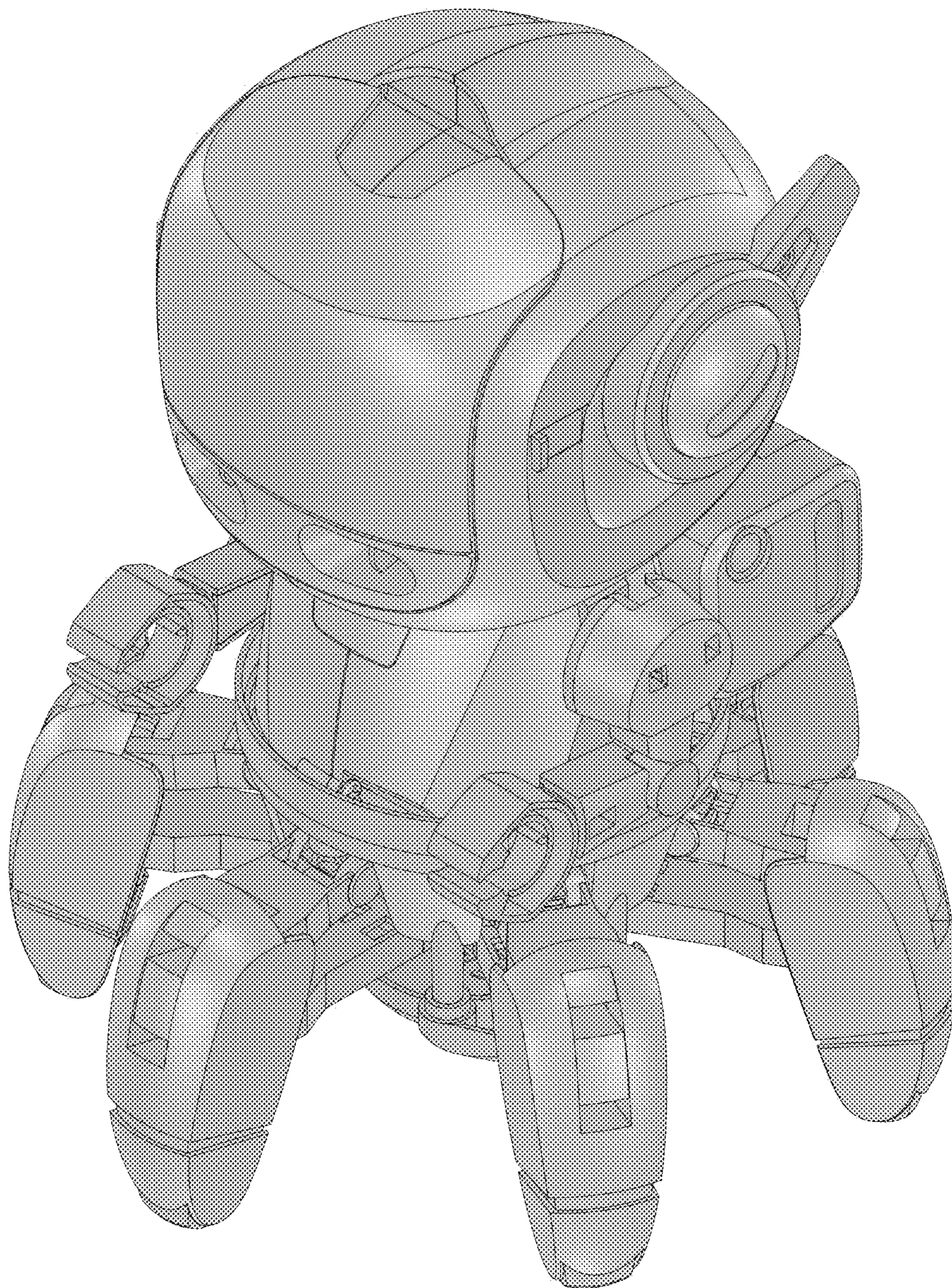


FIG. 1

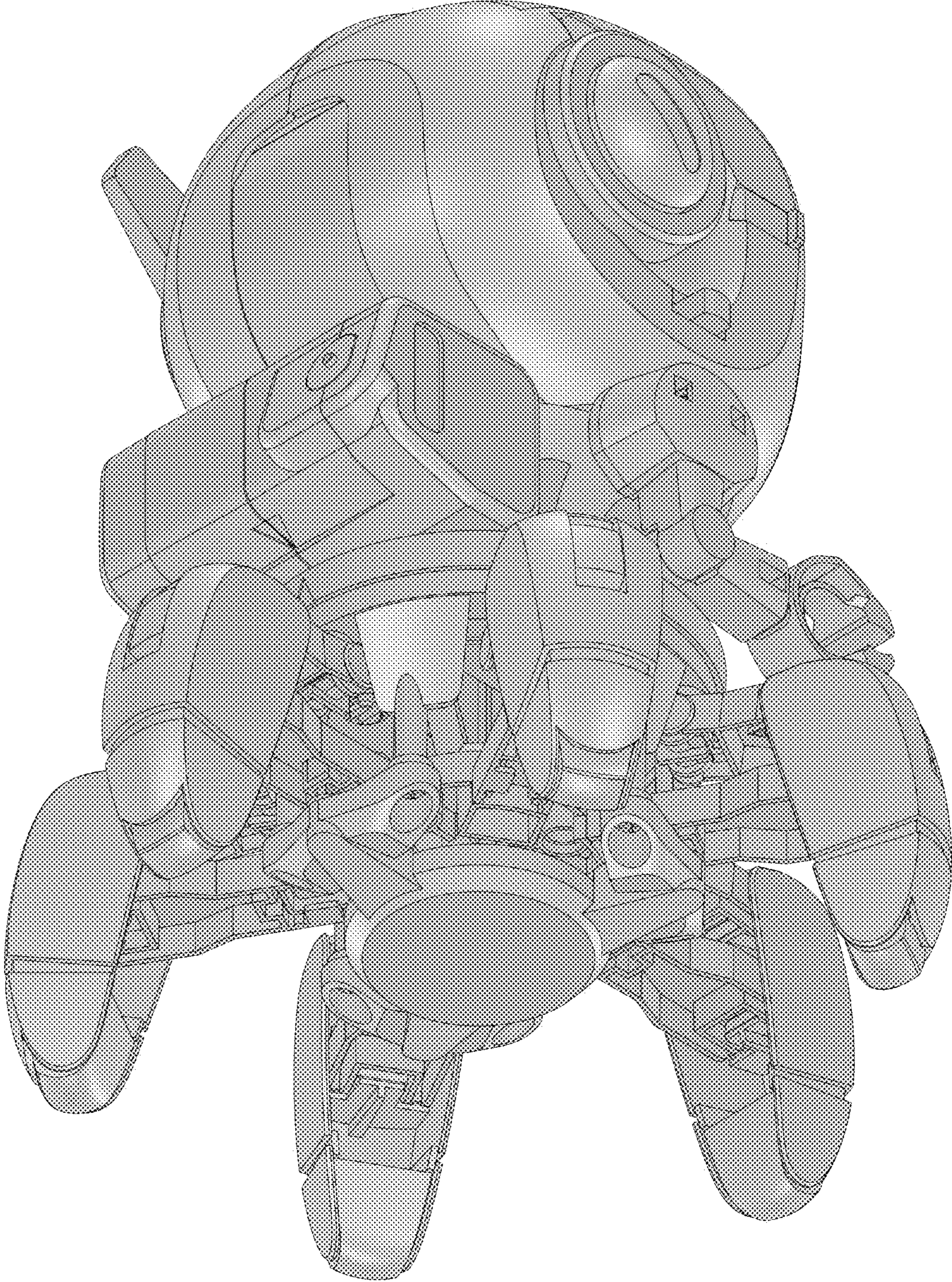


FIG.2

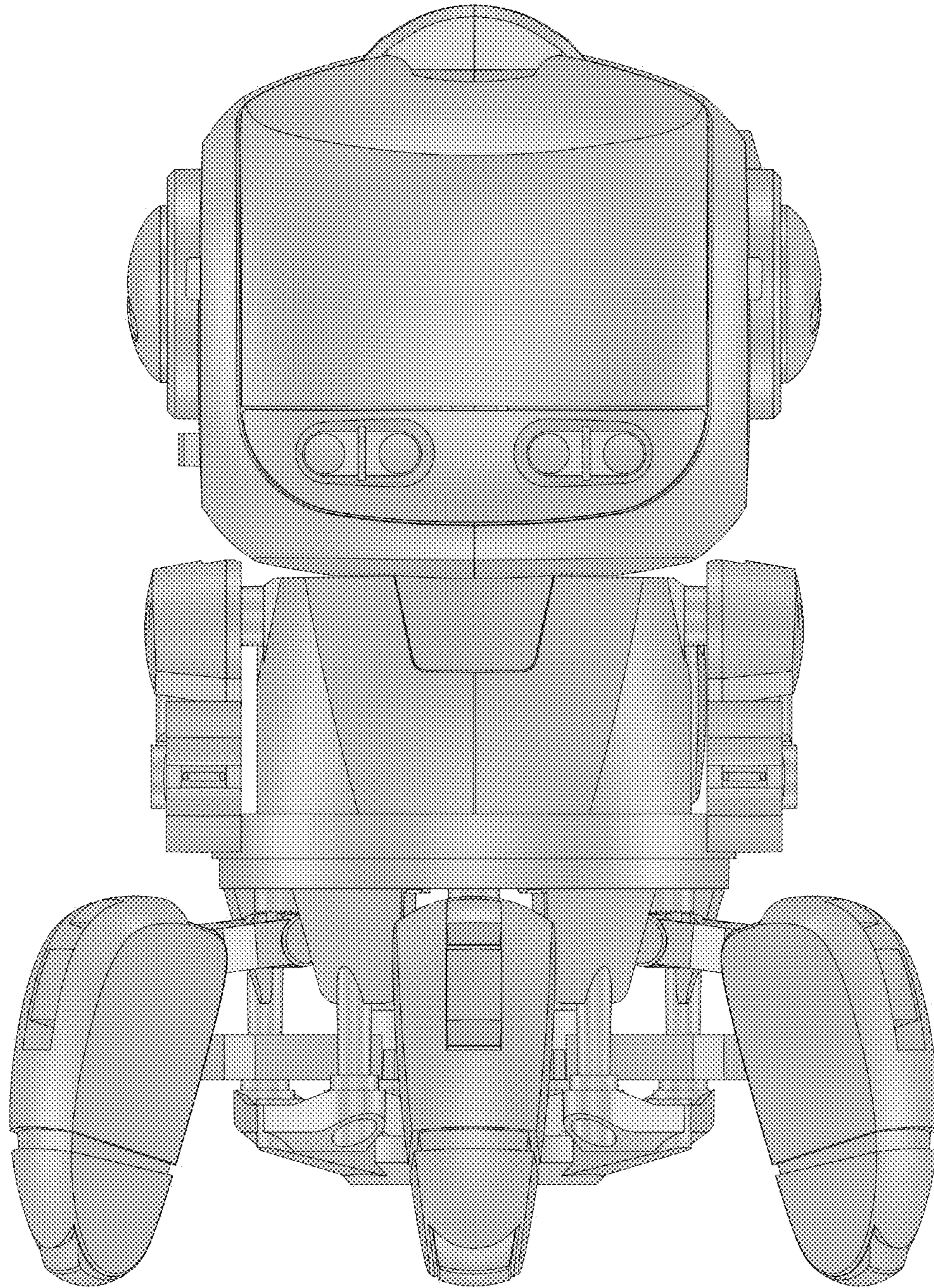


FIG. 3

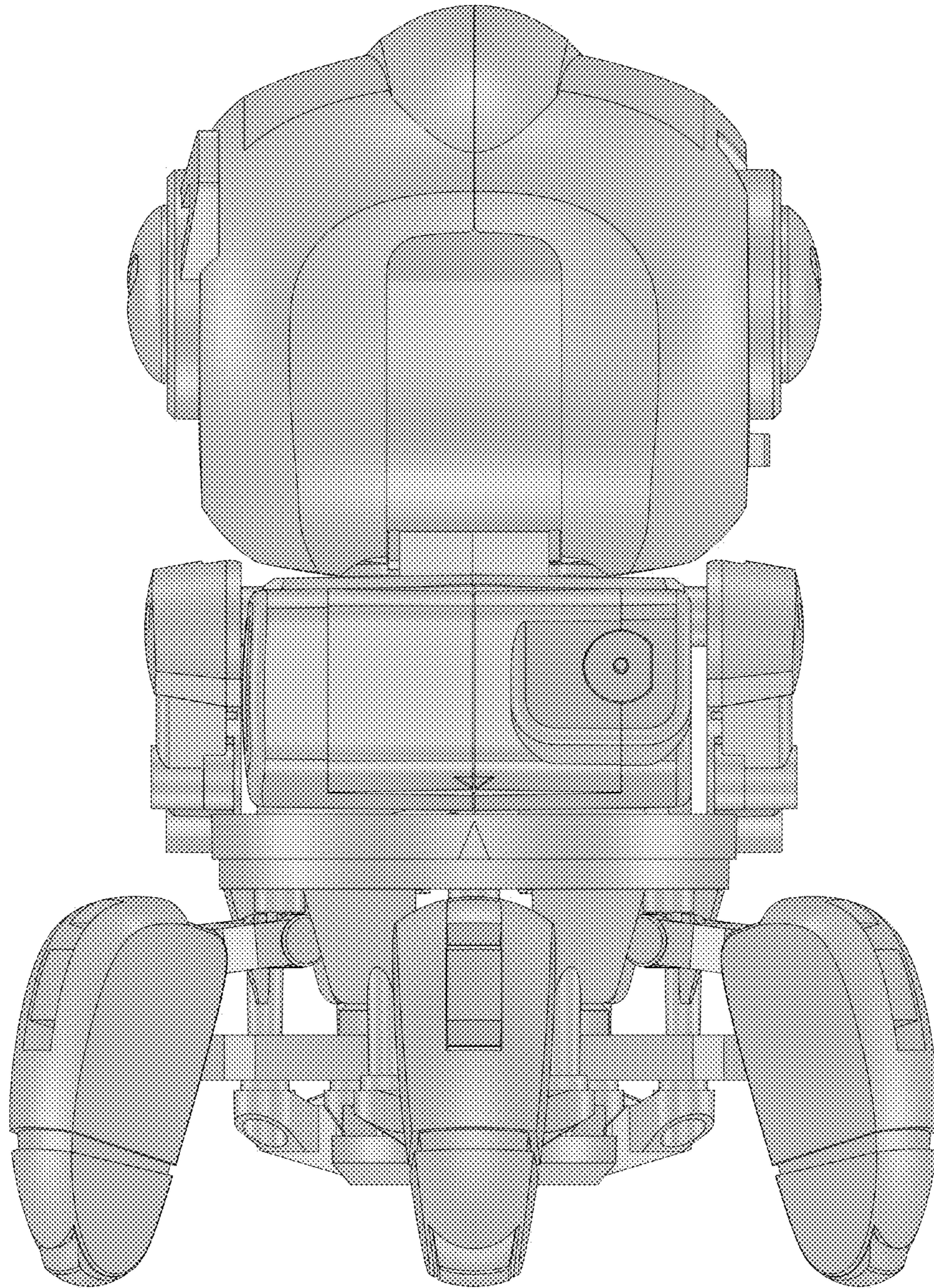


FIG.4

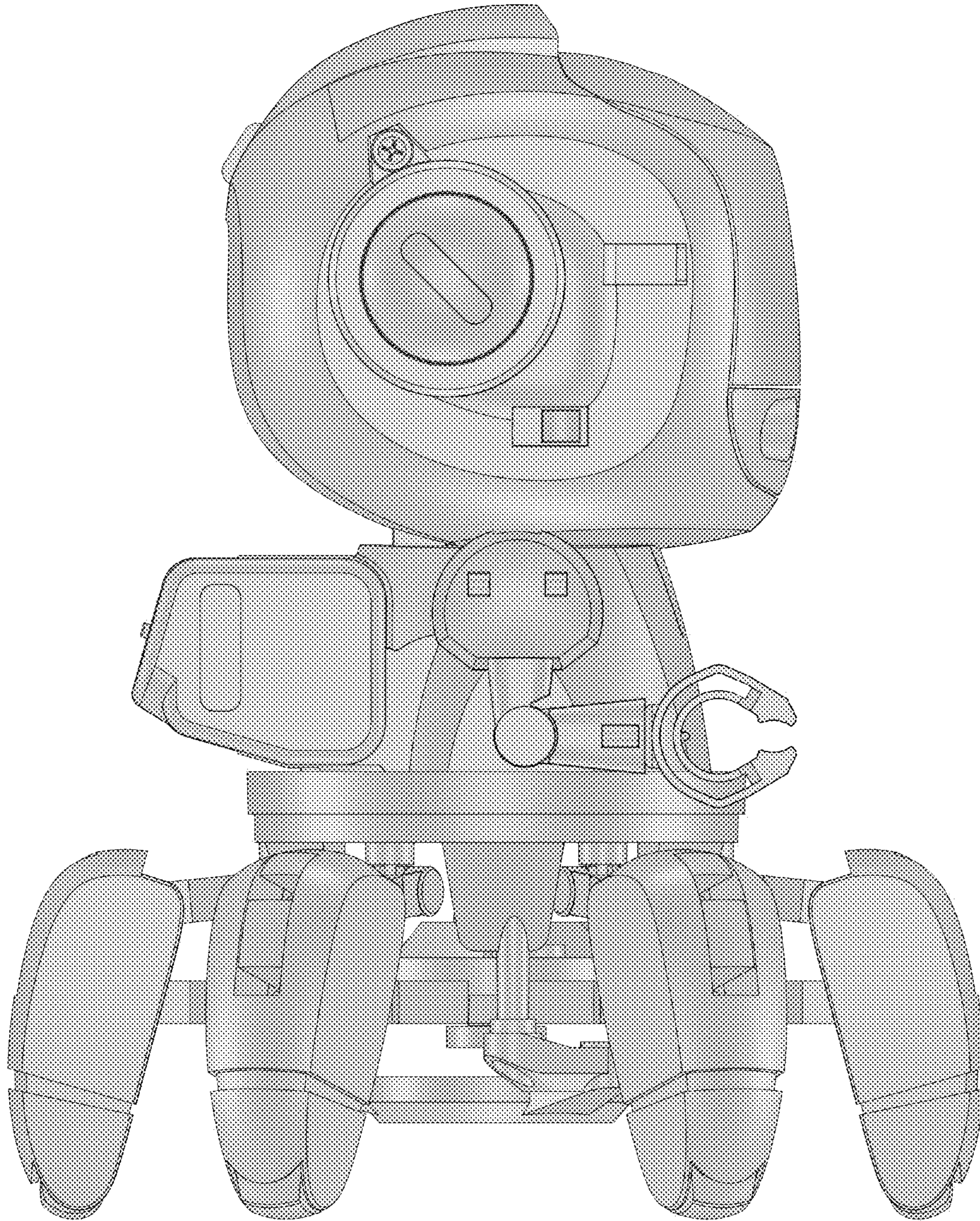


FIG.5

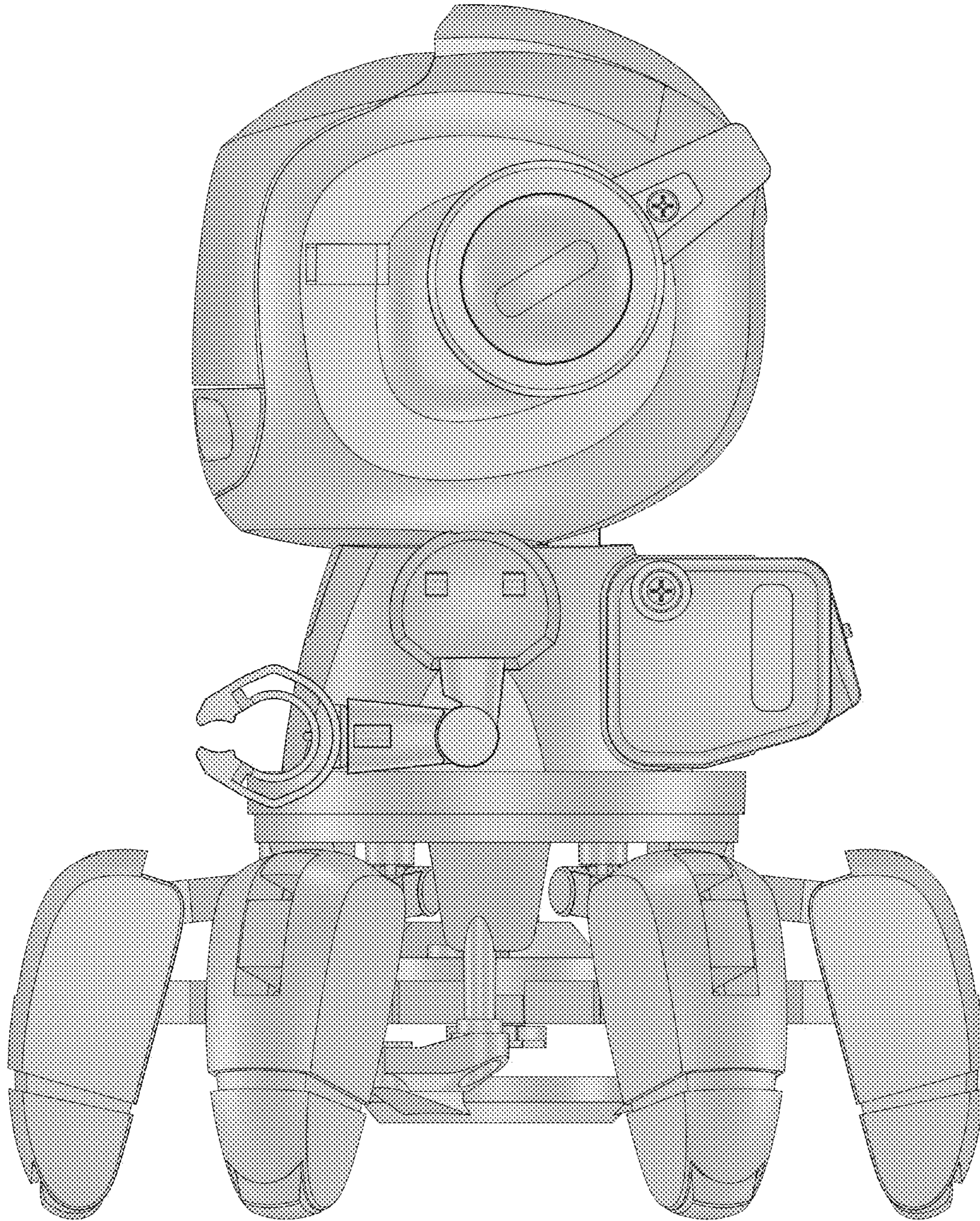


FIG.6

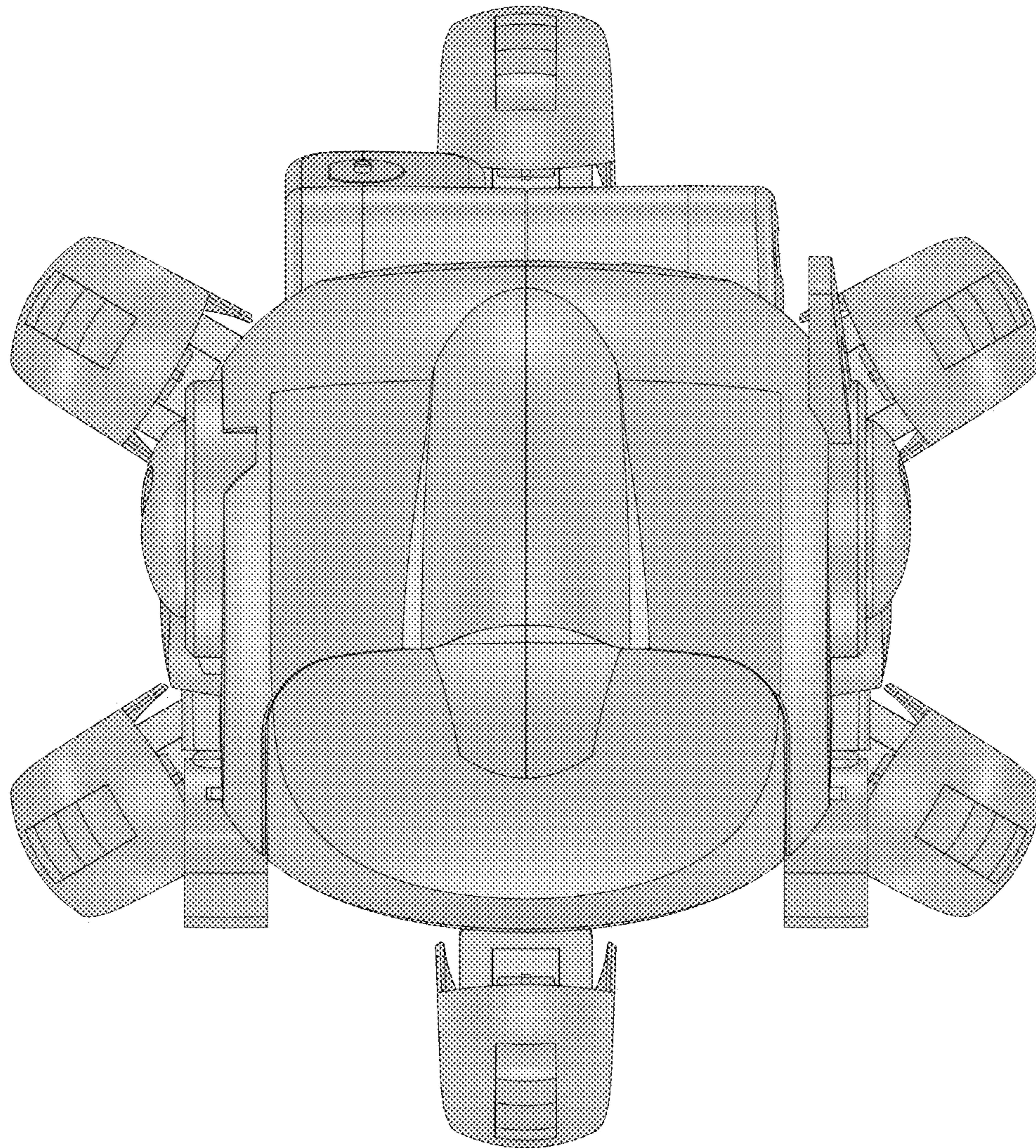


FIG.7

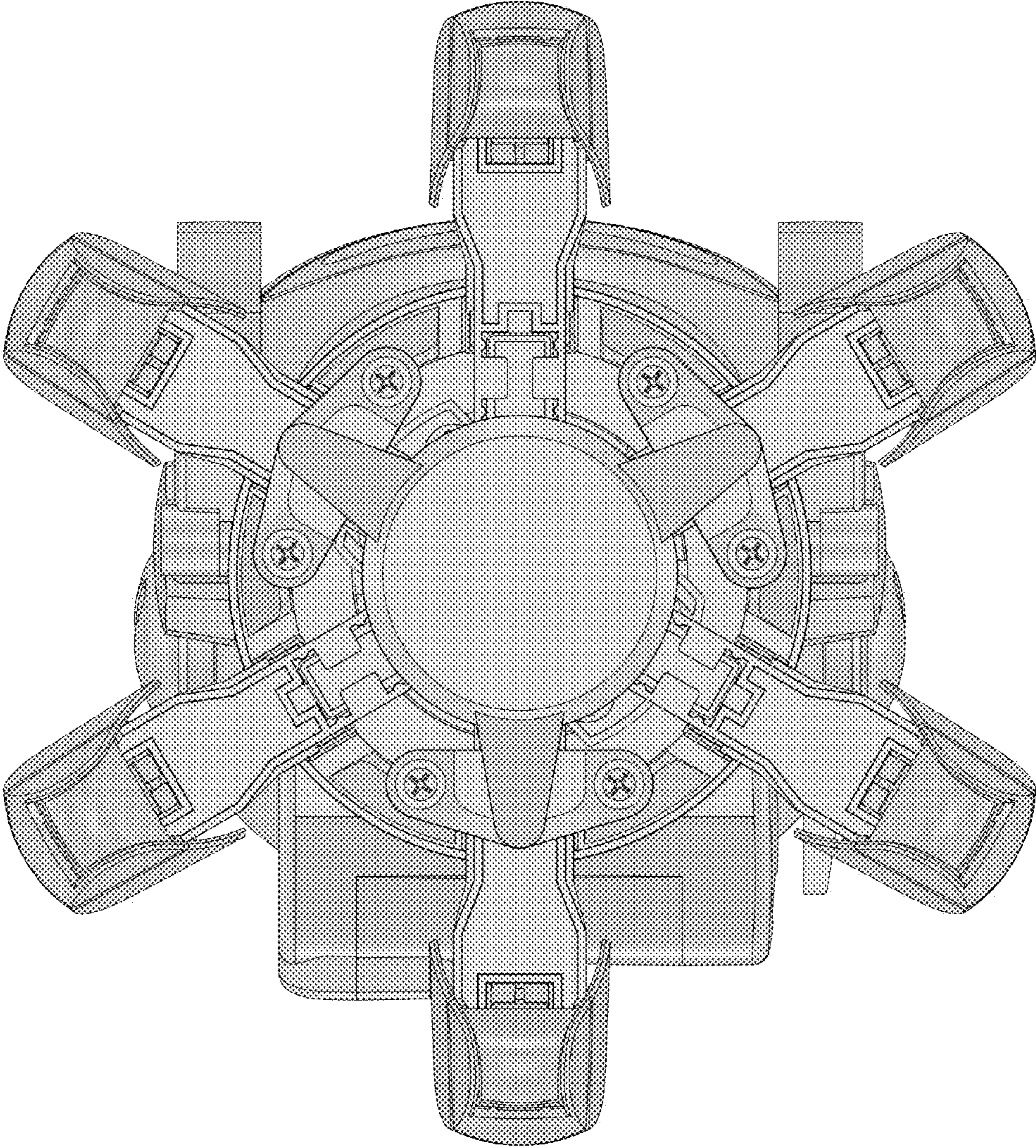


FIG.8