



US00D883401S

(12) **United States Design Patent**  
**Yang**

(10) **Patent No.:** **US D883,401 S**

(45) **Date of Patent:** **\*\* May 5, 2020**

(54) **LASER TOY GUN**

(71) Applicant: **Weixiong Yang**, Guangdong (CN)

(72) Inventor: **Weixiong Yang**, Guangdong (CN)

(\*\*) Term: **15 Years**

(21) Appl. No.: **29/650,795**

(22) Filed: **Jun. 8, 2018**

(51) **LOC (12) Cl.** ..... **21-01**

(52) **U.S. Cl.**

USPC ..... **D21/574**

(58) **Field of Classification Search**

USPC ..... D21/333, 401, 461, 567, 568, 570-575;  
D14/418; D22/100, 101, 104, 105,  
D22/108-110

CPC .... F41B 7/00; F41B 7/003; F41B 7/08; F41B  
11/89; F41A 33/00; F41A 33/02; F41A  
33/04; F41A 33/06; A63H 5/04

See application file for complete search history.

(56) **References Cited**

**U.S. PATENT DOCUMENTS**

- 4,365,439 A \* 12/1982 Litynski ..... A63H 5/04  
446/406
- D436,356 S \* 1/2001 Lee ..... D14/418
- D554,712 S \* 11/2007 Yuen ..... D21/574

- D635,618 S \* 4/2011 Nadel ..... D21/573
- D639,352 S \* 6/2011 Chan ..... D21/572
- D660,920 S \* 5/2012 Johnson ..... D21/572
- D660,923 S \* 5/2012 Johnson ..... D21/573
- D660,925 S \* 5/2012 Jablonski ..... D21/573
- D660,926 S \* 5/2012 Mastin ..... D21/573
- D687,904 S \* 8/2013 Hadley ..... D21/573
- D757,188 S \* 5/2016 Murayama ..... D21/573
- 2004/0087377 A1 \* 5/2004 Liu ..... F41A 33/02  
463/51
- 2018/0229108 A1 \* 8/2018 Waldman ..... A63F 9/0291

\* cited by examiner

*Primary Examiner* — Cynthia M. Chin

(57) **CLAIM**

The ornamental design for a laser toy gun, as shown and described.

**DESCRIPTION**

FIG. 1 is a perspective view of a laser toy gun showing my new design;

FIG. 2 is a front elevational view thereof;

FIG. 3 is a rear elevational view thereof;

FIG. 4 is a left side elevational view thereof;

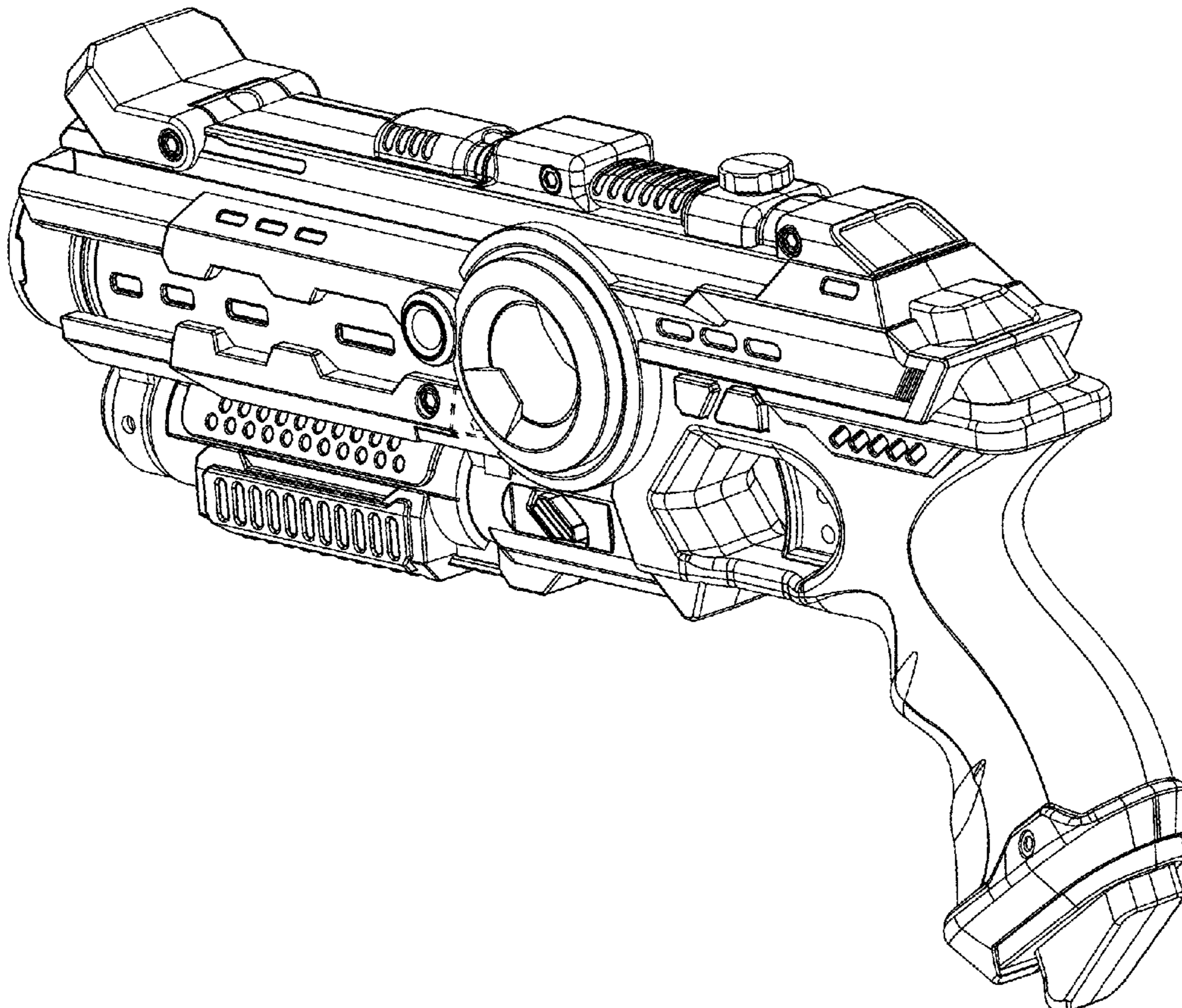
FIG. 5 is a right side elevational view thereof;

FIG. 6 is a top plan view thereof; and,

FIG. 7 is a bottom plan view thereof.

The broken lines are for the purpose of illustrating portions of the article that form no part of the claimed design.

**1 Claim, 7 Drawing Sheets**







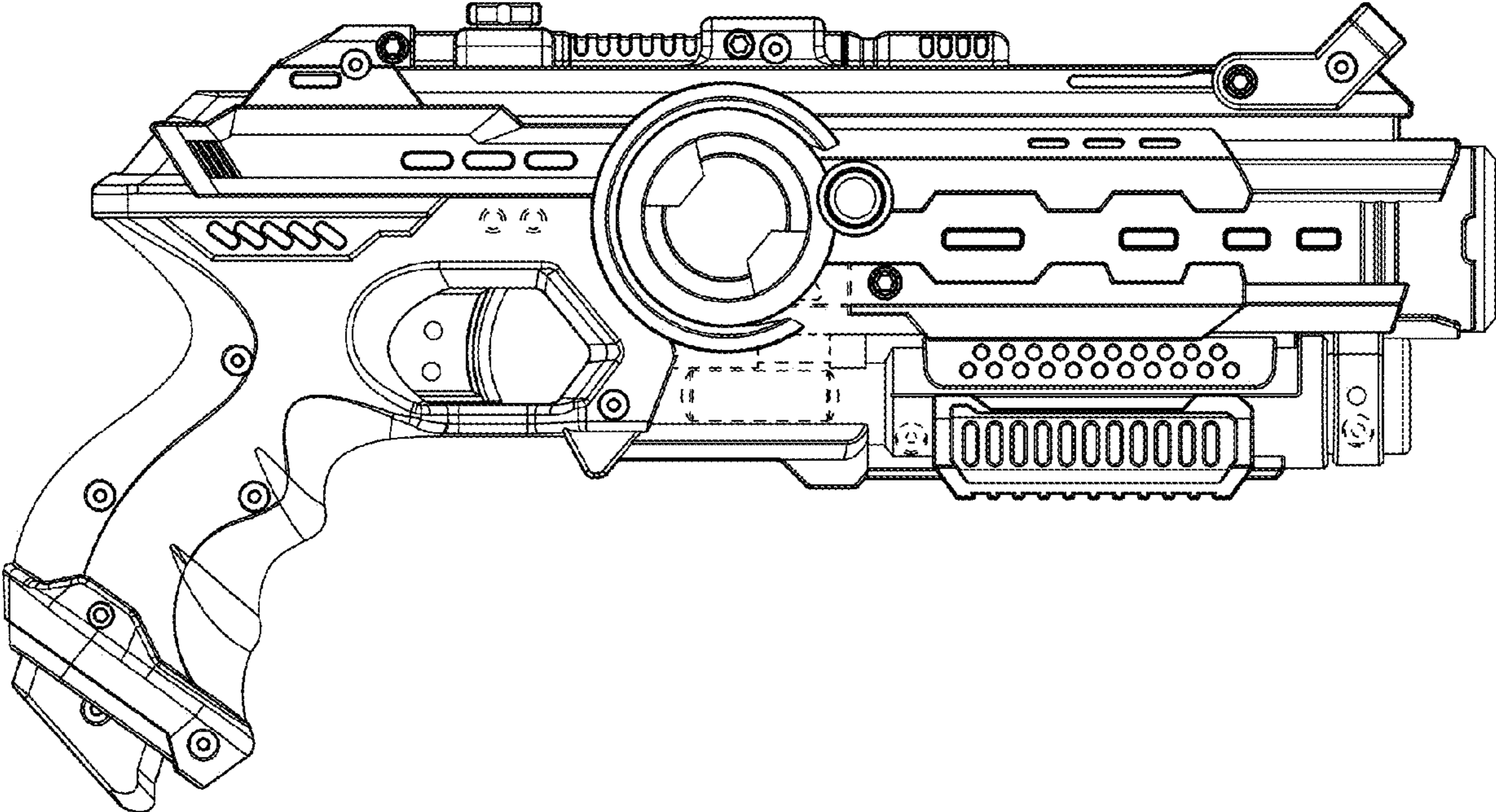


FIG. 2

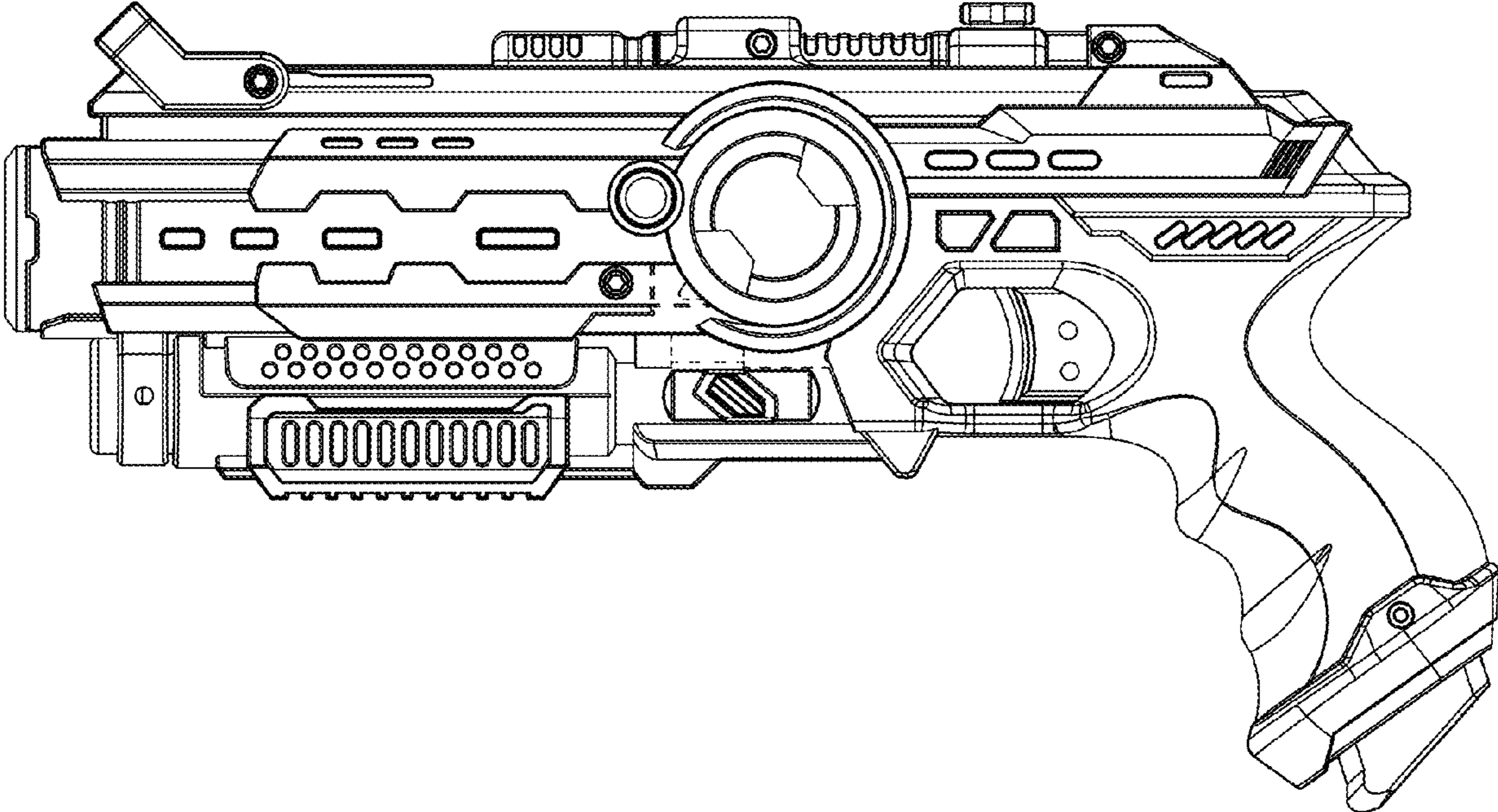


FIG. 3

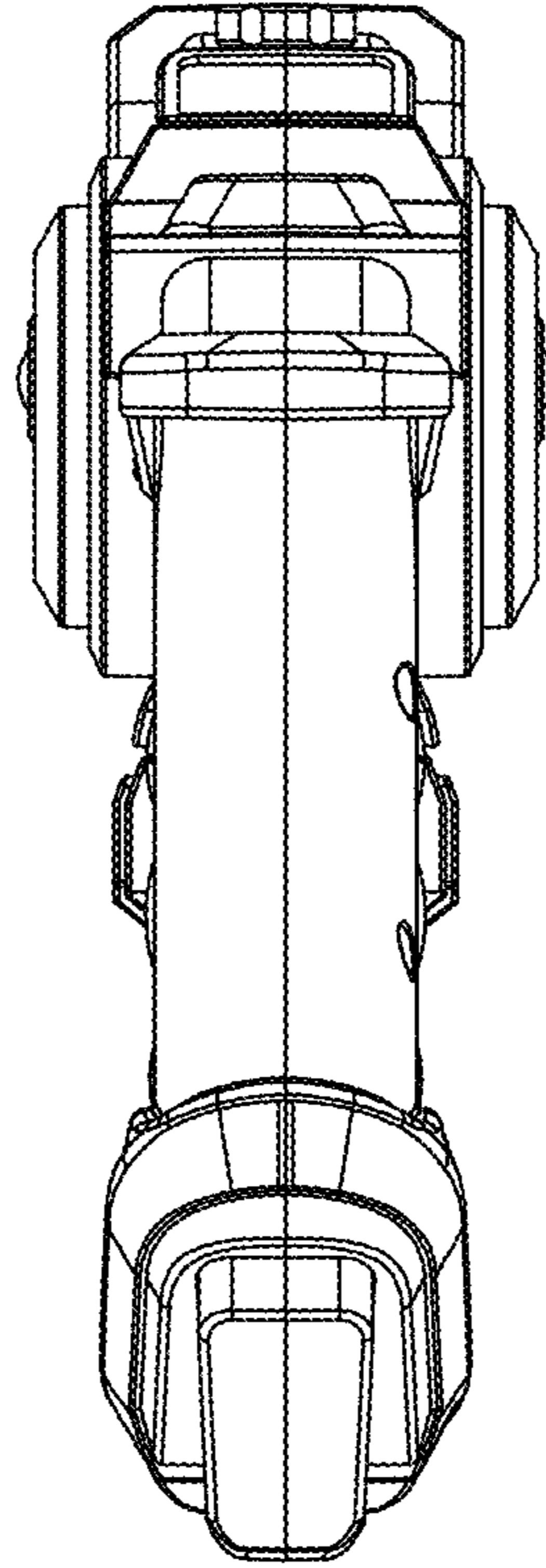


FIG. 4

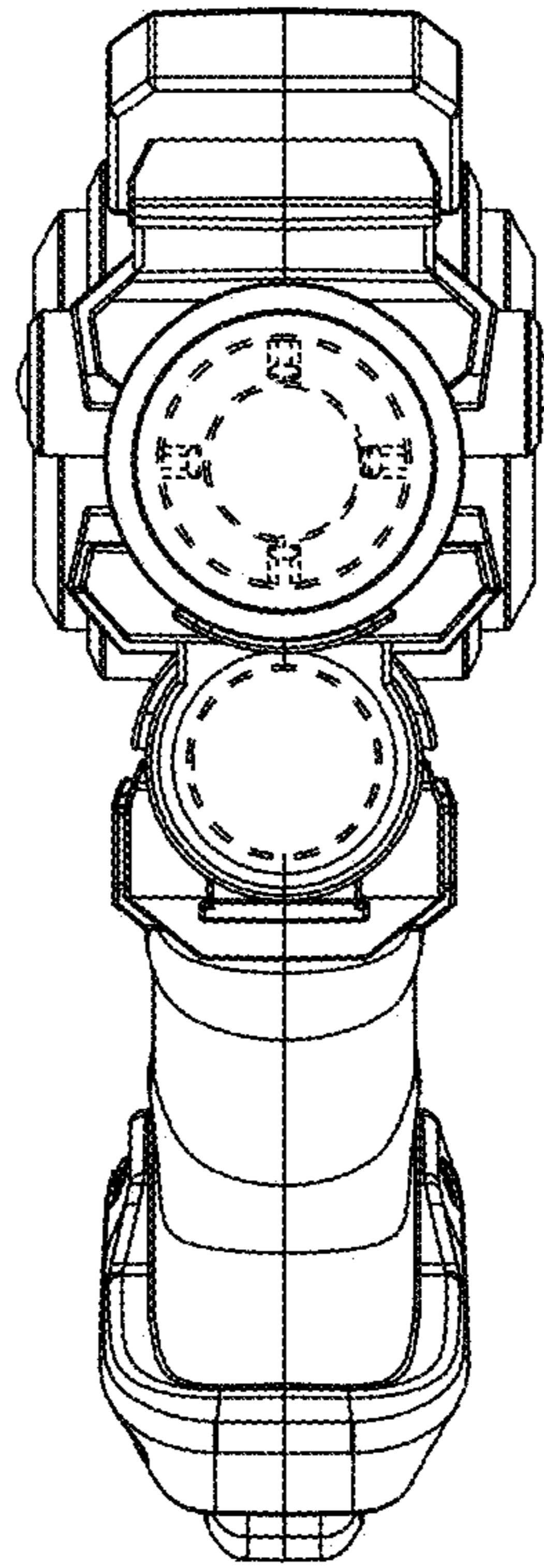


FIG. 5

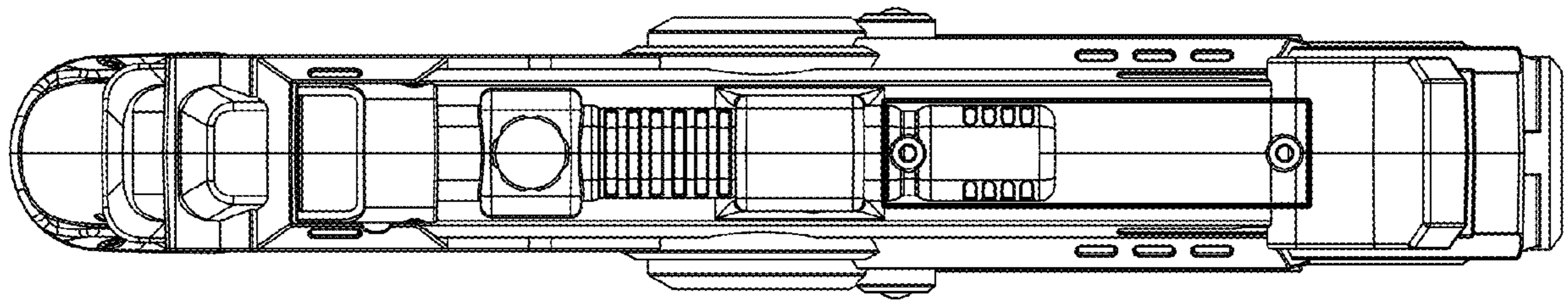


FIG. 6

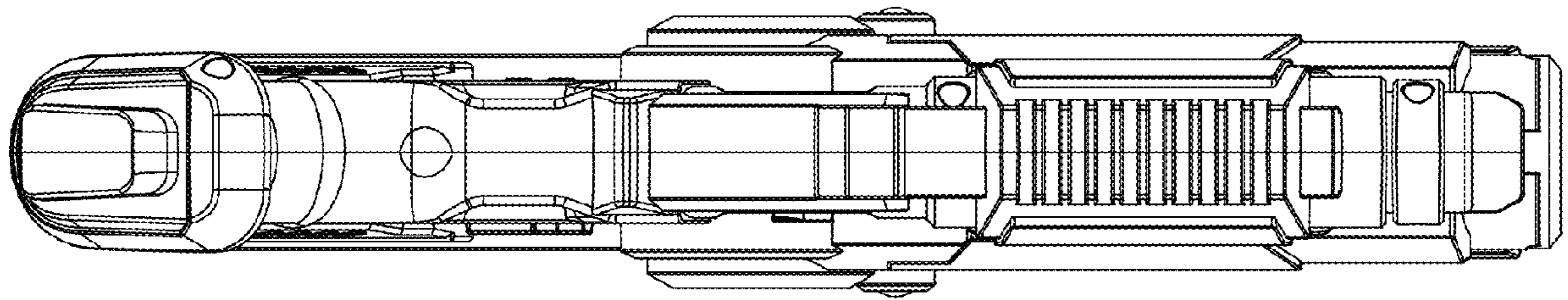


FIG. 7