



US00D883400S

(12) **United States Design Patent**
Wu

(10) **Patent No.:** **US D883,400 S**

(45) **Date of Patent:** **** May 5, 2020**

(54) **TOY TRACK**

(71) Applicant: **Rong Wu**, Shantou (CN)

(72) Inventor: **Rong Wu**, Shantou (CN)

(**) Term: **15 Years**

(21) Appl. No.: **29/719,800**

(22) Filed: **Jan. 8, 2020**

(51) **LOC (12) Cl.** **21-01**

(52) **U.S. Cl.**
USPC **D21/565**

(58) **Field of Classification Search**
USPC D21/484, 490, 493, 509, 564, 565, 802,
D21/818, 821
CPC A63H 18/02; A63H 18/021; A63H 18/025;
A63H 18/026; A63H 18/028; A63H
18/04; A63H 18/06; A63H 19/30; A63H
19/32

See application file for complete search history.

(56) **References Cited**

U.S. PATENT DOCUMENTS

D326,694 S	6/1992	Suzuki	
6,299,072 B1 *	10/2001	Burns	A63H 19/30 104/53
D644,697 S	9/2011	Mimlitch, III et al.	
D659,201 S *	5/2012	Glickman	D21/565
D725,718 S *	3/2015	Feit	D21/564
D741,418 S *	10/2015	Beauregard	D21/565
10,065,125 B1 *	9/2018	Wang	A63H 17/14

2005/0173551 A1 *	8/2005	Lin	A63H 19/30 238/10 E
2013/0109271 A1 *	5/2013	Ferreyra	A63H 18/00 446/429
2018/0050277 A1 *	2/2018	Vargas	A63H 17/38
2018/0078869 A1 *	3/2018	Schmid	A63H 18/06

* cited by examiner

Primary Examiner — Cynthia M. Chin

(74) *Attorney, Agent, or Firm* — Erson IP (Nelson IP)

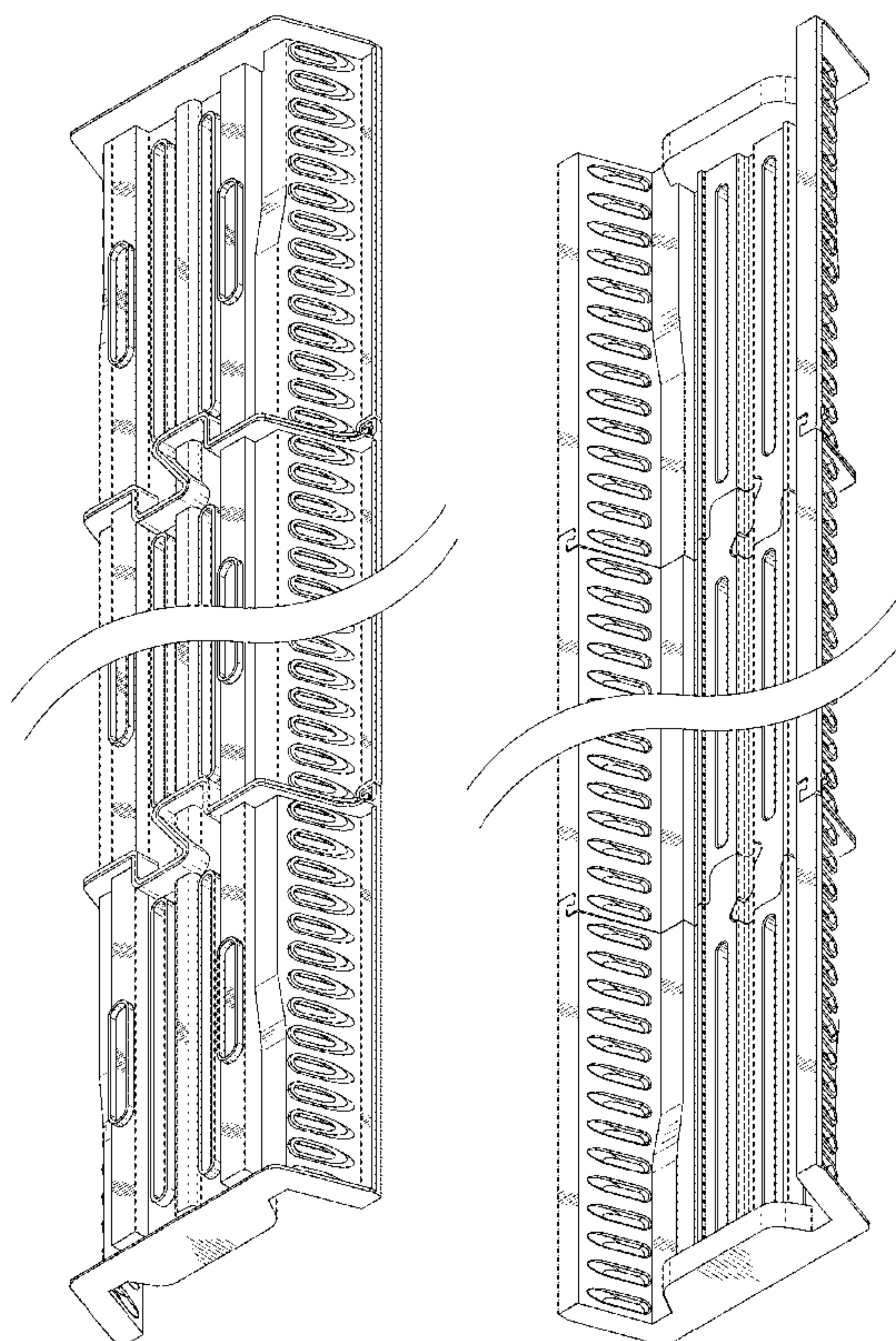
(57) **CLAIM**

The ornamental design for a toy track, as shown and described.

DESCRIPTION

FIG. 1 is a perspective view of a toy track showing my new design;
 FIG. 2 is another perspective view thereof;
 FIG. 3 is a front view thereof;
 FIG. 4 is a rear view thereof;
 FIG. 5 is a left side view thereof;
 FIG. 6 is a right side view thereof;
 FIG. 7 is a top plan view thereof; and,
 FIG. 8 is a bottom plan view thereof.
 The broken away symbols in the drawings indicate the appearance of any portion of the article between the break lines forms no part of the claimed design.

1 Claim, 8 Drawing Sheets



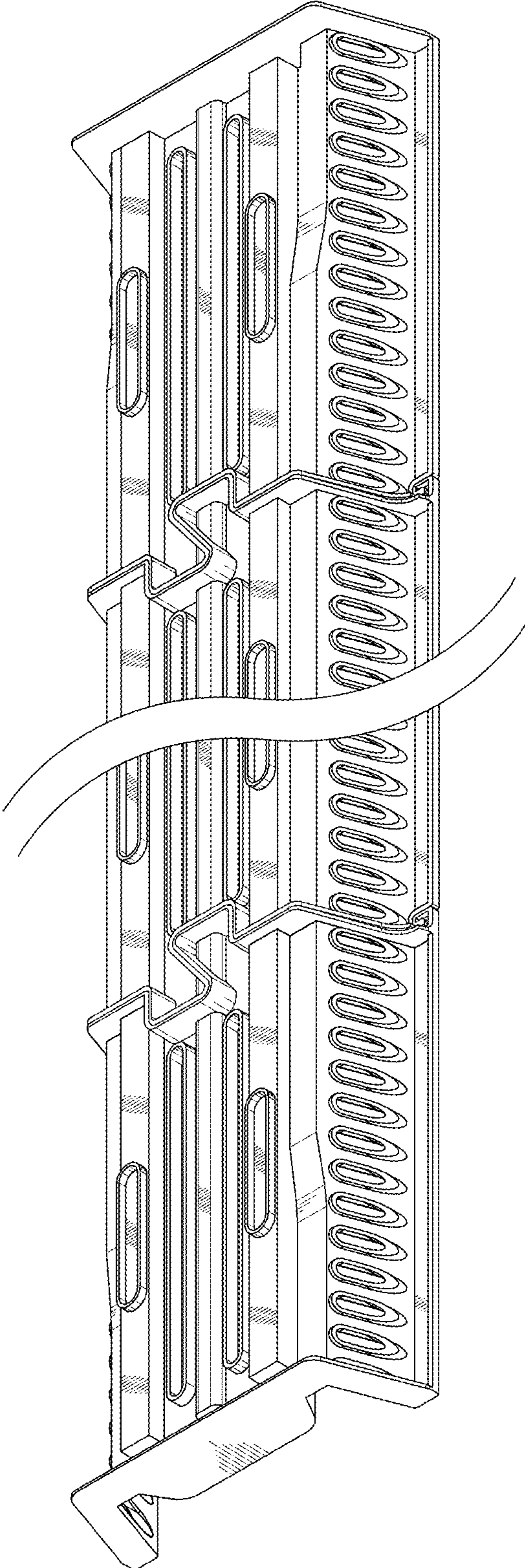


FIG. 1

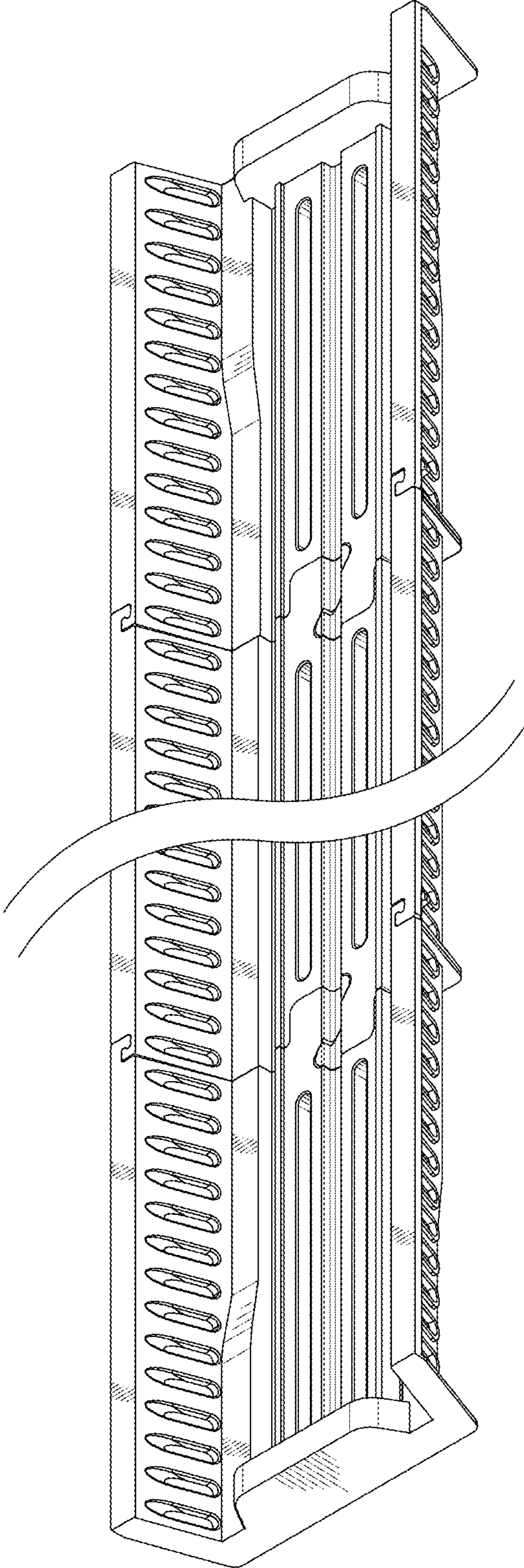


FIG. 2

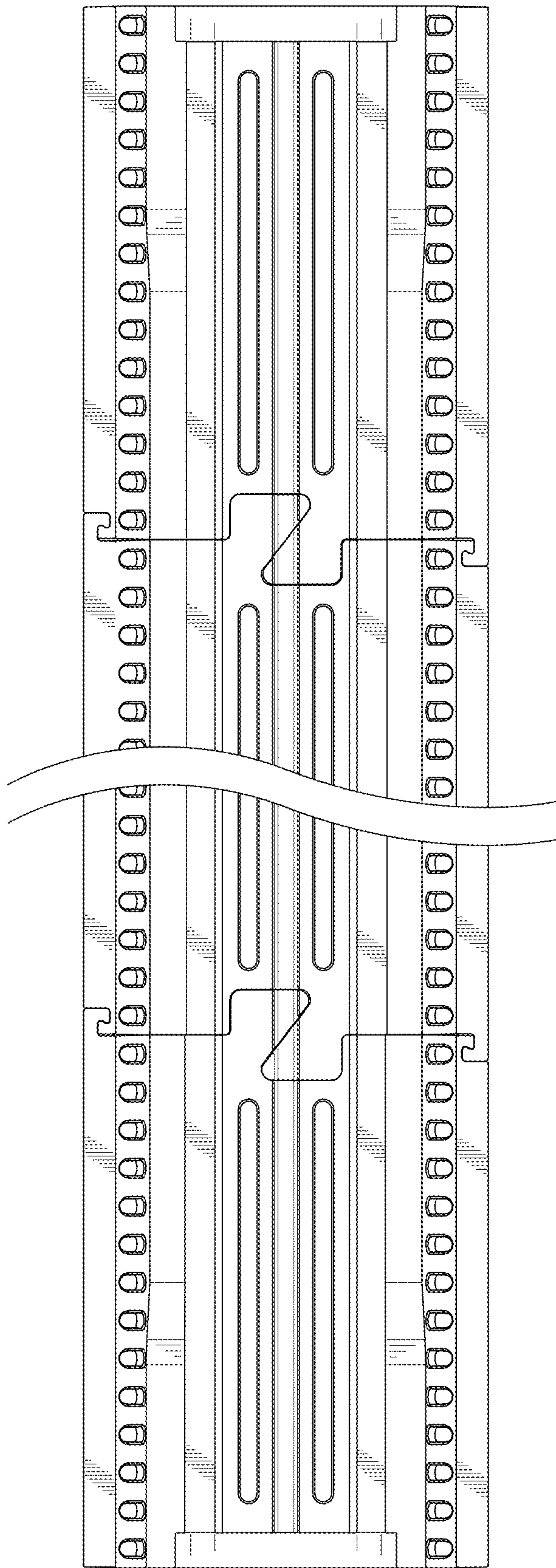


FIG. 4

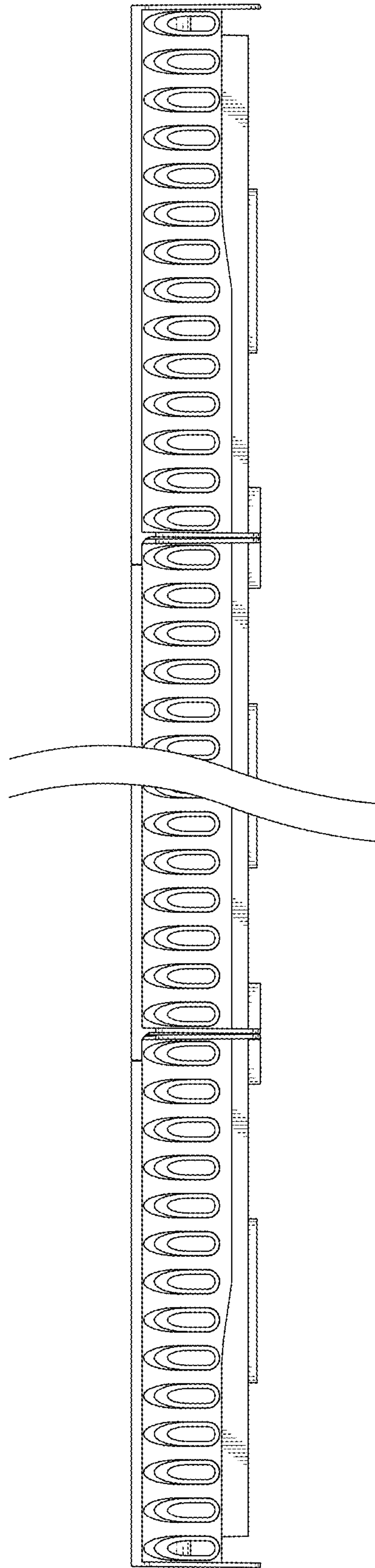


FIG. 5

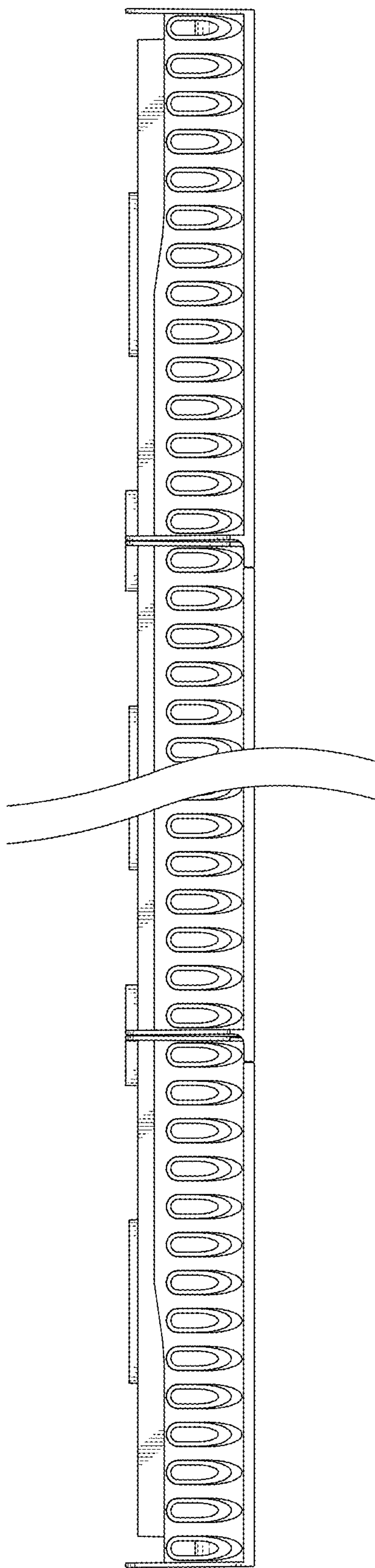


FIG. 6

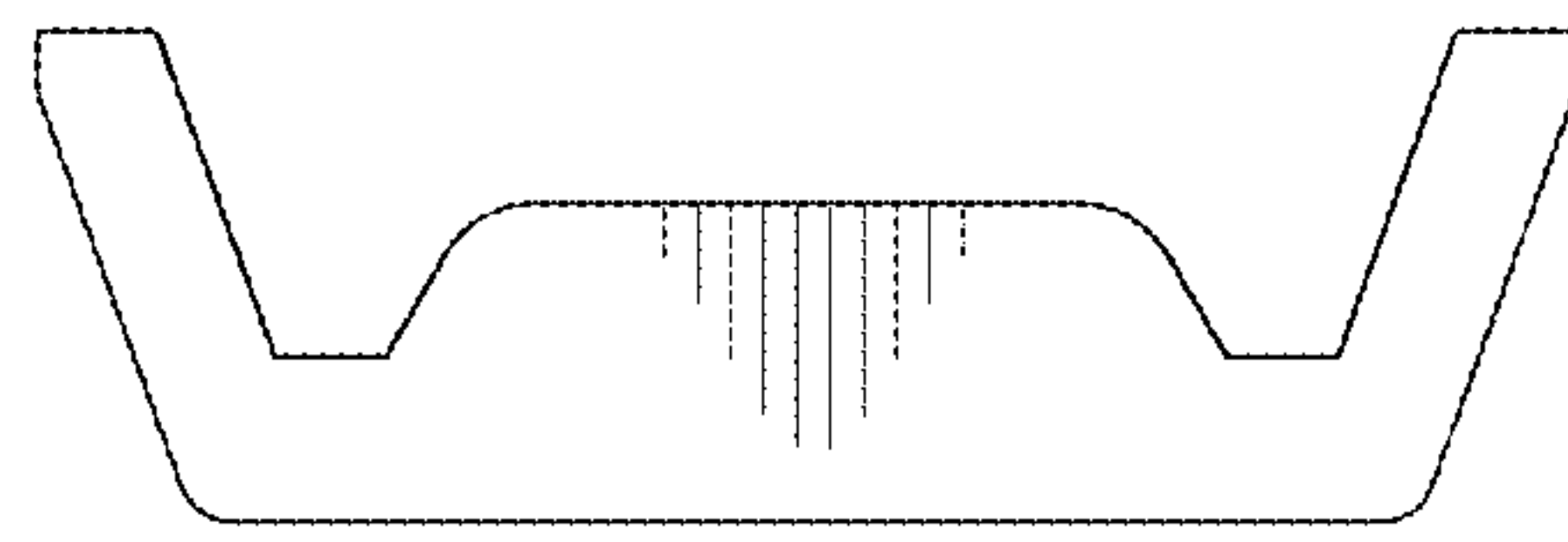


FIG. 7

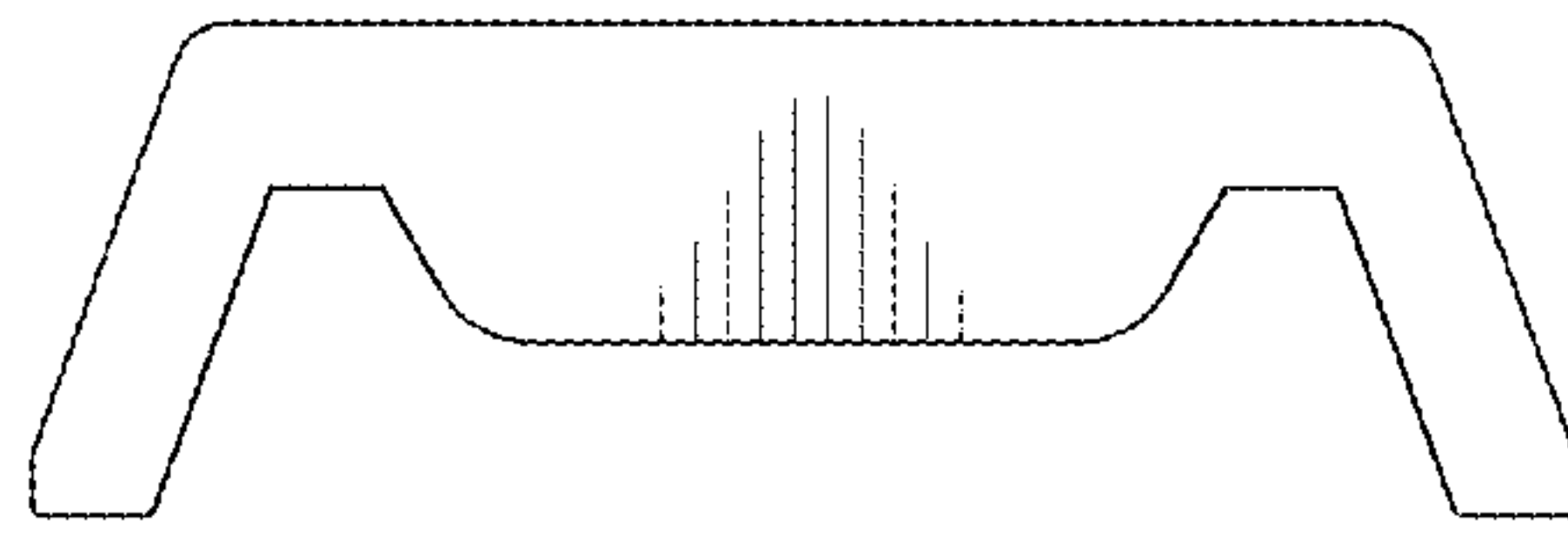


FIG. 8