



US00D883399S

(12) **United States Design Patent** (10) **Patent No.:** **US D883,399 S**
He (45) **Date of Patent:** **** May 5, 2020**

(54) **PNEUMATIC SPINNING TOP**
(71) Applicant: **Shaofu He**, Wenzhou (CN)
(72) Inventor: **Shaofu He**, Wenzhou (CN)
(**) Term: **15 Years**
(21) Appl. No.: **29/718,653**
(22) Filed: **Dec. 27, 2019**

(30) **Foreign Application Priority Data**

Jul. 30, 2019 (CN) 2019 3 0410971

(51) **LOC (12) Cl.** **21-01**
(52) **U.S. Cl.**
USPC **D21/460**
(58) **Field of Classification Search**
USPC 21/436, 441, 443, 444, 455, 460-464
CPC A63H 1/00-32; A63F 9/16
See application file for complete search history.

(56) **References Cited**

U.S. PATENT DOCUMENTS

D687,107 S	7/2013	Kanbar	
D825,007 S *	8/2018	Muraki	D21/460
D825,670 S *	8/2018	Muraki	D21/460
D825,671 S *	8/2018	Horikoshi	D21/460
D825,672 S *	8/2018	Muraki	D21/460
D825,673 S *	8/2018	Matsukawa	D21/460
D827,043 S *	8/2018	Muraki	D21/460
D827,044 S *	8/2018	Horikoshi	D21/460
D827,045 S *	8/2018	Horikoshi	D21/460
D827,046 S *	8/2018	Horikoshi	D21/460
D834,101 S *	11/2018	Horikoshi	D21/460
D834,102 S	11/2018	Muraki et al.	
D834,103 S *	11/2018	Horikoshi	D21/460
D835,208 S *	12/2018	Horikoshi	D21/460
D835,724 S *	12/2018	Muraki	D21/460

D837,304 S *	1/2019	Horikoshi	D21/460
D837,899 S *	1/2019	Narita	D21/460
D839,967 S *	2/2019	Horikoshi	D21/460
D843,489 S *	3/2019	Horikoshi	D21/460
D844,069 S *	3/2019	Horikawa	D21/460
D845,396 S *	4/2019	Horikoshi	D21/460
D846,655 S *	4/2019	Horikawa	D21/460
D846,656 S *	4/2019	Horikoshi	D21/460
D849,846 S *	5/2019	Narita	D21/460
D851,708 S *	6/2019	Saito	D21/460
D854,095 S *	7/2019	Narita	D21/460
D854,096 S *	7/2019	Muraki	D21/460
D854,097 S *	7/2019	Muraki	D21/460
D854,626 S *	7/2019	Horikoshi	D21/460
D855,117 S *	7/2019	Horikoshi	D21/460
D857,108 S *	8/2019	Horikoshi	D21/460
D857,109 S *	8/2019	Muraki	D21/460
D862,607 S *	10/2019	Horikoshi	D21/460
2008/0214088 A1 *	9/2008	Chu	A63H 1/06 446/248
2018/0243661 A1 *	8/2018	Muraki	A63F 9/16
2020/0016503 A1 *	1/2020	Horikoshi	A63H 1/04

* cited by examiner

Primary Examiner — Patricia A Palasik

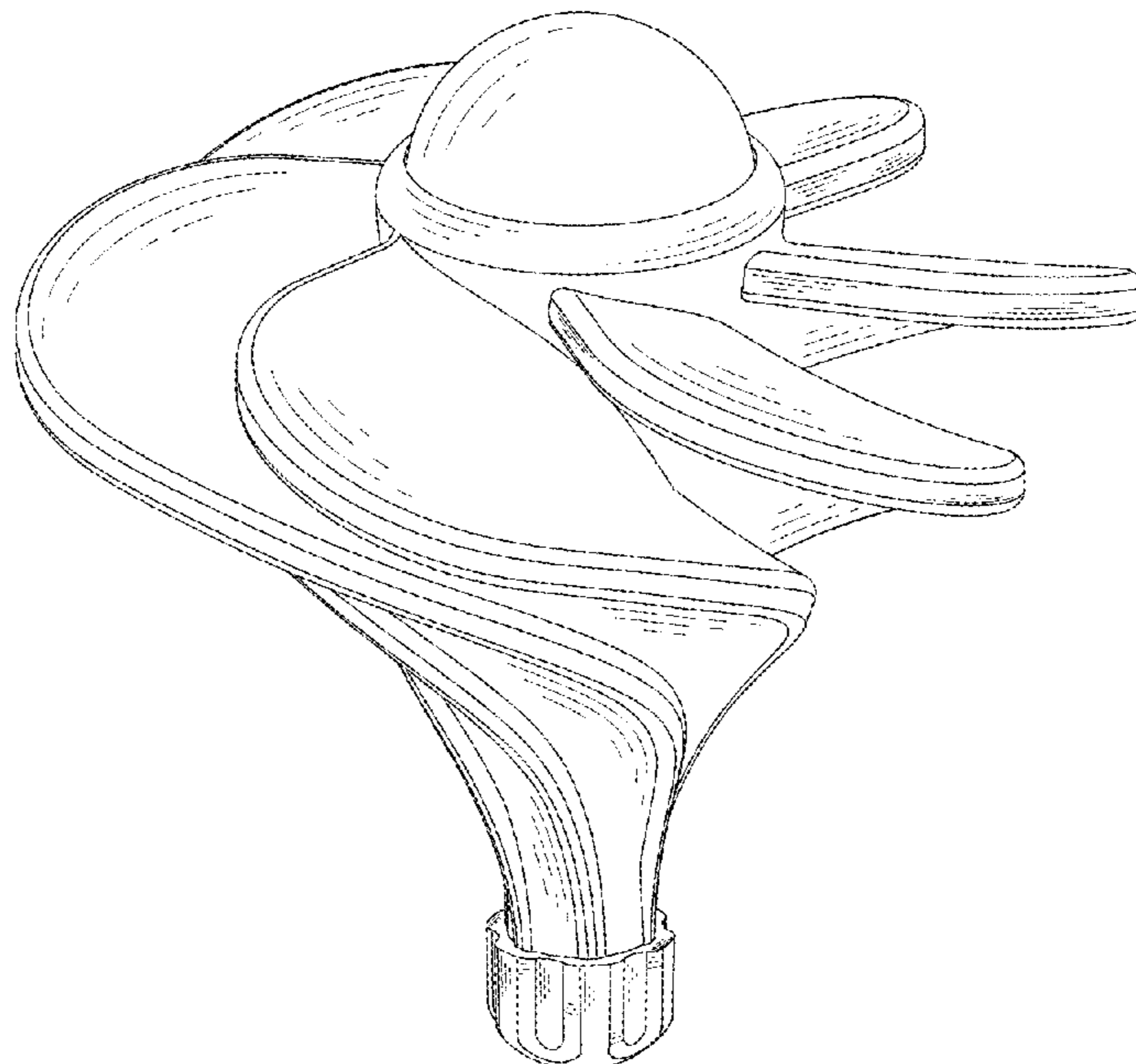
(57) **CLAIM**

The ornamental design for a pneumatic spinning top, as shown and described.

DESCRIPTION

FIG. 1 is a perspective view of the pneumatic spinning top showing my new design;
FIG. 2 is a front elevational view thereof;
FIG. 3 is a rear elevational view thereof;
FIG. 4 is a left side elevational view thereof;
FIG. 5 is a right side elevational view thereof;
FIG. 6 is a top plan view thereof; and,
FIG. 7 is a bottom plan view thereof.

1 Claim, 7 Drawing Sheets



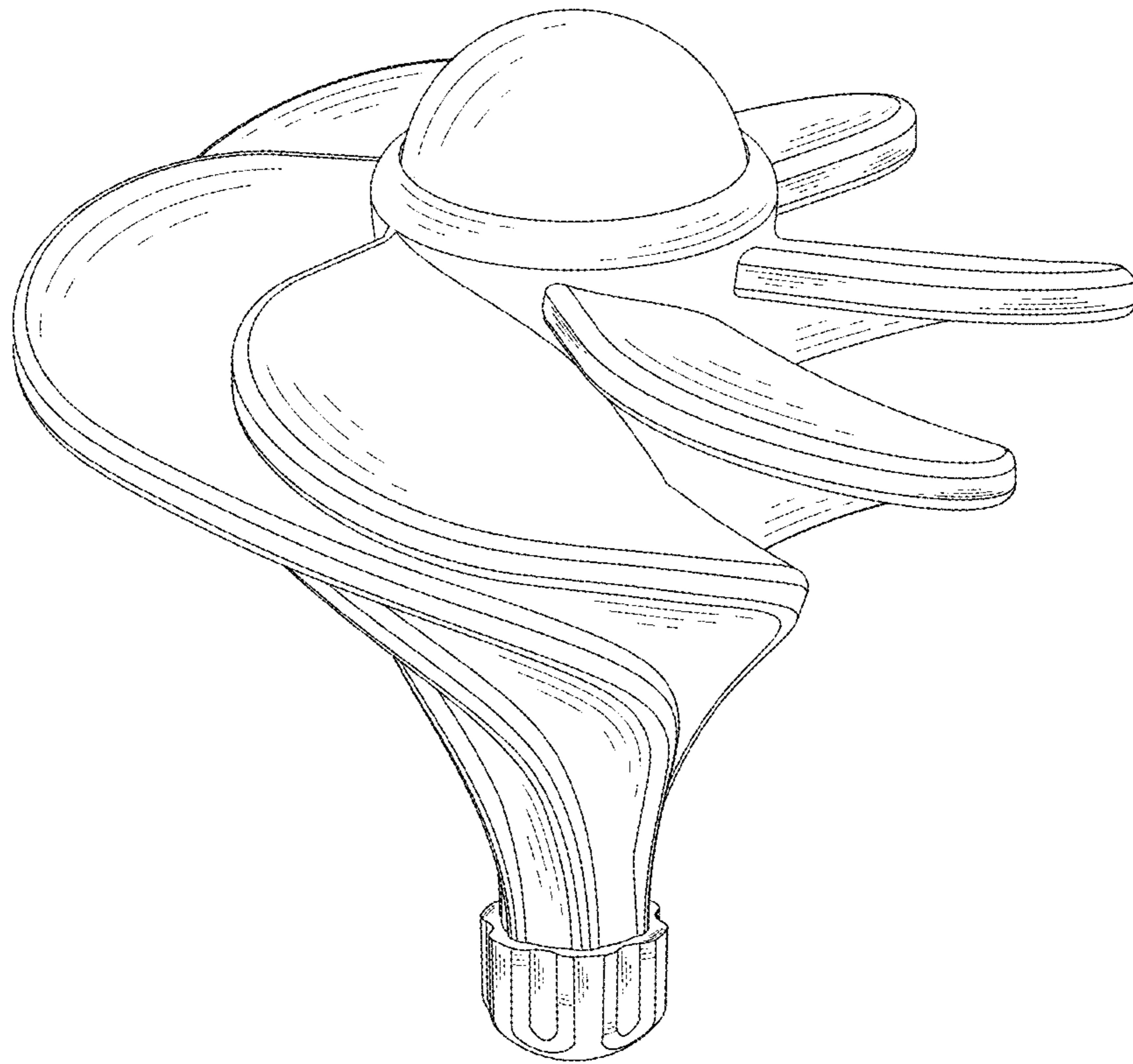


FIG. 1

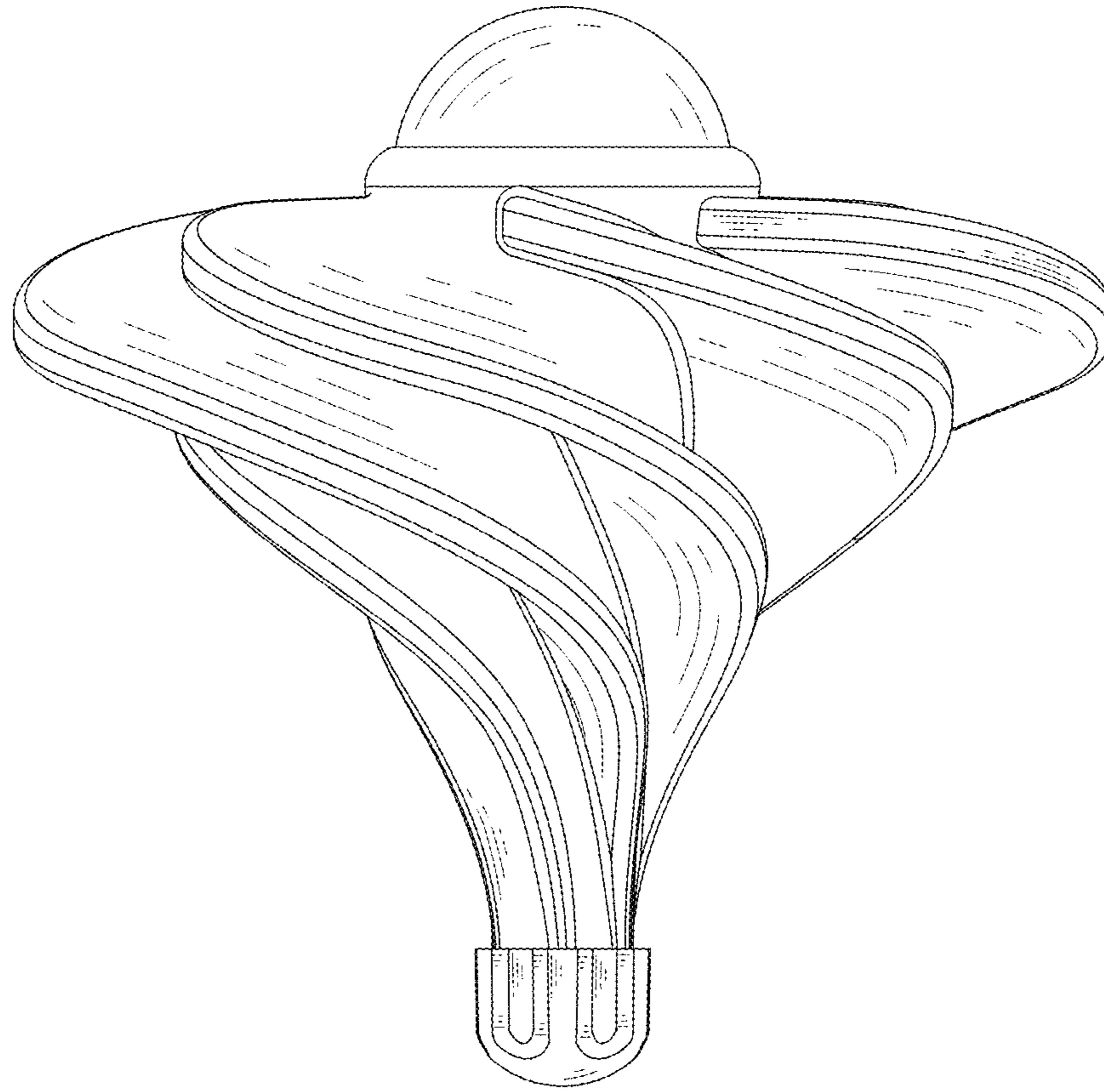


FIG. 2

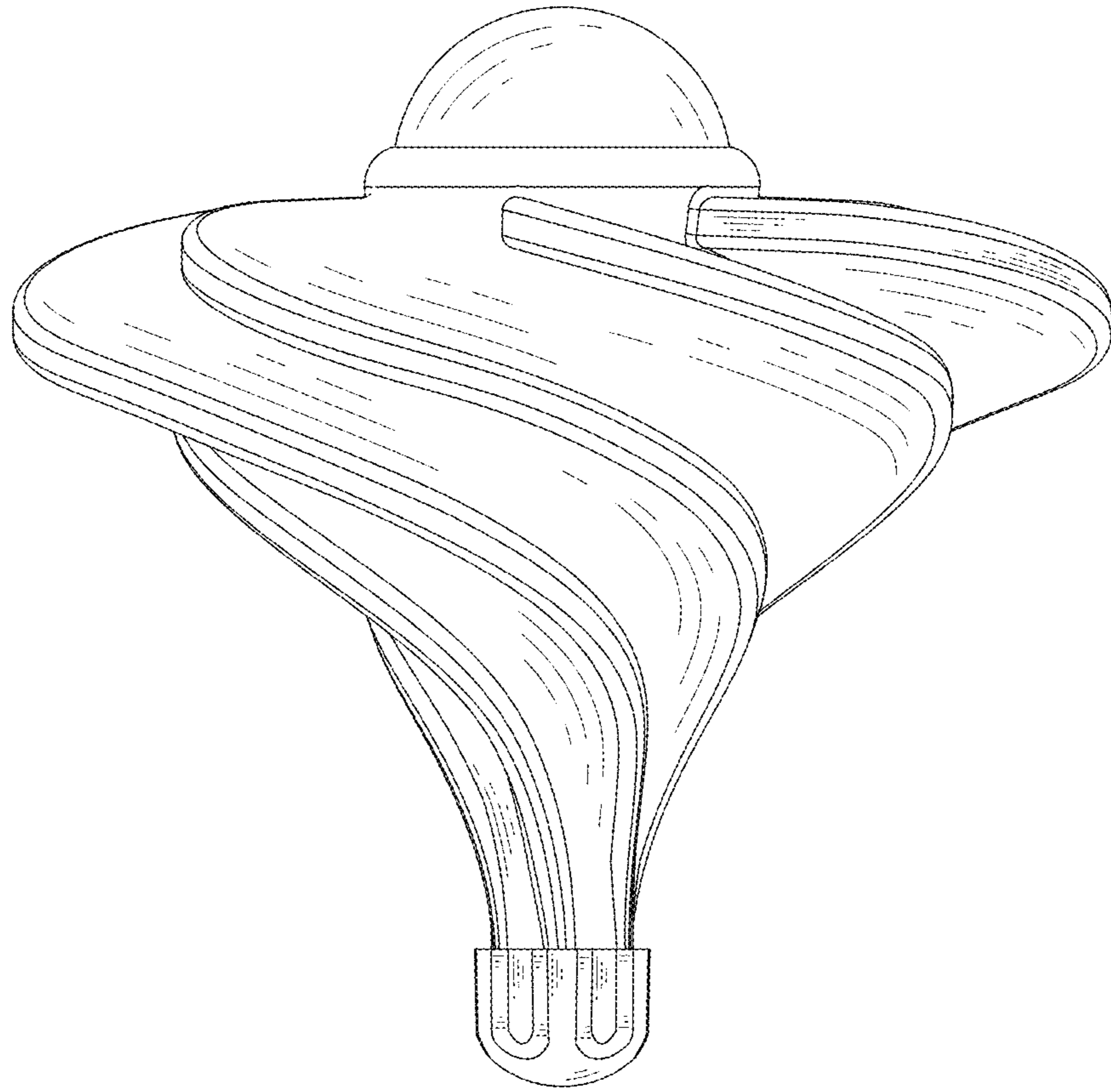


FIG. 3

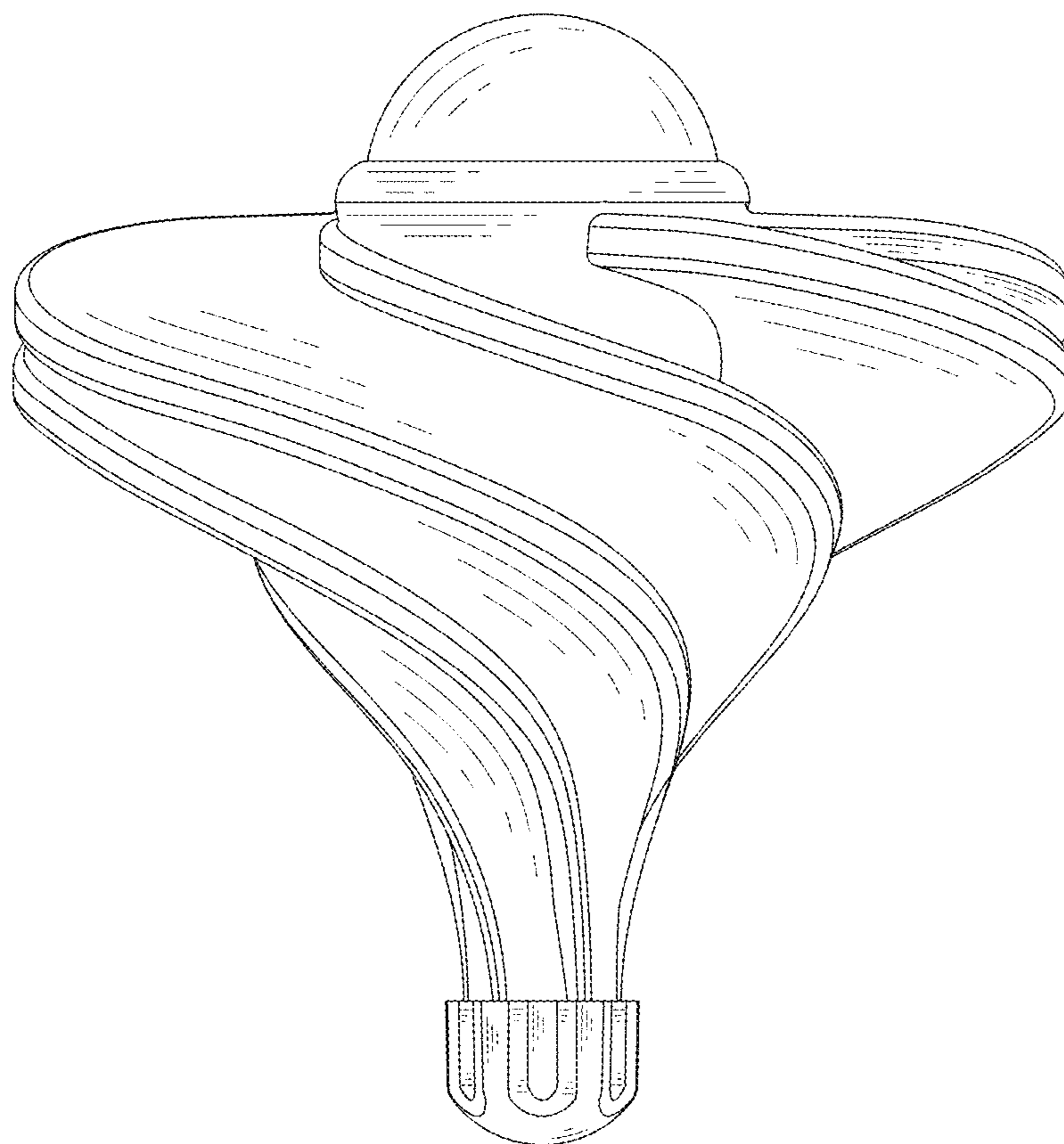


FIG. 4

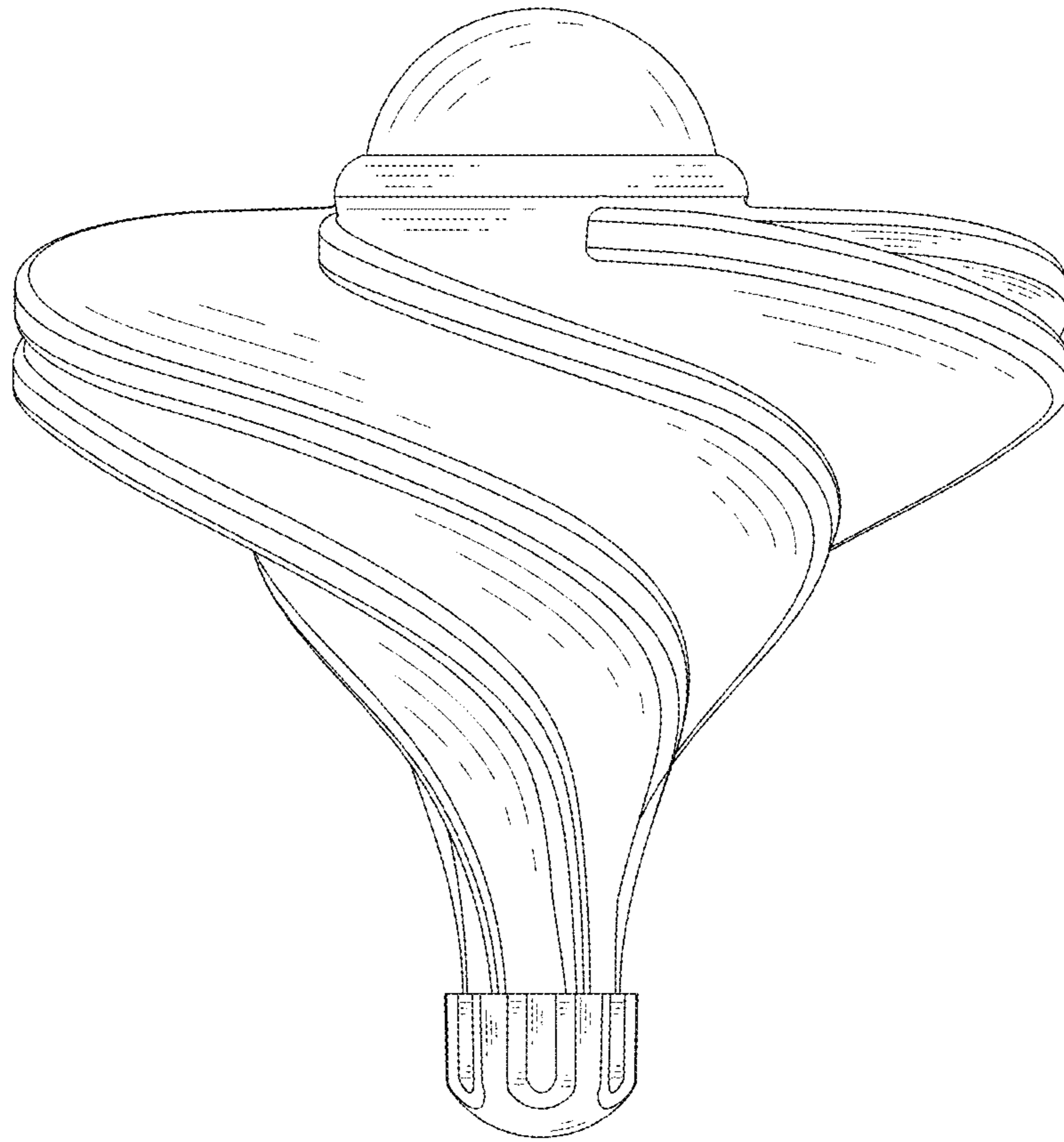


FIG. 5

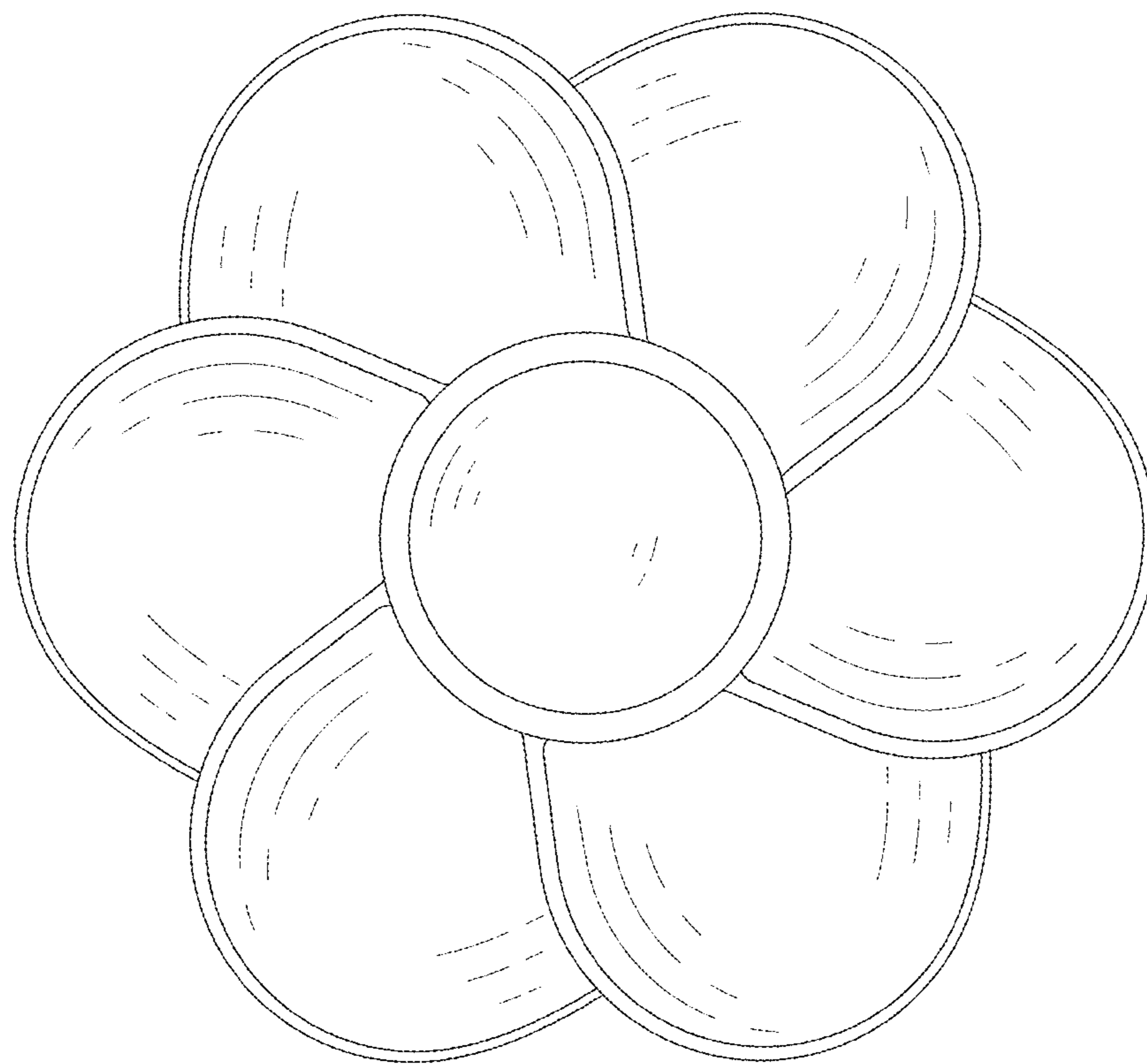


FIG. 6

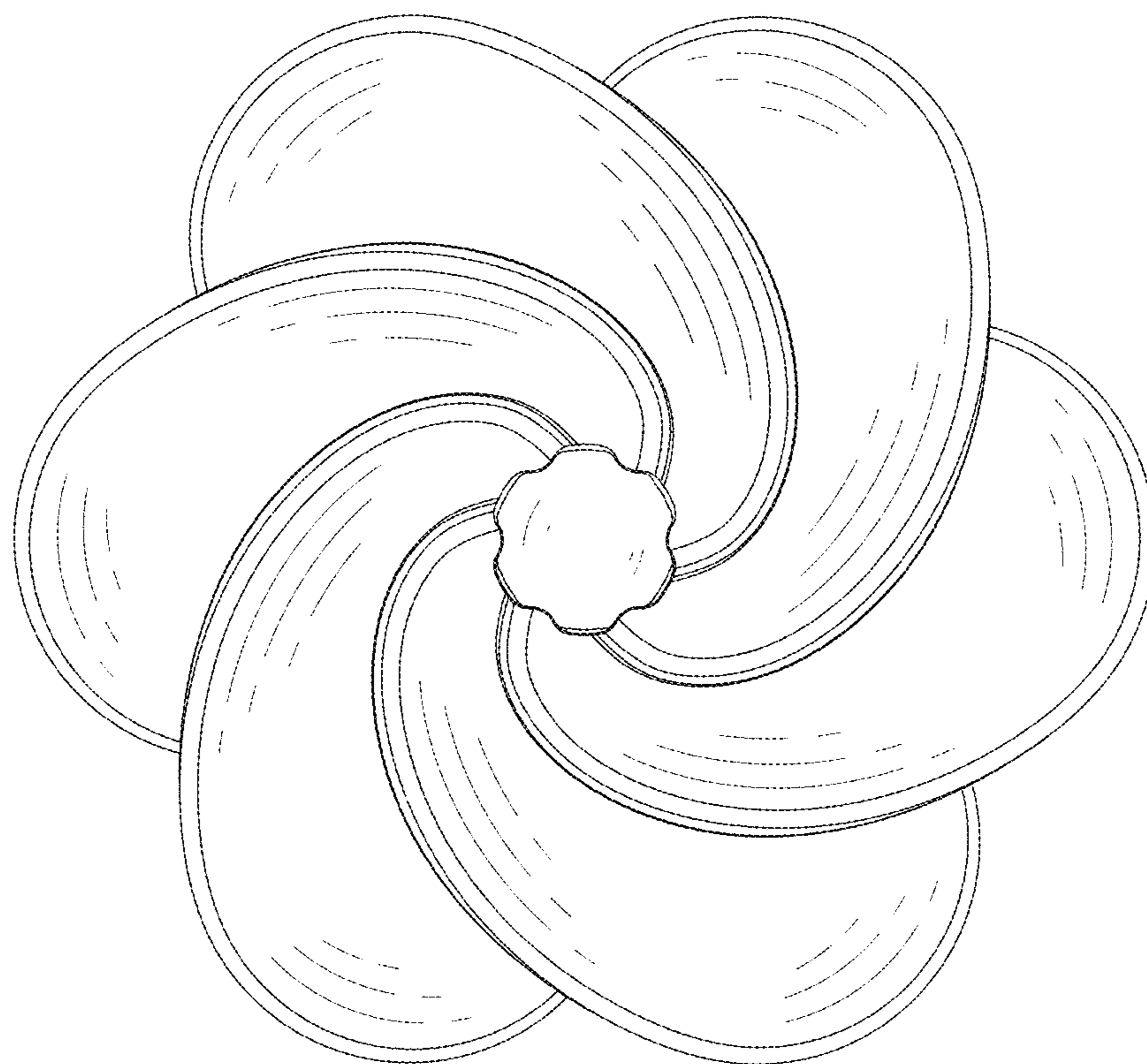


FIG. 7