



US00D883397S

(12) **United States Design Patent** (10) **Patent No.:** **US D883,397 S**
Xu (45) **Date of Patent:** **** May 5, 2020**

(54) **TOY CAR**

(71) Applicant: **Jiajia Xu**, Shantou (CN)

(72) Inventor: **Jiajia Xu**, Shantou (CN)

(**) Term: **15 Years**

(21) Appl. No.: **29/637,200**

(22) Filed: **Feb. 14, 2018**

(51) **LOC (12) Cl.** **21-01**

(52) **U.S. Cl.**

USPC **D21/424**; D21/533; D21/548; D21/549

(58) **Field of Classification Search**

USPC D12/86, 88, 90-92, 164, 173, 184-186,
D12/190, 196; D21/419, 421, 423-426,
D21/433-434, 548, 549, 550, 552, 559,
D21/561

CPC A63H 17/26; A63H 17/262; A63H 17/264;
A63H 17/266; A63H 17/36; A63H 17/38;
A63H 29/00; A63H 29/22; A63H 29/24;
A63H 30/04

See application file for complete search history.

(56) **References Cited**

U.S. PATENT DOCUMENTS

D428,076 S * 7/2000 Wise D21/548
D454,602 S * 3/2002 Tse D21/552
D717,886 S * 11/2014 Mimlitch, III D21/550
D721,769 S * 1/2015 Johnson D21/552

D771,202 S * 11/2016 Gan D21/552
D771,203 S * 11/2016 Gan D21/552
D827,037 S * 8/2018 Exley D21/433
D827,038 S * 8/2018 Exley D21/434
D835,207 S * 12/2018 Exley D21/424
2012/0077411 A1* 3/2012 Amireh A63H 17/32
446/456

* cited by examiner

Primary Examiner — Manpreet S Matharu

Assistant Examiner — Keith J Wilson

(74) *Attorney, Agent, or Firm* — Law Offices of Steven
W. Weinrieb

(57) **CLAIM**

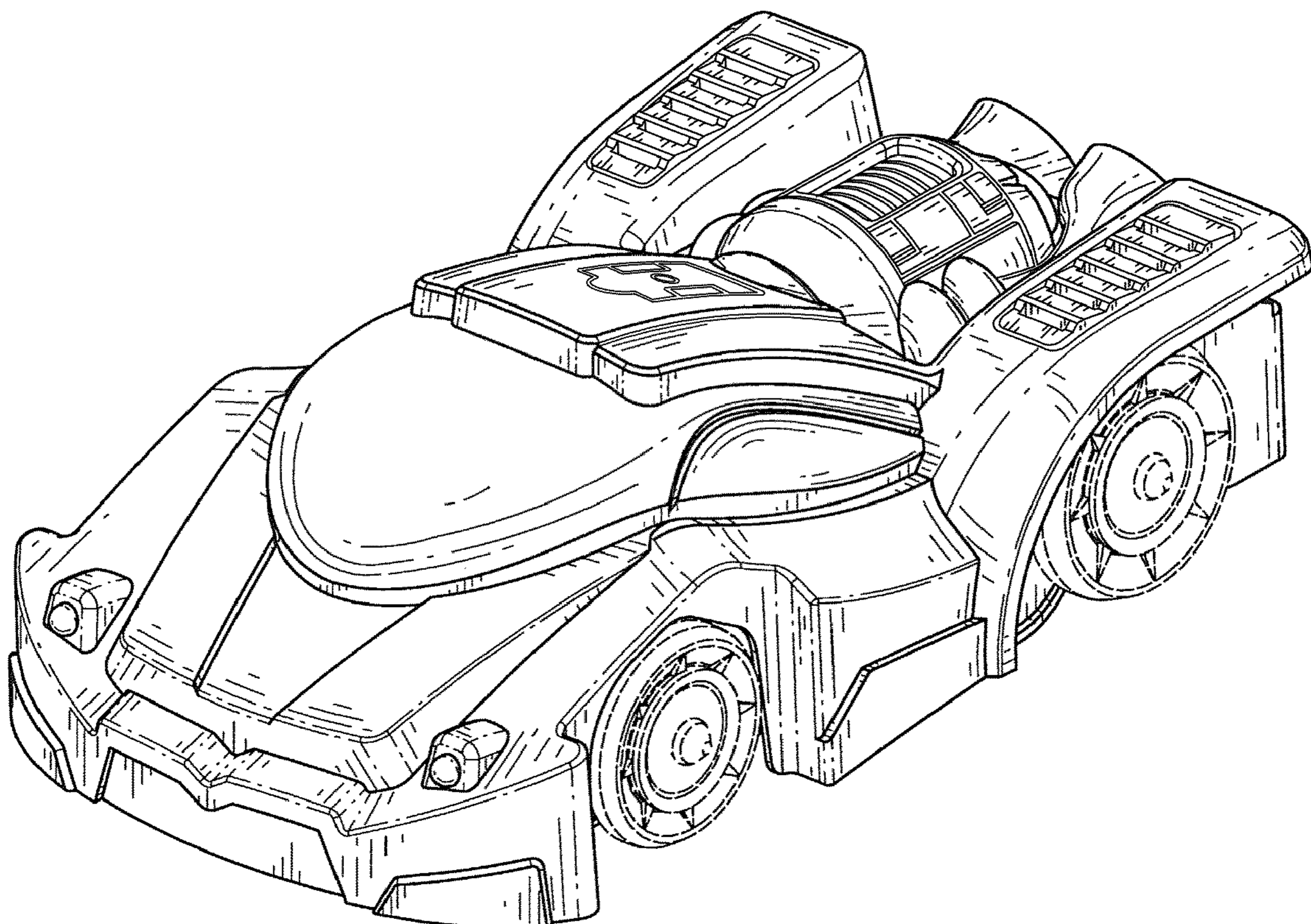
The ornamental design for a toy car, as shown and described.

DESCRIPTION

FIG. 1 is a front, left side, top perspective view of the toy car showing my new design;
FIG. 2 is a rear, right side, bottom perspective view thereof;
FIG. 3 is a top plan view thereof;
FIG. 4 is a bottom plan view thereof;
FIG. 5 is a left side elevational view thereof;
FIG. 6 is a right side elevational view thereof;
FIG. 7 is a front elevational view thereof; and,
FIG. 8 is a rear elevational view thereof.

The broken lines represent portions of a toy car which form no part of the claimed design.

1 Claim, 8 Drawing Sheets



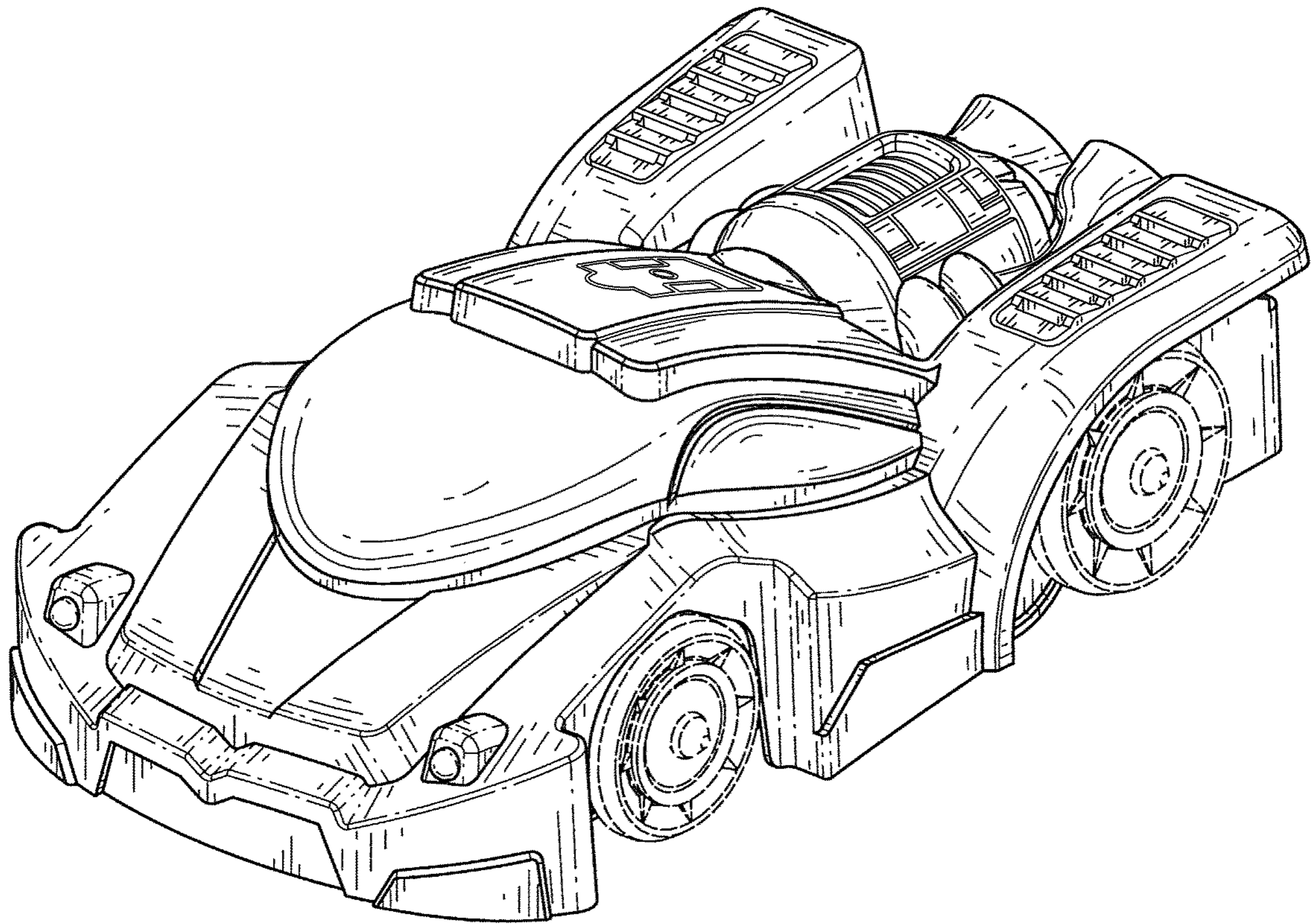


FIG. 1

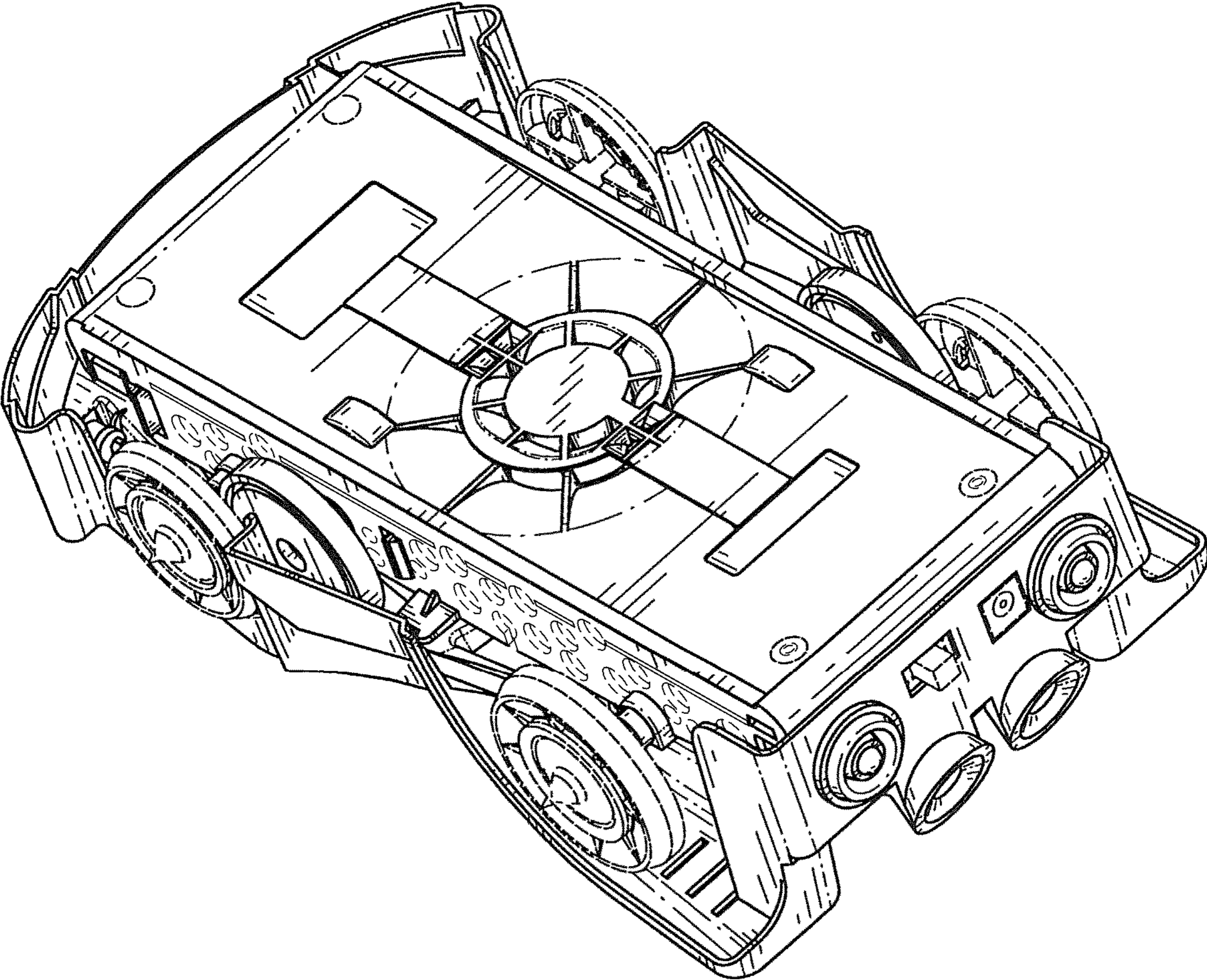


FIG. 2

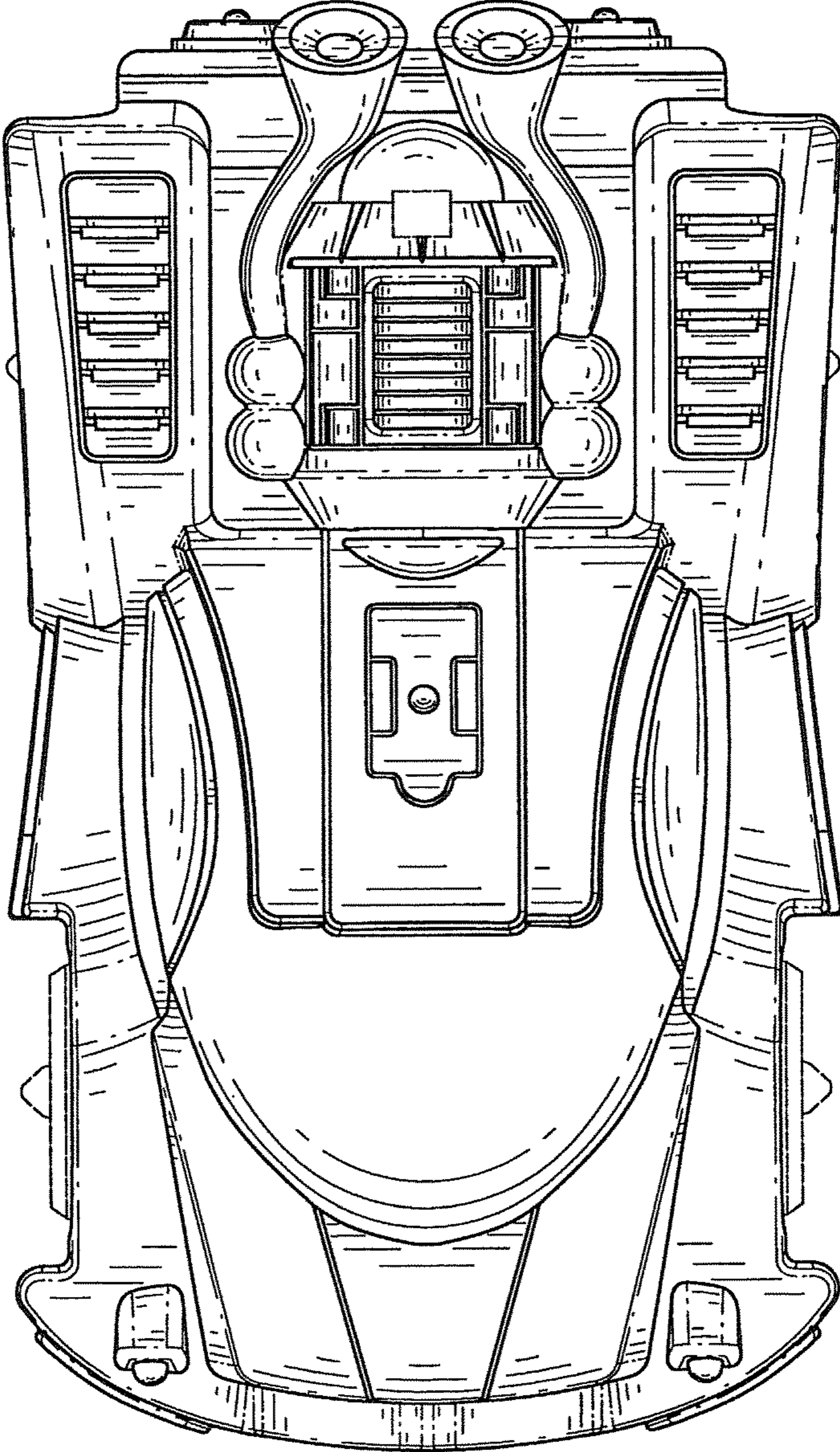


FIG. 3

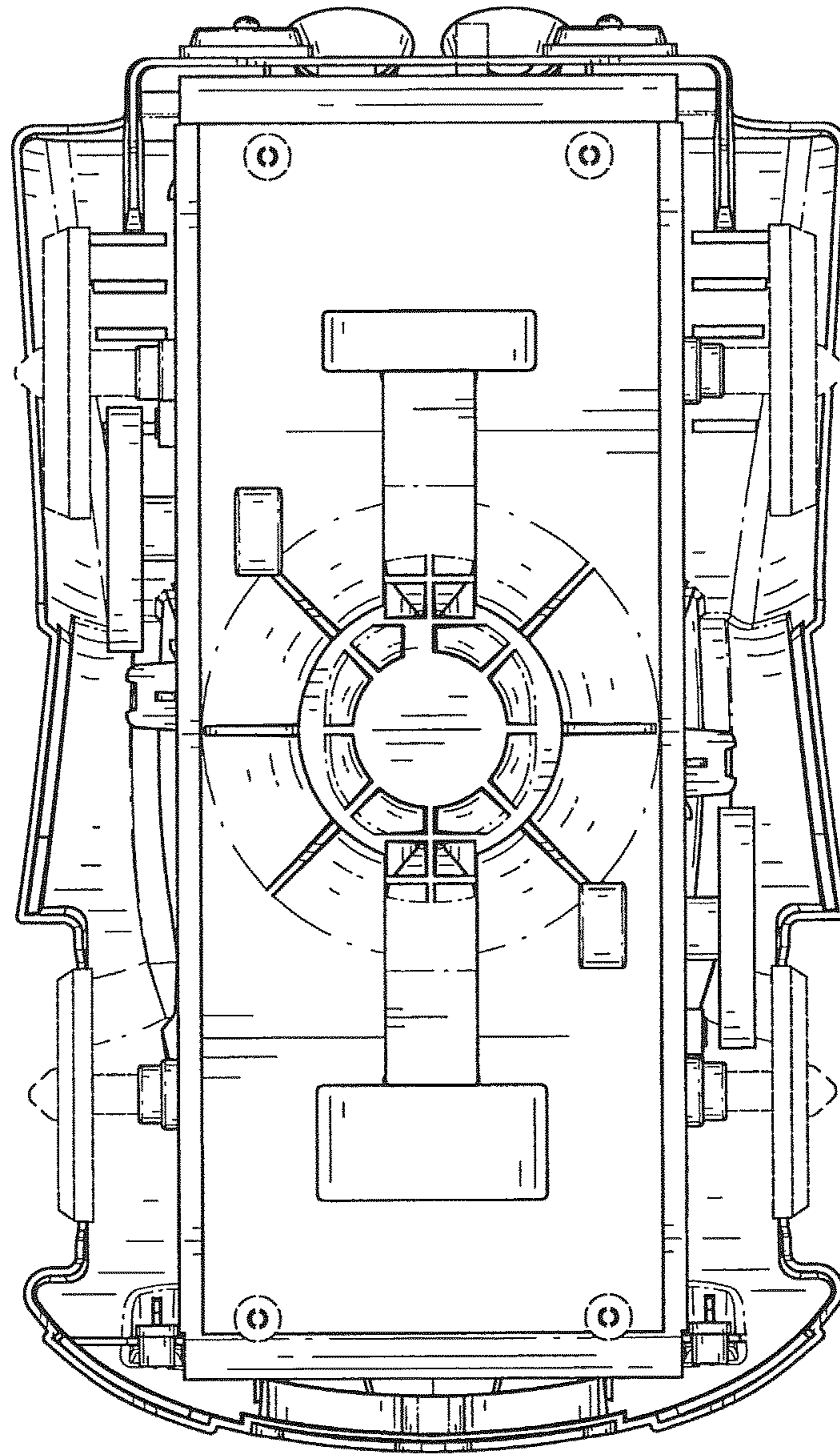


FIG. 4

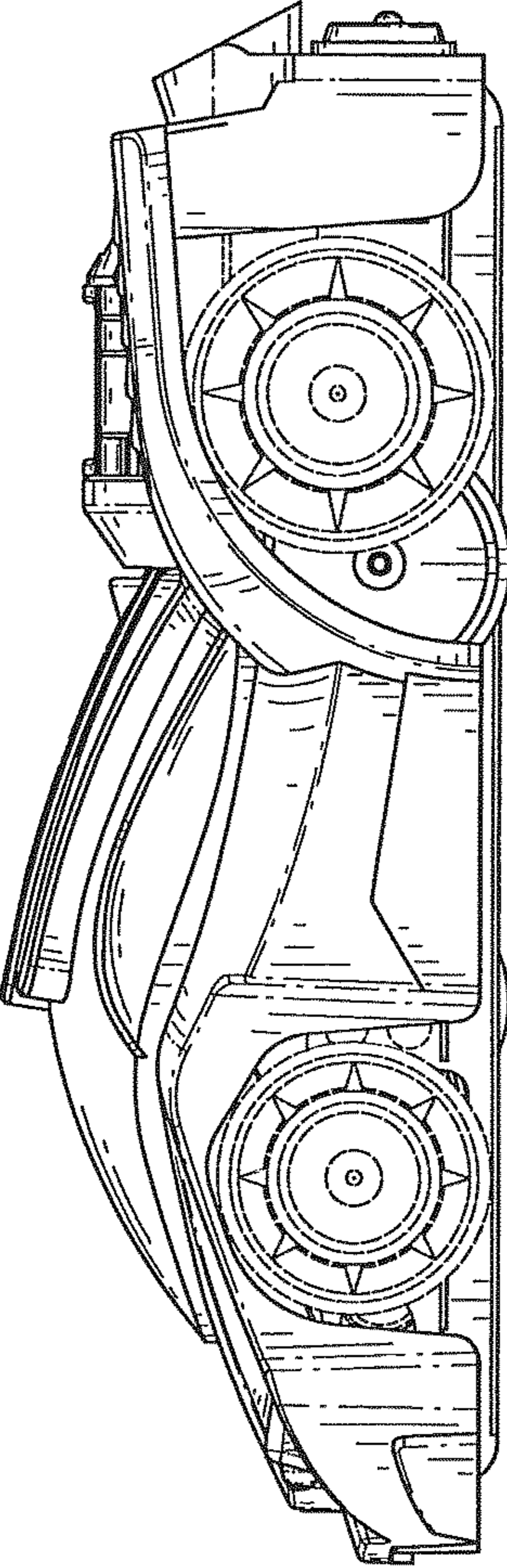


FIG. 5

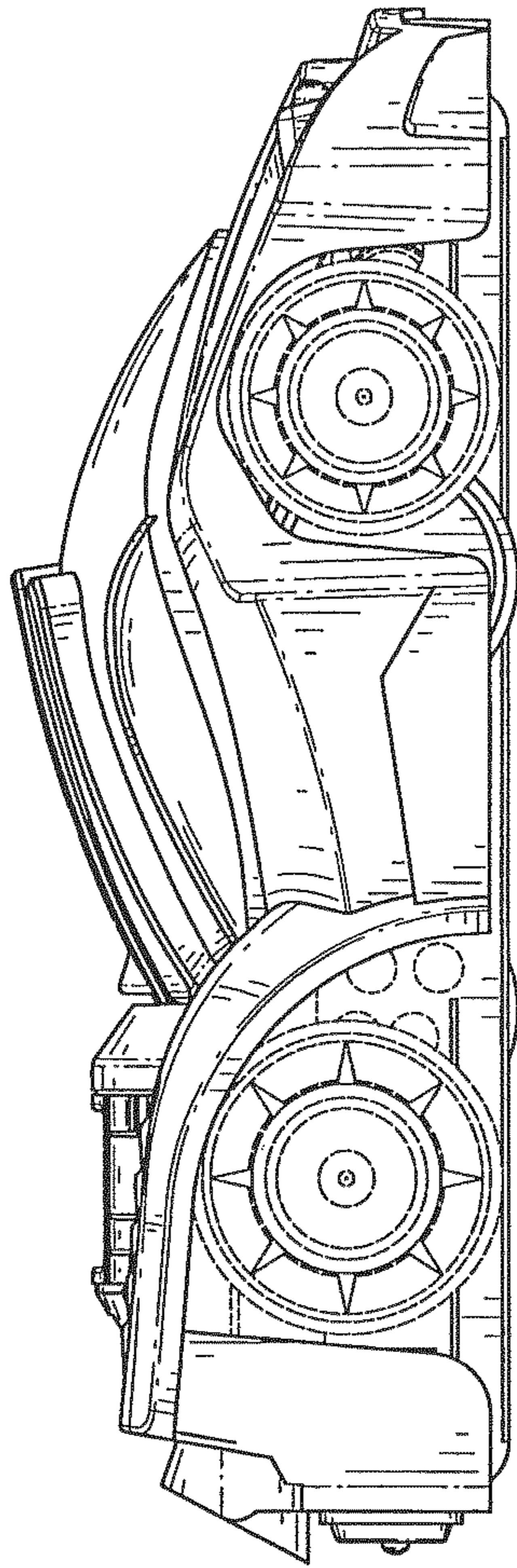


FIG. 6

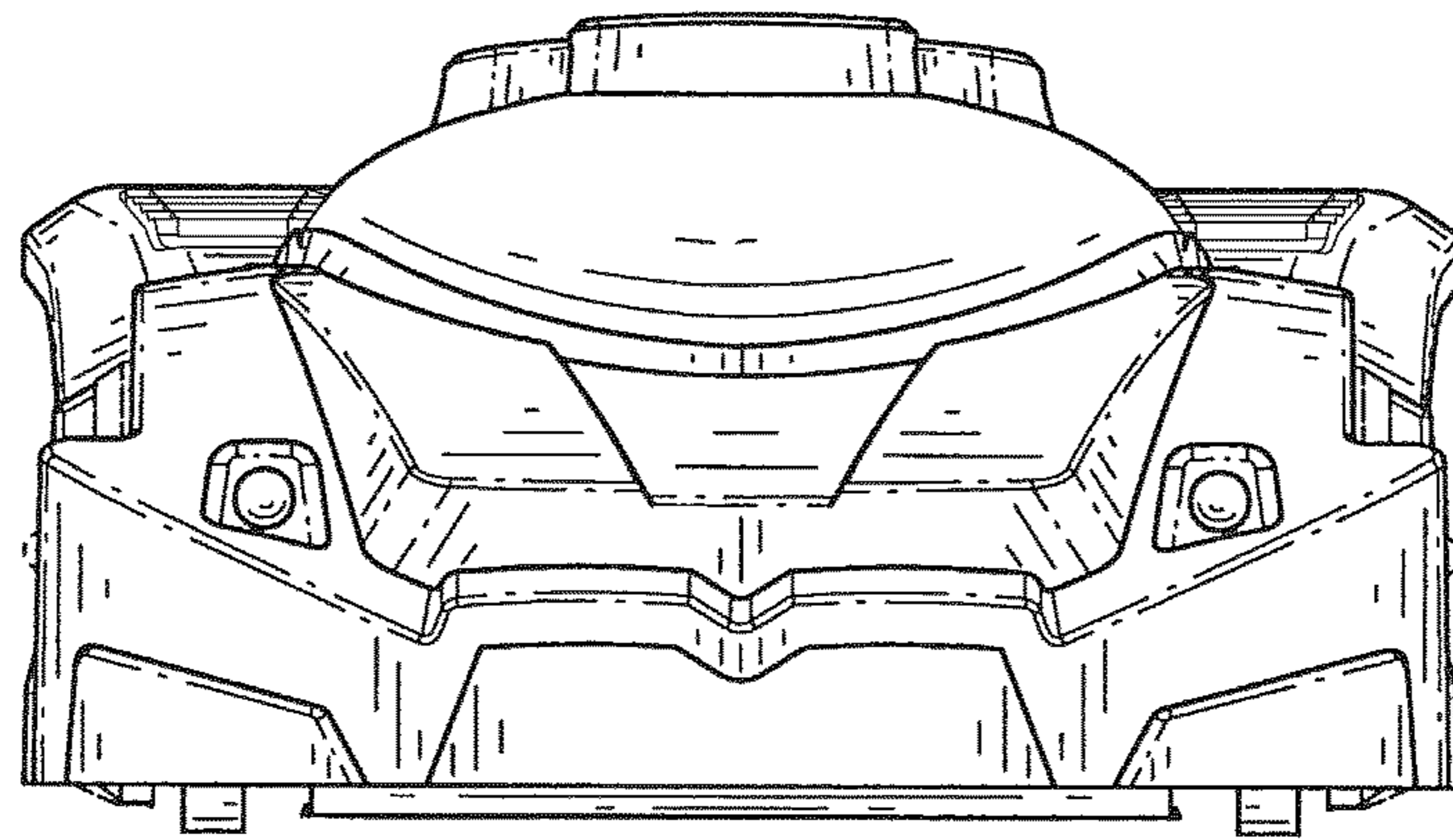


FIG. 7

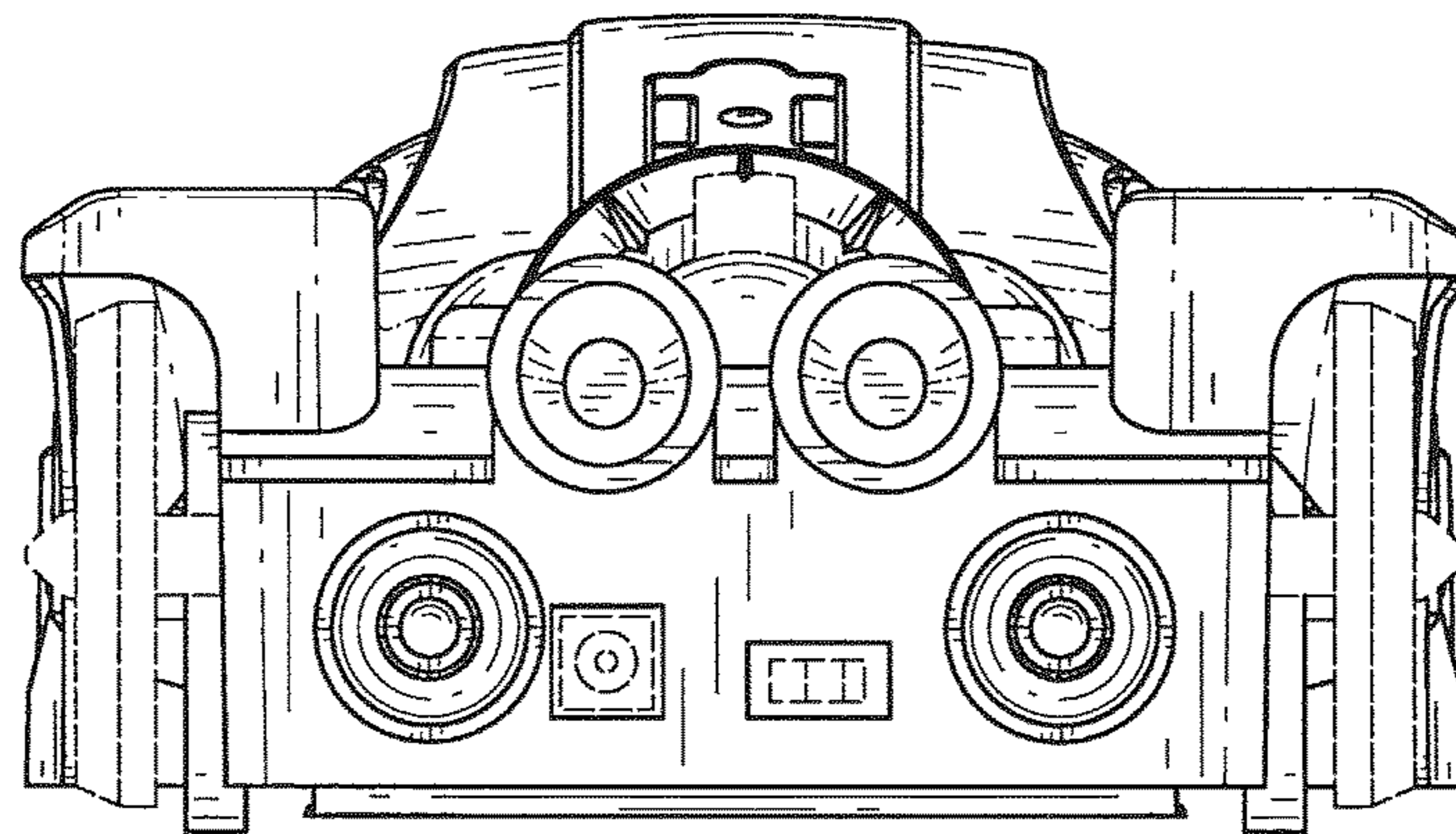


FIG. 8