



US00D883394S

(12) **United States Design Patent**
Spady

(10) **Patent No.:** **US D883,394 S**

(45) **Date of Patent:** **** May 5, 2020**

(54) **INFLATABLE FRAME**

(71) Applicant: **Brandon Spady**, Newport News, VA
(US)

(72) Inventor: **Brandon Spady**, Newport News, VA
(US)

(**) Term: **15 Years**

(21) Appl. No.: **29/666,714**

(22) Filed: **Oct. 15, 2018**

(51) **LOC (12) Cl.** **21-01**

(52) **U.S. Cl.**
USPC **D21/397**

(58) **Field of Classification Search**
USPC D21/397; D7/707
CPC B24B 31/14; A63D 15/005; F25D 3/08;
A63F 7/0017; A63B 67/002; A63B 63/08
See application file for complete search history.

(56) **References Cited**

U.S. PATENT DOCUMENTS

2,405,677 A * 8/1946 Volpe A63D 15/005
473/40
3,375,615 A * 4/1968 Ricker B24B 31/14
451/330

7,805,959 B2 * 10/2010 Webb F25D 3/08
62/457.3

8,905,406 B2 * 12/2014 Brown A63B 63/08
273/342

D823,654 S * 7/2018 Harris D7/707

10,471,598 B1 * 11/2019 Fragola A63B 67/002

2005/0029747 A1 * 2/2005 Grayson A63F 7/0017
273/342

* cited by examiner

Primary Examiner — George D. Kirschbaum

(74) *Attorney, Agent, or Firm* — Pierce McCoy, PLLC;
Bryce D. Miracle

(57) **CLAIM**

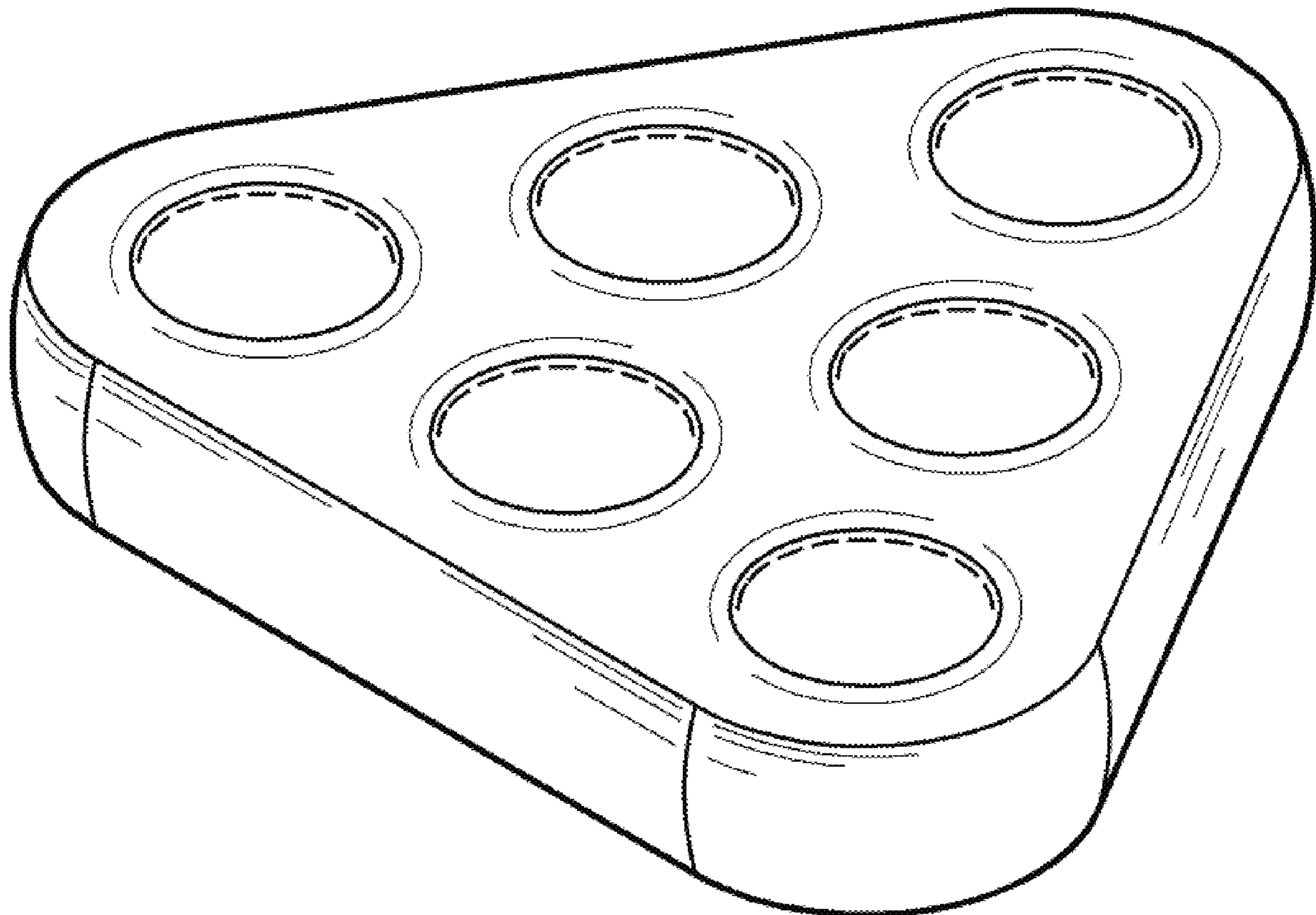
The ornamental design for an inflatable frame, substantially
as shown and described.

DESCRIPTION

FIG. 1 is a perspective view of a version of the inflatable
frame showing the new design;
FIG. 2 is a top plan view thereof;
FIG. 3 is a bottom plan view thereof;
FIG. 4 is a front elevation view thereof; and,
FIG. 5 is a rear elevation view thereof.

The broken lines shown in the drawings represent environ-
mental matter and form no part of the claimed design.

1 Claim, 1 Drawing Sheet



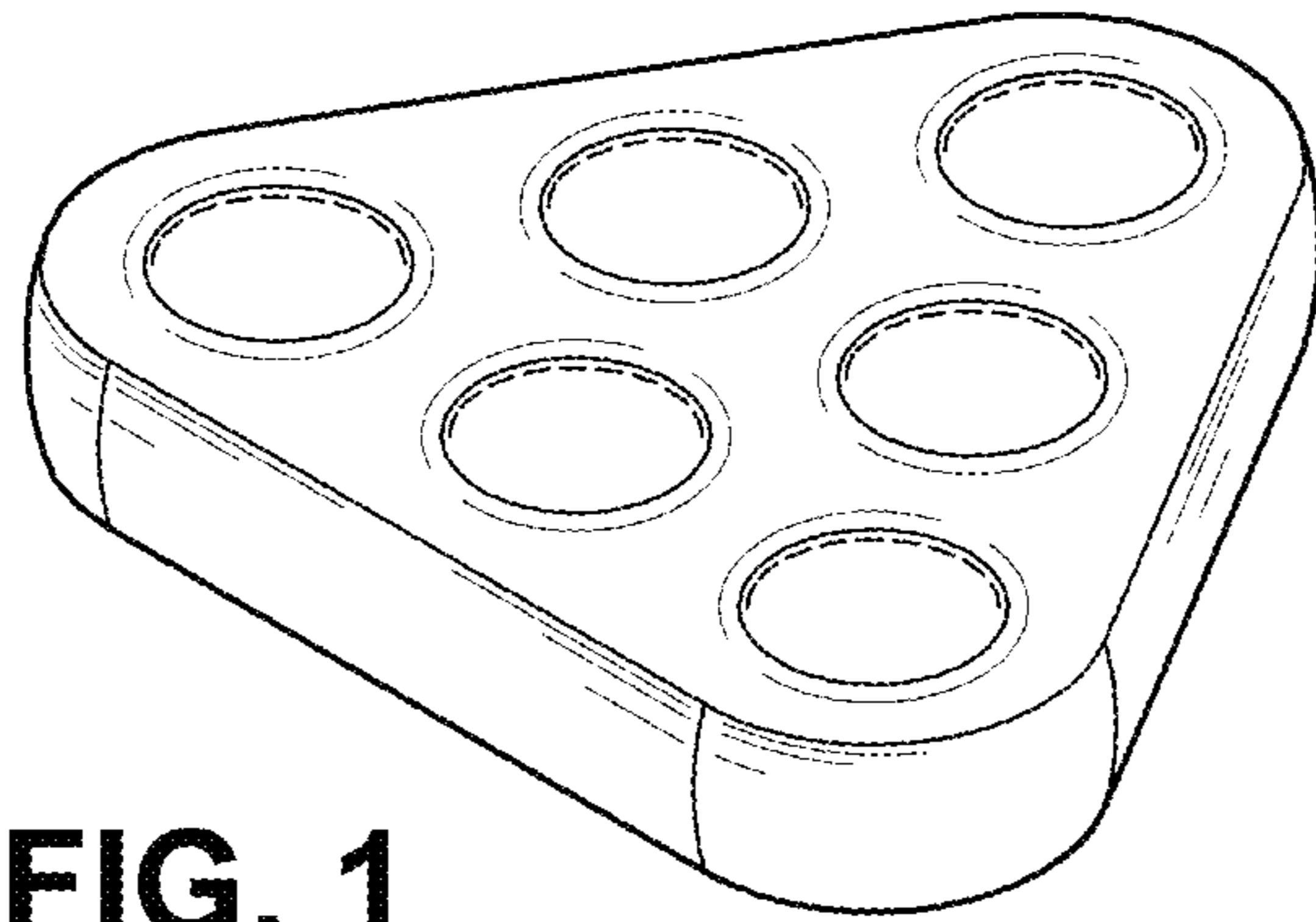


FIG. 1

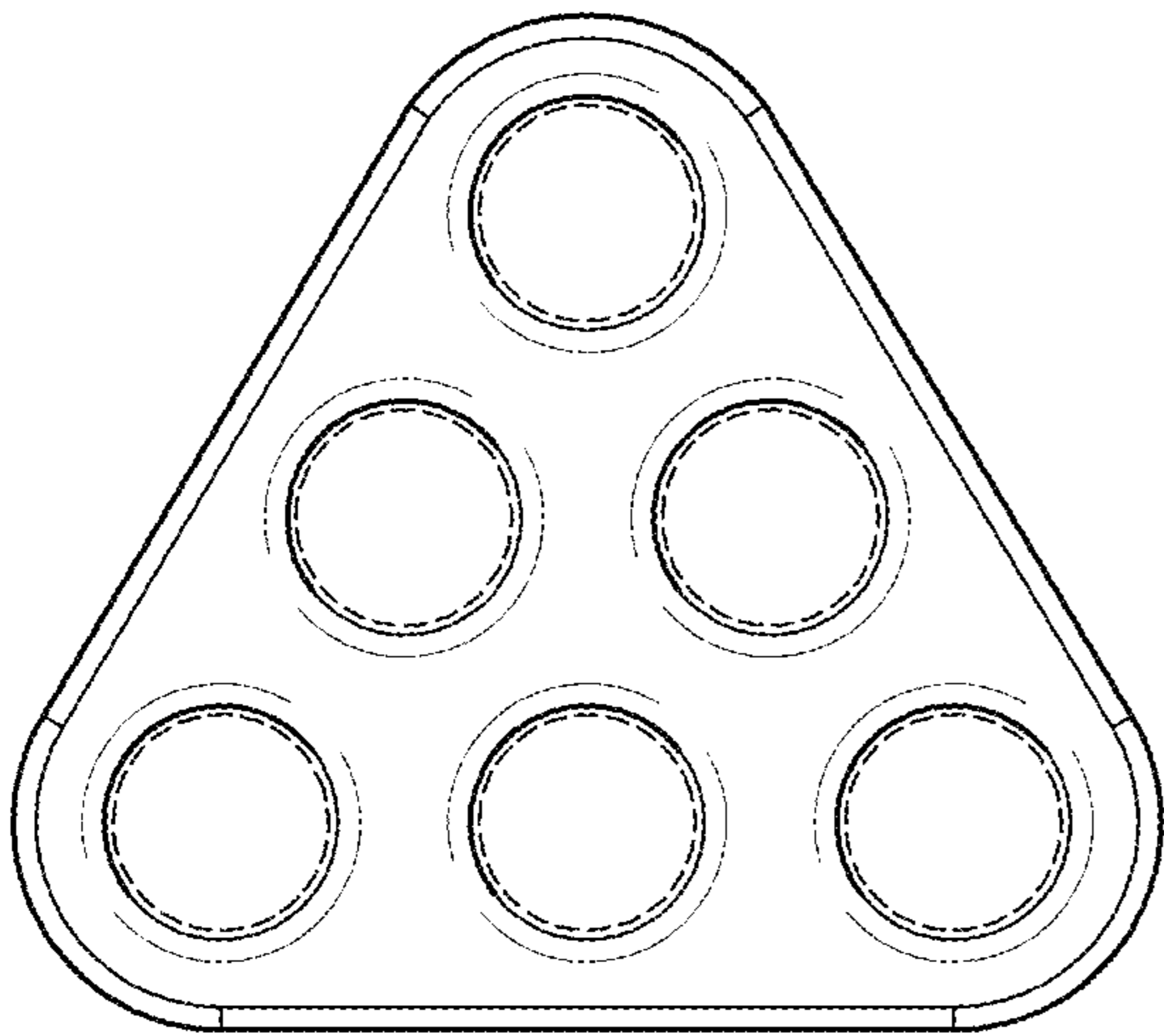


FIG. 2

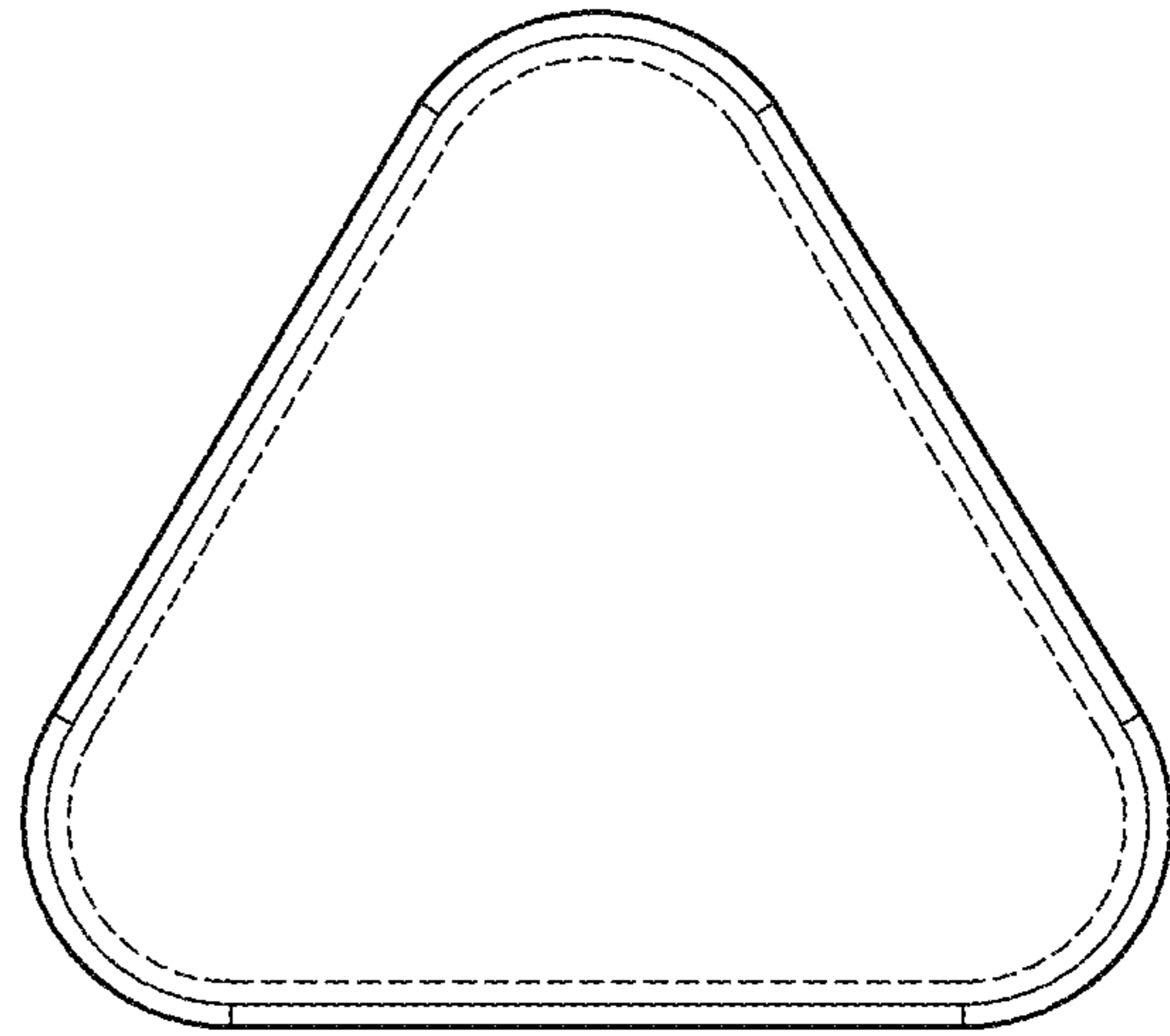


FIG. 3



FIG. 4



FIG. 5